

# CONDTRON

**EN** Cross line laser  
**RU** Лазерный нивелир



## NEO G100

**EN** User manual 1  
**RU** Руководство по эксплуатации 2

## Cross line laser NEO G100

User manual

### SAFETY INSTRUCTIONS

**Attention!** This user manual is an essential part of this product.

The user manual should be read carefully before you use the product for the first time. If the product is given to someone for temporary use, be sure to enclose user manual to it.

- Do not misuse the product
- Do not remove warning signs and protect them from abrasion, because they contain information about safe operation of the product.



Laser radiation! Do not stare into beam  
Class 2 laser  
<1 mW 520 nm  
EN60825-1: 2007-03

-Do not look into the laser beam or its reflection, with unprotected eye or through an optical instrument. Do not point the laser beam at people or animals without the need. You can dazzle them.

-To protect your eyes close them or look aside.  
- Always install the product in such a way, so that laser line is below or above eye level.

- Do not let unauthorized people enter the zone of product operation.

- Store the product beyond reach of children and unauthorized people.

- It is prohibited to disassemble or repair the product yourself. Entrust product repair to qualified personnel and use original spare parts only.

- Do not use the product in explosive environment, close to flammable materials.

- Laser intensive glasses are used for better recognition of the laser beam, do not use them for other purposes. Laser glasses do not protect from laser radiation as well as ultraviolet radiation and reduce color perception.

- Avoid heating the batteries to avoid the risk of explosion and electrolyte leakage. In case of liquid contact with skin, wash it immediately with soap and water. In case of contact with eyes, flush with clean water during 10 minutes and consult the doctor.

### PRODUCT DESCRIPTION

Cross line laser NEO G100 CONDTRON is intended to build and check vertical and horizontal planes and lines.

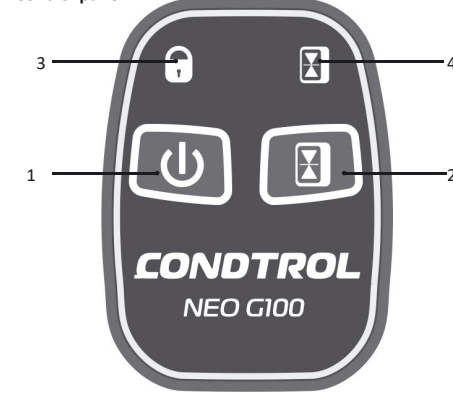
The product has 2 operating modes:

- locked compensator, to build inclined planes and lines;
- automatic leveling to project horizontal and vertical planes and lines. Leveling function allows to automatically compensate irregularities within self-leveling range of  $\pm 4,5^\circ$ .



- 1 - Laser lines exit window
- 2 - Control panel
- 3 - Battery cover
- 4 - 5/8" mounting thread
- 5 - Compensator lock
- 6 - Mounting screw hole
- 7 - Mounting clip
- 8 - Belt mount hole
- 9 - Power jack

### Control panel



- 1 - Switch on/off laser lines
- 2 - Switch on/off pulse mode
- 3 - Indication of leveling mode / Indication of locked pendulum / Indication of low battery
- 4 - Indication of pulse mode

### TECHNICAL SPECIFICATIONS

Working range/with receiver	20 m / 40 m*
Self-leveling accuracy	$\pm 0,3$ mm/m
Self-leveling range	$\pm 4,5^\circ$
Operating temperature	0°C ... +50°C
Storage temperature	-20°C ... +70°C
Tripod mounting thread	5/8", 1/4"
Laser type	Class II 520 nm < 1 mW
Power supply	2 x 1,5V LR6 alkaline (AA)
Dimensions	120x75x105 mm
Weight	0,41 kg (with battery)

\* The operating range may differ from the declared depending on the lighting conditions.

### SET

Laser level - 1 pc.  
Magnetic holder - 1 pc.  
Adapter 5/8" - 1/4" - 1 pc.  
Cable tie - 1 pc.  
Pouch - 1 pc.  
Batteries (AA) - 2 pcs.  
User manual - 1 pc.

### OPERATION

Before start operation remove the battery cover, insert the batteries, observing correct polarity. Put battery cover back. Use alkaline batteries only. Both batteries should be of the same type and brand with the same charge level.

If indicator starts flashing red while operation replace the batteries.

Place an instrument on a firm and stable surface or a tripod. Move the switch bar to activate necessary operating mode:

#### 1) Automatic leveling mode

Move the switch bar to **ON** position . The pendulum is unlocked.

The indicator turns green.

If the instrument is out of the range of automatic compensation it will emit sound signal.

Short press button to switch on laser lines.

Short press to switch on pulse mode. Indicator will be green. Short press again to switch off pulse mode.

To switch off the instrument move the switch bar to **OFF** position .

Indicator turns red.

Long press button during 3 seconds to switch on/off laser lines. Long press during 3 seconds to switch on pulse mode. Indicator will be green.

Long press again to switch off pulse mode.

Indicator turns red.

Long press button during 3 seconds to switch on/off laser lines. Long press during 3 seconds to switch on pulse mode. Indicator will be green.

Long press again to switch off pulse mode.

Indicator turns red.

Long press button during 3 seconds to switch on/off laser lines. Long press during 3 seconds to switch on pulse mode. Indicator will be green.

Long press again to switch off pulse mode.

Indicator turns red.

Long press button during 3 seconds to switch on/off laser lines. Long press during 3 seconds to switch on pulse mode. Indicator will be green.

Long press again to switch off pulse mode.

Indicator turns red.

Long press button during 3 seconds to switch on/off laser lines. Long press during 3 seconds to switch on pulse mode. Indicator will be green.

Long press again to switch off pulse mode.

Indicator turns red.

Long press button during 3 seconds to switch on/off laser lines. Long press during 3 seconds to switch on pulse mode. Indicator will be green.

Long press again to switch off pulse mode.

Indicator turns red.

Long press button during 3 seconds to switch on/off laser lines. Long press during 3 seconds to switch on pulse mode. Indicator will be green.

Long press again to switch off pulse mode.

Indicator turns red.

Long press button during 3 seconds to switch on/off laser lines. Long press during 3 seconds to switch on pulse mode. Indicator will be green.

Long press again to switch off pulse mode.

Indicator turns red.

Long press button during 3 seconds to switch on/off laser lines. Long press during 3 seconds to switch on pulse mode. Indicator will be green.

Long press again to switch off pulse mode.

Indicator turns red.

Long press button during 3 seconds to switch on/off laser lines. Long press during 3 seconds to switch on pulse mode. Indicator will be green.

Long press again to switch off pulse mode.

Indicator turns red.

Long press button during 3 seconds to switch on/off laser lines. Long press during 3 seconds to switch on pulse mode. Indicator will be green.

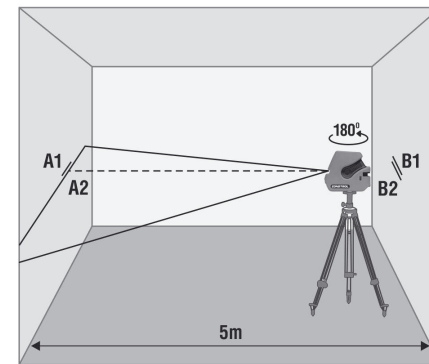
Long press again to switch off pulse mode.

Indicator turns red.

6. Install the instrument closer to the opposite wall. Mark location of horizontal line on the wall as B2.

7. Turn the instrument by 180° and mark location of horizontal line on the opposite wall as A2.

8. Measure vertical distance between marks A1, A2 and B1, B2. If distance between measured values exceeds 3 mm – please contact service center.

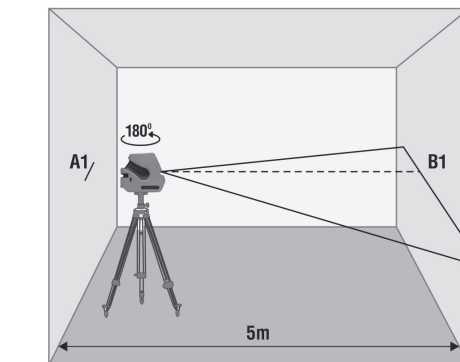
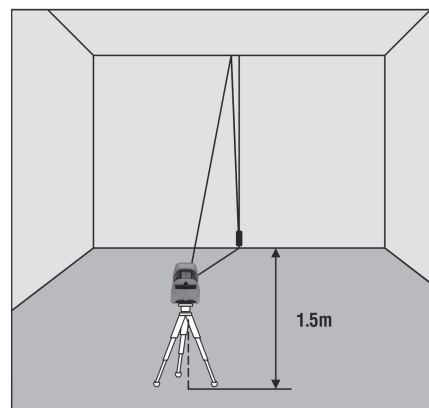


### Check of vertical line

Use a plumb bob as a reference of a vertical. Place the instrument at distance of 1,5 m from the plumb bob.

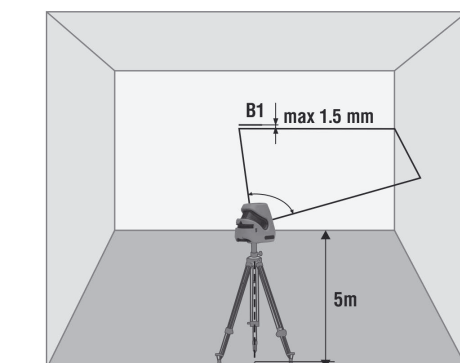
1. Move lever lock to unlocked position, then switch on vertical plane and align vertical laser line with the low point of plumb bob.

2. If deviation between the laser line and the plumb line exceeds  $\pm 0,3$  mm per 1 m of the plumb bob length (for a 2,5 m plumb bob deviation shouldn't exceed 0,75 mm) please contact service center.



4. Turn the instrument to the right. Measure vertical deviation of horizontal line from point B1. If deviation exceeds 1,5 mm – please contact service center.

5. Repeat actions in paragraph 4 by turning the instrument to the left.



### CARE AND MAINTENANCE

**Attention!** The product is an accurate optical mechanic device and requires careful handling. Check the accuracy before using.

To increase the operating time and avoid the risk of unintentional blindness switch the laser on only when you are ready to make measurements.

If operated near objects or air streams with different from the environment temperature the laser line may tremble due to heterogeneity of the atmosphere. The longer is the distance, the more trembling can be observed

The width of the laser line increases with the increasing of the operating distance. The layout should be made along the axis of the laser line. For maximum accuracy, use the middle portion of the laser line.

It should be noted that the shape of the laser line on the object's surface (e.g., walls, ceilings, etc.) depends on the curvature and tilt of the surface relative to the laser plane.

**Maintenance of the following recommendations will extend the life of the device:**

- Transport and carry the product only with locked compensator.

- Keep the product clean and protected from any bumps, dust and dampness; do not allow getting moisture, dust or other dirt inside of the product.

- In case if any moisture goes into the product, remove the batteries and take it to the service center.

- Do not keep or use the device for a long time at high humidity conditions.

- Keep the instrument clean and wipe it with a clean and soft cloth.

**Mishandling of the following rules can cause electrolyte leakage from the batteries or other damages:**

- Remove the batteries from the product if you do not use it for a long time.

- Do not use different battery types with different charge levels.

- Do not leave discharged batteries in the product.

- Do not use different battery types with different charge levels.

- Do not leave discharged batteries in the product.

- Do not use different battery types with different charge levels.

- Do not leave discharged batteries in the product.

- Do not use different battery types with different charge levels.

- Do not leave discharged batteries in the product.

- Do not use different battery types with different charge levels.

- Do not leave discharged batteries in the product.

- Do not use different battery types with different charge levels.

- Do not leave discharged batteries in the product.

- Do not use different battery types with different charge levels.

- Do not leave discharged batteries in the product.

- Do not use different battery types with different charge levels.

- Do not leave discharged batteries in the product.

- Do not use different battery types with different charge levels.

- Do not leave discharged batteries in the product.

- Do not use different battery types with different charge levels.

- Do not leave discharged batteries in the product.

- Do not use different battery types with different charge levels.

- Do not leave discharged batteries in the product.

- Do not use different battery types with different charge levels.

- Do not leave discharged batteries in the product.

- Do not use different battery types with different charge levels.

- Do not leave discharged batteries in the product.

- Do not use different battery types with different charge levels.

- Do not leave discharged batteries in the product.

### WARRANTY

All CONDTRON GmbH products go through post-production control and are governed by the following warranty terms. The buyer's right to claim about defects and general provisions of the current legislation do not expire.

1) CONDTRON GmbH agrees to eliminate all defects in the product, discovered while warranty period, that represent the defect in material or workmanship in full volume and at its own expense.

2) The warranty period is 24 months and starts from the date of purchase by end consumer (see the original supporting document).

3) The Warranty doesn't cover defects resulting from wear and tear or improper use, malfunction of the product caused by failure to observe the instructions of this user manual, untimely maintenance and service and insufficient care, the use of non-original accessories and spare parts. Modifications in design of the product relieve the seller from responsibility for warranty works. The warranty does not cover cosmetic damage, that doesn't hinder normal operation of the product.

4) CONDTRON GmbH reserves the right to decide on replacement or repair of the device.

5) Other claims not mentioned above, are not covered by the warranty.

6) After holding warranty works by CONDTRON GmbH warranty period is not renewed or extended.

7) CONDTRON GmbH is not liable for loss of profit or inconvenience associated with a defect of the device, rental cost of alternative equipment for the period of repair.

- Do not use different battery types with different charge levels.

- Do not leave discharged batteries in the product.

- Do not use different battery types with different charge levels.

- Do not leave discharged batteries in the product.

- Do not use different battery types with different charge levels.

- Do not leave discharged batteries in the product.

- Do not use different battery types with different charge levels.

- Do not leave discharged batteries in the product.

- Do not use different battery types with different charge levels.

- Do not leave discharged batteries in the product.

- Do not use different battery types with different charge levels.

- Do not leave discharged batteries in the product.

- Do not use different battery types with different charge levels.

- Do not leave discharged batteries in the product.

- Do not use different battery types with different charge levels.

- Do not leave discharged batteries in the product.

- Do not use different battery types with different charge levels.

- Do not leave discharged batteries in the product.

- Do not use different battery types with different charge levels.

- Do not leave discharged batteries in the product.

- Do not use different battery types with different charge levels.

- Do not leave discharged batteries in the product.

- Do not use different battery types with different charge levels.

- Do not leave discharged batteries in the product.

- Do not use different battery types with different charge levels.

- Do not leave discharged batteries in the product.

- Do not use different battery types with different charge levels.

- Do not leave discharged batteries in the product.

- Do not use different battery types with different charge levels.

- Do not leave discharged batteries in the product.

- Do not use different battery types with different charge levels.

- Do not leave discharged batteries in the product.

# RU Лазерный нивелир NEO G100

## Руководство по эксплуатации

### УКАЗАНИЯ ПО ТЕХНИКЕ БЕЗОПАСНОСТИ

**Внимание!** Данная инструкция по эксплуатации является неотъемлемой частью Вашего прибора. Прежде чем приступить к работе с прибором, внимательно прочтите инструкцию. При передаче прибора во временное пользование обязательно прилагайте к нему данную инструкцию.

- Не используйте прибор не по назначению.
- Не удаляйте наклейки и таблички и предохраняйте их от стирания, т.к. они содержат информацию по безопасной эксплуатации прибора.



Лазерное излучение!  
Не направляйте в глаза  
Лазер класса 2  
<1 мВт, 520 нм  
IEC 60825-1: 2007-03

- Не смотрите в лазерный луч, а также в его отражение, как незащищенным глазом, так и через оптические устройства. Не направляйте лазерный луч на людей и животных без необходимости. Вы можете их ослепить.
- Защита глаз обычно осуществляется путем отведения взгляда или закрытием век.
- Всегда устанавливайте прибор так, чтобы лазерные лучи проходили на расстоянии выше или ниже уровня глаз.
- Не допускайте посторонних лиц в зону эксплуатации прибора.
- Храните прибор вне досягаемости детей и посторонних лиц.

- Не разбирайте и не ремонтируйте прибор самостоятельно. Обслуживание и ремонт следует поручать только квалифицированным специалистам и с применением оригинальных запасных частей.

- Запрещается эксплуатация прибора во взрывоопасной среде, вблизи легковоспламеняющихся материалов.

- Очки для работы с лазерным инструментом служат для лучшего распознавания лазерного луча, не используйте их для других целей. Лазерные очки не защищают от лазерного излучения, не предназначены для защиты от ультрафиолетового излучения и ухудшают восприятие цветов.

- Не допускайте нагревания элементов питания во избежание риска взрыва и вытекания электролита. При попадании жидкости на кожу немедленно промойте пораженный участок водой с мылом. В случае попадания в глаза, промойте их чистой водой в течение 10 минут, затем обратитесь к врачу.

### ОПИСАНИЕ ПРИБОРА

Мультипризменный лазерный нивелир NEO G100 CONDROL предназначен для построения и контроля вертикальных и горизонтальных плоскостей и линий. Прибор пригоден как для эксплуатации в закрытых помещениях, так и на открытых строительных площадках.

Прибор имеет 2 режима работы:

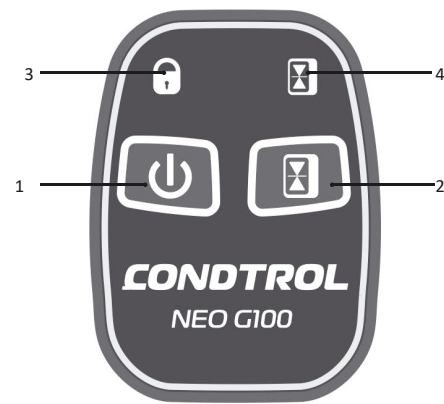
- с заблокированным компенсатором, для построения плоскостей и линий под произвольными углами;
- с автоматической компенсацией наклона корпуса прибора до  $\pm 4,5^\circ$ .

### Внешний вид прибора



- 1 Окно лазерных излучателей
- 2 Панель управления
- 3 Крышка батарейного отсека
- 4 Резьба под штатив 5/8"
- 5 Движок блокиратора
- 6 Крепление под гвоздь/саморез
- 7 Зажим для крепления на профиль
- 8 Паз для крепления ремнем
- 9 Разъем внешнего питания

### Панель управления



- 1 - Включение/выключение лазерного излучателя
- 2 - Включение/выключение импульсного режима
- 3 - Индикатор режима самовыравнивания / Индикатор режима построения наклонных плоскостей / Индикатор низкого уровня заряда батареи
- 4 - Индикатор импульсного режима

### ТЕХНИЧЕСКИЕ ХАРАКТЕРИСТИКИ

Рабочий диапазон / с детектором	20 м / 40 м*
Точность самовыравнивания	$\pm 0,3$ мм/м
Диапазон самовыравнивания	$\pm 4,5^\circ$
Рабочая температура	0°C ... +50°C
Температура хранения	-20°C ... +70°C
Тип резьбы для установки на штатив	5/8", 1/4"
Тип лазера	Класс II 520 нм < 1 мВт
Источник питания	2x1,5 В щелочные LR6 (AA)
Габаритные размеры	120x75x105мм
Вес	0,41 кг (с батарейками)

\* Рабочий диапазон может отличаться от заявленного в зависимости от условий освещения.

### КОМПЛЕКТАЦИЯ

Лазерный нивелир - 1 шт.  
Магнитный держатель - 1 шт.  
Переходник с 5/8" на 1/4" - 1 шт.  
Кабельная стяжка - 1 шт.  
Сумка - 1 шт.  
Элементы питания (тип AA) - 2 шт.  
Руководство пользователя - 1 шт.

### РАБОТА С ПРИБОРОМ

Перед началом работы откройте батарейный отсек и установите элементы питания, соблюдая полярность. Установите крышку батарейного отсека обратно до щелчка.

Используйте только щелочные батареи. Оба элемента питания должны быть одной марки, с одинаковым уровнем заряда.

Если во время работы с прибором индикатор мигает красным, замените элементы питания на новые. Установите прибор на твердую устойчивую поверхность или штатив.

Движком блокиратора выберите режим работы прибора:

**1) Режим автоматического самовыравнивания**  
Переместите движок блокиратора в положение **ON** . Компенсатор разблокирован. Индикатор становится зеленым.

Если наклон корпуса прибора превышает диапазон самовыравнивания, раздается звуковой сигнал.

Коротким нажатием на включите лазерный излучатель.

Коротким нажатием активируйте импульсный режим.

Индикатор будет зеленым.

Повторным нажатием выключите импульсный режим.

Для выключения прибора переведите движок блокиратора в положение **OFF** .

### 2) Построение наклонных плоскостей

Переведите движок блокиратора в положение **OFF** .

Компенсатор заблокирован. Индикатор горит красным.

Нажатием и удержанием в течение 3 секунд включите/выключите лазерный излучатель.

Нажатием и удержанием в течение 3 секунд активируйте импульсный режим. Индикатор будет зеленым.

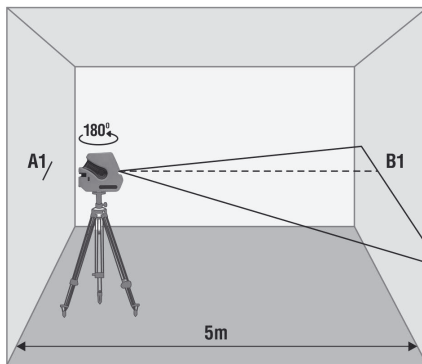
Повторным нажатием и удержанием выключите импульсный режим.

### ПРОВЕРКА ТОЧНОСТИ

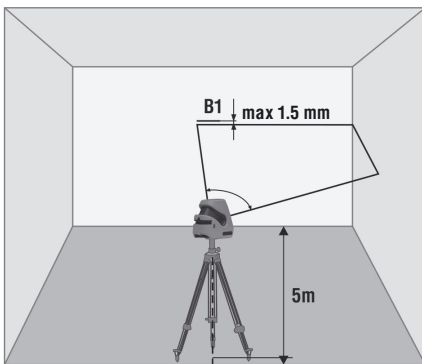
#### Проверка горизонтали

Для проверки необходимы 2 параллельные вертикальные стены, расположенные друг напротив друга на расстоянии не менее 5 м.

1. Установите прибор максимально близко к одной из стен, разверните прибор излучателями в сторону одной из стен.
2. Разблокируйте компенсатор, включите горизонтальный излучатель, отметьте положение оси горизонтального луча на ближней стене – метка A1.
3. Поверните прибор на 180° и отметьте положение луча на дальней стене – метка B1.



4. Поверните прибор влево, измерьте вертикальное отклонение оси горизонтального луча от точки B1. Если отклонение превышает 1,5 мм – обратитесь в сервисный центр.
5. Повторите пункт 4, поворачивая прибор влево.

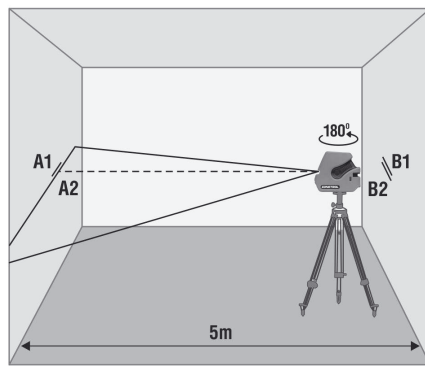


6. Перенесите прибор к противоположной стене, отметьте положение оси горизонтального луча на ближней стене – метка B2.

7. Поверните прибор на 180° и отметьте положение оси горизонтального луча на противоположной стене – точка A2.

8. Измерьте вертикальное расстояние между метками A1, A2 и B1, B2.

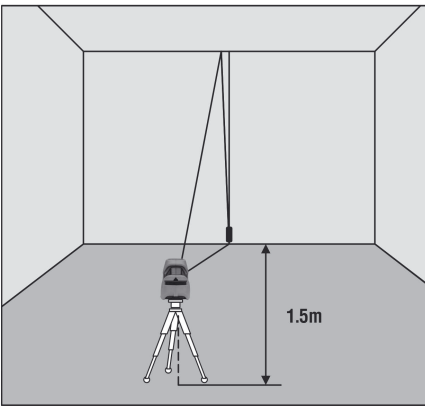
Если разница между измеренными значениями превышает 3 мм – обратитесь в сервисный центр.



#### Проверка вертикали

В качестве эталона вертикали используйте отвес. Установите прибор на расстоянии порядка 1,5 м от отвеса.

1. Разблокируйте компенсатор, включите вертикальный излучатель, совместите ось вертикальной лазерной линии с нижней точкой отвеса.
2. Если отклонение оси вертикальной линии от подвеса превышает 0,3 мм на 1 м длины подвеса (например, для отвеса длиной 2,5 м – максимальное отклонение не должно превышать 0,75 мм) – обратитесь в сервисный центр.



### УХОД И ЭКСПЛУАТАЦИЯ

**Внимание!** Прибор является точным оптико-механическим устройством и требует бережного обращения. Перед началом работ, а также после механических воздействий (падение, удары) проводите проверку точности прибора.

Для увеличения времени работы, а также для уменьшения риска непреднамеренного ослепления следует выбирать минимально необходимое количество включенных лазерных модулей.

При работе вблизи объектов или воздушных потоков отличающихся по температуре от окружающей среды (падение, удары) проводите проверку точности прибора. Для увеличения времени работы, а также для уменьшения риска непреднамеренного ослепления следует выбирать минимально необходимое количество включенных лазерных модулей.

При работе вблизи объектов или воздушных потоков отличающихся по температуре от окружающей среды (падение, удары) проводите проверку точности прибора. Для увеличения времени работы, а также для уменьшения риска непреднамеренного ослепления следует выбирать минимально необходимое количество включенных лазерных модулей.

С увеличением расстояния ширина лазерной линии увеличивается. Разметку следует производить по оси лазерной линии. Для получения максимальной точности используйте средний участок лазерной линии.

Следует учитывать, что форма лазерных линий на поверхности объекта (например, на стенах, перекрытиях и пр.) зависит от кривизны и наклона поверхности по отношению к лазерной плоскости.

**Соблюдение следующих рекомендаций продлит срок службы прибора:**

- Перемещайте прибор только с заблокированным компенсатором.
- Берегайте прибор от ударов, падений, сильных вибраций, не допускайте попадания внутрь прибора влаги, строительной пыли, посторонних предметов.
- В случае попадания в прибор влаги в первую очередь выньте элементы питания, затем обратитесь в сервисный центр.
- Не храните и не используйте прибор в течение длительного времени в условиях повышенной влажности.
- Чистку прибора следует производить влажной мягкой салфеткой.

**Несоблюдение следующих правил может привести к вытеканию электролита из элементов питания и порче прибора:**

- Вынимайте элементы питания из прибора, если он не используется в течение длительного времени.
- Не используйте элементы питания разного вида, с разным уровнем заряда.
- Не оставляйте в приборе разряженные элементы питания.

### ГАРАНТИЙНЫЕ ОБЯЗАТЕЛЬСТВА

Гарантийный период составляет 24 месяца с даты продажи. Срок службы прибора - 36 месяцев.

Гарантия покрывает все расходы по ремонту или замене прибора. Гарантия не покрывает транспортные расходы, связанные с возвратом прибора в ремонт.

Гарантийные обязательства не распространяются на повреждения ставшие результатом механического или иного воздействия, нарушений правил эксплуатации, самостоятельного ремонта, а также на элементы питания. Гарантийные обязательства не распространяются на случаи потери точности, возникшие в процессе эксплуатации прибора не по причине заводского брака, а также в случае обрыва подвижных цепей питания компенсатора в результате интенсивной эксплуатации или нарушений правил эксплуатации.

Расходы по настройке прибора оплачиваются отдельно.

### СЕРВИС И КОНСУЛЬТАЦИОННЫЕ УСЛУГИ

Контакты для связи, консультации можно получить на сайте [www.condrol.ru](http://www.condrol.ru)

### УТИЛИЗАЦИЯ

Отслужившие свой срок инструменты, принадлежности и упаковка должны быть утилизированы согласно действующим законам вашей страны.

Не выбрасывайте аккумуляторы/батареи в коммунальный мусор, не бросайте их в огонь или воду. Аккумуляторы/батареи следует собирать и сдавать на рекуперацию или на экологически чистую утилизацию.

Только для стран-членов ЕС:

Не выбрасывайте инструменты в коммунальный мусор!

Согласно Европейской Директиве 2002/96/ЕС о старых электрических и электронных инструментах и приборах и ее претворению в национальное право, отслужившие свой срок измерительные инструменты должны собираться отдельно и быть переданы на экологически чистую рекуперацию отходов.

Неисправные или пришедшие в негодность аккумуляторы/батареи должны быть утилизированы согласно Директиве 2006/66/ЕС.

Производитель оставляет за собой право вносить изменения в конструкцию, алгоритмы работы, комплектацию прибора без предварительного уведомления.

