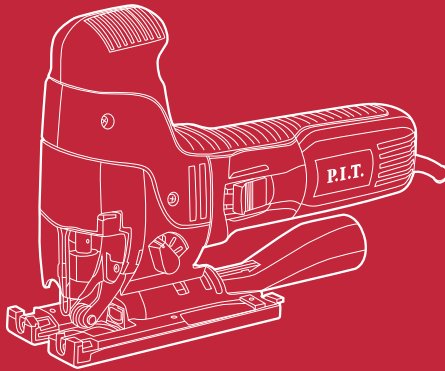


P.I.T.

PST110-C



JIG SAW ЛОБЗИК

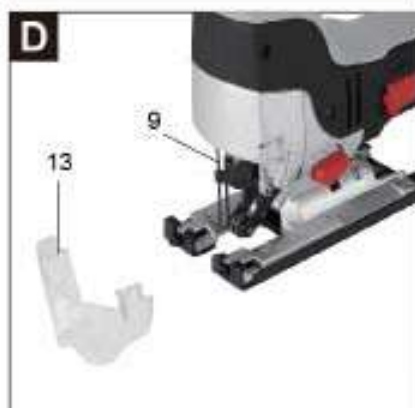
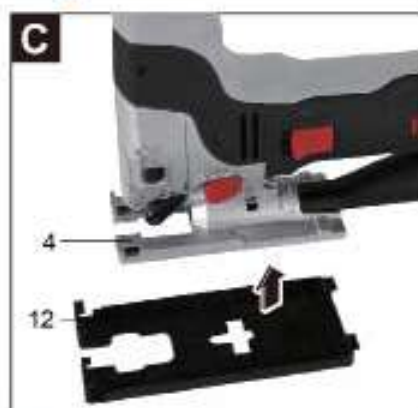
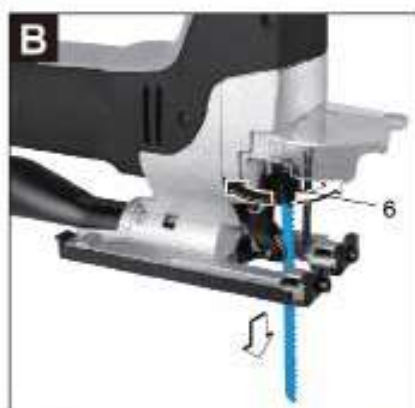
750W

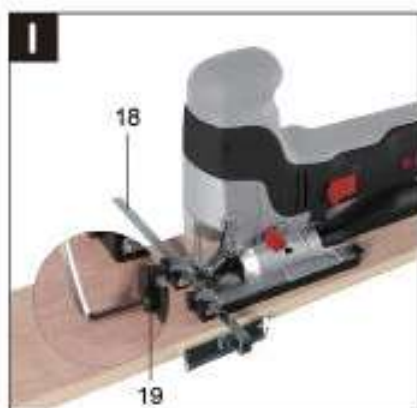
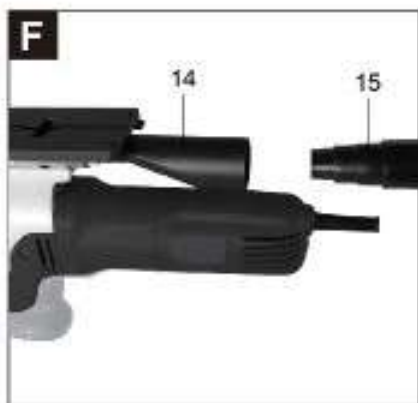
**Powerful
Efficient**

Please read the instruction manual carefully before use!
Пожалуйста, внимательно прочтите инструкцию перед использованием!










English

Safety Notes

General Power Tool Safety Warnings

 **WARNING** Read all safety warnings and all instructions.

Failure to follow the warnings and instructions may result in electric shock, fire and/or serious injury.

Save all warnings and instructions for future reference. The term "power tool" in the warnings refers to your mainsoperated (corded) power tool or battery-operated (cordless) power tool.

Work area safety

- ▶ **Keep work area clean and well lit.** Cluttered or dark areas invite accidents.
- ▶ **Do not operate power tools in explosive atmospheres, such as in the presence of flammable liquids, gases or dust.** Power tools create sparks which may ignite the dust or fumes.
- ▶ **Keep children and bystanders away while operating a power tool.** Distractions can cause you to lose control.

Electrical safety

- ▶ **Power tool plugs must match the outlet. Never modify the plug in any way. Do not use any adapter plugs with earthed (grounded) power tools.** Unmodified plugs and matching outlets will reduce risk of electric shock.
- ▶ **Avoid body contact with earthed or grounded surfaces, such as pipes, radiators, ranges and refrigerators.** There is an increased risk of electric shock if your body is earthed or grounded.
- ▶ **Do not expose power tools to rain or wet conditions.** Water entering a power tool will increase the risk of electric shock.
- ▶ **Do not abuse the cord. Never use the cord for carrying, pulling or unplugging the power tool. Keep cord away from heat, oil, sharp edges and moving parts.** Damaged or entangled cords increase the risk of electric shock.
- ▶ **When operating a power tool outdoors, use an extension cord suitable for outdoor use.** Use of a cord suitable for outdoor use reduces the risk of electric shock.
- ▶ **If operating a power tool in a damp location is unavoidable, use a residual current device (RCD) protected supply.** Use of an RCD reduces the risk of electric shock.

Personal safety

- ▶ **Stay alert, watch what you are doing**

and use common sense when operating a power tool. Do not use a power tool while you are tired or under the influence of drugs, alcohol or medication. A moment of inattention while operating power tools may result in serious personal injury.

- ▶ **Use personal protective equipment. Always wear eye protection.** Protective equipment such as dust mask, nonskid safety shoes, hard hat, or hearing protection used for appropriate conditions will reduce personal injuries.
- ▶ **Prevent unintentional starting. Ensure the switch is in the off position before connecting to power source and/or battery pack, picking up or carrying the tool.** Carrying power tools with your finger on the switch or energising power tools that have the switch on invites accidents.
- ▶ **Remove any adjusting key or wrench before turning the power tool on.** A wrench or a key left attached to a rotating part of the power tool may result in personal injury.
- ▶ **Do not overreach. Keep proper footing and balance at all times.** This enables better control of the power tool in unexpected situations.
- ▶ **Dress properly. Do not wear loose clothing or jewellery. Keep your hair, clothing and gloves away from moving parts.** Loose clothes, jewellery or long hair can be caught in moving parts.
- ▶ **If devices are provided for the connection of dust extraction and collection facilities, ensure these are connected and properly used.** Use of dust collection can reduce dust-related hazards.

Power tool use and care

- ▶ **Do not force the power tool. Use the correct power tool for your application.** The correct power tool will do the job better and safer at the rate for which it was designed.
- ▶ **Do not use the power tool if the switch does not turn it on and off.** Any power tool that cannot be controlled with the switch is dangerous and must be repaired.
- ▶ **Disconnect the plug from the power source and/or the battery pack from the power tool before making any adjustments, changing accessories, or storing power tools.** Such preventive safety measures reduce the risk of starting the power tool accidentally.

- ▶ **Store idle power tools out of the reach of children and do not allow persons unfamiliar with the power tool or these instructions to operate the power tool.** Power tools are dangerous in the hands of untrained users.
- ▶ **The appliance is not intended for use by persons (including children) with reduced physical, sensory or mental capabilities or lack of experience or knowledge, unless they are supervised or instructed to use the appliance by a person responsible for their safety.**
- ▶ **Maintain power tools. Check for misalignment or binding of moving parts, breakage of parts and any other condition that may affect the power tool's operation. If damaged, have the power tool repaired before use.** Many accidents are caused by poorly maintained power tools.
- ▶ **Keep cutting tools sharp and clean.** Properly maintained cutting tools with sharp cutting edges are less likely to bind and are easier to control.
- ▶ **Use the power tool, accessories and tool bits etc. in accordance with these instructions, taking into account the working conditions and the work to be performed.** Use of the power tool for operations different from those intended could result in a hazardous situation.
- ▶ **When the cut is completed, switch off the power tool and then pull the saw blade out of the cut only after it has come to a standstill.** In this manner you can avoid kickback and can place down the power tool securely.
- ▶ **Always wait until the power tool has come to a complete stop before placing it down.** The application tool can jam and cause you to lose control of the power tool.
- ▶ **Use only undamaged saw blades that are in perfect condition.** Bent or dull saw blades can break, negatively influence the cut, or lead to kickback.
- ▶ **Do not brake the saw blade to a stop by applying side pressure after switching off.** The saw blade can be damaged, break or cause kickback.
- ▶ **Use appropriate metal detectors to locate pipes or wiring hidden in the wall, contact your local utility company for help.** Contact with electrical wiring can result in fire and electric shock. Damage to the gas line can lead to an explosion. Damage to the water supply leads to material damage.
- ▶ **Body-mounted contact protection prevents unintentional contact with the saw blade during operation; you can't take it off.**
- ▶ **Only plunge cut soft materials such as wood, drywall, etc.**
- ▶ **The protective pad can prevent surface scratches.**

Safety instructions for jigsaws

- ▶ **Hold the power tool by insulated gripping surfaces, when performing an operation where the cutting accessory may contact hidden wiring or its own cord.** Cutting accessory contacting a "live" wire may make exposed metal parts of the power tool "live" and could give the operator an electric shock.
- ▶ **Use clamps or another practical way to secure and support the workpiece to a stable platform.** Holding the workpiece by hand or against your body leaves it unstable and may lead to loss of control.
- ▶ **Keep hands away from the sawing area. Do not reach under the workpiece.** Contact with the saw blade can lead to injuries.
- ▶ **Only bring the power tool into contact with the workpiece when switched on.** Otherwise there is danger of kickback if the cutting tool jams in the workpiece.
- ▶ **Ensure that the footplate always rests securely while sawing.** A jammed saw blade can break or lead to kickback.

Product Description and Specifications



Read all the safety and general instructions. Failure to observe the safety and general instructions may result in electric shock, fire and/or serious injury. Please observe the illustrations at the beginning of this operating manual.

Intended Use

The power tool is intended for making separating cuts and cut-outs in wood, plastic, metal, ceramic plates and rubber while resting firmly on the workpiece. It is suitable for straight and curved cuts with mitre/bevel angles of up to 45°. Note the saw blade recommendations.

Product Features

The numbering of the product features refers to the diagram of the power tool on the graphics page.

- (1) On/off switch

- (2) Stroke rate preselection thumbwheel
- (3) Hex key
- (4) Base plate
- (5) Pendulum action adjusting lever
- (6) SDS lever for saw blade release
- (7) Guide roller
- (8) Saw blade
- (9) Shock protection guard
- (10) Handle (insulated gripping surface)
- (11) Saw blade receptacle
- (12) Protective pad
- (13) Safety glass
- (14) Extraction outlet
- (15) Vacuum cleaner adapter
- (16) Base plate screw
- (17) Scale for mitre/bevel angles
- (18) Guide for parallel guide
- (19) Locking screw for parallel guide

Technical parameter

Model	PST110-C
Rated voltage	220 V~/50 Hz
Rated power	750 W
Reciprocating frequency	1000-3100 spm
Wood cutting depth	110 mm(4-11/32")
Metal cutting depth	26 mm(1")
Weight	3.4 kg

Contents of delivery

Jig Saw	1 pc
Woodworking saw blade	1 pc
Metal saw blade	1 pc
Guide rule fixed knob	2 pcs
Parallel stop	1 pc
Dust extraction pipe	1 pc
Allen wrench	1 pc
Instruction manual	1 pc

Note

Since the product is constantly being improved, P.I.T. reserves the right to make changes to the specifications and product specifications specified here without prior notice.

Assembly

- ▶ **Pull the plug out of the socket before carrying out any work on the power tool.**

Inserting/changing the saw blade

- ▶ **When fitting or changing the saw blade, wear protective gloves.** Blades are sharp and can become hot when used for prolonged periods of time.

Selecting the saw blade

Only use saw blades with single lug shank (T shank). The saw blade should not be longer

than required for the intended cut.

Use a narrow saw blade when sawing tight curves.

Inserting the saw blade (see figure A)

- ▶ **Clean the shaft on the saw blade before inserting it.** A dirty shaft cannot be securely fixed in place.

Press the SDS lever forward to the stop and hold it down. Push the saw blade, with the teeth in the cutting direction, into the saw blade receptacle until it clicks into place.

Make sure when inserting the saw blade that the back of the saw blade is in the groove on the guide roller.

- ▶ **Check that the saw blade is seated securely.** A loose saw blade can fall out and lead to injuries.

Ejecting the saw blade (see figure B)

- ▶ **When ejecting the saw blade, hold the power tool in such a manner that no persons or animals can be injured by the ejected saw blade.**

Press the SDS lever forward to the stop. The saw blade is released and ejected.

Protective pad (see figure C)

When machining sensitive surfaces, you can place the protective pad on the base plate in order to prevent the surface from being scratched.

To position the protective pad, hook it to the front of the base plate, push it up at the back and allow it to click into place.

Dust/Chip Extraction

The dust from materials such as lead paint, some types of wood, minerals and metal can be harmful to human health. Touching or breathing in this dust can trigger allergic reactions and/or cause respiratory illnesses in the user or in people in the near vicinity.

Certain dusts, such as oak or beech dust, are classified as carcinogenic, especially in conjunction with wood treatment additives (chromate, wood preservative). Materials containing asbestos may only be machined by specialists.

- Use a dust extraction system that is suitable for the material wherever possible.
- Provide good ventilation at the workplace.
- It is advisable to wear a P2 filter class breathing mask. The regulations on the material being machined that apply in the country of use must be observed.

- ▶ **Avoid dust accumulation at the work-place.** Dust can easily ignite.

Safety glass (see figure D)

Fit the safety glass before you connect the power tool to the dust extraction system.

Attach the safety glass to the power tool so that the bracket locks into place on the shock protection guard.

Remove the safety glass when working without a dust extraction system and for mitre/bevel cuts.

Connecting the dust extraction (see figures E-F)

Fit the extraction outlet in the recesses of the base plate.

Ensure that the cam on the extraction outlet slots into the corresponding recess of the base plate as shown.

Connect a dust extraction hose to the extraction outlet. Connect the dust extraction hose to a dust extractor.

For optimum dust extraction, where possible use the antisplinter guard.

Switch off the sawdust blower device when you have connected the dust extraction system.

The dust extractor must be suitable for the material being worked.

Operation

Operating modes

- ▶ **Pull the plug out of the socket before carrying out any work on the power tool.**

Pendulum action settings

The pendulum action can be adjusted using four different settings, allowing the cutting speed, cutting capacity and the cut itself to be optimally adapted to the material that you want to cut.

- Level 0 → No pendulum action
- Level I → Low pendulum action
- Level II → Moderate pendulum action
- Level III → High pendulum action

The optimum pendulum level for each application can be determined by a practical test. Note the following recommendations:

- Select a lower pendulum level or switch off the pendulum action completely if you wish to produce a finer or cleaner cutting edge.
- Switch off the pendulum action when machining thin materials (e.g. sheets).
- Work on hard materials (e.g. steel) with low pendulum action.
- You can work on soft materials and saw wood in the direction of the grain using

maximum pendulum action.

Adjusting the mitre/bevel angle (see figure H)

The base plate can be swivelled to the right or left to make mitre cuts up to 45°.

The safety glass, the extraction outlet and the antisplinter guard cannot be used while mitre/bevel cuts are being made.

- Push the extraction outlet gently upward and pull it out of the base plate.
- Remove the safety glass and the anti-splinter guard.
- Loosen the screw with the hex key and slide the base plate slightly towards the power cable.
- The base plate has lock-in points on the left and right so that precise mitre/bevel angles can be set. Swivel the base plate to the required position according to the scale. Other mitre/bevel angles can be adjusted using a protractor.
- Then push the base plate towards the saw blade as far as it will go.
- Retighten the screw.

Moving the base plate (see figure H)

You can move the base plate back for sawing close to edges.

Loosen the screw and push the base plate towards the mains cable as far as it will go. Retighten the screw.

Sawing with an offset base plate is only possible with a mitre/bevel angle of 0°. In addition, the parallel guide with circle cutter as well as the anti-splinter guard must not be used.

Starting Operation

- ▶ **Pay attention to the mains voltage. The voltage of the power source must match the voltage specified on the rating plate of the power tool.**

Switching on: slide the switch (1) forward. For continuous operation, press the switch until it locks into place.

Switching off: press the rear end of the switch (1) and then release.

Preselect the stroke rate

You can also preselect the stroke rate and change it during operation using the stroke rate preselection thumbwheel.

The required stroke rate is dependent on the material and the work conditions and can be determined using practical tests.

It is recommended that you reduce the stroke rate when placing the saw blade on the workpiece and when sawing plastic and aluminium.

um.

During prolonged periods of use at a low stroke rate, the power tool may heat up significantly. Remove the saw blade and let the power tool run at the maximum stroke rate for around three minutes to cool down.

Working Advice

- ▶ **Pull the plug out of the socket before carrying out any work on the power tool.**
- ▶ **Switch the power tool off immediately if the saw blade becomes blocked.**
- ▶ **When machining small or thin workpieces, always use a stable base or saw table.**

Before sawing into wood, chipboard, building materials, etc., check for and remove any foreign objects such as nails, screws, etc.

Plunge cutting (see figure G)

- ▶ **Plunge cuts may only be applied to soft materials, such as wood, gypsum board, etc.**

For plunge cutting, use only short saw blades. Plunge cutting is possible only with a mitre angle of 0°.

Place the power tool so that the front edge of the base plate rests on the workpiece, without the saw blade touching the workpiece, and switch it on. On power tools with stroke rate control, select the maximum stroke rate. Press the power tool firmly against the workpiece and allow the saw blade to plunge slowly into the workpiece.

As soon as the base plate rests fully on the workpiece, continue sawing along the required cutting line.

Parallel guide

When working with the parallel guide, the workpiece must be no more than 30 mm thick. Parallel cuts: Loosen the locking screw and slide the scale on the parallel guide through the guide in the base plate. Adjust the desired cutting width as a scale value on the inside edge of the base plate. Retighten the locking screw.

The parallel guide can also be used in combination with the guide rail.

Coolant/lubricant

As the material heats up along the cutting line when cutting metal, you should apply coolant or lubricant.

Maintenance and Service

Maintenance and Cleaning

- ▶ **Pull the plug out of the socket before carrying out any work on the power tool.**
- ▶ **To ensure safe and efficient operation, always keep the power tool and the ventilation slots clean.**

In order to avoid safety hazards, if the power supply cord needs to be replaced, this must be done by P. I. T. or by an after-sales service centre that is authorised to repair P.I.T. power tools.

Clean the saw blade receptacle regularly. For this, remove the saw blade from the power tool and lightly tap out the power tool on a level surface.

If the power tool becomes very dirty, this can lead to serious faults. For this reason, do not cut materials which generate large quantities of dust from below or overhead.

- ▶ **In extreme conditions, always use a dust extractor if possible.** Blow out ventilation slots frequently and install a residual current device (RCD) upstream. When machining metals, conductive dust can settle inside the power tool, which can affect its protective insulation.

If the dust outlet is clogged, turn off the power tool and remove dust and swarf.

Lubricate the idler roller with a drop of oil from time to time.

Check the guide roller regularly. The worn roller must be replaced by an authorized P.I.T.power tool workshop.

Service

- ▶ **Repairing your power tool commission only qualified personnel and only with the use of original spare parts. This ensures the safety of the power tool.**

The list of authorized service centers can be viewed on the official website of P.I.T. by the link: <https://pittools.ru/services/>

Storage and transportation

Store the instrument in closed rooms with natural ventilation in a package at an air temperature from 0 ° C to + 50 ° C and an air humidity of no more than 80%.

Products can be transported by any type of closed transport in the manufacturer's packaging or without it, while preserving the product from mechanical damage, atmospheric precipitation. Remove the exchange tool from the power tool before transporting it.

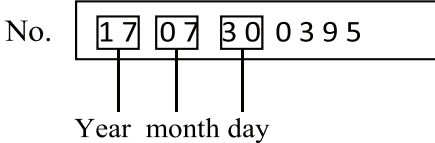
Dispose of waste



Damaged power tools, batteries, accessories and waste packaging materials must be recycled and reused in an environmentally friendly manner.

Do not throw power tools and accumulators / batteries into general household waste!

Product serial number interpretation serial number



The first and second digits of the product serial number from left to right

Year of production, the third and fourth digits indicate the month of production, the fifth and sixth digits indicate the production day.

TERMS OF WARRANTY SERVICE

1. This Warranty Certificate is the only document that confirms your right to free warranty service. Without presenting this certificate, no claims are accepted. In case of loss or damage, the warranty certificate is not restored.

2. The warranty period for the electric machine is 12 months from the date of sale, during the warranty period the service department eliminates manufacturing defects and replaces parts that have failed due to the fault of the manufacturer free of charge. In the warranty repair, an equivalent operable product is not provided. Replaceable parts become property of service providers.

P.I.T. is not liable for any damage that may be caused by operation of the electric machine.

3. Only clean tool accompanied with the following duly executed documents: this Warranty Certificate, Warranty Card, with all fields filled out, bearing the stamp of the trade organization and the signature of the buyer, shall be accepted for warranty repair.

4. Warranty repair is not performed in the following cases:

- in the absence of a Warranty Certificate and a Warranty Card or their incorrect execution;
- with failure of both a rotor and a stator of the electric engine, charring or melting of primary winding of the welding machine transformer, charging or starting-charging device, with internal parts melting, burn down of electronic circuit boards;

- if a Warranty Certificate or a Warranty Card does not correspond to this electric machine or to the form established by the supplier;

- upon expiration of the warranty period;

- at attempts of opening or repair of the electric machine outside the warranty workshop; making constructive changes and lubrication of the tool during the warranty period, as evidenced, for example, by the creases on the spline parts of the fasteners of non-rotational parts.

- when using electric tools for production or other purposes connected with making a profit, as well as in case of malfunctions related to instability of the power network parameters exceeding the norms established by GOST;

- in the events of improper operation (use the electric machine for other than intended purposes, attachments to the electric machine of attachments, accessories, etc. not provided by the manufacturer);

- with mechanical damage to the case, power cord and in case of damages caused by aggressive agents and high and low temperatures, ingress of foreign objects in the ventilation grids of the electric machine, as well as in case of damage resulting from improper storage (corrosion of metal parts);

- natural wear and tear on the parts of the electric machine, as a result of long-term operation (determined on the basis of the signs of full or partial depletion of the specified mean life, great contamination, presence of rust outside and inside the electric machine, waste lubricant in the gearbox);

- use of the tool the purposes for other than specified in the operating instructions.

- mechanical damages to the tool;

- in the event of damages due to non-observance of the operating conditions specified in the instruction (see chapter "Safety Precautions" of the Manual).

- damage to the product due to non-observance of the rules of storage and transportation.

- in case of strong internal contamination of the tool.

Preventive maintenance of electric machines (cleaning, washing, lubrication, replacement of anthers, piston and sealing rings) during the warranty period is a paid service.

The service life of the product is 3 years. Shelf life is 2 years. It is not recommended for operation after 2 years of storage from the date of manufacture, which is indicated in the serial number on the label of the instrument, without

preliminary verification (for the definition of the date of manufacture, see the User's Manual earlier).

The owner is notified of any possible violations of the above terms of warranty service upon completion of diagnostics in the service center.

The owner of the tool entrusts the diagnostic procedure to be conducted in the service center in his absence.

Do not operate the electric machine when there are signs of excessive heat, sparking, or noise in the gearbox. To determine the cause of the malfunction, the buyer should contact the warranty service center.

Malfunctions caused by late replacement of carbon brushes of the engine are eliminated at the expense of the buyer.

5. The warranty does not cover:

- replacement accessories (accessories and components), for example: batteries, discs, blades, drill bits, borers, chucks, chains, sprockets, collet clamps, guide rails, tension and fastening elements, trimming device heads, base of grinding and belt sander machines, hexagonal heads, etc.,
- fast wearing parts, for example: carbon brushes, drive belts, seals, protective covers, guiding rollers, guides, rubber seals, bearings, toothed belts and wheels, shanks, brake belts, starter ratchets and ropes, piston rings, etc. Their replacement during the warranty period is a paid service;
- power cords, in case of damage to the insulation, power cords are subject to mandatory replacement without the consent of the owner (paid service);
- tool case.

Русский

Общие указания по технике безопасности для электроинструментов



ПРЕДУПРЕЖДЕНИЕ Прочтите все указания и инструкции по технике безопасности. Несоблюдение указаний и инструкций по технике безопасности может стать причиной поражения электрическим током, пожара и тяжелых травм.

Сохраняйте эти инструкции и указания для будущего использования.

Использованное в настоящих инструкциях и указаниях понятие «электроинструмент» распространяется на электроинструмент с питанием от сети (с сетевым шнуром) и на аккумуляторный электроинструмент (без сетевого шнура).

Безопасность рабочего места

- ▶ Рабочее место должно быть чистым и хорошо освещенным. В захламленных или темных местах вероятны несчастные случаи.
- ▶ Не используйте электроинструменты во взрывоопасных средах, например, в присутствии легковоспламеняющихся жидкостей, газов или пыли. Электроинструменты создают искры, которые могут стать причиной воспламенения пыли или паров.
- ▶ Во время работы электроинструмента не допускайте присутствия детей и других лиц. Отвлечение внимания может привести к потере контроля.

Электробезопасность

- ▶ Штепсельная вилка электроинструмента должна подходить к штепсельной розетке. Ни в коем случае не вносите изменения в штепсельную вилку. Не применяйте переходные штекеры для электроинструментов с защитным заземлением. Неизменные штепсельные вилки и подходящие штепсельные розетки снижают риск поражения электротоком.
- ▶ Предотвращайте телесный контакт с заземленными поверхностями, как то: с трубами, элементами отопления, кухонными плитами и холодильниками. При заземлении Вашего тела повышается риск поражения электротоком.
- ▶ Защищайте электроинструмент от дождя и сырости. Проникновение воды в электроинструмент повышает риск поражения электротоком.

- ▶ Не разрешается использовать шнур не по назначению. Никогда не используйте шнур для транспортировки или подвески электроинструмента, или для извлечения вилки из штепсельной розетки. Защищайте шнур от воздействия высоких температур, масла, острых кромок или подвижных частей электроинструмента. Поврежденный или спутанный шнур повышает риск поражения электротоком.
- ▶ При работе с электроинструментом под открытым небом применяйте пригодные для этого кабели-удлинители. Применение пригодного для работы под открытым небом кабеля-удлинителя снижает риск поражения электротоком.
- ▶ Если невозможно избежать применения электроинструмента в сыром помещении, подключайте электроинструмент через устройство защитного отключения. Применение устройства защитного отключения снижает риск электрического поражения.

Безопасность людей

- ▶ Будьте внимательны, следите за тем, что делаете, и продуманно начинайте работу с электроинструментом. Не пользуйтесь электроинструментом в усталом состоянии или под воздействием наркотиков, алкоголя или лекарственных средств. Один момент невнимательности при работе с электроинструментом может привести к серьезным травмам.
- ▶ Применяйте средства индивидуальной защиты. Всегда носите защитные очки. Использование средств индивидуальной защиты, как то: защитной маски, обуви на нескользящей подошве, защитного шлема или средств защиты органов слуха, в зависимости от вида работы с электроинструментом снижает риск получения травм.
- ▶ Предотвращайте непреднамеренное включение электроинструмента. Перед тем как подключить электроинструмент к сети и/или к аккумулятору, поднять или перенести электроинструмент, убедитесь, что он выключен. Удержание пальца на выключателе при транспортировке электроинструмента и подключение к сети питания включенного электроинструмента чревато несчастными случаями.

- ▶ **Убирайте установочный инструмент или гаечные ключи до включения электроинструмента.** Инструмент или ключ, находящийся во вращающейся части электроинструмента, может привести к травмам.
- ▶ **Не принимайте неестественное положение корпуса тела. Всегда занимайте устойчивое положение и сохраняйте равновесие.** Благодаря этому Вы можете лучше контролировать электроинструмент в неожиданных ситуациях.
- ▶ **Носите подходящую рабочую одежду. Не носите широкую одежду и украшения. Держите волосы и одежду вдали от подвижных деталей.** Широкая одежда, украшения или длинные волосы могут быть затянuty вращающимися частями.
- ▶ **При наличии возможности установки пылеотсасывающих и пылесборных устройств проверяйте их присоединение и правильное использование.** Применение пылеотсоса может снизить опасность, создаваемую пылью.
- ▶ **Хорошее знание электроинструментов, полученное в результате частого их использования, не должно приводить к самоуверенности и игнорированию техники безопасности обращения с электроинструментами.** Одно небрежное действие за долю секунды может привести к серьезным травмам.
- ▶ **ВНИМАНИЕ!** В случае возникновения перебоя в работе электроинструмента вследствие полного или частичного прекращения энергоснабжения или повреждения цепи управления энергоснабжением установите выключатель в положение Выкл., убедившись, что он не заблокирован (при его наличии). Отключите сетевую вилку от розетки или отсоедините съёмный аккумулятор. Этим предотвращается неконтролируемый повторный запуск.

Применение электроинструмента и обращение с ним

- ▶ **Не перегружайте электроинструмент. Используйте для работы соответствующий специальный электроинструмент.** С подходящим электроинструментом Вы работаете лучше и надежнее в указанном диапазоне мощностей.
- ▶ **Не работайте с электроинструментом при неисправном выключателе.**

Электроинструмент, который не поддается включению или выключению, опасен и должен быть отремонтирован.

- ▶ **Перед тем как настраивать электроинструмент, заменять принадлежности или убирать электроинструмент на хранение, отключите штепсельную вилку от розетки сети и/или выньте, если это возможно, аккумулятор.** Эта мера предосторожности предотвращает непреднамеренное включение электроинструмента.
- ▶ **Храните электроинструменты в недоступном для детей месте. Не разрешайте пользоваться электроинструментом лицам, которые не знакомы с ним или не читали настоящих инструкций.** Электроинструменты опасны в руках неопытных лиц.
- ▶ **Прибор не предназначен для использования лицами (включая детей) с пониженными физическими, чувственными или умственными способностями или при отсутствии у них опыта или знаний, если они не находятся под контролем или не проинструктированы об использовании прибора лицом, ответственным за их безопасность.**
- ▶ **Тщательно ухаживайте за электроинструментом и принадлежностями. Проверяйте безупречную функцию и ход движущихся частей электроинструмента, отсутствие поломок или повреждений, отрицательно влияющих на функцию электроинструмента. Поврежденные части должны быть отремонтированы до использования электроинструмента.** Плохое обслуживание электроинструментов является причиной большого числа несчастных случаев.
- ▶ **Держите режущий инструмент в заточенном и чистом состоянии.** Заботливо ухоженные режущие инструменты с острыми режущими кромками режут заклиниваются и их легче вести.
- ▶ **Применяйте электроинструмент, принадлежности, рабочие инструменты и т. п. в соответствии с настоящими инструкциями. Учитывайте при этом рабочие условия и выполняемую работу.** Использование электроинструментов для непредусмотренных работ может привести к опасным ситуациям.

► **Держите ручки и поверхности захвата сухими и чистыми, следите чтобы на них не было жидкой или консистентной смазки.** Скользкие ручки и поверхности захвата препятствуют безопасному обращению с инструментом и не дают надежно контролировать его в непредвиденных ситуациях.

Указания по технике безопасности для электролобзиков

- **При выполнении работ, при которых рабочей инструмент может задеть скрытую электропроводку или свой собственный шнур питания, держите инструмент за изолированные поверхности.** Контакт с находящейся под напряжением проводкой может зарядить металлические части электроинструмента и привести к удару электрическим током.
- **Закрепите обрабатываемую заготовку на стабильном основании с помощью зажимов или иным удобным способом.** Удерживанием обрабатываемой заготовки в руке или прижим ее к себе не обеспечивается ее стабильное удержание, и она может выйти изпод контроля.
- **Не подставляйте руки в зону пиления. Не подставляйте руки под заготовку.** При контакте с пыльным полотном возникает опасность травмирования.
- **Подводите электроинструмент к детали только во включенном состоянии.** В противном случае возникает опасность обратного удара при заклинивании рабочего инструмента в детали.
- **Следите за тем, чтобы опорная плита во время пиления всегда плотно прилегала к основанию.** Перекошенное пыльное полотно может обломаться или привести к обратному удару.
- **По окончании рабочей операции выключите электроинструмент; вытягивайте пыльное полотно из прорези только после его полной остановки.** Этим Вы предотвратите рикошет и можете после этого без каких-либо рисков положить электроинструмент.
- **Выждите полной остановки электроинструмента и только после этого выпускайте его из рук.** Рабочий инструмент может заест, и это может

привести к потере контроля над электроинструментом.

- **Используйте только неповрежденные, пыльные полотна.** Изогнутые или затупившиеся пыльные полотна могут переломиться; использование таких полотен может отрицательно сказаться на качестве распила или вызвать рикошет.
- **Не затормаживайте пыльное полотно после выключения боковым прижатием.** Это может повредить пыльное полотно, обломать его или привести к рикошету.
- **Используйте соответствующие металлоискатели для нахождения скрытых в стене труб или проводки обращайтесь за справкой в местное коммунальное предприятие.** Контакт с электропроводкой может привести к пожару и поражению электротоком. Повреждение газопровода может привести к взрыву. Повреждение водопровода ведет к нанесению материального ущерба.
- **Установленная на корпусе защита от прикосновения предотвращает непреднамеренное прикосновение к пыльному полотну во время работы; снимать ее нельзя.**
- **Распиливайте с погружением только мягкие материалы, напр., древесину, гипсокартон и т. п.**
- **Защитная накладка может предотвратить появление царапин на поверхности.**

Описание продукта и услуг



Прочтите все указания и инструкции по технике безопасности. Несоблюдение указаний по технике безопасности и инструкций может привести к поражению электрическим током, пожару и/или тяжелым травмам.

Пожалуйста, соблюдайте в начале руководства по эксплуатации.

Применение по назначению

Электроинструмент предназначен для выполнения на прочной опоре распилов и вырезов в древесине, синтетическом материале, металле, керамических плитах и резине. Он пригоден для выполнения прямых и криволинейных резов с углом наклона до 45°. Учитывайте рекомендации по применению пыльных полотен.

Изображенные составные части

Нумерация представленных компонентов выполнена по изображению на странице с иллюстрациями.

- (1) Выключатель
- (2) Установочное колесико числа частоты ходов
- (3) Шестигранный штифтовый ключ
- (4) Опорная плита
- (5) Рычаг установки маятникового движения
- (6) Рычаг SDS для разблокировки пильного полотна
- (7) Направляющий ролик
- (8) Пильное полотно
- (9) Защита от прикосновения
- (10) Рукоятка (с изолированной поверхностью)
- (11) Крепление пильного полотна
- (12) Защитная накладка
- (13) Защитное стекло
- (14) Патрубок пылеудаления
- (15) Адаптер для подключения пылесоса
- (16) Винт опорной плиты
- (17) Шкала угла распила
- (18) Направляющая параллельного упора
- (19) Крепежный винт параллельного упора

Технические характеристики

Модель	PST110-C
Напряжение	220 В / 50 Гц
Номинальная мощность	750 Вт
Частота возвратно-поступательного движения	1000-3100 об/мин
Глубина пропила древесины	110 мм(4-11/32")
Глубина реза металла	26 мм(1")
Вес	3,4 кг

Комплект поставки

Лобзик	1 шт
Пильное полотно по дереву	1 шт
Пильное полотно по металлу	1 шт
Крепежные винты	2 шт
Параллельный упор	1 шт
Патрубок пылеудаления	1 шт
Шестигранный ключ	1 шт
Руководство по эксплуатации	1 шт

Примечание

Так как инструмент P.I.T. постоянно совершенствуется, компания оставляет за собой право вносить изменения в указанные здесь технические характеристики и ком-

плектацию без предварительного уведомления.

Сборка

- ▶ **Перед любыми манипуляциями с электроинструментом вытаскивайте штепсель из розетки.**

Установка/смена пильного полотна

- ▶ **При установке и смене рабочего инструмента надевайте защитные перчатки.** Рабочие инструменты острые и при длительном использовании могут нагреваться.

Выбор пильного полотна

Обзор рекомендуемых пильных полотен Вы найдете в конце настоящего руководства. Используйте только пильные полотна одноручачкового типа (с Т-хвостовиком). Длина пильного полотна не должна быть больше, чем это необходимо для предусто-тренного распила.

Используйте для выполнения криволинейных распилов узкое пильное полотно.

Установка пильного полотна (см. рис. А)

- ▶ **Очищайте хвостовик пильного полотна перед установкой.** Загрязненный хвостовик не может быть надежно закреплен.

Прижмите рычаг SDS до упора вперед и удерживайте его прижатым. Вставьте пильное полотно, зубьями в сторону реза так, чтобы оно вошло в зацепление в держателе пильного полотна.

Вставляя пильное полотно, следите за тем, чтобы спинка пильного полотна лежала в выемке направляющего ролика.

- ▶ **Проверьте прочность посадки пильного полотна.** Плохо закрепленное пильное полотно может выпасть и поранить Вас.

Выброс пильного полотна (см. рис. В)

- ▶ **При вытаскивании пильного полотна держите электроинструмент так, чтобы не травмировать окружающих лиц и животных.**

Прижмите рычаг SDS до упора вперед. Пильное полотно разблокируется и вытолкнется из креплений.

Защитная накладка (см. рис. С)

При обработке легко повреждаемых поверхностей можно установить защитную накладку на опорную плиту, чтобы предотвратить царапание поверхности.

Чтобы надеть защитную накладку, повесьте её спереди на опорную плиту, прижмите в задней части снизу вверх и дайте войти в зацепление.

Удаление пыли и стружки

Пыль некоторых материалов, как напр., красок с содержанием свинца, некоторых сортов древесины, минералов и металлов, может быть вредной для здоровья.

Прикосновение к пыли и попадание пыли в дыхательные пути может вызвать аллергические реакции и/или заболевания дыхательных путей оператора или находящегося вблизи персонала.

Определенные виды пыли, напр., дуба и бука, считаются канцерогенными, особенно совместно с присадками для обработки древесины (хромат, средство для защиты древесины). Материал с содержанием асбеста разрешается обрабатывать только специалистам.

- По возможности используйте пригодную для материала систему пылеудаления.
- Хорошо проветривайте рабочее место.
- Рекомендуется пользоваться респираторной маской с фильтром класса P2.

Соблюдайте действующие в Вашей стране предписания для обрабатываемых материалов.

► **Избегайте скопления пыли на рабочем месте.** Пыль может легко воспламениться.

Защитное стекло (см. рис. D)

Монтируйте защитное стекло, до присоединения электроинструмента к пылесосу. Наденьте защитное стекло на электроинструмент так, чтобы крепление вошло в зацепление на.

При работе без системы пылеудаления и пилении под углом снимайте защитное стекло.

Присоединение устройства пылеудаления (см. рис. E-F)

Вставьте патрубок пылеудаления в вырез в опорной плите.

Следите за тем, чтобы кулачок на патрубке пылеудаления, как показано на рис., вошел в зацепление в отверстии в опорной плите. Наденьте шланг пылеудаления на патрубок пылеудаления. Подсоедините шланг пыле-

удаления к пылесосу.

Для оптимального пылеудаления установите, по возможности, защиту от вырывания материала.

Отключите устройство для сдувания стружки, если присоединено устройство пылеудаления.

Пылесос должен быть пригоден для обрабатываемого материала.

Работа с инструментом

Режимы работы

Перед любыми манипуляциями с электроинструментом вытаскивайте штепсель из розетки.

Настройка маятникового движения

Четыре ступени маятникового движения позволяют оптимальным образом привести скорость резания, мощность пиления и рисунок шлифованной поверхности в соответствие с обрабатываемым материалом.

Ступень 0 без маятникового движения

Ступень I слабое маятниковое движение

Ступень II среднее маятниковое движение

Ступень III сильное маятниковое движение

Оптимальную ступень маятникового движения можно

определить пробным пилением. При этом руководствуйтесь следующими рекомендациями:

- Чем тоньше и чище должны быть кромки распила, тем более низкую степень маятникового колебания нужно выбирать, или вообще отключите маятниковые колебания.
- При работе с тонким материалом (напр., листами) отключайте маятниковое колебание.
- При работе с твердыми материалами (напр., сталью) используйте слабое маятниковое колебание.
- Для мягких материалов и при пилении древесины в направлении волокна Вы можете работать с максимальными маятниковыми колебаниями.

Настройка угла распила (см. рис. H)

Для пиления под углом опорную плиту можно повернуть влево или вправо на угол до 45°.

При косой распиловке нельзя использовать защитное стекло, патрубок пылеудаления и защиту от вырывания материала.

- Слегка прижмите патрубок пылеудаления вверх и снимите его с опорной плиты.

- Снимите защитное стекло и защиту от вырывания материала.
- Отпустите винт с помощью ключа-шестигранника и слегка сдвиньте опорную плиту в направлении сетевого шнура.
- Для более точной настройки угла распила на опорной плите справа и слева есть несколько точек зацепления. Наклоните опорную плиту в соответствии со шкалой в требуемое положение. Другие значения угла наклона могут быть установлены с помощью угломера.
- Затем передвиньте опорную плиту до упора в направлении пильного полотна.
- Снова туго затяните винт.

Смещение опорной плиты (см. рис. H)

Для пиления плотную к краю опорную плиту можно сместить назад.

Отпустите винт и сдвиньте опорную плиту до упора в направлении шнура питания.

Снова туго затяните винт.

Распиловка со смещенной опорной плитой возможна только при угле скоса 0°. Кроме того, нельзя использовать параллельный упор с устройством для вырезания по кругу и защиту от вырывания материала.

Включение электроинструмента

- ▶ **Примите во внимание напряжение в сети! Напряжение источника питания должно соответствовать данным на заводской табличке электроинструмента.**

Включение: сдвиньте переключатель (1) вперед. Для непрерывной работы нажмите на переключатель до его фиксации.

Выключение: нажмите на задний конец переключателя (1), а затем отпустите.

Предварительная установка числа ходов

При помощи установочного колесика числа частоты ходов можно предварительно настраивать частоту ходов и изменять ее во время работы.

Необходимая частота ходов зависит от материала и рабочих условий и может быть определена методом проб.

При подводе пильного полотна к заготовке и при распиливании пластмасс и алюминия рекомендуется уменьшать частоту ходов.

При продолжительной работе с низкой частотой ходов электроинструмент может сильно нагреться. Выньте пильное полотно из электроинструмента и для охлаждения включите его с макс. числом ходов прибор.

на 3 мин

Указания по применению

- ▶ **Перед любыми манипуляциями с электроинструментом вытаскивайте штепсель из розетки.**
- ▶ **При блокировании пильного полотна немедленно выключайте электроинструмент.**
- ▶ **При обработке маленьких или тонких деталей всегда используйте прочную опору или пильный стол(принадлежности).**

Перед распиливанием древесины, древесностружечных плит, строительных материалов и т.д. проверяйте их на предмет наличия гвоздей, шурупов и т.д., и при необходимости удалите их.

Пиление с погружением (см. рис. G)

- ▶ **Распиливать с погружением можно только мягкие материалы, напр., древесину, гипсокартон и т.п.!**

Для пиления с погружением применяйте только короткие пильные полотна. Пиление с погружением возможно только под углом распила 0°.

Установите электроинструмент передней кромкой опорной плиты на заготовку, не касаясь при этом заготовки пильным полотном, и включите электроинструмент. Если электроинструмент имеет регулятор частоты ходов, установите максимальную частоту. Крепко прижмите электроинструмент к заготовке и дайте пильному полотну медленно углубиться в заготовку.

Как только опорная плита всей плоскостью ляжет на заготовку, продолжайте пилить дальше по требуемой линии распила.

Параллельный упор

Для работ с параллельным упором толщина заготовки не должна превышать 30 мм.

Параллельные резы: Отпустите фиксирующий винт и вставьте шкалу параллельного упора в направляющую в опорной плите. Установите желаемую ширину реза на шкале у внутренней кромки опорной плиты. Туго затяните фиксирующий винт.

Параллельный упор можно также использовать в комбинации с направляющей рейкой.

Смазывающе-охлаждающее средство

При распиливании металла нанесите для охлаждения материала вдоль линии распи-

ла смазывающее-охлаждающее средство.

Техобслуживание и сервис

Техобслуживание и очистка

- ▶ Перед любыми манипуляциями с электроинструментом вытаскивайте штепсель из розетки.
- ▶ Для обеспечения качественной и безопасной работы содержите электроинструмент и вентиляционные прорези в чистоте.

Если требуется поменять шнур, во избежание опасности обращайтесь на фирму P.I.T. или в авторизованную сервисную мастерскую для электроинструментов P.I.T.

Регулярно очищайте гнездо пильного полотна. Для этого извлеките пильное полотно из электроинструмента и слегка постучите электроинструментом о ровную поверхность.

Сильное загрязнение электроинструмента может вести к нарушению функциональной способности. Поэтому не распиливайте материалы с сильным пылеобразованием снизу или над головой.

Если выходное отверстие для пыли засорилось, выключите электроинструмент, удалите пыль и стружку.

Время от времени смазывайте направляющий ролик каплей масла.

Регулярно проверяйте направляющий ролик. Изношенный ролик должен быть заменен в авторизованной сервисной мастерской для электроинструментов P.I.T.

Сервис

- ▶ Ремонт Вашего электроинструмента поручайте только квалифицированному персоналу и только с применением оригинальных запасных частей. Этим обеспечивается безопасность электроинструмента.

Список авторизованных сервисных центров можно посмотреть на официальном сайте P.I.T. по ссылке: <https://pittools.ru/services/>

Хранение и транспортировка

Храните инструмент в закрытых помещениях с естественной вентиляцией в упаковке при температуре воздуха от 0°C до +50°C и влажности воздуха не более 80%.

Транспортировать продукцию можно любым видом закрытого транспорта в упаковке производителя или без нее, с сохранением изделия от механических повреждений, атмосферных осадков. Перед транспортировкой извлеките сменный инструмент из электроинструмента.

Утилизация

Отслужившие свой срок электроинструменты, принадлежности и упаковку следует сдавать на экологически чистую переработку отходов.



Утилизируйте электроинструмент

отдельно от бытового мусора!

РАСШИФРОВКА ДАТЫ ИЗГОТОВЛЕНИЯ ИЗДЕЛИЯ

№.

1	7	0	7	3	0	0	3	9	5
---	---	---	---	---	---	---	---	---	---

год месяц день

Дата изготовления изделия зашифрована в серийном номере, напечатанном на корпусе инструмента. Первые 2 цифры обозначают год выпуска, следующие 2 цифры – месяц и следующие 2 цифры – день.

УСЛОВИЯ ГАРАНТИЙНОГО ОБСЛУЖИВАНИЯ

1. Настоящее гарантийное свидетельство является единственным документом, подтверждающим ваше право на бесплатное гарантийное обслуживание. Без предъявления данного свидетельства претензии не принимаются. В случае утери или порчи гарантийное свидетельство не восстанавливается.

2. Гарантийный срок на электроинструмент, а также зарядные устройства и аккумуляторные батареи серии OnePower составляет 12 месяцев со дня продажи, в течение гарантийного срока сервисная служба бесплатно устраняет производственные дефекты и производит замену деталей, вышедших из строя по вине изготовителя. На период гарантийного ремонта эквивалентный исправный инструмент не предоставляется. Заменяемые детали переходят в собственность служб сервиса.

Компания P.I.T. не несет ответственности за вред, который может быть причинен при работе с электроинструментом.

3. В гарантийный ремонт инструмент принимается в чистом виде, при обязательном наличии надлежащим образом оформленных документов: настоящего гарантийного свидетельства, гарантийного талона, с полностью заполненными полями, штампом торговой организации и подписью покупателя.

4. Гарантийный ремонт не производится в следующих случаях:

- при отсутствии гарантийного свидетельства и гарантийного талона или неправильном их оформлении;
- при совместном выходе из строя якоря и статора электродвигателя, при обугливание или оплавлении первичной обмотки трансформатора сварочного аппарата, зарядного или пуско-зарядного устройства, при оплавлении внутренних деталей, прожиге электронных плат;
- если гарантийное свидетельство или талон не принадлежат данному электроинструменту или не соответствует установленному поставщиком образцу;
- по истечении срока гарантии;
- при попытках самостоятельного вскрытия или ремонта электроинструмента вне гарантийной мастерской;
- внесения конструктивных изменений и смазки инструмента в гарантийный период, о чем свидетельствуют, например, заломы на шлицевых частях крепежа корпусных деталей.
- при использовании электроинструмента в производственных или иных целях, связанных с получением прибыли, а также при возникновении неисправностей связанных с нестабильностью параметров электросети, превышающих нормы, установленные ГОСТ;
- при неправильной эксплуатации (использование электроинструмента не по назначению, установки на электроинструмент не предназначенных заводом-изготовителем насадок, дополнительных приспособлений и т.п.;
- при механических повреждениях корпуса, сетевого шнура и при повреждениях, вызванных воздействиями агрессивных средств и высоких и низких температур, попадании инородных предметов в вентиляционные решетки электроинструмента, а также при повреждениях, наступивших в результате неправильного хранения (коррозия металлических частей);
- при естественном износе деталей электроинструмента, в результате длительной эксплуатации (определяется по признакам полной или частичной выработки ресурса, сильного загрязнения, ржавчины снаружи и внутри электроинструмента, отработанной смазки в редукторе);
- использование инструмента не по назначению, указанному в инструкции по эксплу-

тации.

- при механических повреждениях инструмента;
- при возникновении повреждений в связи с несоблюдением предусмотренных инструкцией условий эксплуатации (см. главу «Указание по технике безопасности» в инструкции).
- повреждение изделия вследствие несоблюдения правил хранения и транспортировки.
- при сильном внутреннем загрязнении инструмента.

Профилактическое обслуживание электроинструмента (чистка, промывка, смазка, замена пыльников, поршневых и уплотнительных колец) в гарантийный период является платной услугой.

Срок службы изделия составляет 3 года. Срок хранения – 2 года. Не рекомендуется к эксплуатации по истечении 2 лет хранения с даты изготовления, которая указана в серийном номере на этикетке инструмента, без предварительной проверки (определение даты выпуска смотрите ранее в Руководстве пользователя).

О возможных нарушениях, изложенных выше условий гарантийного обслуживания, владельцу сообщается после проведения диагностики в сервисном центре.

Владелец инструмента доверяет проведение диагностики в сервисном центре в свое отсутствие.

Запрещается эксплуатация электроинструмента при проявлении признаков повышенного нагрева, искрения, а также шума в редукторной части. Для выяснения причин неисправности покупателю следует обратиться в гарантийную мастерскую.

Неисправности, вызванные несвоевременной заменой угольных щеток двигателя, устраняются за счет покупателя.

5. Гарантия не распространяется на:

- сменные принадлежности (аксессуары и оснастка), например: аккумуляторы, диски, ножи, сверла, буры, патроны, цепи, звездочки, цанговые зажимы, шины, элементы натяжения и крепления, головки триммеров, подошвы шлифовальных и ленточных машин, фильтры, головки шестигранные сменные насадки и т.п.
- быстроизнашивающиеся детали, например: угольные щетки, приводные ремни, сальники, защитные кожухи, направляющие ролики, направляющие, резиновые уплотнения, подшипники, зубчатые ремни

и колеса, стволы, ленты тормоза, храповики и тросы стартеров, поршневые кольца и т.п.

Замена их в течение гарантийного срока является платной услугой.

-шнуры питания, в случае повреждения изоляции, шнуры питания подлежат обязательной замене без согласия владельца (услуга платная), в т.ч. корпуса инструмента.

ГАРАНТИЙНОЕ СВИДЕТЕЛЬСТВО НА ИНСТРУМЕНТ P.I.T.

Наименование изделия _____

Серийный номер изделия □□□□□□□□□□

Серийный номер зарядного устройства □□□□□□□□□□

Дата продажи « ____ » _____

Наименование торговой организации _____

Уважаемый покупатель!

М.П.

Благодарим Вас за покупку инструмента P.I.T. и надеемся, что Вы останетесь довольны своим выбором.

При необходимости обслуживания Вашего изделия обращайтесь в авторизованные сервисные центры P.I.T. Все сервисные центры представлены на сайте www.pittools.ru

Внимание!

При покупке требуйте у продавца проверки работоспособности инструмента и его комплектности, а также заполнения гарантийного свидетельства, гарантийного талона (графы «Заполняются продавцом») и простановки печати торговой организации в гарантийном свидетельстве и гарантийных талонах.

Гарантия

На основании данного гарантийного свидетельства компания P.I.T. гарантирует отсутствие дефектов производственного характера.

Если в течение гарантийного срока в Вашем изделии обнаружатся указанные дефекты, то специализированные сервисные центры P.I.T. бесплатно отремонтируют изделие и заменят дефектные запасные части.

Гарантийный срок на электроинструменты P.I.T. составляет 12 месяцев со дня продажи.

«С условиями гарантийного обслуживания ознакомлен(а). Работоспособность и комплектность изделия проверены в моем присутствии. Претензий к качеству и внешнему виду не имею».

Подпись покупателя _____ Фамилия (разборчиво) _____

Телефон _____

P.I.T. WARRANTY CARD

Name _____ Serial Number _____ Sale Date _____ 20__ Date of Receipt from Repair _____ 20__	P.I.T.		№ 1
	Name _____		Place of Seal
	Serial Number _____		
	Sale Date _____ 20__		
	(Filled out by a Seller)		
	WARRANTY REPAIR CARD		
	Date of Acceptance for Repair _____ 20__		
	Application for Repair _____		
	Customer _____		
	Phone (Address) _____		
Cause of Application _____			
Date of Receipt from Repair _____ 20__			
The Tool is checked in my presence _____			
(The Order shall be performed in a Service Center) (Signature)			

Name _____ Serial Number _____ Sale Date _____ 20__ Date of Receipt from Repair _____ 20__	P.I.T.		№ 2
	Name _____		Place of Seal
	Serial Number _____		
	Sale Date _____ 20__		
	(Filled out by a Seller)		
	WARRANTY REPAIR CARD		
	Date of Acceptance for Repair _____ 20__		
	Application for Repair _____		
	Customer _____		
	Phone (Address) _____		
Cause of Application _____			
Date of Receipt from Repair _____ 20__			
The Tool is checked in my presence _____			
(The Order shall be performed in a Service Center) (Signature)			

Name _____ Serial Number _____ Sale Date _____ 20__ Date of Receipt from Repair _____ 20__	P.I.T.		№ 3
	Name _____		Place of Seal
	Serial Number _____		
	Sale Date _____ 20__		
	(Filled out by a Seller)		
	WARRANTY REPAIR CARD		
	Date of Acceptance for Repair _____ 20__		
	Application for Repair _____		
	Customer _____		
	Phone (Address) _____		
Cause of Application _____			
Date of Receipt from Repair _____ 20__			
The Tool is checked in my presence _____			
(The Order shall be performed in a Service Center) (Signature)			

ГАРАНТИЙНЫЙ ТАЛОН P.I.T.

P.I.T.

Талон № 1

Наименование _____
 Серийный номер _____
 Дата продажи « ____ » _____ 20__ Place of Seal
 (Заполняется продавцом)
 КАРТА ГАРАНТИЙНОГО РЕМОНА
 Дата приема ремонт _____ 20__
 Заявка на ремонт _____
 Заказчик _____
 Телефон (адрес) _____
 Причина обращения _____
 Дата получения от ремонта _____ 20__
 Инструмент проверен в моем присутствии _____
 (Заказ заполняется в Сервисном Центре) (Подпись)

Наименование _____
 Серийный номер _____
 Дата продажи _____ 20__
 Дата получения от ремонта _____ 20__

P.I.T.

Талон № 2

Наименование _____
 Серийный номер _____
 Дата продажи « ____ » _____ 20__ Place of Seal
 (Заполняется продавцом)
 КАРТА ГАРАНТИЙНОГО РЕМОНА
 Дата приема ремонт _____ 20__
 Заявка на ремонт _____
 Заказчик _____
 Телефон (адрес) _____
 Причина обращения _____
 Дата получения от ремонта _____ 20__
 Инструмент проверен в моем присутствии _____
 (Заказ заполняется в Сервисном Центре) (Подпись)

Наименование _____
 Серийный номер _____
 Дата продажи _____ 20__
 Дата получения от ремонта _____ 20__

P.I.T.

Талон № 3

Наименование _____
 Серийный номер _____
 Дата продажи « ____ » _____ 20__ Place of Seal
 (Заполняется продавцом)
 КАРТА ГАРАНТИЙНОГО РЕМОНА
 Дата приема ремонт _____ 20__
 Заявка на ремонт _____
 Заказчик _____
 Телефон (адрес) _____
 Причина обращения _____
 Дата получения от ремонта _____ 20__
 Инструмент проверен в моем присутствии _____
 (Заказ заполняется в Сервисном Центре) (Подпись)

Наименование _____
 Серийный номер _____
 Дата продажи _____ 20__
 Дата получения от ремонта _____ 20__



www.pit-tools.com

P.I.T.

Поставщик / производитель: Xinjiang Longbo Industrial Co., Ltd./Синьцзян Лонгбо Индастриал Ко.,Лтд.

Адрес производства: Rm. 602, 6th Floor, No. 531, Weixing Road, Economic And Technological Development Zone, Urumqi, Xinjiang, China / Оф.602, 6 этаж, №531, Вейшинг Род, Экономик Энд Технолджикал Девелопмент Зон, Урумчи, Синьцзян, Китай

Импортер/ организация, уполномоченная принимать претензии: ООО «Турбо-Тулс»
Юридический адрес: 117246, г. Москва, ул. Херсонская, 43 - 670

Вопросы и предложения направляйте по адресу: 614058, г. Пермь, ул. Фоминская, 36
Горячая линия по сервисному обслуживанию:



***2445**

Звонок с мобильного
бесплатный

info@pittools.ru

Сделано в КНР / Made in China

ERC