



# P.I.T.<sup>®</sup>

Progressive Innovational Technology

**EN**

PRODUCT PASSPORT  
USER'S MANUAL

**RU**

ПАСПОРТ ИЗДЕЛИЯ  
ИНСТРУКЦИЯ ПОЛЬЗОВАТЕЛЯ

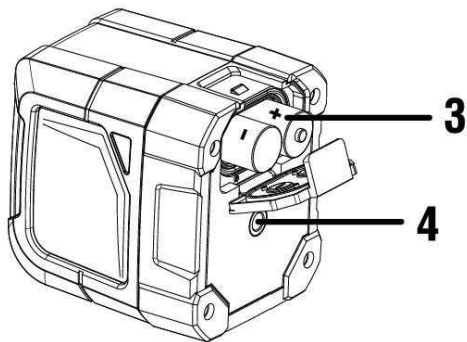
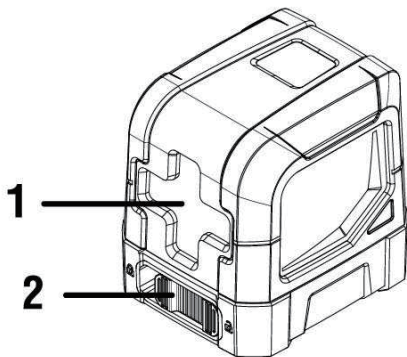
## **LASER LEVEL** **ЛАЗЕРНЫЙ УРОВЕНЬ**

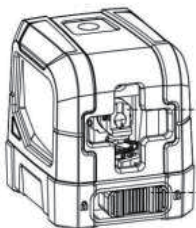


**PLE-2A**  
**PLE-2B**

**PROGRESSIVE INNOVATIONAL TECHNOLOGY**  
**ПРОГРЕССИВНЫЕ ИННОВАЦИОННЫЕ ТЕХНОЛОГИИ**



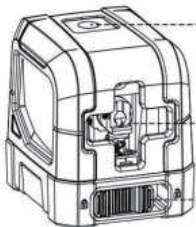




On



+/- 4°



On



Off

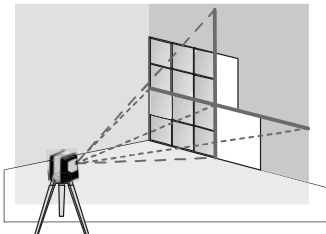
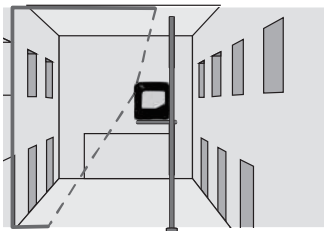
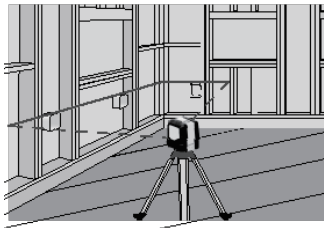


Self-Leveling



**2x**





## SAFETY INSTRUCTIONS

All instructions must be read and observed in order for the measuring tool to function safely. The safeguards integrated into the measuring tool may be compromised if the measuring tool is not used in accordance with these instructions. Never make warning signs on the measuring tool unrecognisable.

**SAVE THESE INSTRUCTIONS FOR FUTURE REFERENCE AND INCLUDE THEM WITH THE MEASURING TOOL WHEN TRANSFERRING IT TO A THIRD PARTY.**

- Warning! If operating or adjustment devices other than those specified here are used or other procedures are carried out, this can lead to dangerous exposure to radiation.
- The measuring tool is delivered with a warning label (marked in the illustration of the measuring tool on the graphics page).
- If the text on the warning label is not in your native language, cover it with the label supplied, which is in your language, before initial commissioning.

**Do not direct the laser beam at persons or animals and do not look directly into the laser beam or at its reflection.**

Doing so could lead to blindness, or could cause accidents or damage to the eyes.

- **If laser radiation hits your eye, you must close your eyes and immediately turn your head away from the beam.**
- **Do not make any modifications to the laser equipment.**
- **Do not use the laser goggles as protective goggles.** The laser goggles make the laser beam easier to see; they do not protect you against laser radiation.
- **Do not use the laser goggles as sunglasses or while driving.** The laser goggles do not provide full UV protection and impair your ability to see colours.
- **Have the measuring tool serviced only by a qualified specialist using only original replacement parts.** This will ensure that the safety of the measuring tool is maintained.

- **Do not let children use the laser measuring tool unsupervised.** They could accidentally dazzle someone.
- **Do not use the measuring tool in explosive atmospheres which contain flammable liquids, gases or dust.** Sparks may be produced inside the measuring tool, which can ignite dust or fumes.

**Keep the measuring tool away from cardiac pacemakers.**

The magnet inside the measuring tool generates a field that can impair the function of cardiac pacemakers.

- **Keep the measuring tool away from magnetic data carriers and magnetically sensitive equipment.** The effect of the magnet can lead to irreversible data loss.

**Product Description and Specifications**

Please observe the illustrations at the beginning of this operating manual.

- (1) Laser beam outlet aperture
- (2) Power / lock
- (3) Battery Compartment
- (4) 1/4 -20 Mounting Thread

**Intended Use**

The measuring tool is intended for determining and checking horizontal and vertical lines.

The measuring tool is suitable for indoor use.

**Technical data**

Model	PLE-2A	PLE-2B
Laser Class	Class 2	Class 2
Laser Wavelength	635nm	520nm
Leveling Accuracy	±3mm/10m	±3mm/10m
Horizontal/Vertical Accuracy	±3mm/10m	±3mm/10m
Leveling/Compensation Range	4°±1°	4°±1°
Working Distance (Line)	15m	30m
Operating Time	8 Hours	4 Hours
Power Source	2×“AA” (LR6)	2×“AA” (LR6)
IP Rating	IP54	IP54
Operation Temperature Range	-10°C to 50°C	-10°C to 50°C
Storage Temperature Range	-20°C to 70°C	-20°C to 70°C

## ASSEMBLY

### Inserting/changing the batteries

It is recommended that you use alkaline manganese batteries to operate the measuring tool.

Push the locking mechanism in the direction of the arrow to open the battery compartment cover and remove the battery compartment cover. Insert the batteries supplied.

When inserting the batteries, ensure that the polarity is correct according to the illustration on the inside of the battery compartment.

If the batteries become weak, the laser lines will flash quickly for a few seconds.

Always replace all the batteries at the same time. Only use batteries from the same manufacturer and which have the same capacity.

• **Take the batteries out of the measuring tool when you are not using it for a prolonged period of time.** The batteries can corrode and self-discharge during prolonged storage.

## OPERATION

### Start-up

• **Protect the measuring tool from moisture and direct sunlight.**

• **Do not expose the measuring tool to any extreme temperatures or variations in temperature.** For example, do not leave it in a car for extended periods of time. In case of large variations in temperature, allow the measuring tool to adjust to the ambient temperature before putting it into operation. The precision of the measuring tool may be compromised if exposed to extreme temperatures or variations in temperature.

• **Avoid substantial knocks to the measuring tool and avoid dropping it.** Damaging the measuring tool can cause accuracy to be compromised. If the laser line is subjected to a substantial knock or is dropped, check it by comparing it to a known horizontal or vertical reference line.

- **Switch the measuring tool off when transporting it.** The pendulum unit is locked when the tool is switched off, as it can otherwise be damaged by big movements.

### **Switching on/off**

To switch on the measuring tool, push the on/off switch (4) up. Immediately after switching on, the measuring tool sends two laser lines out of the outlet aperture (5).

- **Do not direct the laser beam at persons or animals and do not stare into the laser beam yourself (even from a distance).**

To switch off the measuring tool, push the on/off switch downward over the laser beam outlet aperture. The pendulum unit is locked when the tool is switched off.

- **Never leave the measuring tool unattended when switched on, and ensure the measuring tool is switched off after use.**

Others may be blinded by the laser beam.

### **Operation Modes**

- Press or slide locking switch to turn laser tool ON; short press to turn laser tool OFF when the laser tool is locked with pendulum.

### **Self-leveling Mode**

- Is enabled when the laser tool is switched to the unlocked position.

- Has laser beam(s) blink fast at 2 Hz when tool is out of self-leveling range.

- Allows proper use of tool's full time pulse mode with laser detector.

### **Manual Mode**

- Is enabled when the pendulum lock is in its locked position to position the laser tool at various angles to project non-level straight lines.

- Disables self-leveling operations; Accuracy of the beam(s) is not

guaranteed to be level, and laser beam(s) will blink about every 5 seconds.



## **Automatic levelling**

To work with automatic levelling, position the measuring tool on a level, firm surface or attach it to the holder or the tripod.

After switching on, the automatic levelling function automatically compensates irregularities within the self-levelling range of  $\pm 4^\circ$ .

The levelling is finished as soon as the laser lines stop flashing.

If automatic levelling is not possible, e.g. because the underside of the measuring tool deviates by more than  $4^\circ$  from the horizontal plane or the measuring tool is held freely in the hand, the laser lines will continuously flash slowly and the measuring tool will work without automatic levelling. The laser lines remain switched on, but the two intersecting lines will no longer necessarily be perpendicular to each other. To make sure that the two laser lines are still perpendicular to one another, position the measuring tool at an angle of  $90^\circ$  to the wall.

To work with automatic levelling again, position the measuring tool so that the underside is aligned horizontally and wait for the self-levelling to be performed. As soon as the measuring tool is within the self-levelling range of  $\pm 4^\circ$  and is levelled in, the laser lines will light up continuously again.

In case of ground vibrations or position changes during operation, the measuring tool is automatically levelled again. Upon re-levelling, check the position of the horizontal or vertical laser line with regard to the reference points to avoid errors by moving the measuring tool.

## **Laser Viewing Glasses (Accessory)**

The laser viewing glasses filter out ambient light. This makes the light of the laser appear brighter to the eye.

- Do not use the laser goggles as protective goggles. The laser goggles make the laser beam easier to see; they do not protect you against laser radiation.
- Do not use the laser goggles as sunglasses or while driving. The laser goggles do not provide full UV protection and impair your ability to see colours.

## DETAILS OF THE PRODUCTION DATE

No. 

1	7	0	7	3	0	0	3	9	5
---	---	---	---	---	---	---	---	---	---

|            |            |  
Year    Month    day

The date of manufacture of the product is encrypted in the serial number printed on the tool body. The first 2 digits indicate the year of manufacture, the next 2 digits are the month and the next 2 digits are the day

## **TERMS OF WARRANTY SERVICE**

1. This Warranty Certificate is the only document that confirms your right to free warranty service. Without presenting this certificate, no claims are accepted. In case of loss or damage, the warranty certificate is not restored.

2. The warranty period for the electric machine is 12 months from the date of sale, during the warranty period the service department eliminates manufacturing defects and replaces parts that have failed due to the fault of the manufacturer free of charge. In the warranty repair, an equivalent operable product is not provided. Replaceable parts become property of service providers.

P.I.T is not liable for any damage that may be caused by operation of the electric machine.

3. Only clean tool accompanied with the following duly executed documents: this Warranty Certificate, Warranty Card, with all fields filled out, bearing the stamp of the trade organization and the signature of the buyer, shall be accepted for warranty repair.

4. Warranty repair is not performed in the following cases:

- in the absence of a Warranty Certificate and a Warranty Card or their incorrect execution;
- with failure of both a rotor and a stator of the electric engine, charring or melting of primary winding of the welding machine transformer, charging or starting-charging device, with internal parts melting, burn down of electronic circuit boards;
- if a Warranty Certificate or a Warranty Card does not correspond to this electric machine or to the form established by the supplier;
- upon expiration of the warranty period;
- at attempts of opening or repair of the electric machine outside the warranty workshop; making constructive changes and lubrication of the tool during the warranty period, as evidenced, for example, by the creases on the spline parts of the fasteners of non-rotational parts.
- when using electric tools for production or other purposes connected with making a profit, as well as in case of malfunctions related to instability of the power network parameters exceeding the norms established by GOST;
- in the events of improper operation (use the electric machine for other than intended purposes, attachments to the electric machine of attachments, accessories, etc. not provided by the manufacturer);
- with mechanical damage to the case, power cord and in case of damages caused by aggressive agents and high and low temperatures, ingress of

foreign objects in the ventilation grids of the electric machine, as well as in case of damage resulting from improper storage (corrosion of metal parts);

- natural wear and tear on the parts of the electric machine, as a result of long-term operation (determined on the basis of the signs of full or partial depletion of the specified mean life, great contamination, presence of rust outside and inside the electric machine, waste lubricant in the gearbox);
- use of the tool for purposes other than specified in the operating instructions.

- mechanical damages to the tool;

- in the event of damages due to non-observance of the operating conditions specified in the instruction (see chapter "Safety Precautions" of the Manual).

- damage to the product due to non-observance of the rules of storage and transportation.

Preventive maintenance of electric machines (cleaning, washing, lubrication, replacement of anthers, piston and sealing rings) during the warranty period is a paid service.

The service life of the product is determined by the manufacturer and is 2 years from the date of manufacture,

The owner is notified of any possible violations of the above terms of warranty service upon completion of diagnostics in the service center.

The owner of the tool entrusts the diagnostic procedure to be conducted in the service center in his absence.

Do not operate the electric machine when there are signs of excessive heat, sparking, or noise in the gearbox. To determine the cause of the malfunction, the buyer should contact the warranty service center.

Malfunctions caused by late replacement of carbon brushes of the engine are eliminated at the expense of the buyer.

5. The warranty does not cover:

- replacement of parts (accessories and furniture), for example: accumulators, disks, knives, drills, bores, cartridges, chains, sprockets, collet clamps, buses, tensioning elements and fasteners, trim tabs, pads of grinders and tape machines, etc.

- quick-wear parts, for example: carbon brushes, drive belts, glands, protective covers, guide rollers, guides/rails, rubber seals, bearings, timing belts and wheels, shafts, brake band, ratchet wheels and starter cables, piston rings, etc. Replacing them during the warranty period is a paid service.

- power cords, in case of insulation damage, power cords are subject to mandatory replacement without the consent of the owner (paid service),

- casing of machine.

## P.I.T. WARRANTY CERTIFICATE

Product Name \_\_\_\_\_

Product Number □□□□□□□□□□

Serial Number □□□□□□□□□□

Sale Date \_\_\_\_\_

Trade Organization Name \_\_\_\_\_ Place of Seal

### **Dear customer!**

Thank you for purchasing the P.I.T tool, and we hope that you will be satisfied with your choice. In the process of manufacturing the P.I.T tools pass multilevel quality control, if nevertheless your product will need maintenance, please contact the authorized P.I.T service centers.

### **Attention!**

When buying, ask a seller to check the completeness and operability of the tool, to fill out the Warranty Certificate, the Warranty Card (the boxes shall be filled out by a seller) and to affix the seal of the trade organization in the Guarantee Certificate and the Warranty Card.

### **Warranty**

By this Warranty Certificate, P.I.T. company guarantees the absence of defects of the production nature.

In the event any of the above defects are detected during the warranty period, the specialized P.I.T. service centers shall repair the product and replace the defective spare parts free of charge.

The warranty period for P.I.T. electric machines is 12 months from the date of sale.

**“The warranty maintenance terms acknowledged and accepted. The operability and completeness of the product are checked in my presence. No claims on quality and appearance.”**

Buyer's Signature \_\_\_\_\_ Surname (legibly) \_\_\_\_\_

Phone \_\_\_\_\_

## УКАЗАНИЯ ПО ТЕХНИКЕ БЕЗОПАСНОСТИ

Для обеспечения безопасной и надежной работы с измерительным инструментом должны быть прочитаны и соблюдаться все инструкции. Использование измерительного инструмента не в соответствии с настоящими указаниями чревато повреждением интегрированных защитных механизмов. Никогда не изменяйте до неузнаваемости предупредительные таблички на измерительном инструменте. **ХОРОШО СОХРАНИТЕ ЭТИ ИНСТРУКЦИИ И ПЕРЕДАВАЙТЕ ИХ ВМЕСТЕ С ПЕРЕДАЧЕЙ ИЗМЕРИТЕЛЬНОГО ИНСТРУМЕНТА.**

- Осторожно – применение инструментов для обслуживания или юстировки или процедур техобслуживания, кроме указанных здесь, может привести к опасному воздействию излучения.
- Измерительный инструмент поставляется с предупредительной табличкой (показана на странице с изображением измерительного инструмента).
- Если текст предупредительной таблички не на Вашем родном языке, перед первым запуском в эксплуатацию заклейте ее наклейкой на Вашем родном языке, которая входит в объем поставки.

**Не направляйте луч лазера на людей или животных и сами не смотрите на прямой или отражаемый луч лазера.** Этот луч может слепить людей, стать причиной несчастного случая или повредить глаза.

- **В случае попадания лазерного луча в глаз глаза нужно намеренно закрыть и немедленно отвернуться от луча.**
- **Не меняйте ничего в лазерном устройстве.**
- **Не используйте очки для работы с лазером в качестве защитных очков.** Очки для работы с лазером обеспечивают лучшее распознавание лазерного луча, но не защищают от лазерного излучения.
- **Не используйте очки для работы с лазером в качестве солнцезащитных очков или за рулем.** Очки для работы с лазером не обеспечивают защиту от УФ-излучения и мешают правильному цветовосприятию.
- **Ремонт измерительного инструмента разрешается выполнять только квалифицированному персоналу и только с использованием оригинальных запчастей.** Этим обеспечивается безопасность измерительного инструмента.

• **Не позволяйте детям пользоваться лазерным измерительным инструментом без присмотра.** Дети могут по неосторожности ослепить посторонних людей.

• **Не работайте с измерительным инструментом во взрывоопасной среде, поблизости от горючих жидкостей, газов и пыли.** В измерительном инструменте могут образоваться искры, от которых может воспламениться пыль или пары.

**Не устанавливайте измерительный инструмент вблизи кардиостимуляторов.** Магнит создает поле внутри измерительного инструмента, которое может отрицательно влиять на работу кардиостимулятора.

• **Держите измерительный инструмент вдали от магнитных носителей данных от приборов, чувствительных к магнитному полю.** Воздействие магнитов может приводить к невозможной потере данных.

## ОПИСАНИЕ ПРОДУКТА И УСЛУГ

### Применение по назначению

Пожалуйста, обратите внимание на иллюстрации в начале этого руководства по эксплуатации.

(1)Отверстие для выхода лазерного луча (2)Питание / блокировка  
(3)Аккумуляторный отсек (4) 1/4 -20 Монтажная резьба

Настоящий измерительный прибор предназначен для построения и контроля горизонтальных и вертикальных линий.

Измерительный инструмент предназначен для использования внутри помещений.

### Технические характеристики

МОДЕЛЬ	PLE-2A	PLE-2B
Класс лазера	2	2
Тип лазера	635нм	520нм
Точность нивелирования	±3мм/10м	±3мм/10м
Точность по горизонтали / вертикали	±3мм/10м	±3мм/10м
Типичный диапазон автоматического нивелирования	4°±1°	4°±1°
Рабочий диапазон	15м	30м
Рабочее время	8 часов	4 часов
Источник питания	2×“AA” (LR6)	2×“AA” (LR6)
Рейтинг IP	IP54	IP54
Рабочая температура	-10°C to 50°C	-10°C to 50°C
Температура хранения	-20°C to 70°C	-20°C to 70°C

## СБОРКА

### **Вставка/замена батареек**

В измерительном инструменте рекомендуется использовать щелочно-марганцевые батарейки.

Чтобы открыть крышку батарейного отсека, прижмите фиксатор в направлении стрелки и снимите крышку батарейного отсека. Вставьте батареи, поставляемые в комплекте с инструментом.

Следите при этом за правильным направлением полюсов в соответствии с изображением с внутренней стороны батарейного отсека.

Если батареи садятся, лазерные линии начинают быстро мигать на протяжении нескольких секунд.

Меняйте сразу все батарейки одновременно. Используйте только батарейки одного производителя и одинаковой емкости.

• **Извлекайте батарейки из измерительного инструмента, если продолжительное время не будете работать с ним.** При длительном хранении возможна коррозия и саморазрядка батареек.

## РАБОТА С ИНСТРУМЕНТОМ

### **Включение электроинструмента**

• Защищайте измерительный инструмент от влаги и прямых солнечных лучей.

• **Не подвергайте измерительный инструмент воздействию экстремальных температур и температурных перепадов.** Например, не оставляйте его на длительное время в автомобиле. При значительных колебаниях температуры перед началом использования дайте температуре измерительного инструмента стабилизироваться. Экстремальные температуры и температурные перепады могут отрицательно влиять на точность измерительного инструмента.

• **Избегайте сильных толчков и падения измерительного инструмента.** Повреждения измерительного инструмента могут сказаться на его точности. После сильного толчка или падения проверьте лазерную линию по известной горизонтальной или вертикальной реперной линии.

• **При транспортировке выключайте измерительный инструмент.** При выключении блокируется маятниковый механизм, который иначе при сильных движениях может быть поврежден.

### **Включение/выключение**

Для включения электроинструмента передвиньте выключатель вверх.



Сразу же после включения измерительный инструмент излучает из отверстия для выхода лазерного луча две лазерные линии.

• **Не направляйте лазерный луч на людей или животных и не смотрите сами в лазерный луч, в том числе и с большого расстояния.**

Чтобы выключить измерительный инструмент, передвиньте выключатель вниз, чтобы он оказался над отверстием для выхода лазерного луча. При выключении маятниковый механизм блокируется.

• **Не оставляйте измерительный инструмент без присмотра и выключайте измерительный инструмент после использования.** Другие лица могут быть ослеплены лазерным лучом.

### **Режимы работы**

• Нажмите или сдвиньте переключатель блокировки, чтобы включить лазерный инструмент; короткое нажатие, чтобы выключить лазерный инструмент, когда лазерный инструмент заблокирован маятником.

### **Режим самовыравнивания**

- Включен, когда лазерный инструмент переключен в разблокированное положение.

- Лазерный луч (и) быстро мигает с частотой 2 Гц, когда инструмент находится вне диапазона самовыравнивания.

- Позволяет правильно использовать импульсный режим инструмента с лазерным детектором.

### **Ручной режим**

- Включен, когда маятниковый замок находится в заблокированном положении, чтобы расположить лазерный инструмент под различными углами для проецирования неровных прямых линий.

- отключает самовыравнивающиеся операции; Точность луча (ов) не уровень гарантирован, и лазерный луч будет мигать примерно каждые 5 секунд.

## **АВТОМАТИЧЕСКОЕ НИВЕЛИРОВАНИЕ**

Для работы с функцией автоматического нивелирования установите измерительный инструмент на прочное горизонтальное основание или закрепите его на креплении или на штативе.

После включения автоматическое нивелирование выравнивает неровности в диапазоне автоматического нивелирования  $\pm 4^\circ$ .

Нивелирование завершено, как только лазерные линии перестали мигать.

Если автоматическое нивелирование выполнить невозможно, напр., в силу того, что нижняя сторона измерительного инструмента отклоняется от горизонтали более чем на  $4^\circ$ , или в силу того, что Вы свободно держите измерительный инструмент в руке, лазерные линии постоянно медленно мигают и измерительный инструмент работает без функции автоматического нивелирования. Лазерные линии остаются включенными, но обе перекрещивающиеся линии не обязательно должны проходить под прямым углом по отношению друг к другу. Чтобы обеспечить перпендикулярность двух лазерных линий по отношению друг к другу, расположите измерительный инструмент под прямым углом к стене.

Чтобы снова работать с функцией автоматического нивелирования, позиционируйте измерительный инструмент таким образом, чтобы нижняя сторона была выровнена по горизонтали, и подождите, пока не закончится процесс самонивелирования. Как только измерительный инструмент вернется в диапазон автоматического нивелирования  $\pm 4^\circ$  и выполнит самонивелирование, лазерные линии опять будут светиться непрерывным светом.

При сотрясениях или изменениях положения во время работы измерительный инструмент автоматически самонивелируется. После повторного нивелирования проверьте положение горизонтальной или вертикальной лазерной линии по отношению к реперным точкам для предотвращения ошибок в результате смещения измерительного инструмента.

### **ОЧКИ ДЛЯ РАБОТЫ С ЛАЗЕРНЫМ ИНСТРУМЕНТОМ**

Лазерные очки отфильтровывают окружающий свет. Поэтому свет лазера кажется

более ярким для зрительного восприятия.

• **Не используйте очки для работы с лазером в качестве защитных очков.** Очки для работы с лазером обеспечивают лучшее распознавание лазерного луча, но не защищают от лазерного излучения.

• **Не используйте очки для работы с лазером в качестве солнцезащитных очков или за рулем.** Очки для работы с лазером не обеспечивают защиту от УФ-излучения и мешают правильному цветовосприятию.

## РАСШИФРОВКА ДАТЫ ИЗГОТОВЛЕНИЯ ИЗДЕЛИЯ

№. 1707300395

1	7	0	7	3	0	0	3	9	5
---	---	---	---	---	---	---	---	---	---

год    месяц    день

Дата изготовления изделия зашифрована в серийном номере , напечатанном на корпусе инструмента. Первые 2 цифры обозначают год выпуска, следующие 2 цифры - месяц и следующие 2 цифры - день

## УСЛОВИЯ ГАРАНТИЙНОГО ОБСЛУЖИВАНИЯ

1. Настоящее гарантийное свидетельство является единственным документом, подтверждающим Ваше право на бесплатное гарантийное обслуживание. Без предъявления данного свидетельства претензии не принимаются. В случае утери или порчи гарантийное свидетельство не восстанавливается.

2. Гарантийный срок на электроинструмент составляет 12 месяцев со дня продажи, в течение гарантийного срока сервисная служба бесплатно

устраняет производственные дефекты и производит замену деталей, вышедших из строя по вине изготовителя. На период гарантийного ремонта эквивалентный исправный инструмент не предоставляется. Заменяемые детали переходят в собственность служб сервиса.

Компания P.1.T. не несет ответственности за вред, который может быть причинен при работе с электроинструментом.

3. В гарантийный ремонт инструмент принимается в чистом виде, при обязательном наличии надлежащим образом оформленных документов:

настоящего гарантийного свидетельства, гарантийного талона, с полностью заполненными полями, штампом торговой организации и подписью покупателя.

4. Гарантийный ремонт не производится в следующих случаях:

-при отсутствии гарантийного свидетельства и гарантийного талона или неправильном их оформлении;

-при совместном выходе из строя якоря и статора электродвигателя, при обугливание или оплавлении первичной обмотки трансформатора сварочного аппарата, зарядного или пуска-зарядного устройства, при оплавлении внутренних деталей, прожиге электронных плат;

-если гарантийное свидетельство или талон не принадлежат данному электроинструменту или не соответствует установленному поставщиком образцу;

-по истечении срока гарантии;

-при попытках самостоятельного вскрытия или ремонта электроинструмента вне гарантийной мастерской; внесения конструктивных изменений

и смазки инструмента в гарантийный период, о чем свидетельствуют, например, заломы на шлицевых частях крепежа корпусных деталей.

-при использовании электроинструмента в производственных или иных

целях, связанных с получением прибыли, а также - при возникновении неисправностей связанных с нестабильностью параметров электросети, превышающих нормы, установленные ГОСТ;

-при неправильной эксплуатации (использование электроинструмента не по назначению, установки на электроинструмент не предназначенных заводом-изготовителем насадок, дополнительных приспособлений и т.п.;

-при механических повреждениях корпуса, сетевого шнура и при повреждениях, вызванных воздействиями агрессивных средств и высоких и

низких температур, попадании инородных предметов в вентиляционные решетки электроинструмента, а также при повреждениях, наступивших в результате неправильного хранения(коррозия металлических частей);

-при естественном износе деталей электроинструмента, в результате длительной эксплуатации(определяется по признакам полной или частичной выработки ресурса, сильного загрязнения, ржавчины снаружи и внутри электроинструмента, отработанной смазки в редукторе);

-использование инструмента не по назначению, указанному в инструкции по эксплуатации.

-при механических повреждениях инструмента;

-при возникновении повреждений в связи с несоблюдением предусмотренных инструкцией условий эксплуатации(см. главу Указание по

технике безопасности в инструкции).

-повреждение изделия вследствие несоблюдения правил хранения и транспортировки.

Профилактическое обслуживание электроинструмента (чистка, промывка, смазка, замена пыльников, поршневых и уплотнительных колец) в

гарантийный период является платной услугой.

Срок службы изделия установлен производителем и составляет 2 года со дня изготовления.

О возможных нарушениях, изложенных выше условий гарантийного обслуживания, владельцу сообщается после проведения диагностики в сервисном центре.

Владелец инструмента доверяет проведение диагностики в сервисном центре в свое отсутствие.

Запрещается эксплуатация электроинструмента при проявлении признаков повышенного нагрева, искрения, а также шума в редукторной

части. Для выяснения причин неисправности покупателю следует обратиться в гарантийную мастерскую.

Неисправности, вызванные несвоевременной заменой угольных щеток двигателя, устраняются за счет покупателя.

5. Гарантия не распространяется на:

-сменные принадлежности (аксессуары и оснастка), например: аккумуляторы, диски, ножи, сверла, буры, патроны, цепи, звездочки, цанговые

зажимы, шины, элементы натяжения и крепления, головки триммеров, подошвы шлифовальных и ленточных машин, фильтры и т.п.,

-быстроизнашивающиеся детали, например: угольные щетки, приводные ремни, сальники, защитные кожухи, направляющие ролики, направляющие, резиновые уплотнения, подшипники, зубчатые ремни и колеса, стволы, ленты тормоза, храповики и тросы стартеров, поршневые кольца и т.п. Замена их в течении гарантийного срока является платной услугой;

-шнуры питания, в случае повреждения изоляции, шнуры питания подлежат обязательной замене без согласия владельца (услуга платная);

-корпуса инструмента;

-пильные полотна;

-повреждений, которые вызваны несоответствием параметров сети номинальному напряжению, указанному в инструкции по применению;

-самостоятельного ремонта или попыток самовольного внесения изменений в конструкцию аппарата;

-сильного механического, электротехнического, химического воздействия;

-попадания внутрь аппарата агрессивных и токопроводящих жидкостей, наличие внутри аппарата металлической пыли / стружки

-сильное внутреннее загрязнение, повлекшее за собой неисправность.

## ГАРАНТИЙНОЕ СВИДЕТЕЛЬСТВО НА ИНСТРУМЕНТ P.1.T.

Наименование изделия \_\_\_\_\_

Артикул изделия □□□□□□□□□□

Серийный номер □□□□□□□□□□

Дата продажи «    » \_\_\_\_\_

Наименование торговой организации \_\_\_\_\_

М.П.

### **Уважаемый покупатель!**

Благодарим Вас за покупку инструмента P.1.T. и надеемся, что Вы останетесь довольны своим выбором. В процессе производства инструменты P.1.T. проходят многоуровневый контроль качества, если тем не менее Ваше изделие будет нуждаться в обслуживании, просим Вас обращаться в авторизованные сервисные центры P.1.T.

### **Внимание!**

При покупке требуйте у продавца проверки комплектности и работоспособности инструмента, заполнение гарантийного свидетельства, гарантийного талона (графы заполняются продавцом) и простановки печати торговой организации в гарантийном свидетельстве и гарантийном талоне.

### **Гарантия**

На основании данного гарантийного свидетельства компания P.1.T. гарантирует отсутствие дефектов производственного характера.

Если в течении гарантийного срока в Вашем изделии тем не менее обнаружатся указанные дефекты, специализированные сервисные центры P.1.T. бесплатно отремонтируют изделие и заменят дефектные детали.

Гарантийный срок на инструменты P.1.T. составляет 12 месяцев со дня продажи.

**«С условиями гарантийного обслуживания ознакомлен(а). Работоспособность и комплектность изделия проверены в моем присутствии. Претензий к качеству и внешнему виду не имею».**

Подпись покупателя \_\_\_\_\_ Фамилия (разборчиво) \_\_\_\_\_

Телефон \_\_\_\_\_

# P.I.T. WARRANTY CARD

Name \_\_\_\_\_  
Serial Number \_\_\_\_\_  
The date of sale 20\_\_\_\_  
Date of receipt of the repair 20\_\_\_\_



Name \_\_\_\_\_  
Serial Number \_\_\_\_\_  
Sale Date \_\_\_\_\_ 20\_\_\_\_  
(Filled out by Seller)

Seal is here

WARRANTY REPAIR CARD  
Date of Acceptance for Repair \_\_\_\_\_ 20\_\_\_\_  
Application for Repair \_\_\_\_\_  
Customer \_\_\_\_\_  
Phone (Address) \_\_\_\_\_  
Cause of Application \_\_\_\_\_  
Date of Receipt from Repair \_\_\_\_\_ 20\_\_\_\_  
The Tool is checked in my presence \_\_\_\_\_  
(The Order shall be performed in a Service Center) (Signature)

Seal is here

Name \_\_\_\_\_  
Serial Number \_\_\_\_\_  
The date of sale 20\_\_\_\_  
Date of receipt of the repair 20\_\_\_\_



Name \_\_\_\_\_  
Serial Number \_\_\_\_\_  
Sale Date \_\_\_\_\_ 20\_\_\_\_  
(Filled out by Seller)

Seal is here

WARRANTY REPAIR CARD  
Date of Acceptance for Repair \_\_\_\_\_ 20\_\_\_\_  
Application for Repair \_\_\_\_\_  
Customer \_\_\_\_\_  
Phone (Address) \_\_\_\_\_  
Cause of Application \_\_\_\_\_  
Date of Receipt from Repair \_\_\_\_\_ 20\_\_\_\_  
The Tool is checked in my presence \_\_\_\_\_  
(The Order shall be performed in a Service Center) (Signature)

Seal is here

Name \_\_\_\_\_  
Serial Number \_\_\_\_\_  
The date of sale 20\_\_\_\_  
Date of receipt of the repair 20\_\_\_\_



Name \_\_\_\_\_  
Serial Number \_\_\_\_\_  
Sale Date \_\_\_\_\_ 20\_\_\_\_  
(Filled out by Seller)

Seal is here

WARRANTY REPAIR CARD  
Date of Acceptance for Repair \_\_\_\_\_ 20\_\_\_\_  
Application for Repair \_\_\_\_\_  
Customer \_\_\_\_\_  
Phone (Address) \_\_\_\_\_  
Cause of Application \_\_\_\_\_  
Date of Receipt from Repair \_\_\_\_\_ 20\_\_\_\_  
The Tool is checked in my presence \_\_\_\_\_  
(The Order shall be performed in a Service Center) (Signature)

Seal is here



# ГАРАНТИЙНЫЙ ТАЛОН P.I.T.



Наименование \_\_\_\_\_  
Серийный номер \_\_\_\_\_  
Дата продажи «\_\_» \_\_\_\_\_ 20\_\_ г.  
(Заполняется продавцом)

М.Л.

## КАРТА ГАРАНТИЙНОГО РЕМОНТА

Дата приема в ремонт \_\_\_\_\_ 20\_\_ г.  
Заявка на ремонт \_\_\_\_\_  
Заказчик \_\_\_\_\_  
Телефон(адрес) \_\_\_\_\_  
Причина обращения \_\_\_\_\_  
Дата получения из ремонта \_\_\_\_\_ 20\_\_ г.  
Инструмент проверен в моем присутствии \_\_\_\_\_  
(Заказ заполняется в сервисном центре) (подпись)

М.Л.

Наименование \_\_\_\_\_  
Серийный номер \_\_\_\_\_  
Дата продажи «\_\_» \_\_\_\_\_ 20\_\_ г.  
Дата получения из ремонта «\_\_» \_\_\_\_\_ 20\_\_ г.



Наименование \_\_\_\_\_  
Серийный номер \_\_\_\_\_  
Дата продажи «\_\_» \_\_\_\_\_ 20\_\_ г.  
(Заполняется продавцом)

М.Л.

## КАРТА ГАРАНТИЙНОГО РЕМОНТА

Дата приема в ремонт \_\_\_\_\_ 20\_\_ г.  
Заявка на ремонт \_\_\_\_\_  
Заказчик \_\_\_\_\_  
Телефон(адрес) \_\_\_\_\_  
Причина обращения \_\_\_\_\_  
Дата получения из ремонта \_\_\_\_\_ 20\_\_ г.  
Инструмент проверен в моем присутствии \_\_\_\_\_  
(Заказ заполняется в сервисном центре) (подпись)

М.Л.

Наименование \_\_\_\_\_  
Серийный номер \_\_\_\_\_  
Дата продажи «\_\_» \_\_\_\_\_ 20\_\_ г.  
Дата получения из ремонта «\_\_» \_\_\_\_\_ 20\_\_ г.



Наименование \_\_\_\_\_  
Серийный номер \_\_\_\_\_  
Дата продажи «\_\_» \_\_\_\_\_ 20\_\_ г.  
(Заполняется продавцом)

М.Л.

## КАРТА ГАРАНТИЙНОГО РЕМОНТА

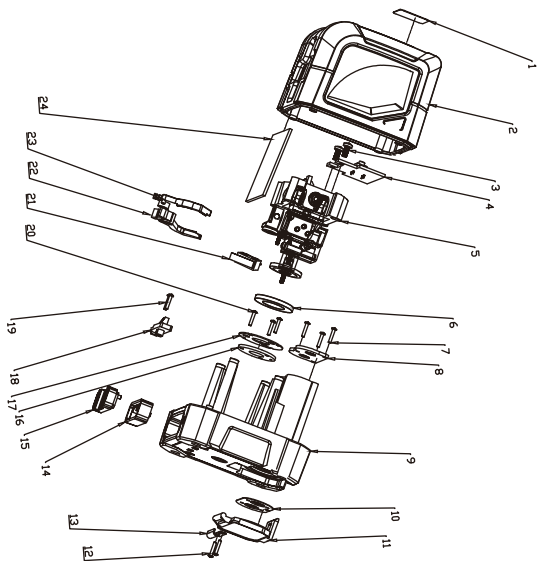
Дата приема в ремонт \_\_\_\_\_ 20\_\_ г.  
Заявка на ремонт \_\_\_\_\_  
Заказчик \_\_\_\_\_  
Телефон(адрес) \_\_\_\_\_  
Причина обращения \_\_\_\_\_  
Дата получения из ремонта \_\_\_\_\_ 20\_\_ г.  
Инструмент проверен в моем присутствии \_\_\_\_\_  
(Заказ заполняется в сервисном центре) (подпись)

М.Л.

Наименование \_\_\_\_\_  
Серийный номер \_\_\_\_\_  
Дата продажи «\_\_» \_\_\_\_\_ 20\_\_ г.  
Дата получения из ремонта «\_\_» \_\_\_\_\_ 20\_\_ г.

**P.I.T. WARRANTY SHEET / ГАРАНТИЙНЫЙ ТАЛОН P.I.T.**

# PLE-2A PLE-2B





**Поставщик / производитель:** Xinjiang Longbo Industrial Co., Ltd./Синзянь Лонгбо Индастриал Ко., Лтд.

**Адрес производства:** Rm. 602, 6th Floor, No. 531, Weixing Road, Economic And Technological Development Zone, Urumqi, Xinjiang, China / Оф.602, 6 этаж, №531, Вейшинг Род, Экономик Энд Технолджикал Девелопмент Зон, Урумчи, Синзянь, Китай

**Импортер/ организация, уполномоченная принимать претензии:**  
ООО «Турбо-Тулс»

**Юридический адрес:** 614058, Пермский край, г. Пермь, ул. Фоминская, 36  
info@pittools.ru

**Сделано в КНР / Made in China**

