



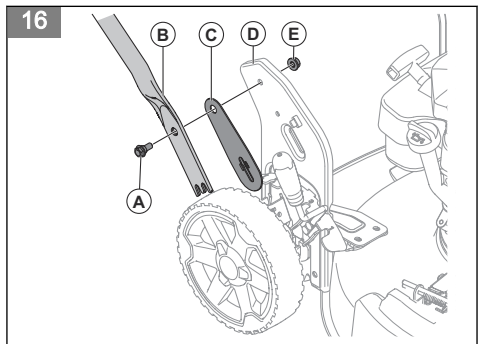
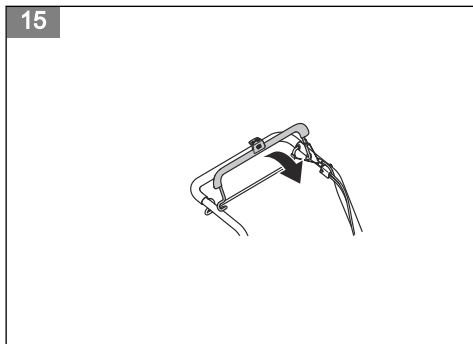
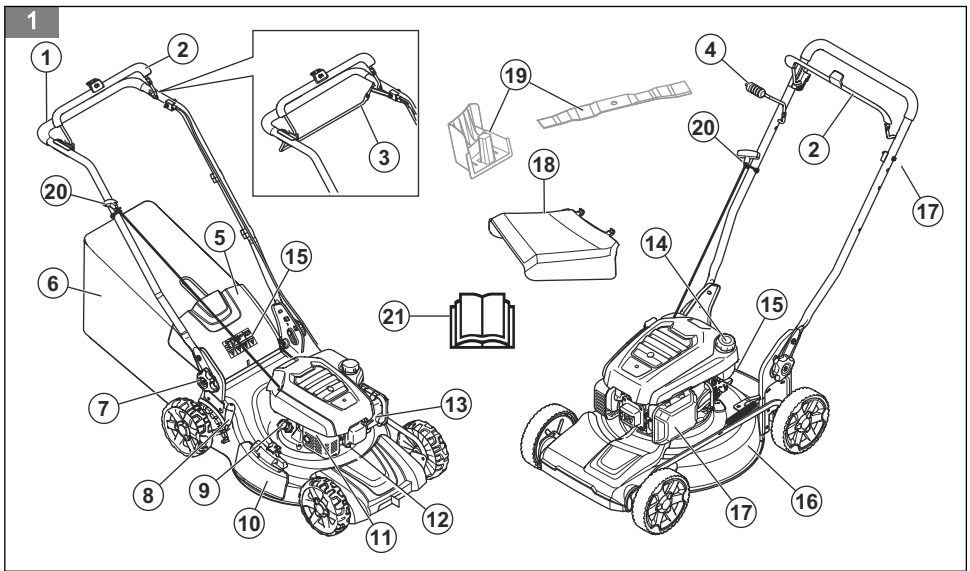
Husqvarna®



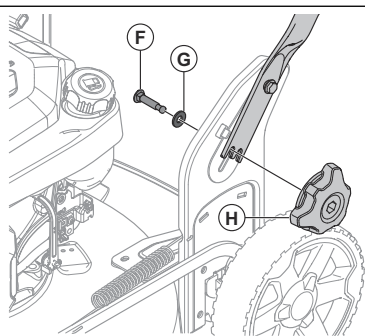
LC 151, LC 151S, LB 251S, LB 256SP



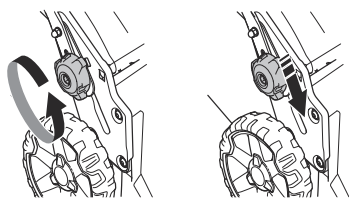
EN	Operator's manual	7-20
BG	Ръководство за експлоатация	21-36
CS	Návod k použití	37-50
DA	Bruksanvisning	51-64
DE	Bedienungsanweisung	65-80
EL	Οδηγίες χρήσης	81-96
ES	Manual de usuario	97-111
ET	Kasutusjuhend	112-126
FI	Käyttöohje	127-140
FR	Manuel d'utilisation	141-156
HR	Priručnik za korištenje	157-170
HU	Használati utasítás	171-185
IT	Manuale dell'operatore	186-200
JA	取扱説明書	201-214
LT	Operatoriaus vadovas	215-228
LV	Lietošanas pamācība	229-242
NL	Gebruiksaanwijzing	243-257
NO	Bruksanvisning	258-271
PL	Instrukcja obsługi	272-287
PT	Manual do utilizador	288-302
RO	Instrucțiuni de utilizare	303-317
RU	Руководство по эксплуатации	318-333
SK	Návod na obsluhu	334-348
SL	Navodila za uporabo	349-362
SR	Priručnik za rukovaoca	363-376
SV	Bruksanvisning	377-390
TR	Kullanım kılavuzu	391-404
UK	Посібник користувача	405-420
ZH	操作手册	421-432



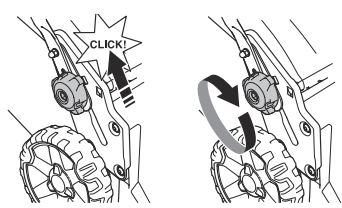
17



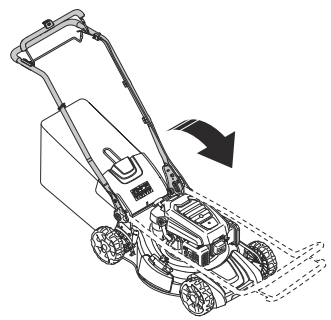
18



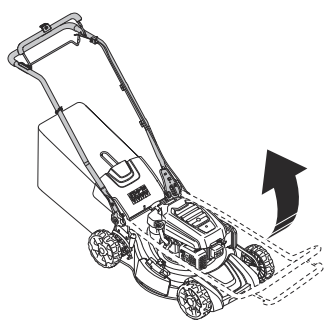
19



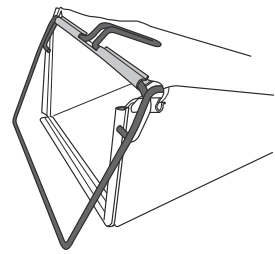
20



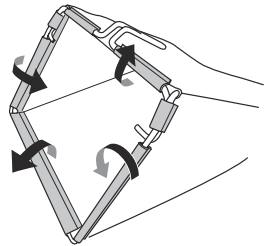
21



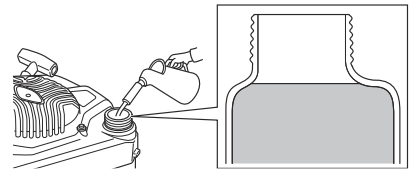
22



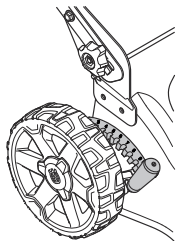
23



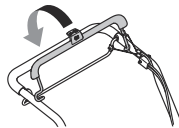
24



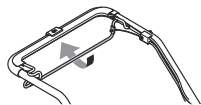
25



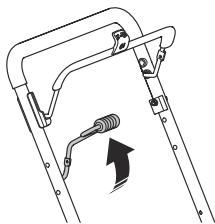
26



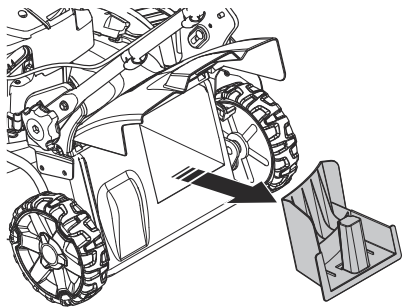
27



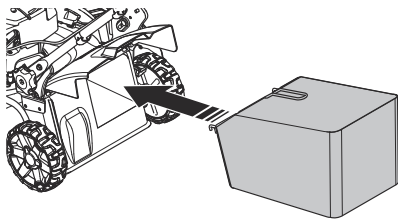
28



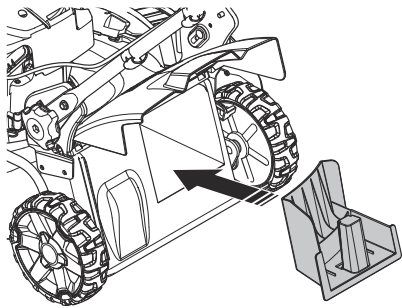
29



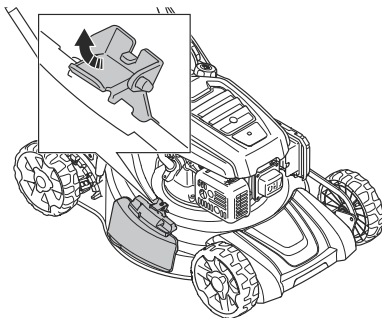
30



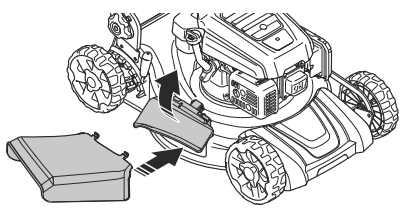
31



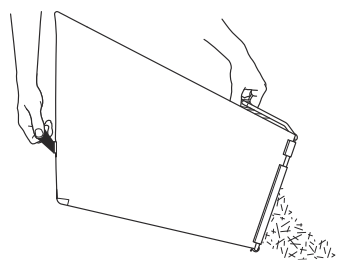
32



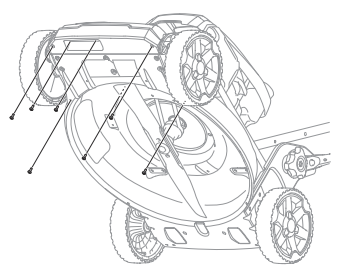
33



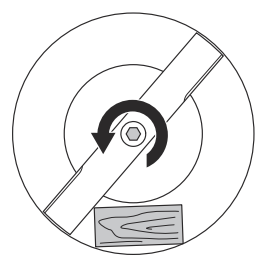
34



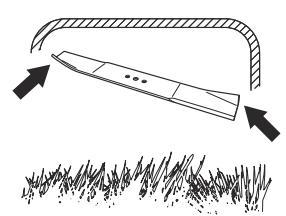
35



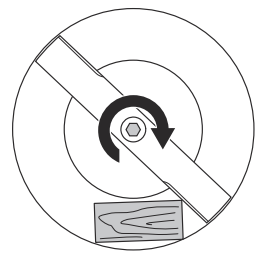
36



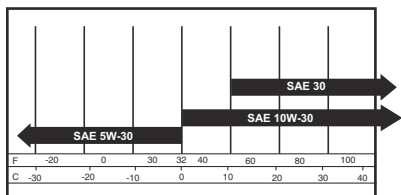
37



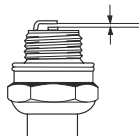
38



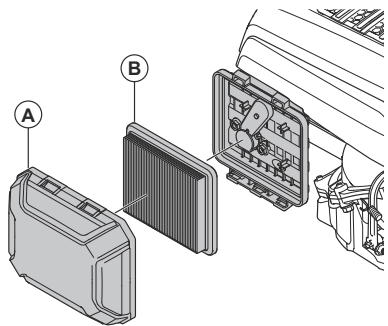
39



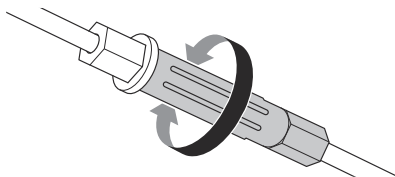
40



41



42



Contents

Introduction.....	7	Engine troubleshooting.....	16
Safety.....	8	Transportation, storage and disposal.....	17
Assembly.....	10	Technical data.....	18
Operation.....	11	EC Declaration of Conformity.....	20
Maintenance.....	13		

Introduction

Product description

The product is a pedestrian-controlled rotary lawn mower. For LC 151, LC 151S attach the grass catcher to collect the grass. Attach the side discharge deflector for side discharge of the grass. For LC 151, LC 151S attach a mulch kit to cut the grass into fertilizer.

Product overview

(Fig. 1)

1. Handlebar
2. Engine brake handle
3. Drive bail (LC 151S, LB 256SP)
4. Drive lever (LB 251S)
5. Rear cover (LC 151, LC 151S)
6. Grass catcher (LC 151, LC 151S)
7. Handle height knobs
8. Cutting height lever
9. Oil cap and dipstick
10. Side discharge cover
11. Muffler
12. Spark plug
13. Carburetor
14. Fuel tank cap
15. Symbols
16. Cutting cover
17. Air filter
18. Side deflector
19. Mulch kit (accessory for LC 151, LC 151S)
20. Starter rope handle
21. Operator's manual

Symbols on the product

- (Fig. 2) **WARNING!** Be careful and use the product correctly. This product can cause serious injury or death to the operator or others.
- (Fig. 3) Please read the operator's manual carefully and make sure that you understand the instructions before use.
- (Fig. 4) Look out for thrown objects and ricochets.

Intended use

Use the product to cut grass. Do not use the product for other tasks.

- (Fig. 5) Keep persons and animals at a safe distance from the work area.
- (Fig. 6) **Warning:** Keep hands and feet away from the rotating blade.
- (Fig. 7) **Warning:** Keep hands and feet away from rotating parts.
- (Fig. 8) Stop the engine and remove the ignition cable before repairs or maintenance.
- (Fig. 9) This product is in accordance with applicable EC directives.
- (Fig. 10) Noise emission to the environment according to the European Community's Directive. The product's emission is specified in the Technical data chapter and on the label.
- (Fig. 11) Risk of fire.
- (Fig. 12) Do not breathe in exhaust fumes. The exhaust fumes from the engine contain carbon monoxide, an odourless, poisonous and very dangerous gas. Do not start the engine indoors or in closed spaces.
- (Fig. 13) Hot surface.
- (Fig. 14) Fill the engine with oil before you start the product..

Note: Other symbols/decals on the product refer to certification requirements for some commercial areas.

Product liability

As referred to in the product liability laws, we are not liable for damages that our product causes if:

- the product is incorrectly repaired.
- the product is repaired with parts that are not from the manufacturer or not approved by the manufacturer.
- the product has an accessory that is not from the manufacturer or not approved by the manufacturer.

- the product is not repaired at an approved service center or by an approved authority.

Euro V Emissions



WARNING: Tampering with the engine voids the EU type-approval of this product.

Safety

Safety definitions

Warnings, cautions and notes are used to point out specially important parts of the manual.



WARNING: Used if there is a risk of injury or death for the operator or bystanders if the instructions in the manual are not obeyed.



CAUTION: Used if there is a risk of damage to the product, other materials or the adjacent area if the instructions in the manual are not obeyed.

Note: Used to give more information that is necessary in a given situation.

General safety instructions



WARNING: Read the warning instructions that follow before you use the product.

- This product is dangerous if used incorrectly or if you are not careful. Injury or death can occur if you do not obey the safety instructions.
- This product produces an electromagnetic field during operation. This field may under some circumstances interfere with active or passive medical implants. To reduce the risk of serious or fatal injury we recommend persons with medical implants to consult their physician and the medical implant manufacturer before operating this product.
- Always be careful and use your common sense. If you are not sure how to operate the product in a special situation, stop and speak to your Husqvarna dealer before you continue.
- Keep in mind that the operator will be held responsible for accidents that involve other persons or their property.
- Keep the product clean. Make sure that you can clearly read signs and decals.
- Do not let a person use the product unless you make sure that they read and understand the contents of the operator's manual.

- Do not let a child operate the product.
- Keep children away from the work area. A responsible adult must be there at all times.
- Do not let a person, without knowledge of the instructions, operate the product.
- Always monitor a person, with decreased physical capacity or mental capacity, that uses the product. A responsible adult must be there at all times.
- Do not use the product if you are tired, ill, or under the influence of alcohol, drugs or medicine. This has a negative effect on your vision, alertness, coordination and judgment.
- Do not use the product if it is defective.
- Do not change this product or use it if it is possible that it has been changed by others.
- Do not change the adjustment for the engine speed control.

Work area safety



WARNING: Read the warning instructions that follow before you use the product.

- Remove objects such as branches, twigs and stones from the work area before you use the product.
- Objects that hit against the cutting equipment can eject and cause damage to persons and objects. Keep bystanders and animals at a safe distance from the product.
- Never use the product in bad weather such as fog, rain, strong winds, intense cold and risk of lightning. To use the product in bad weather or in moist or wet locations is tiring. Bad weather can cause dangerous conditions, such as slippery surfaces.
- Look out for persons, objects and situations that can prevent safe operation of the product.
- Look out for obstacles, such as roots, stones, twigs, pits and ditches. Long grass can hide obstacles.
- To cut grass on slopes can be dangerous. Do not use the product on ground that slopes more than 15°.
- Operate the product across the face of slopes. Do not move up and down.

- Be careful when you go near hidden corners and objects that prevent a clear view.

Work safety



WARNING: Read the warning instructions that follow before you use the product.

- Use this product to cut grass lawns only. It is not permitted to use it for other tasks.
- Use personal protective equipment. Refer to *Personal protective equipment on page 9*.
- Make sure that you know how to stop the engine quickly in an emergency.
- Never start the engine in a closed space or near flammable material. The exhaust fumes from the engine are hot and can contain sparks which can start a fire.
- Do not operate the product unless the blade and all covers are attached correctly. An incorrectly attached blade can come loose and cause personal injury.
- Make sure that the blade does not hit objects such as stones and roots. This can do damage to the blade and bend the engine shaft. A bent axle causes heavy vibration and a very high risk that the blade becomes loose.
- If the blade hits an object or if vibrations occur, stop the product immediately. Disconnect the ignition cable from the spark plug. Examine the product for damages. Repair damages or let an authorised service agent do the repair.
- Never attach the engine brake handle permanently to the handle when the engine is started.
- Put the product on a stable, flat surface and start it. Make sure that the blade does not hit the ground or other objects.
- Always stay behind the product when you operate it.
- Let all the wheels stay on the ground and keep 2 hands on the handle when you operate the product. Keep your hands and feet away from the rotating blades.
- Do not tilt the product when the engine is started.
- Be careful when you pull the product rearward.
- Never lift up the product when the engine is started. If you must lift the product, first stop the engine and disconnect the ignition cable from the spark plug.
- Do not walk rearward when you operate the product.
- Stop the engine when you move across areas without grass, for example paths made of gravel, stone and asphalt.
- Do not run with the product when the engine is started. Always walk when you operate the product.
- Stop the engine before you change the cutting height. Never make adjustments with the engine started.

- Never let the product stay out of view with the engine started. Stop the engine and make sure that the cutting equipment does not rotate.

Safety instructions for operation

Personal protective equipment



WARNING: Read the warning instructions that follow before you use the product.

- Personal protective equipment cannot fully prevent injury but it decreases the degree of injury if an accident does occur. Let your dealer help you select the right equipment.
- Use hearing protection if the noise level is higher than 85 dB.
- Use heavy-duty slip-resistant boots or shoes. Do not use open shoes or go with bare feet.
- Use heavy, long pants.
- Use protective gloves when necessary, for example when you attach, examine or clean the cutting equipment.

Safety devices on the product



WARNING: Read the warning instructions that follow before you use the product.

- Do not use a product with defective safety devices.
- Do a check of the safety devices regularly. If the safety devices are defective, speak to your Husqvarna service agent.

To do a check of the cutting cover

The cutting cover decreases vibrations in the product and decreases the risk of injury from the blade.

- Examine the cutting cover to make sure that there are no damages such as cracks.

To do a check of the engine brake handle

The engine brake handle stops the engine. When the engine brake handle is released, the engine stops.

- Start the engine and then release the engine brake handle. If the engine does not stop in 3 seconds, let an approved Husqvarna service agent adjust the engine brake. (Fig. 15)

To do a check of the rear cover

The rear deflector decreases the risk that objects eject in the direction of the operator.

- Make sure that the rear cover is not damaged.
- Make sure that the springs that close the rear cover are not damaged.
- Replace damaged springs and damaged parts.

- Make sure that the rear cover can move smoothly on the hinges.

Muffler

The muffler keeps the noise levels to a minimum and sends the exhaust fumes away from the operator.

Do not use the product if the muffler is missing or defective. A defective muffler increases the noise level and the risk of fire.



WARNING: The muffler becomes very hot during and after use and when the engine operates at idle speed. Be careful near flammable materials and/or fumes to prevent fire.

To do a check of the muffler

- Examine the muffler regularly to make sure that it is attached correctly and not damaged.

Fuel safety



WARNING: Read the warning instructions that follow before you use the product.

- Do not start the product if there is fuel or engine oil on the product. Remove the unwanted fuel/oil and let the product dry.
- If you spill fuel on your clothing, change clothing immediately.
- Do not get fuel on your body, it can cause injury. If you get fuel on your body, use soap and water to remove the fuel.
- Do not start the product if the engine has a leak. Examine the engine for leaks regularly.
- Be careful with fuel. Fuel is flammable and the fumes are explosive and can cause injuries or death.
- Do not breathe in the fuel fumes, it can cause injury. Make sure that there is a sufficient airflow.
- Do not smoke near the fuel or the engine.
- Do not put warm objects near the fuel or the engine.
- Do not add the fuel when the engine is on.

- Make sure that the engine is cool before you refuel.
- Before you refuel, open the fuel tank cap slowly and release the pressure carefully.
- Do not add fuel to the engine in an indoor area. Not sufficient airflow can cause injury or death because of asphyxiation or carbon monoxide.
- Tighten the fuel tank cap fully. If the fuel tank cap is not tightened, there is a risk of fire.
- Move the product a minimum of 3 m / 10 ft from the position where you filled the tank before a start.
- Do not fill the fuel tank fully. Heat causes the fuel to expand. Keep a space at the top of the fuel tank.

Safety instructions for maintenance



WARNING: Read the warning instructions that follow before you use the product.

- The exhaust fumes from the engine contain carbon monoxide, an odourless, poisonous and very dangerous gas. Do not start the engine indoors or in closed spaces.
- Before you do the maintenance on the product, stop the engine and remove the ignition cable from the spark plug.
- Use protective gloves when you do maintenance on the cutting equipment. The blade is very sharp and cuts can easily occur.
- Accessories and changes to the product that are not approved by the manufacturer, can cause serious injury or death. Do not change the product. Always use accessories that are approved by the manufacturer.
- If the maintenance is not done correctly and regularly, the risk of injury and damage to the product increases.
- Only do the maintenance as given in this owner's manual. All other servicing must be done by an approved Husqvarna service agent.
- Let an approved Husqvarna service agent do servicing on the product regularly.
- Replace damaged, worn or broken parts.

Assembly

Introduction



WARNING: Before you assemble the product, you must read and understand the safety chapter.



WARNING: Remove the spark plug cable from the spark plug before you assemble the product.

To assemble the handle

1. Push the screw (A) through the handle (B), the plastic washer (C) and the handle support bracket (D). (Fig. 16)
2. Tighten the nut (E) fully.
3. Push the screw (F) through the washer (G) and the handle support bracket. (Fig. 17)
4. Tighten the knob (H) fully.

To adjust the handle

1. Loosen the lower knobs.
2. Move the knobs to the lower end of the grooves on the left and the right side of the product. (Fig. 18)
3. Set the handle height in one of the 2 available positions.
4. Move the knobs up in the direction of the handle until they stop and you hear a click. (Fig. 19)
5. Tighten the knobs fully.

To set the product in transport position

1. Loosen the lower knobs.
2. Move the knobs to the lower end of the grooves on the left and the right side of the product. (Fig. 18)
3. Fold the handle forward. (Fig. 20)

To set the product in operation position

1. Fold the handle to upright position. (Fig. 21)
2. Move the knobs up in the direction of the handle until they stop and you hear a click. (Fig. 19)
3. Tighten the knobs fully.

To assemble the grass catcher (LC 151, LC 151S)

1. Attach the grass catcher frame to the grass bag with the rigid part of the bag on the bottom. Keep the handle of the frame out of the top of the bag. (Fig. 22)
2. Attach the grass bag to the frame with the clips. (Fig. 23)

Operation

Introduction



WARNING: Before you operate the product, you must read and understand the safety chapter.

Husqvarna Connect

Husqvarna Connect is a free app for your mobile device. The Husqvarna Connect app gives extended functions for your Husqvarna product:

- Extended product information.
- Information about, and help with, product parts and servicing.

To start to use Husqvarna Connect

1. Download the Husqvarna Connect app on your mobile device.
2. Register in the Husqvarna Connect app.
3. Do the instruction steps in the Husqvarna Connect app to connect and register the product.

Before you operate the product

1. Read the operator's manual carefully and make sure that you understand the instructions.
2. Examine the cutting equipment to make sure that it is correctly attached and adjusted. See *To examine the cutting equipment on page 14*.
3. Fill the fuel tank. See *To fill fuel on page 11*.
4. Fill the oil tank and do a check of the oil level. See *To do a check of the oil level on page 14*.

To fill fuel

If available, use low-emission/alkylate gasoline. If low-emission/alkylate gasoline is not available, use good

quality unleaded gasoline or leaded gasoline with octane number not less than 90.



CAUTION: Do not use gasoline with an octane number less than 90 RON (87 AKI). This can cause damage to the product.

1. Open the fuel tank cap slowly to release the pressure.
2. Fill slowly with a fuel can. If you spill fuel, remove it with a cloth and let remaining fuel dry off. (Fig. 24)
3. Clean the area around the fuel tank cap.
4. Tighten the fuel tank cap fully. If the fuel tank cap is not tightened, there is a risk of fire.
5. Move the product a minimum of 3 m (10 ft) from the position where you filled the tank before a start.

To set the cutting height

1. Move the cutting height lever rearward to increase the cutting height.
2. Move the cutting height lever forward to decrease the cutting height. (Fig. 25)



CAUTION: Do not set the cutting height too low. The blades can hit the ground if the surface of the lawn is not level.

To start the product

1. Make sure that the ignition cable is connected to the spark plug.
2. Stay behind the product.
3. Hold the engine brake handle against the handlebar. (Fig. 26)
4. Hold the starter rope handle with your right hand.

5. Slowly pull out the starter rope until you feel some resistance.
6. Pull with force to start the engine.



WARNING: Do not twist the starter rope around your hand.

To use the drive on the wheels LC 151S & LB 256SP

- Push the drive bail in the direction of the handlebar. (Fig. 27)
- Release the drive bail to disengage the drive, for example when you go near an obstacle.
- Before you pull the product rearward, disengage the drive and push the product forward approximately 10 cm.

To use the drive on the wheels (LB 251S)

- Pull the drive lever in the direction of the handlebar. (Fig. 28)
- Push the drive lever away from the handlebar to disengage the drive, for example when you go near an obstacle.

Note: The drive lever is automatically disengaged when you release the engine brake handle.

- Before you pull the product rearward, push the drive lever away from the handlebar and push the product forward approximately 10 cm to fully disengage the drive.

To stop the product

- To stop the drive only, release the drive bail (LC 151S, LB 256SP) or the drive lever (LB 251S).
- To stop the engine, release the engine brake handle.

To use the product with the grass catcher (LC 151, LC 151S)



WARNING: Do not operate the product without a grass catcher installed or without the rear cover closed. Objects can eject and cause injury to the operator.

1. Lift the rear cover and remove the mulch plug if it is installed. (Fig. 29)
2. Assemble the grass catcher, refer to *To assemble the grass catcher (LC 151, LC 151S) on page 11*.
3. Put the grass catcher on the bracket.
4. Release the rear cover and put it on top of the grass bag frame. (Fig. 30)

To change the product to mulch mode (LC 151, LC 151S)

Make sure the engine is off before you change the product to mulch mode.

1. Lift the rear cover and remove the grass catcher, if it is installed.
2. Put the mulch plug into the discharge channel. (Fig. 31)
3. Close the rear cover and make sure that it is tightly closed against the mulch plug.
4. Replace the blade with the mulch blade that is supplied in the mulch kit. Refer to *To replace the blade on page 14*.

To change the product to side discharge mode

1. Lift the rear cover and remove the grass bag, if it is installed.
2. Close the rear cover and make sure that it is tightly closed against the product.
3. Lift the discharge lock. (Fig. 32)
4. Open the side discharge cover and install the side discharge deflector onto the support pins. (Fig. 33)
5. Let the side discharge cover close against the side discharge deflector. Make sure that the side discharge deflector is tightly in position before you operate the product.

To empty the grass catcher



CAUTION: Lift the grass catcher when you move it to prevent wear.

1. Lift the grass catcher with the frame handle.
2. Use the frame handle and the bag handle when you empty the grass catcher. (Fig. 34)

To get a good result

- Always use a sharp blade. A blunt blade gives an irregular result and the cut surface of the grass becomes yellow. A sharp blade also uses less energy than a blunt blade.
- Do not cut more than $\frac{1}{3}$ of the length of the grass. Use the highest cutting height when you start to cut the grass. Examine the result and lower the cutting height to an applicable level. If the grass is very long, operate slowly and cut 2 times if it is necessary.
- Cut in different directions each time to prevent stripes in the lawn.
- Lift the rear cover and remove the grass catcher.
- If a mulch plug and a mulch blade are attached, remove them.

- Close the rear cover before you operate the product. When you operate the product, the cut grass discharges below the rear cover.

Maintenance

Introduction



WARNING: Before you do maintenance, you must read and understand the safety chapter.

For all servicing and repair work on the product, special training is necessary. We guarantee the availability of professional repairs and servicing. If your dealer is not a service agent, speak to them for information about the nearest service agent.

Maintenance schedule



CAUTION: Make sure that the air filter is up and not against the ground when you tilt the product. Risk of engine damage.

The maintenance intervals are calculated from daily use of the product. The intervals change if the product is not used daily.

For maintenance identified with * refer to instructions in *Safety devices on the product on page 9.*

Maintenance	Daily	Monthly	Each season
Do a general inspection	X		
Examine the oil level	X		
Replace the oil (the first time after 5 h of use, then after each 50 h of use) ¹			X
Clean the product	X		
Examine the cutting equipment	X		
Examine the cutting cover *	X		
Examine the engine brake handle *	X		
Examine the muffler *		X	
Examine the spark plug. Clean or replace the spark plug if it is necessary			X
Examine the air filter	X		
Clean the air filter ²		X	
Replace the air filter			X
Examine the fuel system			X
Clean the cooling fins on the cylinder		X	
Examine and adjust the clutch wire (LC 151S, LB 251S, LB 256SP)			X
Clean below the transmission cover (LB 251S)			X

To do a general inspection

- Make sure that all nuts and screws on the product are tightened correctly.

To clean the product externally

- Use a brush to remove leaves, grass and dirt.
- Make sure that the air intake on the top of the engine is not blocked.

¹ If the product is operated with heavy load or in high ambient temperatures, replace the engine oil each 25 hours.

² Clean more often under dusty conditions or when airborne debris is present. Replace air filter, if it is very dirty.

- Do not use a high pressure washer to clean the product.
- If you use water to clean the product, do not flush water directly on the engine.

To clean the inner surface of the cutting cover

1. Empty the fuel tank.
2. Tilt the product. Make sure that the spark plug point up.



CAUTION: If the product is put with the air filter down, the engine can become damaged.

3. Hose down the inner surface of the cutting cover with water.

To clean below the transmission cover (LB 251S)

1. Empty the fuel tank.
2. Tilt the product. Make sure that the spark plug point up.



CAUTION: If the product is put with the air filter down, the engine can become damaged.

3. Remove the 7 screws. (Fig. 35)
4. Remove the transmission cover.
5. Clean the surface with a brush.



CAUTION: Water or contamination below the transmission cover can cause damage to the transmission.

6. Install the transmission cover and the 7 screws.

To examine the cutting equipment



WARNING: To prevent accidental start remove the ignition cable from the spark plug.



WARNING: Use protective gloves when you do maintenance on the cutting equipment. The blade is very sharp and cuts can easily occur.

1. Examine the cutting equipment for damage or cracks. Always replace a damaged cutting equipment.
2. Look at the blade to see if it is damaged or blunt.

Note: It is necessary to balance the blade after it is sharpened. Let a service center sharpen, replace and balance the blade. If you hit an obstacle that causes the product to stop, replace the damaged blade. Let the

service center estimate if the blade can be sharpened or must be replaced.

To replace the blade

1. Lock the blade with a block of wood. (Fig. 36)
2. Remove the blade bolt.
3. Remove the blade.
4. Examine the blade support and blade bolt to see if there are damages.
5. Examine the engine shaft to make sure that it is not bent.
6. When you attach the new blade, point the angled ends of the blade in the direction of the cutting cover. (Fig. 37)
7. Make sure that the blade is aligned with the center of the engine shaft.
8. Lock the blade with a block of wood. Attach the spring washer and tighten the bolt and washer with a torque of 43 – 47 Nm. (Fig. 38)
9. Pull the blade around by hand and make sure that it turns freely.
10. Start the product to do a test of the blade. If the blade is not correctly attached, there is vibration in the product or the cutting result is unsatisfactory.



WARNING: Use heavy duty gloves. The blade is very sharp and cuts can easily occur.

To do a check of the oil level



CAUTION: A too low oil level can do damage to the engine. Do a check of the oil level before you start the product.

1. Put the product on level ground.
2. Remove the oil tank cap with the attached dipstick.
3. Clean the oil from the dipstick.
4. Put the dipstick fully into the oil tank to give a correct picture of the oil level.
5. Remove the dipstick.
6. Examine the oil level on the dipstick.
7. If the oil level is low, fill with engine oil and do a check of the oil level again.

To replace the engine oil



WARNING: Engine oil is very hot directly after the engine is stopped. Let the engine become cool before you drain the engine oil. If you spill engine oil on your skin, clean with soap and water.

(Fig. 39)

1. Operate the product until the fuel tank is empty.
2. Remove the ignition cable from the spark plug.
3. Remove the oil tank cap.
4. Put a container below the product to collect the engine oil in.
5. Tilt the product to drain the engine oil from the oil tank.
6. Fill with new engine oil of the type recommended in *Technical data on page 18*.
7. Do a check of the oil level. Refer to *To do a check of the oil level on page 14*.

To examine the spark plug



CAUTION: Always use the recommended spark plug type. Incorrect spark plug type can cause damage to the product.

- Examine the spark plug if the engine is low on power, is not easy to start or does not operate correctly at idle speed.
- To decrease the risk of unwanted material on the spark plug electrodes, obey these instructions:
 - a) Make sure that the idle speed is correctly adjusted.
 - b) Make sure that the fuel mixture is correct.
 - c) Make sure that the air filter is clean.
- If the spark plug is dirty, clean it and make sure that the electrode gap is correct, refer to *Technical data on page 18*. (Fig. 40)
- Replace the spark plug if it is necessary.

Air filter

A dirty air filter can cause the engine to be damaged or not operate correctly. Do maintenance on the air filter more frequently in dusty conditions. Refer to *Maintenance on page 13* for information about when to replace the air filter.

Note: Always replace a damaged air filter.

To remove and install the air filter



WARNING: Use protective gloves.

1. Push the clips on the air filter cover.
2. Carefully remove the air filter cover (A) from the engine.
3. Remove the air filter (B). (Fig. 41)
4. Examine the air filter for damages. Replace a damaged air filter.
5. Clean and examine the air filter. Refer to *To clean the air filter on page 15*.
6. Install in the opposite sequence.

To clean the air filter

A dirty air filter can cause the engine to be damaged or not operate correctly. Do maintenance on the air cleaner more frequently in dusty conditions.

See *Maintenance on page 13* for information about when to replace the air filter.

1. Remove the air filter cover and remove the filter.
2. Clean the filter by hitting it against a flat surface. Do not use solvent with petroleum, kerosene or compressed air to clean the filter.

Note: Air filters in operation for a long time cannot be cleaned fully. Replace the air filter at regular intervals. Damaged air filters must always be replaced.

3. When you assemble the air filter, make sure that it fully seals against the filter holder.

To do a check of the side discharge deflector

The side discharge deflector is attached to the side discharge opening of the product. It decreases the risk of objects to eject in the direction of the mow position of the operator.

1. Make sure that the side discharge deflector is not damaged.
2. Examine the side discharge deflector. Make sure that you do not see defects, such as cracks or broken springs that push the door to close.
3. Replace the side discharge deflector or the springs if they are damaged.

To examine the fuel system

- Examine the fuel tank cap and the seal for the fuel tank cap to make sure that there are no damages.
- Examine the fuel hose to make sure that there are no leaks. If the fuel hose is damaged, let a service agent replace it.

To adjust the clutch wire (LC 151S, LB 251S, LB 256SP)

For the situations that follow, it is necessary to decrease the length of the clutch wire:

- The drive of the wheels does not engage when you pull the drive bail or the speed control lever.
- The product moves slowly when the drive of the wheels is engaged.

For the situations that follow, it is necessary to extend the length of clutch wire:

- The product moves when the drive of the wheels is not engaged.
- Adjust the clutch wire.

- a) To decrease the length of clutch wire, turn the adjuster screw counterclockwise.
- b) To extend the length of the clutch wire, turn the adjustment screw clockwise. (Fig. 42)

If the product continues to drive unsatisfactory after the adjustment, speak to your servicing dealer

Engine troubleshooting

Problem	Possible cause	Solution
The engine does not start.	The ignition cable is not connected correctly.	Connect the ignition cable to the spark plug.
	The fuel tank is empty.	Fill the fuel tank with correct fuel type.
	The fuel is old.	Drain the fuel tank and the carburetor. Refuel with new gasoline.
	There is dirt in the carburetor or fuel line.	Clean the carburetor and/or fuel line.
	The spark plug is defective.	Adjust the electrode gap, clean or replace the spark plug.
	There is fuel on the spark plug.	Clean the spark plug.
The engine does not stop.	The stop mechanism is defective.	Disconnect the ignition cable from the spark plug. Let an approved service agent repair the product.
The engine does not operate smoothly.	The ignition cable is not connected correctly.	Connect the ignition cable to the spark plug.
	There is dirt in the fuel line or the fuel has expired.	Clean the fuel line. Fill the fuel tank with new fuel of the correct type.
	There is blockage in the fuel tank cap.	Clean the fuel tank cap.
	There is water or dirt in the fuel system.	Drain the fuel tank. Fill the fuel tank with new fuel of the correct type.
	The air filter is dirty.	Clean the air filter.
	The carburetor must be adjusted.	Let a servicing dealer adjust the carburetor.
The engine becomes too hot.	The engine oil level is too low.	Fill engine oil.
	The air flow is not sufficient.	Clean the air filter and the air filter housing.
	The carburetor must be adjusted.	Let a servicing dealer adjust the carburetor.
There is misfire in the engine when it operates at high speed.	The electrode gap in the spark plug is too small.	Adjust the electrode gap.
Unusual noises from the engine during normal load.	Incorrect type of gasoline.	Drain the fuel tank and the carburetor. Refuel with new gasoline. Refer to <i>To fill fuel on page 11</i> . If the problem continues speak to your local service dealer.

Problem	Possible cause	Solution
The engine does not operate smoothly at idle speed.	The spark plug is dirty, defective or the electrode gap is too wide.	Adjust the electrode gap or replace the spark plug.
	The carburetor must be adjusted.	Adjust the carburetor.
	The air filter is dirty.	Clean the air filter.

Transportation, storage and disposal

Transportation and storage

- For storage and transportation of the product and fuel, make sure that there are no leaks or fumes. Sparks or open flames, for example from electrical devices or boilers, can start a fire.
- Always use approved containers for storage and transportation of fuel.
- Empty the fuel tank before you put the product in storage for a long period of time. Discard the fuel at an applicable disposal location
- Safely attach the product during transportation to prevent damage and accidents.
- Keep the product in a locked area to prevent access for children or persons that are not approved.
- Keep the product in a dry and frost free area.

Disposal

- Obey the local recycling requirements and applicable regulations.
- Discard all chemicals, such as engine oil or fuel, at a service center or at an applicable disposal location.
- When the product is no longer in use, send it to a Husqvarna dealer or discard it at a recycling location.

Technical data

Technical data

	LC 151	LC 151S	LB 251S	LB 256SP
Engine				
Brand	Husqvarna	Husqvarna	Husqvarna	Husqvarna
Engine type	Single cylinder, 4-Stroke, Forced Air Cooling, OHV	Single cylinder, 4-Stroke, Forced Air Cooling, OHV	Single cylinder, 4-Stroke, Forced Air Cooling, OHV	Single cylinder, 4-Stroke, Forced Air Cooling, OHV
Displacement, cm ³	166	166	166	166
Speed, rpm	2800	2800	2800	2800
Nominal engine output, kW ³	2.7	2.7	2.7	2.7
Ignition system				
Spark plug	Husqvarna HQT-7	Husqvarna HQT-7	Husqvarna HQT-7	Husqvarna HQT-7
Electrode gap, mm	0.7–0.8	0.7–0.8	0.7–0.8	0.7–0.8
Fuel and lubrication system				
Engine lubrication type	Splash	Splash	Splash	Splash
Fuel tank capacity, litre	1.0	1.0	1.0	1.0
Oil tank capacity, litre	0.5	0.5	0.5	0.5
Engine oil ⁴	Husqvarna SAE 30	Husqvarna SAE 30	Husqvarna SAE 30	HusqvarnaSAE 30
Weight				
With empty tanks, kg	31.1	32.6	32.0	33.1
Noise emissions⁵				
Sound power level, measured, dB(A)	96	96	95	97
Sound power level, guaranteed, L _{WA} dB(A)	98	98	96	98
Sound levels⁶				

³ The power rating of the engine indicated is the average net output (at specified rpm) of a typical production engine for the engine model measured to SAE standard J1349/ISO1585. Mass production engines may differ from this value. Actual power output for the engine installed on the final product will depend on the operating speed, environmental conditions and other values.

⁴ If SAE-30 oil is used at temperatures lower than +5 °C, there is a risk that it does not lubricate the engine sufficiently. This can cause engine damage. Refer to *To replace the engine oil on page 14* for the correct oil for low temperatures.

⁵ Noise emissions in the environment measured as sound power (L_{WA}) in conformity with EC directive 2000/14/EC.

⁶ Reported data for noise pressure level has a typical statistical dispersion (standard deviation) of 1.2 dB (A).

	LC 151	LC 151S	LB 251S	LB 256SP
Sound pressure level at operators ear, dB(A)	86	86	82	86
Vibration levels⁷				
Vibrations handlebar, m/s ²	8.5	8.5	4.7	7.5
Cutting equipment				
Cutting height, mm	25–75	25–75	25–75	25–75
Cutting width, mm	510	510	510	560
Cutting system	Collection / Bio-Clip® / Side discharge	Collection / Bio-Clip® / Side discharge	BioClip® / Side discharge	BioClip® / Side discharge
Blade - standard	Collection 598562601	Collection 598562601	Mulch 597683901	Mulch 598563601
Blade - Accessory	Mulch 597683901	Mulch 597683901	–	–
Grass catcher capacity, liter	65	65	–	–
Drive				
Self walk speed, km/h	–	3.6	4.0	3.6

⁷ Reported data for vibration level has a typical statistical dispersion (standard deviation) of 0.2 m/s².

EC Declaration of Conformity

EC Declaration of Conformity

Husqvarna AB, SE-561 82 Huskvarna, Sweden, tel: +46-36-146500, declares that the **lawn mower Husqvarna LC 151, LC 151S, LB 251S, LB 256SP** from the year 2020 and onwards, complies with the requirements of the COUNCIL'S DIRECTIVE:

- of June 8, 2011 on the "restriction of use of certain hazardous substances" **2011/65/EU**
- of May 17, 2006 "relating to machinery" **2006/42/EC**
- of February 26, 2014 "relating to electromagnetic compatibility" **2014/30/EU**
- of May 8, 2000 "relating to the noise emissions in the environment" **2000/14/EC**

Information relating to noise emissions, see Technical data.

The following standards have been applied:

EN ISO 5395-1:2013, EN ISO 5395-1:2013/A1, EN ISO 5395-2:2013, EN ISO 5395-2:2013/A1:2016, EN ISO 5395-2:2013/A2:2017, EN ISO 14982:2009

If not otherwise stated, the above listed standards are the latest published versions.

Notified body (LC 151, LC 151S, LB 256SP): **0036, TÜV SÜD Industrie Service GmbH, Westendstrasse 199, 80686 München, Germany** has performed conformity assessment according to Annex VI of directive 2000/14/EC.

Notified body (LB 251S): **0404, RISE SMP Svensk Maskinprovning AB, Box 7035, SE-750 07 Uppsala, Sweden** has performed conformity assessment according to Annex VI of directive 2000/14/EC.

Huskvarna, 2020-10-20



Claes Losdal, Development Manager/Garden Products
(Authorized representative for Husqvarna AB and responsible for technical documentation)

Съдържание

Въведение.....	21	Отстраняване на неизправностите по двигателя.....	32
Безопасност.....	22	Транспортиране, съхранение и изхвърляне.....	33
Монтаж.....	25	Технически характеристики.....	34
Операция.....	26	Декларация за съответствие на ЕО.....	36
Поддръжка.....	28		

Въведение

Описание на продукта

Продуктът е пешеходна ротационна косачка. За LC 151, LC 151S закрепете коша за трева за събиране на тревата. Закрепете страничния разтоварващ дефлектор за странично разтоварване на тревата. За LC 151, LC 151S закрепете комплект за

мулчиране за нарязване на тревата и превръщането ѝ в тор.

Предназначение

Използвайте продукта за косене на трева. Не използвайте продукта за други задачи.

Общ преглед на продукта

(Фиг. 1)

1. Управление
2. Ръчка за спиращката на двигателя
3. Дръжка за задвижване (LC 151S, LB 256SP)
4. Задвижващ лост (LB 251S)
5. Заден капак (LC 151, LC 151S)
6. Кош за трева (LC 151, LC 151S)
7. Фиксатори за височината на дръжката
8. Лост за височината на рязане
9. Капачка за масло и мерителна пръчка
10. Капак на страничното разтоварване
11. Ауспух
12. Запалителна свещ
13. Карбуратор
14. Капачка на резервоара за гориво
15. Символи
16. Капак срещу порязване
17. Въздушен филтър
18. Страничен дефлектор
19. Комплект за мулчиране (аксесоар за LC 151, LC 151S)
20. Дръжка на въжето на стартера
21. Инструкция за експлоатация

- инструкциите, преди да използвате машината.
- (Фиг. 4) Пазете се от отскачащи предмети и рикошети.
- (Фиг. 5) Дръжте хората и животните на безопасно разстояние от работната зона.
- (Фиг. 6) Предупреждение: Дръжте ръцете и краката си далеч от въртящия се нож.
- (Фиг. 7) Предупреждение: Дръжте ръцете и краката си далеч от въртящи се части.
- (Фиг. 8) Спрете двигателя и отстранете запалителния кабел преди ремонти или техническо обслужване.
- (Фиг. 9) Този продукт отговаря на изискванията на приложимите директиви на ЕО.
- (Фиг. 10) Шумови емисии в околната среда в съответствие с Директивата на Европейската общност. Емисиите на продукта са посочени в раздела за технически характеристики и на табелката.
- (Фиг. 11) Риск от пожар.
- (Фиг. 12) Не вдъшвайте отработени газове. Отработените газове от двигателя съдържат въглероден окис – много опасен, отровен газ без миризма. Не стартирайте двигателя на закрито или в затворени пространства.
- (Фиг. 13) Гореща повърхност.

Символи върху машината

- (Фиг. 2) **ПРЕДУПРЕЖДЕНИЕ!** Внимавайте и използвайте продукта правилно. Този продукт може да причини сериозно нараняване или смърт на оператора и други хора.
- (Фиг. 3) Прочетете внимателно ръководството за оператора и се уверете, че разбирате

(Фиг. 14) Напълнете двигателя с масло, преди да започнете да използвате продукта.

Забележка: Останалите символи/стикери на продукта се отнасят до изисквания по отношение на сертификати за някои търговски зони.

Отговорност за продукта

Както е посочено в законите за отговорност за вреди, причинени от стоки, ние не носим отговорност за щети, причинени от нашия продукт, ако:

- продуктът е неправилно ремонтиран.

- продуктът е ремонтиран с части, които не са от производителя или не са одобрени от производителя.
- продуктът има принадлежност, която не е от производителя или не е одобрена от производителя.
- продуктът не е ремонтиран в одобрен сервизен център или от одобрен орган.

Емисии Euro V



ПРЕДУПРЕЖДЕНИЕ: Намесата в двигателя прави невалидно ЕС одобрението на тип на този продукт.

Безопасност

Дефиниции за безопасност

Предупреждения, знаци за внимание и бележки се използват за указване на особено важни части на инструкцията.



ПРЕДУПРЕЖДЕНИЕ: Използва се, ако има опасност от нараняване или смърт за оператора или за околните, ако не се спазват инструкциите в ръководството.



ВНИМАНИЕ: Използва се, ако има опасност от повреждане на машината, други материали или съседната зона, ако не се спазват инструкциите в ръководството.

Забележка: Използва се за предоставяне на повече информация, която е необходима в дадена ситуация.

Общи инструкции за безопасност



ПРЕДУПРЕЖДЕНИЕ: Прочетете следващите предупредителни указания, преди да използвате машината.

- Този продукт е опасен, ако се използва неправилно или ако не сте внимателни. Неспазването на инструкциите за безопасност може да доведе до нараняване или смърт.
- Тази машина създава електромагнитно поле по време на работа. При някои условия това поле може да интерферира с активни или пасивни медицински имплантанти. За да намалите риска от тежко или смъртоносно нараняване, ние препоръчваме лицата с медицински имплантанти да говорят с лекаря си и производителя на медицинския имплант, преди да започнат да работят с тази машина.
- Винаги бъдете внимателни и подхождайте разумно. Ако не сте сигурни как да работите с

продукта при специална ситуация, спрете и се обърнете към Вашия дилър на Husqvarna, преди да продължите.

- Имайте предвид, че операторът носи отговорност за нещастни случаи, включващи други хора или тяхното имущество.
- Поддържайте продукта чист. Уверете се, че разчитате ясно знаците и стикерите.
- Не позволявайте на когото и да е да работи с продукта, докато не се уверите, че е прочел и разбрал съдържанието на инструкцията за експлоатация.
- Не позволявайте на деца да работят с продукта.
- Дръжте децата далеч от работната зона. През цялото време трябва да присъства отговорен възрастен.
- Не позволявайте на лица, които не са запознати с инструкциите, да работят с продукта.
- Винаги наблюдавайте лица с намален физически или умствен капацитет, които използват продукта. През цялото време трябва да присъства отговорен възрастен.
- Не използвайте продукта, ако сте уморени, болни или под въздействието на алкохол, наркотици или лекарства. Това състояние оказва отрицателно въздействие върху Вашето зрение, бдителност, координация и преценка.
- Не използвайте продукта, ако е неизправен.
- Не променяйте този продукт или не го използвайте, ако има вероятност той да е бил променен от друг.
- Не променяйте регулировката за управление на оборотите на двигателя.

Безопасност на работната област



ПРЕДУПРЕЖДЕНИЕ: Прочетете следващите предупредителни указания, преди да използвате машината.

- Отстранете препятствия като клони, пръчки и камъни от работната зона, преди да използвате продукта.
- Обектите, които се удрят в режещото оборудване, могат да бъдат изхвърлени и да причинят нараняване на лицата и щети на предметите. Дръжте страничните наблюдатели и животните на безопасно разстояние от продукта.
- Никога не използвайте продукта в лошо време – например при мъгла, дъжд, силни ветрове, много силен студ и риск от мънии. Използването на продукта в лошо време или върху влажни или мокри терени е изморително. Лошото време може да създаде опасни условия, като например хлъзгави повърхности.
- Внимавайте за лица, предмети и ситуации, които могат да са причина за намаляване на безопасната работа на продукта.
- Внимавайте за препятствия като корени, камъни, клони, ями и канавки. Дългата трева може да крие препятствия.
- Косенето на трева на склон може да бъде опасно. Не работете с продукта, когато наклонът на повърхността е повече от 15°.
- Използвайте продукта напречно на склона. Не се движете нагоре и надолу.
- Внимавайте, когато преминавате покрай закриватъли и предмети, които скриват зрителното Ви поле.

Безопасност при работа



ПРЕДУПРЕЖДЕНИЕ: Прочетете следващите предупредителни указания, преди да използвате машината.

- Използвайте този продукт само за косене на морави. Не се допуска използването му за други цели.
- Използвайте лични предпазни средства. Вижте *Лични предпазни средства на страница 23*.
- Уверете се, че знаете как бързо да спрете двигателя при аварийна ситуация.
- Никога не стартирайте двигателя в затворено пространство или близо до запалими материали. Отработените газове от двигателя са горещи и могат да съдържат искри, които да предизвикат пожар.
- Не работете с продукта, докато ножът и всички капаци не се монтират правилно. Неправилно монтираният нож може да се разхлаби и да причини телесна повреда.
- Уверете се, че ножът няма да се удря в обекти, като например камъни и корени. Това може да доведе до повреда на ножа и до огъване на двусекционния вал на двигателя. Огънатата ос предизвиква силни вибрации и има много голяма опасност ножът да се разхлаби.
- Ако ножът се удари в някакъв обект или се получат вибрации, спрете веднага продукта.

Изключете запалителния кабел от запалителната свещ. Проверете продукта за повреди. Ремонтирайте повредите или потърсете оторизиран сервиз за това.

- Никога не прикрепяйте ръчката на спирачката на двигателя за постоянно върху дръжката, когато двигателят е стартиран.
- Поставете продукта върху стабилна, равна повърхност и го стартирайте. Уверете се, че ножът не се допира в земята или в други предмети.
- Винаги стойте зад продукта, когато го използвате.
- Всички колела трябва да бъдат на земята и да държите дръжката с 2 ръце, когато работите с продукта. Дръжте ръцете и краката си далеч от въртящите се остриета.
- Не накланяйте продукта при стартиран двигател.
- Бъдете внимателни, когато дърпате продукта назад.
- Никога не повдигайте продукта при стартиран двигател. Ако се налага да вдигнете продукта, първо спрете двигателя и изключете запалителния кабел от запалителната свещ.
- Не се движете назад при работа с продукта.
- Спрете двигателя, когато преминавате през области без трева, например пътеки от чакъл, камък или асфалт.
- Не тичайте с продукта, когато двигателят работи. Винаги ходете, когато работите с продукта.
- Спрете двигателя, преди да промените височината на рязане. Никога не регулирайте при стартиран двигател.
- Никога не оставяйте продукта без надзор, когато двигателят работи. Спрете двигателя и се уверете, че режещото оборудване не се върти.

Инструкции за безопасност за работа

Лични предпазни средства



ПРЕДУПРЕЖДЕНИЕ: Прочетете следващите предупредителни указания, преди да използвате машината.

- Личните предпазни средства не изключват изцяло риска от нараняване, но намаляват степента на нараняването при злополука. Нека вашият дилър Ви помогне да изберете подходящото оборудване.
- Използвайте антифони, ако нивото на шума е по-високо от 85 dB.
- Носете ботуши или обувки, устойчиви на хлъзгане. Не носете отворени обувки и не ходете боси.
- Използвайте дълги панталони от здрав плат.

- Когато е необходимо, носете защитни ръкавици, например, когато закрепвате, проверявате или почиствате режещото оборудване.

Приспособления за безопасност на машината



ПРЕДУПРЕЖДЕНИЕ: Прочетете следващите предупредителни указания, преди да използвате машината.

- Не използвайте машина с неизправни приспособления за безопасност.
- Проверявайте редовно приспособленията за безопасност. Ако приспособленията за безопасност са дефектни, говорете с Вашия сервиз Husqvarna.

За проверка на капака срещу порязване

Капакът срещу порязване намалява вибрациите в продукта и опасността от нараняване, причинени от острието.

- Проверете капака срещу порязване, за да се уверите, че няма повреди, като например пукнатини.

За проверка на ръчката на спирачката на двигателя

Ръчката за спирачката на двигателя спира двигателя. Когато ръчката за спирачката на двигателя бъде пусната, двигателят спира.

- Запалете двигателя и след това освободете ръчката на спирачката на двигателя. Ако двигателят не спре след 3 секунди, позволете на одобрен Husqvarna сервиз да регулира спирачката на двигателя. (Фиг. 15)

За да извършите проверка на задния капак

Задният дефлектор намалява риска от изхвърляне на предмети по посока на оператора.

- Уверете се, че задният капак не е повреден.
- Уверете се, че пружините, които затварят задния капак, не са повредени.
- Заменяйте повредените пружини и части.
- Уверете се, че задният капак може да се движи свободно върху пантите.

Ауспух

Ауспухът е предназначен за максимално намаляване на нивата на шума и за отвеждане на отработените газове настрани от потребителя.

Не използвайте машината, ако ауспухът липсва или е дефектен. Дефектен ауспух увеличава нивото на шума и риска от злополука.



ПРЕДУПРЕЖДЕНИЕ: Ауспухът се нагрива много по време и след работа и също при обороти на празен ход. Бъдете внимателни близо до запалими материали и/или газове, за да предотвратите възникването на пожар.

За проверка на ауспуха

- Проверявайте ауспуха редовно, за да сте сигурни, че е закрепен правилно и не е повреден.

Безопасност при работа с гориво



ПРЕДУПРЕЖДЕНИЕ: Прочетете следващите предупредителни указания, преди да използвате машината.

- Не включвайте продукта, ако върху него има гориво или моторно масло. Отстранете нежеланото гориво/масло и оставете продукта да изсъхне.
- Ако разлеете гориво по дрехите си, сменете ги незабавно.
- Внимавайте да не попадне гориво върху тялото Ви, това може да доведе до телесни увреждания. Ако гориво попадне върху тялото Ви, използвайте сапун и вода, за да го отстраните.
- Не стартирайте продукта, ако от двигателя има теч. Проверявайте редовно двигателя за течове.
- Внимавайте с горивото. Горивото е запалимо, изпаренията са взривоопасни и могат да причинят телесни увреждания или смърт.
- Не вдъшвайте горивните изпарения, това може да доведе до телесни увреждания. Уверете се, че има достатъчен въздушен поток.
- Не пушете близо до горивото или двигателя.
- Не поставяйте топли предмети близо до горивото или двигателя.
- Не добавяйте гориво, когато двигателят работи.
- Уверете се, че двигателят е изстинал преди зареждане с гориво.
- Преди зареждане с гориво отворете бавно капачката на резервоара за гориво и освободете внимателно налягането.
- Не добавяйте гориво към двигателя на закрито. Недостатъчен въздушен поток може да доведе до нараняване или смърт поради задушаване или въглероден окис.
- Затегнете капачката на резервоара за гориво докрай. Ако капачката на резервоара за гориво не е затегната, има риск от злополука.
- Преди да включите двигателя, преместете продукта най-малко на 3 m/10 ft от мястото, където сте заредили резервоара.
- Не зареждайте резервоара за гориво догоре. Топлината причинява увеличаване на обема на горивото. Оставете място в горната част на резервоара за гориво.

Инструкции за безопасност при техническо обслужване



ПРЕДУПРЕЖДЕНИЕ: Прочетете следващите предупредителни указания, преди да използвате машината.

- Отработените газове от двигателя съдържат въглероден окис – много опасен, отровен газ без миризма. Не стартирайте двигателя на закрито или в затворени пространства.
- Преди техническо обслужване на продукта спрете двигателя и изключете запалителния кабел от запалителната свещ.
- Носете защитни ръкавици, когато ще изпълнявате дейности, свързани с техническото обслужване на режещото оборудване. Ножът е много остър и можете лесно да се порежете.

- Аксесоари и промени на продукта, които не са одобрени от производителя, могат да доведат до сериозно нараняване или смърт. Не правете промени по продукта. Винаги използвайте само аксесоари, които са одобрени от производителя.
- Ако техническото обслужване не се изпълнява правилно и редовно, рискът от нараняване и повреда на продукта се увеличава.
- Изпълнявайте техническото обслужване само както е посочено в това ръководство на собственика. Всички останали сервисни дейности трябва да се извършват от одобрен Husqvarna сервис.
- Позволете одобрен Husqvarna сервис редовно да обслужва продукта.
- Заменете повредени, износени или счупени части.

Монтаж

Въведение



ПРЕДУПРЕЖДЕНИЕ: Преди сглобяване на продукта трябва да прочетете и разберете главата за безопасност.



ПРЕДУПРЕЖДЕНИЕ: Отстранете кабела на запалителната свещ от запалителната свещ, преди да сглобите продукта.

За да монтирате ръкохватката

1. Прекарайте винта (A) през ръкохватката (B), пластмасовата шайба (C) и опорната скоба на ръкохватката (D). (Фиг. 16)
2. Затегнете гайката (E) докрай.
3. Прекарайте винта (F) през шайбата (G) и опорната скоба на ръкохватката. (Фиг. 17)
4. Затегнете фиксатора (H) докрай.

За регулиране на ръкохватката

1. Разхлабете долните копчета.
2. Преместете фиксаторите към долния край на каналите от лявата и дясната страна на продукта. (Фиг. 18)
3. Задайте височината на дръжката в едно от 2 възможни положения.
4. Преместете фиксаторите по посока на дръжката, докато спрат и се чуе щракване. (Фиг. 19)

5. Затегнете напълно фиксаторите.

За задаване на продукта в положение за транспортиране

1. Разхлабете долните копчета.
2. Преместете фиксаторите към долния край на каналите от лявата и дясната страна на продукта. (Фиг. 18)
3. Сгънете ръкохватката напред. (Фиг. 20)

Задаване на продукта в положение за работа

1. Сгънете дръжката в изправено положение. (Фиг. 21)
2. Преместете фиксаторите по посока на дръжката, докато спрат и се чуе щракване. (Фиг. 19)
3. Затегнете напълно фиксаторите.

За сглобяване на коша за трева (LC 151, LC 151S)

1. Прикрепете рамката на коша за трева към торбата за събиране на трева, като твърдата част на торбата трябва да е отдолу. Дръжте ръкохватката на рамката извън горната част на торбата. (Фиг. 22)
2. Закрепете торбата за трева към рамката с щипките. (Фиг. 23)

Операция

Въведение



ПРЕДУПРЕЖДЕНИЕ: Преди работа с продукта трябва да прочетете и разберете главата за безопасност.

Husqvarna Connect

Husqvarna Connect е безплатно приложение за Вашето мобилно устройство. Приложението Husqvarna Connect осигурява разширени функции за Вашия продукт на Husqvarna:

- Разширена продуктова информация.
- Информация и помощ за частите на продукта и сервисното обслужване.

За да започнете да използвате Husqvarna Connect

1. Изтеглете приложението Husqvarna Connect на Вашето мобилно устройство.
2. Регистрирайте се в приложението Husqvarna Connect.
3. Изпълнете стъпките с инструкции в приложението Husqvarna Connect, за да свържете и регистрирате продукта.

Преди да започнете работа с продукта

1. Прочетете внимателно ръководството за оператора и се уверете, че разбирате инструкциите.
2. Проверете режещото оборудване, за да се уверите, че то е правилно монтирано и регулирано. Вижте *За проверка на режещото оборудване на страница 29*.
3. Напълнете резервоара за гориво. Вижте *За наливане на гориво на страница 26*.
4. Напълнете резервоара за масло и проверете нивото на маслото. Вижте *За проверка на нивото на маслото на страница 30*.

За наливане на гориво

Ако има наличен, използвайте нискоемисионен/алкалитен бензин. Ако няма наличен нискоемисионен/алкалитен бензин, използвайте висококачествен безоловен бензин или оловен бензин с октаново число не по-малко от 90.



ВНИМАНИЕ: Не използвайте бензин с октаново число по-малко от 90 RON (87 AKI). Това може да повреди продукта.

1. Отворете бавно капачката на резервоара за гориво, за да освободите налягането.
2. Заредете бавно резервоара от туба с гориво. Ако разлеее гориво, попейте го с кърпа и оставете горивото, което остане да изсъхне. (Фиг. 24)
3. Почистете областта около капачката на резервоара за гориво.
4. Затегнете капачката на резервоара за гориво докрай. Ако капачката на резервоара за гориво не е затегната, има риск от злополука.
5. Преди да включите двигателя, преместете продукта най-малко на 3 m (10 ft) от мястото, където сте заредили резервоара.

За регулиране на височината на рязане

1. Преместете назад лоста за височина на рязане, за да увеличите височината на рязане.
2. Преместете напред лоста за височина на рязане, за да намалите височината на рязане. (Фиг. 25)



ВНИМАНИЕ: Не настройвайте твърде ниска височина на рязане. Ножовите могат да се ударят в земята, ако повърхността на моравата не е равна.

За стартиране на продукта

1. Уверете се, че запалителният кабел е свързан към запалителната свещ.
2. Останете зад продукта.
3. Задръжте ръчката на спирачката на двигателя до управлението. (Фиг. 26)
4. Дръжте дръжката на стартерното въже с дясната си ръка.
5. Бавно издърпайте стартерното въже, докато почувствате някакво съпротивление.
6. Издърпайте силно шнура, докато двигателят запали.



ПРЕДУПРЕЖДЕНИЕ: Не навивайте стартерното въже около ръчката си.

За да използвате задвижването на колелата LC 151S & LB 256SP

- Дръпнете дръжката за задвижване по посока на ръкохватката. (Фиг. 27)
- Освободете дръжката за задвижване, за да изключите задвижването, например, когато приближите препятствие.

- Преди да дръпнете продукта назад, изключете задвижването и бутнете продукта напред приблизително 10 cm.

За да използвате задвижването на колелата (LB 251S)

- Дръпнете задвижващия лост по посока на управлението. (Фиг. 28)
- Натиснете задвижващия лост в посока, обратна на управлението, за да изключите задвижването, когато приближите препятствие например.

Забележка: Задвижващият лост се изключва автоматично, когато освободите ръчката за спирачката на двигателя.

- Преди да дръпнете продукта назад, натиснете задвижващия лост в посока, обратна на управлението, и натиснете продукта напред с приблизително 10 cm, за да изключите задвижването напълно.

Спиране на продукта

- За да спрете само задвижването, освободете дръжката за задвижване (LC 151S, LB 256SP) или задвижващия лост (LB 251S).
- За да спрете двигателя, освободете ръчката за спирачката на двигателя.

За да използвате продукта с коша за трева (LC 151, LC 151S)



ПРЕДУПРЕЖДЕНИЕ: Не работете с продукта без монтиран кош за трева или без задния капак да е затворен. Възможно е да се изхвърлят предмети и да причинят нараняване на оператора.

1. Повдигнете задния капак и отстранете приставката за мулчиране, ако е монтирана. (Фиг. 29)
2. Сглобете коша за трева, вижте *За сглобяване на коша за трева (LC 151, LC 151S) на страница 25.*
3. Поставете коша за трева върху скобата.
4. Отпуснете задния капак и го поставете върху рамката на торбата за трева. (Фиг. 30)

За да превключите продукта към режим на мулчиране (LC 151, LC 151S)

Уверете се, че двигателят е изключен, преди да превключите продукта към режим на мулчиране.

1. Повдигнете задния капак и отстранете коша за трева, ако е монтиран.
2. Поставете приставката за мулчиране в канала за разтоварване на тревата. (Фиг. 31)

3. Затворете задния капак и се уверете, че е добре затворен към приставката за мулчиране.
4. Заменете ножа с ножа за мулчиране, доставен в комплекта за мулчиране. Вижте *За сменяне на ножовете на страница 29.*

За да превключите продукта към режим на странично разтоварване

1. Повдигнете задния капак и отстранете торбата за трева, ако е монтирана.
2. Затворете задния капак и се уверете, че е добре затворен към продукта.
3. Повдигнете блокировката за разтоварване. (Фиг. 32)
4. Отворете капака за странично разтоварване и монтирайте страничния разтоварващ дефлектор върху опорните щифтове. (Фиг. 33)
5. Оставете капака за странично разтоварване да се затвори към страничния разтоварващ дефлектор. Уверете се, че страничният разтоварващ дефлектор е фиксиран на позиция, преди да започнете работа с продукта.

За изпраждане на коша за трева



ВНИМАНИЕ: Повдигнете коша за трева, когато го местите, за да предотвратите износване.

1. Повдигнете коша за трева с ръкохватката на рамката.
2. Използвайте ръкохватката на рамката и ръкохватката на торбичката, когато изпраждате коша за трева. (Фиг. 34)

За получаване на добър резултат

- Винаги използвайте остър нож. Косенето със зътпен нож е неравномерно и окосената повърхност пожелтява. При работа с остър нож също така се използва по-малко енергия отколкото при работа със зътпен нож.
- Не отрязвайте повече от 1/3 от дължината на тревата. Използвайте най-голямата височина на рязане, когато започнете да режете тревата. Вижте какъв е резултатът и намалете височината на рязане до подходящо ниво. Ако тревата е много висока, работете бавно и окосете 2 пъти, ако е необходимо.
- Режете всеки път в различни посоки, за да избегнете образуването на линии в моравата.
- Повдигнете задния капак и извадете коша за трева.
- Ако има монтирани приставка за мулчиране и острие за мулчиране, извадете ги.
- Затворете задния капак преди работа с продукта. Когато работите с продукта, изрязаната трева се извежда под задния капак.

Поддръжка

Въведение



ПРЕДУПРЕЖДЕНИЕ: Преди да извършите техническо обслужване, трябва да прочетете и разберете раздела за безопасност.

За всички работи по поддръжката и поправката на продукта е необходимо специално обучение. Осигуряваме предлагане на професионални ремонти и обслужване. Ако Вашият дилър не предлага сервизно обслужване, говорете с него, за да Ви даде информация за най-близкия сервиз.

График за техническо обслужване



ВНИМАНИЕ: Уверете се, че въздушният филтър е насочен нагоре, а не към земята, когато наклоняте продукта. Опасност от повреда на двигателя.

Интервалите за техническо обслужване са изчислени в зависимост от ежедневната употреба на продукта. Интервалите се променят, ако продуктът не се използва ежедневно.

За техническо обслужване, маркирано със *, направете справка с инструкциите в *Приспособления за безопасност на машината на страница 24.*

Поддръжка	Ежедневно	Всеки месец	Всеки сезон
Обща проверка	X		
Проверка на нивото на маслото	X		
Смяна на маслото (първи път след 5 ч употреба, след това на всеки 50 ч употреба) ⁸			X
Почистване на продукта	X		
Преглед на режещото оборудване	X		
Проверка на капака на режещите части *	X		
Проверете ръчката на спирачката на двигателя *	X		
Проверете ауспуха *		X	
Проверете запалителната свещ. Почистете или сменете запалителната свещ, ако е необходимо			X
Проверете въздушния филтър	X		
Почистване въздушния филтър ⁹		X	
Смяна на въздушния филтър			X
Проверка на горивната система			X
Почистете охладителните ребра на цилиндъра		X	
Проверете и регулирайте кабела на съединителя (LC 151S, LB 251S, LB 256SP)			X

⁸ Ако продуктът работи при тежко натоварване или високи околни температури, сменяйте моторното масло на всеки 25 часа.

⁹ Почиствайте по-често в запрашена среда или когато във въздуха се носят частици. Сменете въздушния филтър, ако е много замърсен.

Поддръжка	Ежедневно	Всеки месец	Всеки сезон
Почистете под капака на трансмисията (LB 251S)			X

За извършване на обща проверка

- Уверете се, че всички гайки и винтове на продукта са затегнати правилно.

За външно почистване на машината

- За отстраняване на листа, трева и прах използвайте четка.
- Уверете се, че смукателният въздухпровод в горната част на двигателя не е блокиран.
- Не мийте продукта с устройство за миене под високо налягане.
- Ако използвате вода за почистване на продукта, не насочвайте струята вода директно върху двигателя.

За почистване на вътрешната повърхност на капака на режещите части

1. Изпразнете резервоара за гориво.
2. Наклонете продукта. Уверете се, че запалителната свещ е насочена нагоре.



ВНИМАНИЕ: Ако продуктът се постави с въздушния филтър надолу, двигателят може да се повреди.

3. Промийте вътрешната повърхност на капака на режещите части с вода.

За почистване под капака на трансмисията (LB 251S)

1. Изпразнете резервоара за гориво.
2. Наклонете продукта. Уверете се, че запалителната свещ е насочена нагоре.



ВНИМАНИЕ: Ако продуктът се постави с въздушния филтър надолу, двигателят може да се повреди.

3. Отстранете 7-те винта. (Фиг. 35)
4. Свалете капака на трансмисията.
5. Почистете повърхността с четка.



ВНИМАНИЕ: Наличието на вода или замърсяване под капака на трансмисията може да доведе до повреда на трансмисията.

6. Монтирайте капака на трансмисията и 7-те винта.

За проверка на режещото оборудване



ПРЕДУПРЕЖДЕНИЕ: За предотвратяване на случайно стартиране извадете запалителния кабел от запалителната свещ.



ПРЕДУПРЕЖДЕНИЕ: Носете защитни ръкавици, когато ще изпълнявате дейности, свързани с техническото обслужване на режещото оборудване. Ножът е много остър и можете лесно да се порежете.

1. Проверете режещото оборудване за повреди или пукнатини. Винаги заменяйте повреденото режещо оборудване.
2. Погледнете ножа, за да разберете дали не е повреден или затъпен.

Забележка: Необходимо е да балансирате ножа след заточване. Ножът се заточва, сменя и балансира от сервизен център. Ако ударите препятствие и вследствие на това продуктът спре, сменете повредения нож. Оставете специалистите в сервиса да преценят дали ножът ще трябва да се заточи, или да се смени.

За сменяне на ножовете

1. Застопорете ножа с дървен блок. (Фиг. 36)
2. Свалете придържащия болт на ножовете.
3. Свалете ножа.
4. Проверете носача на ножа и придържащия болт на ножовете, за да видите дали има повреди.
5. Проверете дали двусекционният вал на двигателя не е огънат.
6. Когато поставяте новия нож, насочете извитите краища на ножа по посока към капака на режещите части. (Фиг. 37)
7. Уверете се, че ножът е подравнен с центъра на двусекционния вал на двигателя.
8. Застопорете ножа с дървен блок. Поставете пружинната шайба и затегнете болта и шайбата с въртящ момент 43 – 47 Nm. (Фиг. 38)
9. Раздвижете ножа на ръка и се уверете, че той се върти свободно.



ПРЕДУПРЕЖДЕНИЕ: Използвайте ръкавици с висока здравина. Ножът е

много остър и можете лесно да се порежете.

10. Стартирайте продукта, за да тествате ножа. Ако ножът не е поставен правилно, продуктът вибира или резултатът от косенето е незадоволителен.

За проверка на нивото на маслото



ВНИМАНИЕ: Твърде ниското ниво на маслото може да доведе до повреда на двигателя. Проверете нивото на маслото, преди да стартирате продукта.

1. Позиционирайте машината на равна повърхност.
2. Отстранете капачката на резервоара с прикрепена мерителна пръчка.
3. Почистете маслото от мерителната пръчка.
4. Потопете мерителната пръчка докрай в резервоара за масло, за да получите точна информация за нивото на маслото.
5. Извадете мерителната пръчка.
6. Вижте колко е нивото на маслото на мерителната пръчка.
7. Ако нивото на маслото е ниско, долейте моторно масло и отново проверете нивото му.

За смяна на моторното масло



ПРЕДУПРЕЖДЕНИЕ: Моторното масло е много горещо непосредствено след спирането на двигателя. Оставете двигателя да изстине, преди да източите маслото. Ако разлеее моторно масло върху кожата си, почистете със сапун и вода.

(Фиг. 39)

1. Работете с продукта, докато резервоара за гориво се изпразни.
2. Извадете запалителния кабел от запалителната свещ.
3. Свалете капачката на резервоара за масло.
4. Поставете съд под продукта, в който да се събере моторното масло.
5. Наклонете продукта, за да изтече моторното масло от резервоара за масло.
6. Заредете с ново моторно масло от препоръчания тип в *Технически характеристики на страница 34*.
7. Проверете нивото на моторното масло. Направете справка с *За проверка на нивото на маслото на страница 30*.

За проверка на запалителната свещ



ВНИМАНИЕ: Използвайте винаги запалителните свещи от препоръчания вид. Използването на запалителна свещ от неправилен тип може да повреди продукта.

- Проверете запалителната свещ, ако двигателят е с понижена мощност, стартира трудно или работи неправомерно при обороти на празен ход.
- За да намалите опасността от попадане на нежелани материали върху електродите на запалителната свещ, следвайте тези инструкции:
 - a) Проверете дали оборотите на празния ход са правилно регулирани.
 - b) Уверете се, че горивната смес е правилна.
 - c) Уверете се, че въздушният филтър е чист.
- Ако запалителната свещ е замърсена, почистете я и проверете дали разстоянието между електродите е правилно, направете справка с *Технически характеристики на страница 34*. (Фиг. 40)
- Сменете запалителната свещ, ако е необходимо.

Въздушен филтър

Замърсен въздушен филтър може да доведе до повреда на двигателя или да не работи правилно. Извършвайте техническо обслужване на въздушния филтър по-често в запрашена среда. Направете справка с *Поддръжка на страница 28* за информация относно това кога да сменяте въздушния филтър.

Забележка: Винаги заменяйте повреден въздушен филтър.

За сваляне и монтиране на въздушния филтър



ПРЕДУПРЕЖДЕНИЕ: Използвайте защитни ръкавици.

1. Натиснете щипките на капака на въздушния филтър.
2. Внимателно свалете капака на въздушния филтър (А) от двигателя.
3. Свалете въздушния филтър (В). (Фиг. 41)
4. Проверете въздушния филтър за повреди. Подменете повреден въздушен филтър.
5. Почистете и проверете въздушния филтър. Направете справка с *Почистяване на въздушния филтър на страница 31*.
6. Извършете монтаж в обратната последователност.

Почистване на въздушния филтър

Замърсен въздушен филтър може да доведе до повреда на двигателя или да не работи правилно. При запрашена среда извършвайте по-често техническа поддръжка на въздушния филтър.

Вижте *Поддръжка на страница 28* за информация относно това кога да смените въздушния филтър.

1. Свалете капака на въздушния филтър и свалете филтъра.
2. Почистете филтъра, като го чукнете на плоска повърхност. Не използвайте разтворител на нефтена основа, керосин или въздух под налягане, за да почистите филтъра.

Забележка: Въздушните филтри, които са използвани дълго време, не могат да бъдат почистени напълно. Подменяйте въздушния филтър редовно. Повредените въздушни филтри трябва винаги да се сменят.

3. Когато монтирате въздушния филтър, се уверете, че напълно пасва към държача на филтъра.

За да извършите проверка на страничния разтоварващ дефлектор

Страничният разтоварващ дефлектор е закрепен към отвора за странично разтоварване на продукта. Той намалява опасността от изхвърляне на предмети по посока към косящия оператор.

1. Уверете се, че страничният разтоварващ дефлектор не е повреден.
2. Проверете страничния разтоварващ дефлектор. Уверете се, че не виждате дефекти, като пукнатини или счупени пружини, които избухват вратата да се затвори.
3. Сменете страничния разтоварващ дефлектор или пружините, ако са повредени.

За проверка на горивната система

- Проверете капачката на резервоара за гориво и уплътнението на капачката на резервоара за гориво, за да се уверите, че не са повредени.
- Проверете маркуча за горивото, за да се уверите, че не тече. Ако маркучът за горивото е повреден, той трябва да се смени от сервиз.

За да регулирате кабела на съединителя (LC 151S, LB 251S, LB 256SP)

За следните ситуации е необходимо да намалите дължината на кабела на съединителя:

- Задвижването на колелата не се задейства, когато издърпате дръжката за задвижване или лоста за управление на скоростта.
- Продуктът се движи бавно, когато задвижването на колелата е задействано.

За следните ситуации е необходимо да увеличите дължината на кабела на съединителя:

- Продуктът се движи, когато задвижването на колелата е задействано.
- Регулирайте кабела на съединителя.
 - a) За да намалите дължината на кабела на съединителя, завъртете регулиращия винт обратно на часовниковата стрелка.
 - b) За да увеличите дължината на кабела на съединителя, завъртете регулиращия винт по часовниковата стрелка. (Фиг. 42)

Ако продуктът продължава да се движи незадоволително след регулирането, обърнете се към своя сервизен дистрибутор

Отстраняване на неизправностите по двигателя

Проблем	Възможна причина	Решение
Двигателят не стартира.	Запалителният кабел не е правилно свързан.	Свържете запалителния кабел към запалителната свещ.
	Резервоарът за гориво е празен.	Напълнете резервоара за гориво с правилния тип гориво.
	Горивото е старо.	Източете резервоара за гориво и карбуратора. Презаредете с нов бензин.
	Има замърсяване в карбуратора или в горивопровода.	Почистете карбуратора и/или горивната линия.
	Запалителната свещ е повредена.	Регулирайте разстоянието между електродите, почистете или сменете запалителната свещ.
	Няма гориво по запалителната свещ.	Почистете запалителната свещ.
Двигателят не спира.	Спирателният механизъм е дефектен.	Изключете запалителния кабел от запалителната свещ. Възложете извършването на ремонт на продукта на одобрен сервиз.
Двигателят не работи плавно равномерно.	Запалителният кабел не е правилно свързан.	Свържете запалителния кабел към запалителната свещ.
	В горивната линия има замърсяване или горивото е изтекло.	Почистете горивопровода. Напълнете резервоара за гориво с ново гориво от правилния тип.
	В капачката на резервоара за гориво има запушване.	Почистете капачката на резервоара за гориво.
	Има вода или замърсяване в горивната система.	Източете резервоара за гориво. Напълнете резервоара за гориво с ново гориво от правилния тип.
	Въздушният филтър е замърсен.	Почистете въздушния филтър.
	Карбураторът трябва да бъде регулиран.	Позволете на сервизен търговец да регулира карбуратора.
Двигателят става прекалено горещ.	Нивото на моторното масло е твърде ниско.	Напълнете моторно масло.
	Въздушният поток не е достатъчен.	Почистете въздушния филтър и корпуса на въздушния филтър.
	Карбураторът трябва да бъде регулиран.	Позволете на сервизен търговец да регулира карбуратора.
Има неуспешно запалване в двигателя, когато работи на високи обороти.	Разстоянието между електродите в запалителната свещ е прекалено малко.	Регулирайте разстоянието между електродите.

Проблем	Възможна причина	Решение
Чуват се необичайни звуци от двигателя при нормално натоварване.	Неправилен тип бензин.	Източете резервоара за гориво и карбуратора. Презаредете с нов бензин. Направете справка с <i>За наливане на гориво на страница 26</i> . Ако проблемът продължи, обърнете се към Вашия местен сервизен дистрибутор.
Двигателят не работи правилно равномерно при обороти на празния ход.	Запалителната свещ е замърсена, дефектна или разстоянието между електродите е прекалено голямо.	Регулирайте разстоянието между електродите или сменете запалителната свещ.
	Карбураторът трябва да бъде регулиран.	Регулирайте карбуратора.
	Въздушният филтър е замърсен.	Почистете въздушния филтър.

Транспортиране, съхранение и изхвърляне

Транспорт и съхранение

- При съхранението и транспортирането на продукта и горивото се уверете, че няма течове или изпарения. Искри или открит огън, например от електрически уреди или котли може да възникне пожар.
- Винаги използвайте одобрени контейнери за съхранение и транспортиране на гориво.
- Изпразнете резервоара за гориво, преди да приберете продукта за съхранение за дълъг период от време. Изхвърлете горивото на подходящо за целта място
- Прикрепете продукта по безопасен начин по време на транспортирането, за да се предотвратят повреди и злополуки.
- Съхранявайте продукта под ключ, за да предотвратите достъпа до него на деца или лица, които не са упълномощени да го използват.
- Съхранявайте продукта на сухо и незамръзващо място.

Изхвърляне

- Съблюдавайте местните изисквания за рециклиране и приложимите разпоредби.
- Изхвърлете всички химикали, като например двигателно масло или гориво, в сервизен център или на подходящо за целта място.
- Когато продуктът вече не се използва, изпратете го на Husqvarna дилър или го изхвърлете на място за рециклиране.

Технически характеристики

Технически характеристики

	LC 151	LC 151S	LB 251S	LB 256SP
Двигател				
Марка	Husqvarna	Husqvarna	Husqvarna	Husqvarna
Тип на двигателя	Едноцилиндров, 4-тактов, принудително въздушно охлаждане, OHV	Едноцилиндров, 4-тактов, принудително въздушно охлаждане, OHV	Едноцилиндров, 4-тактов, принудително въздушно охлаждане, OHV	Едноцилиндров, 4-тактов, принудително въздушно охлаждане, OHV
Работен обем, cm ³	166	166	166	166
Скорост, об./мин	2800	2800	2800	2800
Номинална изходна мощност на двигателя, kW ¹⁰	2,7	2,7	2,7	2,7
Запалителна система				
Запалителна свещ	Husqvarna HQT-7	Husqvarna HQT-7	Husqvarna HQT-7	Husqvarna HQT-7
Разстояние между електродите, mm	0,7 – 0,8	0,7 – 0,8	0,7 – 0,8	0,7 – 0,8
Горивна и смазочна система				
Тип смазване на двигателя	Разпръскване	Разпръскване	Разпръскване	Разпръскване
Вместимост на резервоара за гориво, литри	1,0	1,0	1,0	1,0
Вместимост на резервоара за масло, литри	0,5	0,5	0,5	0,5
Моторно масло ¹¹	Husqvarna SAE 30	Husqvarna SAE 30	Husqvarna SAE 30	Husqvarna SAE 30
Тегло				
С празни резервоари, kg	31,1	32,6	32,0	33,1
Шумови емисии¹²				

¹⁰ Номиналната мощност на двигателя е средната нетна мощност (при указаните об/мин) на стандартен двигател за модела двигател, измерен спрямо SAE стандарта J1349/ISO 1585. Двигателите масово производство може да се отклоняват от тази стойност. Действителната изходна мощност за двигателя, инсталиран на крайния продукт, ще зависи от работната скорост, условията на околната среда и други стойности.

¹¹ Ако се използва масло SAE-30 при температури, по-ниски от +5°C, съществува риск двигателят да не бъде смазан достатъчно. Това може да доведе до повреда на двигателя. Направете справка с *Замяна на моторното масло на страница 30* за правилното масло за ниски температури.

¹² Емисии на шума в околната среда, измерени като звукова мощност (L_{WA}) в съответствие с директива на ЕО 2000/14/ЕО.

	LC 151	LC 151S	LB 251S	LB 256SP
Ниво на звуковата мощност, измерено, dB(A)	96	96	95	97
Ниво на звуковата мощност, гарантирана, L _{WA} dB(A)	98	98	96	98
Нива на звука¹³				
Ниво на звуковото налягане при ухото на оператора, dB(A)	86	86	82	86
Нива на вибрациите¹⁴				
Управление на вибрациите, m/s ²	8,5	8,5	4,7	7,5
Режещо оборудване				
Височина на рязане, mm	25 – 75	25 – 75	25 – 75	25 – 75
Ширина на рязане, mm	510	510	510	560
Режеща система	Събиране/Bio-Clip®/странично разтоварване	Събиране/Bio-Clip®/странично разтоварване	BioClip®/странично разтоварване	BioClip®/странично разтоварване
Нож – стандартен	Събиране 598562601	Събиране 598562601	Мулчиране 597683901	Мулчиране 598563601
Нож – приставка	Мулчиране 597683901	Мулчиране 597683901	–	–
Капацитет на коша за трева, литър	65	65	–	–
Задвижване				
Обороти за самостоятелно задвижване, км/ч	–	3,6	4,0	3,6

¹³ Отчетените данни за нивото на звуковото налягане имат типична статистическа дисперсия (стандартно отклонение) от 1,2 dB (A).

¹⁴ Отчетените данни за равнището на вибрации имат типична статистическа дисперсия (стандартно отклонение) от 0,2 m/s².

Декларация за съответствие на ЕО

Декларация за съответствие на ЕО

Husqvarna AB, SE-561 82 Huskvarna, Швеция, тел.: +46-36-146500, удостоверява, че **косачката Husqvarna LC 151, LC 151S, LB 251S, LB 256SP** от година 2020 и след това отговаря на изискванията на ДИРЕКТИВАТА НА СЪВЕТА:

- от 8 юни 2011 г. относно "ограничения за използване на определени опасни вещества" **2011/65/EC**
- от 17 май 2006 г., „свързана с машини“ **2006/42/EO**
- от 26 февруари 2014 г., "свързани с електромагнетичната съвместимост" **2014/30/EC**
- от 8 май 2000 г., "свързани с шумовите емисии в околната среда" **2000/14/EO**

За информация относно емисиите на шум, вж. "Технически данни".

Приложени са следните стандарти:

EN ISO 5395-1:2013, EN ISO 5395-1:2013/A1, EN ISO 5395-2:2013, EN ISO 5395-2:2013/A1:2016, EN ISO 5395-2:2013/A2:2017, EN ISO 14982:2009

Ако не е указано друго, посочените по-горе стандарти са последните публикувани версии.

Нотифициран орган (LC 151, LC 151S, LB 256SP): **0036, TÜV SÜD Industrie Service GmbH, Westendstrasse 199, 80686 München, Germany** е извършил оценка на съответствието съгласно Приложение VI на директива 2000/14/EO.

Нотифициран орган (LB 251S): **0404, RISE SMP Svensk Maskinprovning AB, Box 7035, SE-750 07 Uppsala, Sweden** е извършил оценка на съответствието съгласно Приложение VI на директива 2000/14/EO.

Huskvarna, 2020-10-20



Claes Losdal, Мениджър "Разработки и Развитие"/"Градински продукти" (Упълномощен представител за Husqvarna AB и отговорно лице за техническата документация)

Obsah

Úvod.....	37	Odstaňování problémů s motorem.....	46
Bezpečnost.....	38	Přepřava, skladování a likvidace.....	47
Montáž.....	41	Technické údaje.....	48
Provoz.....	41	ES Prohlášení o shodě.....	50
Údržba.....	43		

Úvod

Popis výrobku

Výrobek je rotační sekačka na trávu s pěší obsluhou. Pro modely LC 151, LC 151S připevněte koš na trávu, chcete-li sbírat trávu. Namontujte deflektor pro boční vyhazování k provádění bočního vyhazování trávy. Pro modely LC 151, LC 151S připevněte mulčovací sadu, chcete-li používat posečenou trávu jako hnojivo.

Popis výrobku

(Obr. 1)

1. Řídící rukojeť
2. Páka brzdy motoru
3. Páka pojezdu (LC 151S, LB 256SP)
4. Páčka pojezdu (LB 251S)
5. Zadní kryt (LC 151, LC 151S)
6. Koš na trávu (LC 151, LC 151S)
7. Knoflíky výšky rukojeti
8. Páka pro nastavení výšky sečení
9. Víčko olejové nádrže a olejová měřka
10. Kryt bočního vyhazování
11. Tlumič výfuku
12. Zapalovací svíčka
13. Karburátor
14. Víčko palivové nádrže
15. Symboly
16. Kryt žacího ústrojí
17. Vzduchový filtr
18. Boční deflektor
19. Mulčovací sada (příslušenství pro model LC 151, LC 151S)
20. Rukojeť startéru
21. Návod k používání

Symboly na výrobku

- (Obr. 2) VAROVÁNÍ! Budte opatrní a výrobek používejte správně. Tento výrobek může způsobit obsluze a dalším osobám vážné zranění.

Zamýšlené použití

Výrobek použijte k sečení trávy. K jiným činnostem výrobek nepoužívejte.

- (Obr. 3) Před použitím si pozorně prostudujte tento návod k používání a nepoužívejte výrobek, pokud návodu zcela nerozumíte.
- (Obr. 4) Pozor na odvržené a odražené předměty.
- (Obr. 5) Zajistěte, aby se v pracovní oblasti a jejím okolí nezdřžovaly nepovolané osoby či zvířata.
- (Obr. 6) Varování: Ruce a nohy udržujte mimo dosah rotujícího nože.
- (Obr. 7) Varování: Ruce a nohy udržujte mimo dosah rotujících částí.
- (Obr. 8) Před prováděním oprav a údržby vypněte motor a odpojte kabel zapalování.
- (Obr. 9) Tento výrobek vyhovuje platným směrnici EU.
- (Obr. 10) Emise hluku do okolí dle direktivy Evropského společenství. Emise produktu jsou uvedeny v kapitole Technické údaje a na štítku.
- (Obr. 11) Nebezpečí požáru.
- (Obr. 12) Nevdechujte výfukové plyny. Výfukové plyny obsahují oxid uhelnatý, jedovatý a velmi nebezpečný plyn bez zápachu. Nenechávejte motor spuštěný ve vnitřních nebo uzavřených prostorech.
- (Obr. 13) Horký povrch.

(Obr. 14) Před nastartováním výrobku doplňte do motoru olej.

Povšimněte si: Další symboly/štítky na produktu se týkají certifikačních požadavků pro některé komerční oblasti.

Odpovědnost za výrobek

Jak uvádí zákon o odpovědnosti za výrobek, neneseme odpovědnost za žádnou škodu způsobenou našim výrobkem, pokud:

- byl výrobek nesprávně opraven.

- byl výrobek opraven pomocí součástí od jiného výrobce nebo součástí, které nejsou výrobcem schváleny.
- má výrobek příslušenství od jiného výrobce nebo příslušenství, které není výrobcem schváleno.
- výrobek nebyl opraven ve schváleném servisním středisku nebo schváleným odborníkem.

Emise Euro V



VÝSTRAHA: Manipulace s motorem vede k zneplatnění typového schválení EU tohoto výrobku.

Bezpečnost

Definice týkající se bezpečnosti

Varování, upozornění a poznámky slouží jako upozornění na specifické důležité části návodu.



VÝSTRAHA: Používá se v případě nebezpečí úrazu nebo usmrcení obsluhy nebo okolních osob, pokud nejsou dodrženy pokyny uvedené v této příručce.



VAROVÁNÍ: Používá se v případě nebezpečí poškození výrobku, dalších materiálů či škod na majetku v blízkém okolí, pokud nejsou dodrženy pokyny uvedené v této příručce.

Povšimněte si: Používá se k poskytnutí dalších informací, které jsou nezbytné v dané situaci.

Obecné bezpečnostní pokyny



VÝSTRAHA: Před použitím výrobku si přečtěte následující varování.

- Tento výrobek je nebezpečný, nepoužívá-li se správně nebo není-li věnována provozu řádná pozornost. Nedodržení bezpečnostních pokynů může vést ke zranění nebo usmrcení.
- Tento výrobek vytváří během provozu elektromagnetické pole. Toto pole může za určitých okolností narušovat funkci aktivních či pasivních implantovaných lékařských přístrojů. Za účelem snížení rizika možného zranění nebo smrtelného úrazu doporučujeme osobám s implantovanými lékařskými přístroji poradit se před použitím výrobku s lékařem a s výrobcem implantovaného lékařského přístroje.
- Buďte stále opatrní a používejte zdravý rozum. Nejste-li si jisti, jak ovládat výrobek ve zvláštních

situacích, vypněte jej a promluvte si s prodejcem Husqvarna, než budete pokračovat v práci.

- Mějte na paměti, že obsluha je odpovědná za nehody a škody vzniklé jiným osobám nebo na jejich majetku.
- Udržujte výrobek čistý. Ujistěte se, že jsou značka a štítky dobře čitelné.
- Nedovolte osobám používat výrobek, nejste-li si jisti, že si přečetly návod k používání a porozuměly jeho obsahu.
- Zamezte používání výrobku dětem.
- Udržujte děti mimo pracovní oblast. Vždy musí být přítomna zodpovědná dospělá osoba.
- Zamezte používání výrobku osobami, které naznají pokyny.
- Vždy sledujte osoby s fyzickým nebo mentálním postižením při práci s výrobkem. Vždy musí být přítomna zodpovědná dospělá osoba.
- Nepoužívejte výrobek, jste-li unavení, nemocní nebo pod vlivem alkoholu, drog nebo léků. To by mohlo ovlivnit váš zrak, ostražitost, koordinaci a úsudek.
- Nepoužívejte výrobek, pokud je vadný.
- Nikdy neupravujte výrobek a nepoužívejte jej, pokud je možné, že jej upravil někdo jiný.
- Neměňte nastavení regulace otáček motoru.

Bezpečnost pracovního prostoru



VÝSTRAHA: Před použitím výrobku si přečtěte následující varování.

- Před použitím výrobku, odklíďte z pracovní oblasti předměty, jako jsou větve, větvičky a kameny.
- Předměty, které mohou být zachyceny žacími ústrojími mohou být odmrštěny a způsobit zranění osob a poškození předmětů. Udržujte osoby v okolí a zvířata v bezpečné vzdálenosti od výrobku.
- Nikdy nepoužívejte výrobek za špatného počasí, jako je mlha, déšť, silný vítr, intenzivní chlad a nebezpečí blesku. Použití výrobku za špatného

počasí nebo ve vlhkých či mokřích podmínkách je namáhavé. Nepříznivé počasí může vytvořit nebezpečné podmínky, např. kluzký povrch.

- Dávejte pozor na osoby, předměty a situace, které mohou bránit bezpečnému provozu výrobku.
- Dávejte pozor na překážky, jako jsou kořeny, kameny, větve, díry a příkopy. Vysoká tráva může překážky skrýt.
- Sečení trávy na svazích může být nebezpečné. Nepoužívejte výrobek na svahu se sklonem větším než 15°.
- S výrobkem jezdíte po vrstevnicích. Nepohybujte se na svahu nahoru a dolů.
- Postupujte opatrně v blízkosti skrytých rohů a objektů, které mohou bránit ve výhledu.

Bezpečnost práce



VÝSTRAHA: Před použitím výrobku si přečtěte následující varování.

- Tento výrobek používejte výhradně k sečení trávy. Není dovoleno používat výrobek k jiným činnostem.
- Používejte osobní ochranné prostředky. Další informace naleznete v části *Osobní ochranné prostředky na strani 39*.
- Ujistěte se, že víte, jak v případě nouze rychle zastavit motor.
- Nikdy nespustíte motor v uzavřených prostorech nebo v blízkosti hořlavého materiálu. Výfukové plyny z motoru jsou horké a mohou obsahovat jiskry, které by mohly zažehnout požár.
- Neprovazujte výrobek, pokud není správně namontovaný nůž a všechny kryty. V opačném případě by se mohl nůž uvolnit a způsobit zranění osob.
- Zajistěte, aby nůž nenarazil do předmětů, jako jsou kameny a kořeny. Mohlo by dojít k poškození nože a ohnutí hřídele motoru. Ohnutý hřídel způsobuje velké vibrace a hrozí velmi vysoké riziko uvolnění nože.
- Pokud nůž narazí do nějakého předmětu nebo se objeví vibrace, okamžitě zastavte výrobek. Odpojte kabel zapalování od zapalovací svíčky. Zkontrolujte, zda není výrobek poškozený. Opravte poškozené díly nebo svěťte opravu schválenému servisnímu pracovníkovi.
- Po nastartování motoru nikdy nepřipevňujte páku brzdy motoru trvale k rukojeti sekačky.
- Umístěte výrobek na stabilní, rovný povrch a nastartujte jej. Zkontrolujte, zda nůž nemůže přijít do kontaktu se zemí nebo cizími objekty.
- Při provozu vždy stůjte za výrobkem.
- Při provozu nechte všechna kola spočívat na zemi a držte rukojeť oběma rukama. Ruce a nohy udržujte mimo dosah rotujících nožů.
- Nenaklánějte výrobek, když je spuštěný motor.
- Dávejte pozor při tažení výrobku dozadu.

- Nikdy nezvedejte výrobek, když je spuštěný motor. Pokud musíte výrobek zvednout, nejprve vypněte motor a odpojte kabel zapalování od zapalovací svíčky.
- Při provozování výrobku nechoďte směrem dozadu.
- Před přejezdem ploch bez trávy, jako jsou cesty vytvořené ze šterku, kamenů nebo asfaltu, vypněte motor.
- Neběhejte s výrobkem, když je spuštěný motor. Při provozu výrobku vždy pouze choďte.
- Před změnou výšky sečení vypněte motor. Nikdy neprovádějte seřizování při spuštěném motoru.
- Nikdy nenechte výrobek se spuštěným motorem bez dozoru. Vypněte motor a ujistěte se, že se žací ústrojí neotáčí.

Bezpečnostní pokyny pro provoz

Osobní ochranné prostředky



VÝSTRAHA: Před použitím výrobku si přečtěte následující varování.

- Osobní ochranné prostředky nemohou zcela eliminovat nebezpečí úrazu, ale v případě nehody pomáhají snížit míru poranění. Požádejte prodejce, aby vám pomohl vybrat správné vybavení.
- Používejte ochranu sluchu, pokud je hladina hluku vyšší než 85 dB.
- Používejte odolnou obuv s protiskluzovou podrážkou. Nepoužívejte otevřenou obuv ani neppracujte naboso.
- Používejte silné, dlouhé kalhoty.
- Při určitých činnostech používejte ochranné rukavice, například při nasazování, prohlídce nebo čištění žacího ústrojí.

Bezpečnostní zařízení na produktu



VÝSTRAHA: Před použitím výrobku si přečtěte následující varování.

- Nepoužívejte výrobek, jehož bezpečnostní zařízení jsou vadná!
- Pravidelně kontrolujte bezpečnostní zařízení. Pokud je zařízení vadné, obraťte se na servis Husqvarna.

Kontrola krytu žacího ústrojí

Kryt žacího ústrojí snižuje vibrace výrobku a snižuje nebezpečí poranění nožem.

- Zkontrolujte kryt žacího ústrojí, aby bylo zajištěno, že nevykazuje známky poškození, např. praskliny.

Kontrola rukojeti brzdy motoru

Páka brzdy motoru slouží k zastavení motoru. Když uvolníte páku brzdy motoru, motor se zastaví.

- Nastartujte motor a poté uvolněte rukojeť brzdy motoru. Pokud se motor nevypne během 3 sekund, požádejte schváleného servisního pracovníka Husqvarna o seřízení brzdy motoru. (Obr. 15)

Kontrola zadního krytu

Zadní deflektor snižuje riziko vylétávání předmětů směrem k obsluze.

- Zkontrolujte, zda není zadní kryt poškozený.
- Zkontrolujte, zda nejsou pružiny, které zavírají zadní kryt, poškozené.
- Vyměňte poškozené pružiny a další poškozené díly.
- Zkontrolujte, zda se zadní kryt může plynule pohybovat na závěsech.

Tlumič výfuku

Tlumič výfuku je určen k omezení úrovně hluku na minimum a k usměrnění výfukových plynů směrem od obsluhy.

Nepoužívejte výrobek bez tlumiče výfuku nebo pokud je vadný. Vadný tlumič výfuku zvyšuje hladinu hluku a nebezpečí požáru.



VÝSTRAHA: Tlumič výfuku je během provozu a po použití velmi horký, i když motor pracuje na volnoběžné otáčky. Aby se zabránilo požáru, dbejte zvýšené opatrnosti v blízkosti hořlavých materiálů a plynů.

Kontrola tlumiče výfuku

- Pravidelně kontrolujte tlumič výfuku, aby bylo zajištěno, že je řádně upevněný a že není poškozený.

Bezpečnost při manipulaci s palivem



VÝSTRAHA: Před použitím výrobku si přečtěte následující varování.

- Pokud je na výrobku palivo nebo olej, nespouštějte ho. Nechtěné palivo/olej z výrobku odstraňte a nechte výrobek uschnout.
- Pokud si palivem polijete oblečení, okamžitě se převlékněte.
- Zabraňte styku paliva s tělem, může způsobit zranění. Pokud se polijete palivem, omyjte zasažené místo vodou a mýdlem.
- Nepouštějte motor, pokud z něj něco uniká. Pravidelně kontrolujte, jestli z motoru nic neuniká.
- Při manipulaci s palivem buďte opatrní. Palivo je hořlavé a výpary jsou výbušné a mohou způsobit zranění nebo smrt.

- Nevdechujte palivové výpary, mohou způsobit zranění. Zajistěte dostatečný průtok vzduchu.
- V blízkosti paliva ani motoru nekuřte.
- Do blízkosti paliva ani motoru neumísťujte horké předměty.
- Když je spuštěný motor, nedoplňujte palivo.
- Než začnete doplňovat palivo, přesvědčte se, že je motor studený.
- Než doplníte palivo, pomalu otevřete uzávěr palivové nádrže a opatrně uvolněte tlak.
- Palivo do motoru nedoplňujte ve vnitřních prostorech. Nedostatečné proudění vzduchu může způsobit zranění nebo smrt udušením nebo otravou kyslíčnickem uhelnatým.
- Pevně dotáhněte víčko palivové nádrže. Není-li víčko palivové nádrže dotažené, hrozí nebezpečí požáru.
- Než výrobek spustíte, přejděte s ním minimálně 3 m (10 stop) od místa, kde jste doplňovali palivo.
- Nenaplňujte palivovou nádrž na maximum. Teplem dochází k rozpinání paliva. V horní části palivové nádrže udržujte volný prostor.

Bezpečnostní pokyny pro údržbu



VÝSTRAHA: Před použitím výrobku si přečtěte následující varování.

- Výfukové plyny obsahují oxid uhelnatý, jedovatý a velmi nebezpečný plyn bez zápachu. Nenechávejte motor spuštěný ve vnitřních nebo uzavřených prostorech.
- Před prováděním údržby výrobku nejprve vypněte motor a odpojte kabel zapalování od zapalovací svíčky.
- Při provádění údržby žacího ústrojí používejte ochranné rukavice. Nůž je velmi ostrý a může snadno dojít k pořezání.
- Příslušenství a změny výrobku, které neschválí výrobce, mohou způsobit vážné zranění nebo úmrtí. Neprovádějte změny na výrobku. Vždy používejte výhradně příslušenství schválené výrobcem.
- Při nesprávném nebo nepravdělném provádění údržby se zvyšuje nebezpečí poranění a poškození výrobku.
- Provádějte pouze údržbu uvedenou v tomto návodu k používání. Veškerý ostatní servis musí provést schválený servisní pracovník Husqvarna.
- Servis výrobku by měl provádět schválený servisní pracovník Husqvarna v pravidelných intervalech.
- Poškozené, opotřebené či prasklé součásti vyměňte.

Montáž

Úvod



VÝSTRAHA: Před montáží výrobku je třeba, abyste si přečetli a porozuměli kapitole o bezpečnosti.



VÝSTRAHA: Před montáží výrobku sejměte koncovku kabelu zapalovací svíčky ze zapalovací svíčky.

Montáž řídítek

1. Prostrčte šroub (A) rukojetí (B), plastovou podložkou (C) a podpurným držákem rukojetí (D). (Obr. 16)
2. Zcela utáhněte matici (E).
3. Prostrčte šroub (F) podložkou (G) a podpurným držákem rukojetí. (Obr. 17)
4. Zcela dotáhněte knoflík (H).

Nastavení rukojeti

1. Povolte spodní matici.
2. Posuňte knoflíky na spodní konec drážek na pravé i na levé straně výrobku. (Obr. 18)
3. Nastavte výšku rukojeti do jedné ze 2 dostupných poloh.

4. Posuňte knoflíky směrem k rukojeti, dokud se nezastaví a neuslyšíte cvaknutí. (Obr. 19)
5. Knoflíky řádně utáhněte.

Nastavení produktu do přepravní polohy

1. Povolte spodní matici.
2. Posuňte knoflíky na spodní konec drážek na pravé i na levé straně výrobku. (Obr. 18)
3. Sklopte rukojeť dopředu. (Obr. 20)

Nastavení výrobku do provozní polohy

1. Sklopte rukojeť do vzpřímené polohy. (Obr. 21)
2. Posuňte knoflíky směrem k rukojeti, dokud se nezastaví a neuslyšíte cvaknutí. (Obr. 19)
3. Knoflíky řádně utáhněte.

Montáž koše na trávu (LC 151, LC 151S)

1. Vložte rám do koše na trávu tak, aby pevná část koše směřovala dolů. Rukojeť rámu musí zůstat na vnější horní části koše. (Obr. 22)
2. Upevněte koš na trávu k rámu pomocí svorek. (Obr. 23)

Provoz

Úvod



VÝSTRAHA: Před používáním produktu je třeba, abyste si přečetli a porozuměli kapitole o bezpečnosti.

Husqvarna Connect

Husqvarna Connect je bezplatná aplikace pro mobilní zařízení. Aplikace Husqvarna Connect dodá vašemu výrobku Husqvarna doplňkové funkce:

- Rozšířené informace o výrobku.
- Informace o dílech a servisu a nápověda pro tyto položky.

Jak začít používat aplikaci Husqvarna Connect

1. Stáhněte si aplikaci Husqvarna Connect do svého mobilního zařízení.
2. V aplikaci Husqvarna Connect se zaregistrujte.
3. Při připojování a registraci výrobku postupujte podle pokynů v aplikaci Husqvarna Connect.

Před použitím výrobku

1. Pozorně si prostudujte tento návod k používání a nepoužívejte výrobek, pokud návodu zcela nerozumíte.
2. Zkontrolujte žací ústrojí, aby bylo zajištěno, že je řádně připevněné a nastavené. Viz *Kontrola žacího ústrojí na strani 44*.
3. Napiňte palivovou nádrž. Viz *Doplňování paliva na strani 41*.
4. Doplňte olej do olejové nádrže a zkontrolujte hladinu oleje. Viz *Kontrola hladiny oleje na strani 45*.

Doplňování paliva

Pokud možno používejte alkylátový benzin s nízkými emisemi. Není-li k dostání alkylátový benzin s nízkými emisemi, používejte kvalitní bezolovnatý benzin nebo olovnatý benzin s oktanovým číslem nejméně 90.



VAROVÁNÍ: Nepoužívejte benzin s oktanovým číslem nižším než 90 RON (87 AKI). Můžete tím výrobek poškodit.

1. Víčko palivové nádrže otevírejte pomalu, aby se uvolnil tlak.

2. Palivo doplňte pomalu z kanystru. Dojde-li k rozlíti paliva, odstraňte jej utěrkou a zbývající palivo nechte vypařit. (Obr. 24)
3. Očistěte plochu kolem víčka palivové nádrže.
4. Pevně dotáhněte víčko palivové nádrže. Není-li víčko palivové nádrže dotažené, hrozí nebezpečí požáru.
5. Než výrobek spustíte, přejděte s ním minimálně 3 m (10 stop) od místa, kde jste doplňovali palivo.

Nastavení výšky sečení

1. Chcete-li zvýšit výšku sečení, posuňte páku pro nastavení výšky sečení dozadu.
2. Posunem páky pro nastavení výšky sečení dopředu výšku sečení snížíte. (Obr. 25)



VAROVÁNÍ: Nenastavujte výšku sečení příliš nízko. V případě, že není povrch trávníku rovný, mohou nože přijít do styku se zemí.

Spuštění výrobku

1. Zkontrolujte, zda je kabel zapalování připojený k zapalovací svíčce.
2. Postavte se za výrobek.
3. Držte páku motorové brzdy přitisknutou k rukojeti sekačky. (Obr. 26)
4. Uchopte rukojeť startovací šňůry pravou rukou.
5. Pomalu vytáhněte startovací šňůru, dokud neucítíte odpor.
6. Nastartuje motor silným zatáhnutím za šňůru.



VÝSTRAHA: Nikdy si neomotávejte startovací šňůru kolem ruky.

Použití pohonu kol LC 151S & LB 256SP

- Zatlačte páku pojezdu směrem k rukojeti. (Obr. 27)
- V blízkosti překážek uvolněte páku pojezdu, aby se deaktivoval pohon.
- Pokud chcete táhnout výrobek dozadu, odpojte pohon a zatlačte výrobek dopředu přibližně 10 cm.

Použití pohonu kol (LB 251S)

- Přitáhněte páčku pojezdu směrem k říditkům. (Obr. 28)
- Uvolněním páčky pojezdu od říditek deaktivujete pohon, např. v blízkosti překážek.

Povšimněte si: Při uvolnění rukojeti brzdy motoru se páčka pojezdu automaticky uvolní.

- Pokud chcete táhnout výrobek dozadu, uvolněte páčku pojezdu od říditek a zatlačením výrobku dopředu přibližně 10 cm zcela uvolněte pohon.

Zastavení výrobku

- Chcete-li zastavit pojezd, uvolněte páku (LC 151S, LB 256SP) nebo páčku pojezdu (LB 251S).
- Motor zastavíte uvolněním páky brzdy motoru.

Používání výrobku s košem na trávu (LC 151, LC 151S)



VÝSTRAHA: Nepoužívejte výrobek bez instalovaného koše na trávu nebo s otevřeným zadním krytem. Vyletující předměty mohou zranit obsluhu.

1. Zdvihněte zadní kryt a vyjměte mulčovací vložku, je-li instalovaná. (Obr. 29)
2. Sestavte koš na trávu podle části *Montáž koše na trávu (LC 151, LC 151S) na strani 41*.
3. Vložte koš na trávu do držáku.
4. Uvolněte zadní kryt a položte ho na horní stranu rámu koše na trávu. (Obr. 30)

Přestavba výrobku na režim mulčování (LC 151, LC 151S)

Než začnete s přestavbou výrobku na režim mulčování, zkontrolujte, zda je motor vypnutý.

1. Zdvihněte zadní kryt a demontujte koš na trávu, je-li instalovaný.
2. Vložte do kanálu výhozu trávy mulčovací vložku. (Obr. 31)
3. Zavřete zadní kryt a zkontrolujte, zda je pevně zavřený a těsně přiléhá k mulčovací vložce.
4. Nahradte nůž mulčovacím nožem dodaným s mulčovací sadou. Další informace naleznete v části *Postup výměny nože na strani 44*.

Přestavba výrobku na režim bočního vyhazování

1. Zdvihněte zadní kryt a demontujte koš na trávu, je-li instalovaný.
2. Zavřete zadní kryt a zkontrolujte, zda je pevně zavřený a těsně přiléhá k výrobku.
3. Zvedněte pojistku vyhazování. (Obr. 32)
4. Otevřete kryt bočního vyhazování a namontujte deflektor bočního vyhazování na podpůrné čepy. (Obr. 33)
5. Zavřete kryt bočního vyhazování tak, aby spočíval na deflektoru bočního vyhazování. Zkontrolujte, zda je deflektor pro boční vyhazování důkladně upevněný, než budete výrobek používat.

Vyprázdnění koše na trávu



VAROVÁNÍ: Při přesouvání koš na trávu zvedněte, aby se zabránilo jeho opotřebení.

1. Zdvihněte koš na trávu pomocí rukojeti na rámu.
2. Při vyprázdnění koše na trávu použijte rukojeť na rámu a rukojeť na koši. (Obr. 34)

Jak docílit dobrých výsledků

- Používejte vždy ostrý nůž. Při použití tupého nože je stříh nepravidelný a posečený povrch trávy žlutne. Ostrý nůž také vyžaduje méně energie než tupý nůž.

- Nesekejte více než 1/3 výšky trávy. Při prvním sekání trávy použijte nejvyšší výšku sekání. Zkontrolujte výsledek a případně snižte výšku sečení na požadovanou úroveň. Pokud je tráva velmi vysoká, sekejte pomalu a v případě potřeby 2krát.
- Sekejte vždy v jiném směru, aby na trávníku nevznikly pruhy.
- Zvedněte zadní kryt a vyjměte koš na trávu.
- Pokud je namontována mulčovací vložka a mulčovací nůž, odstraňte je.
- Než začnete s výrobkem pracovat, zavřete zadní kryt. Při práci s výrobkem bude posečená tráva vylétávat pod zadním krytem.

Údržba

Úvod



VÝSTRAHA: Před prováděním údržby je třeba, abyste si přečetli a porozuměli kapitole o bezpečnosti.

Pro servis a opravy výrobku je nezbytné speciální školení. Garantujeme dostupnost profesionálních oprav a servisu. Pokud neposkytuje prodejce servisní služby, požádejte jej o informace o nejbližším servisu.

Plán údržby



VAROVÁNÍ: Když nakláníte výrobek, ujistěte se, že vzduchový filtr je na horní straně a ne vespod. Hrozí poškození motoru.

Intervaly údržby se vypočítávají na základě každodenního používání výrobku. Intervaly se mění, není-li výrobek používán denně.

U údržby označené symbolem * vyhledejte pokyny v části *Bezpečnostní zařízení na produktu na strani 39*.

Údržba	Denně	Měsíčně	Každou sezónu
Proveďte běžnou kontrolu.	X		
Zkontrolujte hladinu oleje.	X		
Vyměňte olej (poprvé po 5 h používání, poté po každých 50 h používání). ¹⁵			X
Vyčistěte výrobek.	X		
Zkontrolujte žací ústrojí.	X		
Zkontrolujte kryt žacího ústrojí.*	X		
Zkontrolujte páku brzdy motoru.*	X		
Zkontrolujte tlumič výfuku.*		X	
Zkontrolujte zapalovací svíčku. V případě potřeby zapalovací svíčku očistěte nebo vyměňte.			X
Zkontrolujte vzduchový filtr.	X		

¹⁵ Pokud je výrobek provozován s vysokým zatížením nebo při vysokých okolních teplotách, vyměňujte motorový olej každých 25 hodin.

Údržba	Denně	Měsíčně	Každou se- zónu
Vyčistěte vzduchový filtr. ¹⁶		X	
Vyměňte vzduchový filtr.			X
Zkontrolujte palivový systém.			X
Vyčistěte chladicí žebra válce.		X	
Zkontrolujte a seřídte lanko spojky (LC 151S, LB 251S, LB 256SP).			X
Vyčistěte povrch pod krytem převodovky (LB 251S).			X

Provedení běžné kontroly

- Zajistěte, aby byly všechny matice a šrouby na výrobku správně dotažené.

Čištění výrobku zvnějšku

- Pomocí kartáče odstraňte listí, trávu a nečistoty.
- Zkontrolujte, zda není přívod vzduchu v horní části motoru ucpaný.
- K čištění produktu nepoužívejte vodu pod vysokým tlakem.
- Pokud používáte vodu k čištění motoru, nestříkejte ji přímo na motor.

Čištění vnitřního povrchu krytu žacího ústrojí

- Vyprázdněte palivovou nádrž.
- Nakloňte výrobek. Zkontrolujte, zda zapalovací svíčka směřuje vzhůru.



VAROVÁNÍ: Pokud byste položili výrobek se vzduchovým filtrem dole, mohl by se poškodit motor.

- Opláchněte vodu z hadice vnitřní povrch krytu žacího ústrojí.

Čištění povrchu pod krytem převodovky (LB 251S)

- Vyprázdněte palivovou nádrž.
- Nakloňte výrobek. Zkontrolujte, zda zapalovací svíčka směřuje vzhůru.



VAROVÁNÍ: Pokud byste položili výrobek vzduchovým filtrem dolů, mohl by se poškodit motor.

- Vyšroubujte 7 šroubů. (Obr. 35)
- Demontujte kryt převodovky.
- Očistěte povrch kartáčem.



VAROVÁNÍ: Voda nebo nečistoty pod krytem převodovky mohou způsobit poškození převodovky.

- Namontujte kryt převodovky pomocí 7 šroubů.

Kontrola žacího ústrojí



VÝSTRAHA: Aby se zabránilo náhodnému spuštění, odpojte kabel zapalování od zapalovací svíčky.



VÝSTRAHA: Při provádění údržby žacího ústrojí použijte ochranné rukavice. Nůž je velmi ostrý a může snadno dojít k pořezání.

- Zkontrolujte žací ústrojí ohledně poškození a prasklin. Poškozené žací ústrojí vždy vyměňte.
- Prohlédněte nůž a zkontrolujte, zda není poškozený nebo tupý.

Povšimněte si: Po ostření je nezbytné nůž vyvážit. Výměnu, ostření a vyvážení nože světe servisnímu středisku. Dojde-li k nárazu do překážky, po kterém dochází k vypínání výrobku, vyměňte poškozený nůž. O tom, zda je možné nůž nabrousit či zda je nutné ho vyměnit, rozhodne servisní středisko.

Postup výměny nože

- Zajistěte nůž pomocí dřevěného špalíku. (Obr. 36)
- Demontujte šroub nože.
- Odmontujte nůž.
- Prohlédněte držák nože a šroub nože a zkontrolujte, zda nejsou poškozené.
- Prohlédněte hřídel motoru a ujistěte se, zda není ohnutý.
- Při montáži nového nože nasměrujte zahnuté konce nože ve směru krytu žacího ústrojí. (Obr. 37)
- Zkontrolujte, zda je nůž zarovnaný se středem hřídele motoru.

¹⁶ V prašných podmínkách nebo při výskytu nečistot přenášených vzduchem provádějte čištění častěji. Pokud je vzduchový filtr silně znečištěný, vyměňte jej.

- Zajistěte nůž pomocí dřevěného špalíku. Nasaďte pružnou podložku a utáhněte šroub a podložku utahovacím momentem 43 – 47 Nm. (Obr. 38)
- Otočte nožem rukou a zkontrolujte, zda se volně otáčí.



VÝSTRAHA: Používejte odolné rukavice. Nůž je velmi ostrý a může snadno dojít k pořežání.

- Nastartujte výrobek a proveďte test nože. Pokud není nůž správně připevněn, výrobek vibruje a výsledky sečení nejsou uspokojivé.

Kontrola hladiny oleje



VAROVÁNÍ: Příliš nízká hladina oleje může způsobit poškození motoru. Před spuštěním výrobku zkontrolujte hladinu oleje.

- Umístěte výrobek na rovnou plochu.
- Sejměte víčko olejové nádrže s olejovou měrkou.
- Seťřete olej z olejové měrky.
- Zasaňte olejovou měrku do olejové nádrže, abyste mohli zkontrolovat hladinu oleje.
- Vyjměte olejovou měrku.
- Zkontrolujte hladinu oleje na olejové měrce.
- Pokud je hladina nízká, doplňte motorový olej a znovu zkontrolujte hladinu oleje.

Výměna motorového oleje



VÝSTRAHA: Motorový olej je bezprostředně po vypnutí motoru velmi horký. Před vypuštěním nechte motorový olej vychladnout. Pokud si potřísníte pokožku motorovým olejem, omyjte ji mýdlem a vodou.

(Obr. 39)

- Nechte výrobek běžet, dokud nebude palivová nádrž prázdná.
- Odmontujte kabel zapalování od zapalovací svíčky.
- Sejměte víčko olejové nádrže.
- Umístěte nádobu pod výrobek tak, aby do něj mohl vytéct motorový olej.
- Nakloňte výrobek, aby se vypustil olej z olejové nádrže.
- Doplňte nový motorový olej typu doporučeného v části *Technické údaje na strani 48*.
- Zkontrolujte hladinu oleje. Další informace jsou uvedeny v části *Kontrola hladiny oleje na strani 45*.

Kontrola zapalovací svíčky



VAROVÁNÍ: Vždy používejte doporučený typ zapalovacích svíček. Nesprávný typ zapalovací svíčky může způsobit poškození výrobku.

- Zkontrolujte zapalovací svíčku, pokud má motor malý výkon, špatně startuje nebo nefunguje správně ve volnoběžných otáčkách.
- Aby se snížilo nebezpečí přítomnosti nechtěných materiálů na elektrodách zapalovací svíčky, dodržujte tyto pokyny:
 - Zkontrolujte, zda jsou správně nastaveny volnoběžné otáčky.
 - Zkontrolujte správnost palivové směsi.
 - Zkontrolujte, zda je vzduchový filtr čistý.
- Jestliže je zapalovací svíčka znečištěná, vyčistěte ji a zkontrolujte, zda je vzdálenost elektrod zapalovací svíčky správná, viz část *Technické údaje na strani 48*. (Obr. 40)
- V případě potřeby zapalovací svíčku vyměňte.

Vzduchový filtr

Znečištěný vzduchový filtr může vést k poškození motoru nebo k jeho nesprávnému fungování. V prašných podmínkách provádějte údržbu vzduchového filtru častěji. Podrobnosti ohledně toho, kdy vyměnit vzduchový filtr, jsou uvedeny v části *Údržba na strani 43*.

Povšimněte si: Poškozený vzduchový filtr vždy vyměňte.

Demontáž a montáž vzduchového filtru



VÝSTRAHA: Používejte ochranné rukavice.

- Stiskněte spony na krytu vzduchového filtru.
- Opatrně sejměte kryt vzduchového filtru (A) z motoru.
- Demontujte vzduchový filtr (B). (Obr. 41)
- Zkontrolujte, jestli není vzduchový filtr poškozený. Poškozený vzduchový filtr vyměňte.
- Vyčistěte a prohlédněte vzduchový filtr. Další informace jsou uvedeny v části *Čištění vzduchového filtru na strani 45*.
- Montáž proveďte v opačném pořadí.

Čištění vzduchového filtru

Znečištěný vzduchový filtr může vést k poškození motoru nebo k jeho nesprávnému fungování. V prašných podmínkách provádějte údržbu čističe vzduchu častěji.

Podrobnosti ohledně toho, kdy vyměnit vzduchový filtr, jsou uvedeny v části *Údržba na strani 43*.

1. Odmontujte kryt vzduchového filtru a filtr.
2. Vyčistěte filtr poklepáním o rovný povrch. K čištění filtru nepoužívejte ředidla na bázi petroleje, kerosin, ani stlačený vzduch.

Povšimněte si: Vzduchové filtry, které se používají dlouho, nelze zcela vyčistit. V pravidelných intervalech měňte vzduchový filtr. Poškozené vzduchové filtry je nutno vždy vyměnit.

3. Při montáži vzduchového filtru zkontrolujte, zda plně těsní proti svému držáku.

Kontrola deflektoru pro boční vyhazování

Deflektor pro boční vyhazování je připevněn k otvoru pro boční vyhazování na výrobku. Při sečení snižuje nebezpečí odmrštění předmětů do prostoru obsluhy.

1. Zkontrolujte, zda není deflektor pro boční vyhazování poškozený.
2. Prohlédněte deflektor pro boční vyhazování. Zkontrolujte přítomnost vad, jako jsou praskliny nebo prasklé pružiny, které tlačí dvířka do zavřené polohy.
3. V případě poškození vyměňte deflektor pro boční vyhazování nebo pružiny.

Kontrola palivového systému

- Prohlédněte víčko palivové nádrže a těsnění víčka a ujistěte se, že nejsou poškozené.

- Prohlédněte hadici přívodu paliva a ujistěte se, že nedochází k úniku. Pokud je hadice přívodu paliva poškozená, požádejte servisního pracovníka o výměnu.

Seřízení lanka spojky ((LC 151S, LB 251S, LB 256SP))

V následujících situacích je nutné zkrátit lanko spojky:

- Pohon kol se po zatažení páky pojezdu nebo páky ovládání rychlosti neaktivuje.
- Výrobek se při aktivaci pohonu kol pohybuje pomalu.

V následujících situacích je nutné prodloužit lanko spojky:

- Výrobek se pohybuje, když není pohon kol aktivní.
- Seřídte lanko spojky.
 - a) Pokud chcete zkrátit lanko spojky, otočte seřizovacím šroubem proti směru hodinových ručiček.
 - b) Pokud chcete prodloužit lanko spojky, otočte seřizovacím šroubem po směru hodinových ručiček. (Obr. 42)

Pokud je pojezd výrobku i po seřízení nevyhovující, kontaktujte autorizovaný servis.

Odstraňování problémů s motorem

Problém	Možná příčina	Řešení
Motor nestartuje.	Kabel zapalování není správně připojen.	Připojte kabel zapalování k zapalovací svíčce.
	Palivová nádrž je prázdná.	Doplňte do palivové nádrže palivo správného typu.
	Palivo je staré.	Vyprázdněte palivovou nádrž a karburátor. Doplňte nový benzin.
	V karburátoru nebo vedení paliva jsou nečistoty.	Vyčistěte karburátor nebo vedení paliva.
	Zapalovací svíčka je vadná.	Upravte vzdálenost elektrod a vyčistěte nebo vyměňte svíčku.
	Na zapalovací svíčce je palivo.	Vyčistěte zapalovací svíčku.
Motor se nezastavuje.	Mechanismus zastavení je vadný.	Odpojte kabel zapalování od zapalovací svíčky. Opravu tohoto výrobku světe schválenému servisnímu pracovníkovi.

Problém	Možná příčina	Řešení
Motor neběží plynule.	Kabel zapalování není správně připojen.	Připojte kabel zapalování k zapalovací svíčce.
	Ve vedení paliva jsou nečistoty nebo je palivo příliš staré.	Vyčistěte vedení paliva. Doplněte do palivové nádrže nové palivo správného typu.
	Víčko palivové nádrže je zablokované.	Očistěte víčko palivové nádrže.
	V palivovém systému je voda nebo nečistoty.	Vypusťte palivovou nádrž. Doplněte do palivové nádrže nové palivo správného typu.
	Vzduchový filtr je znečištěný.	Vyčistěte vzduchový filtr.
	Karburátor je nutné seřídit.	Nechte karburátor seřídit u servisního prodejce.
Teplota motoru je příliš vysoká.	Příliš nízká hladina motorového oleje.	Doplněte motorový olej.
	Proudění vzduchu není dostatečné.	Vyčistěte vzduchový filtr a kryt vzduchového filtru.
	Karburátor je nutné seřídit.	Nechte karburátor seřídit u servisního prodejce.
Při vysokých otáčkách motor vynechává.	Vzdálenost elektrod v zapalovací svíčce je příliš malá.	Seříďte vzdálenost elektrod.
Neobvyklé zvuky z motoru při normálním zatížení.	Nesprávný typ benzínu.	Vyprázdněte palivovou nádrž a karburátor. Doplněte nový benzín. Další informace jsou uvedeny v části <i>Doplňování paliva na straně 41</i> . Pokud potíže přetrvávají, obraťte se na místní servis.
Motor nefunguje plynule ve volnoběžných otáčkách.	Zapalovací svíčka je znečištěná, vadná nebo je vzdálenost elektrod příliš velká.	Upravte vzdálenost elektrod nebo vyměňte svíčku.
	Karburátor je nutné seřídit.	Seříďte karburátor.
	Vzduchový filtr je znečištěný.	Vyčistěte vzduchový filtr.

Přeprava, skladování a likvidace

Přeprava a skladování

- Před uskladněním a přepravou výrobku či paliva zkontrolujte, zda nejsou přítomny známky úniku nebo výparů. Jiskry a otevřený oheň, například z elektrických zařízení nebo kotlů, mohou zažehnout požár.
- Vždy používejte schválené nádoby na skladování a přepravu paliva.
- Před dlouhodobým skladováním výrobku vyprázdněte palivovou nádrž. Odevzdejte palivo na příslušném sběrném místě
- Během přepravy musí být výrobek bezpečně upevněn, aby se zabránilo jeho poškození a nehodám.

- Skladujte výrobek na uzamčeném místě, aby se zamezilo přístupům dětí a neoprávněných osob.
- Uchovávejte výrobek na suchém a bezprašném místě.

Likvidace

- Dodržujte místní požadavky ohledně recyklace a platné předpisy.
- Odevzdejte všechny chemikálie, například motorový olej nebo palivo, v servisním středisku nebo na příslušném sběrném místě.
- Nehodláte-li výrobek dále používat, odešlete jej prodejci Husqvarna nebo jej dopravte do recyklační stanice.

Technické údaje

Technické údaje

	LC 151	LC 151S	LB 251S	LB 256SP
Motor				
Značka	Husqvarna	Husqvarna	Husqvarna	Husqvarna
Typ motoru	Jeden válec, 4dobý, nucené chlazení vzduchem, rozvod OHV	Jeden válec, 4dobý, nucené chlazení vzduchem, rozvod OHV	Jeden válec, 4dobý, nucené chlazení vzduchem, rozvod OHV	Jeden válec, 4dobý, nucené chlazení vzduchem, rozvod OHV
Zdvihový objem, cm ³	166	166	166	166
Rychlost, ot/min	2800	2800	2800	2800
Jmenovitý výkon motoru, kW ¹⁷	2,7	2,7	2,7	2,7
Systém zapalování				
Zapalovací svíčka	Husqvarna HQT-7	Husqvarna HQT-7	Husqvarna HQT-7	Husqvarna HQT-7
Vzdálenost elektrod, mm	0,7–0,8	0,7–0,8	0,7–0,8	0,7–0,8
Systém mazání a palivový systém				
Typ mazání motoru	Rozstříkovací	Rozstříkovací	Rozstříkovací	Rozstříkovací
Objem palivové nádrže, l	1,0	1,0	1,0	1,0
Objem olejové nádrže, litry	0,5	0,5	0,5	0,5
Motorový olej ¹⁸	Husqvarna SAE 30	Husqvarna SAE 30	Husqvarna SAE 30	Husqvarna SAE 30
Hmotnost				
S prázdnými nádržemi, kg	31,1	32,6	32,0	33,1
Emise hluku¹⁹				
Hladina akustického výkonu, změřená, dB(A)	96	96	95	97
Hladina akustického výkonu, zaručená, L _{WA} dB(A)	98	98	96	98
Hladina hluku²⁰				

¹⁷ Uvedený jmenovitý výkon motoru je průměrný čistý výkon (při specifikovaných ot./min.) typického motoru pro model motoru měřený podle normy SAE J1349/ISO1585. Sériově vyráběné motory se od této hodnoty mohou lišit. Skutečný výstupní výkon motoru instalovaného na konečném výrobku závisí na provozních otáčkách, povětrnostních podmínkách a dalších hodnotách.

¹⁸ Pokud použijete olej SAE-30 při teplotách nižších než +5 °C, hrozí nebezpečí nedostatečného promazání motoru. Může dojít k poškození motoru. Správný olej pro nízké teploty najdete v části *Výměna motorového oleje na strani 45*.

¹⁹ Emise hluku v životním prostředí měřené jako akustický výkon (L_{WA}) v souladu se směrnici 2000/14/ES.

²⁰ Uváděná data pro hladinu tlaku zvuku mají typickou statistickou odchylku (standardní odchylku) 1,2 dB (A).

	LC 151	LC 151S	LB 251S	LB 256SP
Hladina akustického tlaku na sluch obsluhy, dB(A)	86	86	82	86
Úrovně vibrací²¹				
Vibrace řídítek, m/s ²	8,5	8,5	4,7	7,5
Řezací zařízení				
Výška sečení, mm	25–75	25–75	25–75	25–75
Šířka sečení, mm	510	510	510	560
Žací systém	Sběr / BioClip® / boční vyhazování	Sběr / BioClip® / boční vyhazování	BioClip® / boční vyhazování	BioClip® / boční vyhazování
Nůž – standardní	Sběr 598562601	Sběr 598562601	Mulč 597683901	Mulč 598563601
Nůž – příslušenství	Mulč 597683901	Mulč 597683901	–	–
Kapacita koše na trávu, litry	65	65	–	–
Pohon				
Rychlost vlastního pojezdu, km/h	–	3,6	4,0	3,6

²¹ Uváděná data o úrovni vibrací mají typickou statistickou odchylku (standardní odchylku) 0,2 m/s².

ES Prohlášení o shodě

ES Prohlášení o shodě

Husqvarna AB, SE-561 82 Huskvarna, Švédsko, tel:

+46-36-146500, prohlašuje, že **sekačka na trávu**

Husqvarna LC 151, LC 151S, LB 251S, LB 256SP

vyrobená v roce 2020 a později splňuje požadavky
SMĚRNICE RADY:

- z 8. června 2011 o „omezení používání některých nebezpečných látek“ **2011/65/EU**
- ze 17. května 2006 „týkající se strojních zařízení“ **2006/42/ES**
- z 26. února 2014 „týkající se elektromagnetické kompatibility“ **2014/30/EU**,
- z 8. května 2000 „týkající se emisí hluku v okolním prostředí“ **2000/14/ES**.

Informace o emisích hluku najdete v kapitole "Technické údaje".

Byly uplatněny následující normy:

EN ISO 5395-1:2013, EN ISO 5395-1:2013/A1, EN ISO 5395-2:2013, EN ISO 5395-2:2013/A1:2016, EN ISO 5395-2:2013/A2:2017, EN ISO 14982:2009

Není-li uvedeno jinak, platí výše uvedené normy v poslední vydané verzi.

Ohlašovací úřad (LC 151, LC 151S, LB 256SP): **0036, TÜV SÜD Industrie Service GmbH, Westendstrasse 199, 80686 München, Germany** provedl vyhodnocení shody podle přílohy VI směrnice 2000/14/ES.

Ohlašovací úřad (LB 251S): **0404, RISE SMP Svensk Maskinprovning AB, Box 7035, SE-750 07 Uppsala, Sweden** provedl vyhodnocení shody podle přílohy VI směrnice 2000/14/ES.

Huskvarna, 2020-10-20



Claes Losdal, Development Manager/Garden Products
(ředitel vývoje zahradního sortimentu) (Autorizovaný
zástupce společnosti Husqvarna AB a osoba odpovědná
za technickou dokumentaci.)

Indhold

Indledning.....	51	Fejlfinding af motor.....	60
Sikkerhed.....	52	Transport, opbevaring og bortskaffelse.....	61
Montering.....	55	Tekniske data.....	62
Drift.....	55	EU-overensstemmelseserklæring.....	64
Vedligeholdelse.....	57		

Indledning

Produktbeskrivelse

Produktet er en roterende plæneklipper med gående fører. Monter græsopsamlern på LC 151, LC 151S for at opsamle græs. Monter sideudkastdeflektoren for sideudkast af græsset. Monter et bioklipsæt på LC 151, LC 151S, og klip græsset til gødning.

Produktoversigt

(Fig. 1)

1. Styr
2. Motorbremsehåndtag
3. Bøjle til fremtræk (LC 151S, LB 256SP)
4. Styrehåndtag (LB 251S)
5. Bageste dæksel (LC 151, LC 151S)
6. Græsopsamler (LC 151, LC 151S)
7. Styr til højdejustering
8. Klippehøjdehåndtag
9. Oliedæksel og oliepinde
10. Sideudkastdæksel
11. Lyddæmper
12. Tændrør
13. Karburator
14. Brændstoftankdæksel
15. Symboler
16. Klippeskjold
17. Luftfilter
18. Sidedeflektor
19. Bioklipsæt (tilbehør til LC 151, LC 151S)
20. Startsnorens håndgreb
21. Brugervejledning

Symboler på produktet

(Fig. 2) **ADVARSEL!** Vær forsigtig, og brug produktet korrekt. Dette produkt kan forårsage alvorlig personskade eller død for brugeren eller andre.

(Fig. 3) Læs brugsanvisningen omhyggeligt igennem, og sørg for at have forstået instruktionerne, inden du bruger produktet.

Anvendelsesformål

Brug produktet til at slå græs. Brug ikke produktet til andre opgaver.

(Fig. 4) Pas på udslyngede genstande og rikoletter.

(Fig. 5) Hold uvedkommende personer og dyr på sikker afstand af arbejdsstedet.

(Fig. 6) Advarsel: Hold hænder og fødder på sikker afstand af den roterende klinge.

(Fig. 7) Advarsel: Hold hænder og fødder på sikker afstand af bevægelige dele.

(Fig. 8) Stands motoren, og fjern tændingskablet, før der udføres reparationer eller vedligeholdelsesarbejde.

(Fig. 9) Dette produkt er i overensstemmelse med gældende CE-direktiv.

(Fig. 10) Støjemissioner til omgivelserne i henhold til EF-direktiv. Produktets emission fremgår af kapitlet Tekniske data og af mærkaten.

(Fig. 11) Brandfare.

(Fig. 12) Indånd ikke udstødningsgasser. Udstødningsgasserne fra motoren indeholder kulilte, som er en luftfri, giftig og meget farlig gasart. Undlad at starte motoren indendørs eller i lukkede rum.

(Fig. 13) Varm overflade.

(Fig. 14) Fyld motoren med olie, før du starter produktet.

Bemærk: Andre symboler/mærkater på produktet henviser til certificeringskrav i visse handelsområder.

Produktansvar

Som nævnt i produktansvarsbestemmelserne hæfter vi ikke for skader forårsaget af vores produkt, hvis:

- produktet er forkert repareret.
- produktet er repareret med dele, der ikke er fra producenten eller ikke er godkendt af producenten
- produktet har tilbehør, der ikke er fra producenten eller ikke er godkendt af producenten.

- produktet ikke er repareret på et godkendt servicecenter eller af en godkendt myndighed.

Euro V-emissioner



ADVARSEL: Ved manipulation af motoren bortfalder EU-typegodkendelsen af dette produkt.

Sikkerhed

Sikkerhedsdefinitioner

Advarsler, forholdsregler og bemærkninger bruges til at pege på særligt vigtige dele af brugsanvisningen.



ADVARSEL: Bruges, hvis føreren udsætter sig selv eller omkringstående personer for risiko for personskade eller dødsfald ved tilsidesættelse af instruktionerne i brugsanvisningen.



BEMÆRK: Bruges, hvis der er risiko for skader på produktet, andre materialer eller det omgivende område ved tilsidesættelse af instruktionerne i brugsanvisningen.

Bemærk: Bruges til at give yderligere oplysninger, der er nødvendige i en given situation.

Generelle sikkerhedsinstruktioner



ADVARSEL: Læs følgende advarselsinstruktioner, inden du bruger produktet.

- Dette produkt er farligt, hvis det bruges forkert, eller hvis du ikke er forsigtig. Personskade eller dødsfald kan forekomme, hvis du ikke overholder sikkerhedsinstruktionerne.
- Dette produkt danner et elektromagnetisk felt under drift. Dette felt kan i nogle tilfælde påvirke aktive eller passive medicinske implantater. For at reducere risikoen for alvorlige eller dødbringende kvæstelser anbefaler vi, at personer med medicinske implantater kontakter deres læge og producenten af det medicinske implantat, før de tager produktet i brug.
- Vær altid forsigtig, og brug din sunde fornuft. Hvis du ikke er sikker på, hvordan produktet betjenes en særlig situation: Stop, og kontakt Husqvarna forhandleren, inden du fortsætter.
- Vær opmærksom på, at føreren er ansvarlig for ulykker, der involverer andre personer eller disses ejendom.
- Hold produktet rent. Sørg for, at skilte og mærkater er tydeligt læsbare.

- Lad ikke en person bruge produktet, medmindre du er sikker på, at vedkommende har læst og forstået indholdet i denne brugsanvisning.
- Lad ikke børn betjene produktet.
- Hold børn væk fra arbejdsområdet. En voksen skal være til stede hele tiden.
- Lad ikke en person uden kendskab til vejledningen betjene produktet.
- Hold altid øje med personer med nedsat fysisk eller mental kapacitet, der bruger produktet. En voksen skal være til stede hele tiden.
- Brug ikke produktet, hvis du er træt, syg eller påvirket af alkohol, narkotika eller medicin. Det har en negativ virkning på synet, overblikket, koordinationssevnen og dømmekraften.
- Brug ikke produktet, hvis det er fejlbehæftet.
- Foretag ikke ændringer på produktet, og undlad at bruge det, hvis der er risiko for, at det er blevet ændret af andre.
- Foretag ikke ændringer i justeringen af motoromdrejningsstyringen.

Sikkerhed i arbejdsområdet



ADVARSEL: Læs følgende advarselsinstruktioner, inden du bruger produktet.

- Fjern genstande såsom grene, kviste og sten fra arbejdsområdet, inden du bruger produktet.
- Genstande, som rammer skæreudstyret, kan udslynges og forårsage person- og tingskade. Hold omkringstående personer og dyr på sikker afstand af produktet.
- Undlad at bruge produktet i dårligt vejr, som f.eks. tåge, regn, hård vind, kraftig kulde og ved risiko for lynnedslag. Det kan være trættende at bruge produktet i dårligt vejr eller i fugtige eller våde områder. Dårligt vejr kan medføre farlige forhold, f.eks. glatte underlag.
- Pas på personer, genstande og situationer, som kan forhindre sikker brug af produktet.
- Pas på forhindringer som f.eks. rødder, sten, kviste, huller og grøfter. Langt græs kan skjule hindringer.

- Det kan være farligt at klippe græs på skrånninger. Brug ikke produktet på skrånninger, der hælder mere end 15°.
- Lad produktet køre på tværs af skrånninger. Kørs ikke op og ned.
- Vær forsigtig, når du nærmer dig uoverskuelige hjørner og genstande, som blokerer for udsynet.

Arbejdssikkerhed



ADVARSEL: Læs følgende advarselsinstruktioner, inden du bruger produktet.

- Brug kun produktet til græsslåning. Det er ikke tilladt at bruge det til andre opgaver.
- Bær personligt beskyttelsesudstyr. Se *Personligt beskyttelsesudstyr på side 53*.
- Sørg for, at du ved, hvordan du standser motoren hurtigt i nødstilfælde.
- Start aldrig motoren i et lukket rum eller i nærheden af brandfarlige materialer. Motorens udstødningsgasser er varme og kan indeholde gnister, som kan forårsage brand.
- Betjen ikke produktet, medmindre klingens og alle afskærmninger er monteret korrekt. En forkert monteret klinge kan løse sig og forårsage personskade.
- Sørg for, at klingens ikke rammer genstande som f.eks. sten og rødder. Det kan beskadige kniven og bøje motorakslen. En bøjet aksel giver kraftige vibrationer og stor risiko for, at kniven løsner sig.
- Hvis kniven rammer en genstand, eller der opstår vibrationer, skal du straks standse produktet. Tag tændkablet af tændrøret. Undersøg, om produktet er blevet beskadiget. Reparér skader, eller lad et autoriseret serviceværksted udføre reparationen.
- Fastgør aldrig motorbremsehåndtaget permanent på styret, når motoren er startet.
- Anbring produktet på et stabilt, fladt underlag, og start det. Sørg for, at kniven ikke rammer jorden eller andre genstande.
- Hold dig altid bag produktet, mens du betjener det.
- Lad alle hjulene blive på jorden, og hold 2 hænder på styret, når du betjener produktet. Hold hænder og fødder på sikker afstand af de roterende klinger.
- Tip ikke produktet, når motoren er startet.
- Vær forsigtig, når du trækker produktet baglæns.
- Løft aldrig produktet, når motoren er startet. Hvis du skal løfte produktet, skal du først standse motoren og frakoble tændkablet fra tændrøret.
- Gå ikke baglæns, når du bruger produktet.
- Stands motoren, når du bevæger dig hen over områder uden græs, f.eks. stier med grus, sten og asfalt.
- Undlad at køre med produktet, når motoren er startet. Gå altid fremad, når du bruger produktet.
- Stands motoren, inden du ændrer klippehøjden. Foretag aldrig justeringer, når motoren er startet.

- Efterlad aldrig produktet uden opsyn, når motoren er startet. Stands motoren, og sørg for, at skæreudstyret ikke roterer.

Sikkerhedsinstruktioner for drift

Personligt beskyttelsesudstyr



ADVARSEL: Læs følgende advarselsinstruktioner, inden du bruger produktet.

- Personligt beskyttelsesudstyr udelukker ikke fuldstændigt risikoen for personskader, men det mindsker graden af skaderne i tilfælde af, at der skulle ske en ulykke. Lad forhandleren hjælpe dig med at vælge det rigtige udstyr.
- Brug høreværn, hvis støjniveauet er højere end 85 dB.
- Brug kraftige, skridsikre støvler eller sko. Brug ikke åbne sko, og gå heller ikke på bare fødder.
- Brug kraftige, lange bukser.
- Brug om nødvendigt beskyttelseshandsker, f.eks. ved montering, eftersyn eller rengøring af skæreudstyret.

Sikkerhedsanordninger på produktet



ADVARSEL: Læs følgende advarselsinstruktioner, inden du bruger produktet.

- Brug ikke et produkt med defekte sikkerhedsanordninger.
- Kontrollér sikkerhedsanordningerne regelmæssigt. Hvis sikkerhedsanordningerne er defekte, skal du henvende dig til dit Husqvarna-serviceværksted.

Sådan kontrolleres klippeskjoldet

Klippeskjoldet mindsker vibrationer i produktet og reducerer risikoen for skader fra klingens.

- Undersøg klippeskjoldet for at sikre, at der ikke er skader såsom revner.

Sådan kontrolleres motorbremsehåndtaget.

Motorbremsehåndtaget standser motoren. Når motorbremsehåndtaget slippes, standser motoren.

- Start motoren, og slip derefter motorbremsehåndtaget. Hvis motoren ikke standser inden for 3 sekunder, skal et godkendt Husqvarna serviceværksted justere motorbremsen. (Fig. 15)

Sådan kontrollerer du bageste dæksel

Den bageste deflektor mindsker risikoen for, at genstande slynges ud i retning af føreren.

- Sørg for, at det bageste dæksel ikke er beskadiget.

- Sørg for, at fjedrene, der lukker det bageste dæksel, ikke er i stykker.
- Udskift beskadigede fjedre og ødelagte dele.
- Sørg for, at det bageste dæksel bevæger sig frit på hængslerne.

Lyddæmper

Lyddæmperen sikrer et minimalt støjniveau og sender udstødningsgasserne væk fra føreren.

Brug ikke produktet, hvis lyddæmperen mangler eller er defekt. En defekt lyddæmper øger støjniveauet og risikoen for brand.



ADVARSEL: Lyddæmperen bliver meget varm under og efter brug, og når motoren kører i tomgang. Vær forsigtig i nærheden af brandfarlige materialer og/eller dampe for at forhindre brand.

Sådan kontrolleres lyddæmperen

- Efterse lyddæmperen regelmæssigt for at sikre, at den er monteret korrekt og ikke er beskadiget.

Brændstofsikkerhed



ADVARSEL: Læs følgende advarselsinstruktioner, inden du bruger produktet.

- Start ikke produktet, hvis der er brændstof eller motorolie på produktet. Fjern uønsket brændstof/olie og lad produktet tørre.
- Hvis du får brændstof på dit tøj, skal du skifte tøj med det samme.
- Undgå at få brændstof på kroppen, da det kan forårsage personskader. Hvis du får brændstof på kroppen, skal du bruge sæbe og vand til at fjerne brændstoffet.
- Start ikke produktet, hvis motoren lækker. Undersøg regelmæssigt motoren for lækager.
- Vær forsigtig med brændstof. Brændstof er letantændeligt og dampe er eksplosive og kan medføre personskader eller dødsfald.
- Undgå at indånde brændstoffampene, da det kan forårsage personskader. Sørg for, at der er tilstrækkelig luftstrøm.
- Ryg ikke i nærheden af brændstof eller motor.
- Anbring ikke varme genstande i nærheden af brændstof eller motor.
- Fyld ikke brændstof på, når motoren er tændt.

- Sørg for, at motoren er afkølet, inden du fylder brændstof på.
- Før du fylder brændstof på, skal du åbne brændstofftankens dæksel langsomt og forsigtigt udløse trykket.
- Fyld ikke brændstof på motoren i et indendørs område. Utilstrækkelig med luftstrøm kan forårsage personskader eller dødsfald på grund af kvælning eller kulilte.
- Spænd brændstofftankens dæksel helt. Hvis brændstofftankens dæksel ikke spændes, opstår der risiko for brand.
- Flyt produktet minimum 3 m / 10 ft fra det sted, hvor du fyldte tanken, før du starter det.
- Fyld aldrig brændstofftanken helt op. Varme får brændstoffet til at udvide sig. Sørg for at bevare ledig plads øverst i brændstofftanken.

Sikkerhedsinstruktioner for vedligeholdelse



ADVARSEL: Læs følgende advarselsinstruktioner, inden du bruger produktet.

- Udstødningsgasserne fra motoren indeholder kulilte, som er en lugtfri, giftig og meget farlig gasart. Undlad at starte motoren indendørs eller i lukkede rum.
- Før der udføres vedligeholdelse af produktet, standses motoren, og tændkablet tages af tændrøret.
- Brug handsker, når du udfører vedligeholdelse på skæreudstyret. Klinge er meget skarpe, og du kan nemt komme til at skære dig.
- Tilbehør til og ændringer på produktet, som ikke er godkendt af producenten, kan medføre alvorlig personskade eller dødsfald. Undlad at ændre produktet. Brug altid reservedele, der er godkendt af producenten.
- Hvis vedligeholdelsen ikke udføres korrekt og regelmæssigt, øges risikoen for personskade og beskadigelse af produktet.
- Foretag kun den form for vedligeholdelse, der er angivet i denne instruktionsbog. Eventuel anden service skal udføres af et godkendt Husqvarna serviceværksted.
- Lad et godkendt Husqvarna serviceværksted foretage regelmæssig service af produktet.
- Udskift beskadigede, slidte eller defekte dele.

Montering

Indledning



ADVARSEL: Inden brug af produktet skal du læse og forstå kapitlet om sikkerhed.



ADVARSEL: Fjern tændrørskablet fra tændrøret inden samling af produktet.

Sådan samles håndtaget

1. Skub skruen (A) gennem håndtaget (B), plastikskiven (C) og håndtagets støttebeslag (D). (Fig. 16)
2. Spænd møtrikken (E) helt.
3. Skub skruen (F) gennem skiven (G) og håndtagets støttebeslag. (Fig. 17)
4. Spænd knappen (H) helt.

Sådan justeres håndtaget

1. Løsn de nederste skruehåndtag.
2. Flyt grebene til den nederste ende af rillerne på venstre og højre side af produktet. (Fig. 18)
3. Sæt håndtagets højde i en af de 2 mulige stillinger.
4. Flyt grebene op i retning af håndtaget, indtil de stopper, og der høres et klik. (Fig. 19)

5. Spænd skruehåndtagene hårdt.

Sådan sættes produktet i transportposition

1. Løsn de nederste skruehåndtag.
2. Flyt grebene til den nederste ende af rillerne på venstre og højre side af produktet. (Fig. 18)
3. Fold håndtaget fremad. (Fig. 20)

Sådan sættes produktet i driftsstilling

1. Fold håndtaget ud i opretstående stilling. (Fig. 21)
2. Flyt grebene op i retning af håndtaget, indtil de stopper, og der høres et klik. (Fig. 19)
3. Spænd skruehåndtagene hårdt.

Sådan samles græsopsamleren (LC 151, LC 151S)

1. Fastgør græsopsamlerens ramme til græsposen med den afstivede del af posen nederst. Sørg for, at håndtaget på rammen er uden for toppen af posen. (Fig. 22)
2. Fastgør græsposen til rammen ved hjælp af clipsene. (Fig. 23)

Drift

Indledning



ADVARSEL: Før du bruger produktet, skal du læse og forstå kapitlet om sikkerhed.

Husqvarna Connect

Husqvarna Connect er en gratis app til din mobile enhed. Appen Husqvarna Connect giver udvidede funktioner til dit Husqvarna produkt:

- Yderligere produktoplysninger.
- Oplysninger om, og hjælp til, dele og service.

Sådan kommer du i gang med at bruge Husqvarna Connect

1. Download Husqvarna Connect appen på din mobile enhed.
2. Tilmeld dig i Husqvarna Connect appen.
3. Følg instruktionerne i Husqvarna Connect appen for at tilslutte og registrere produktet.

Før du bruger produktet

1. Læs brugsanvisningen omhyggeligt igennem, og sørg for at have forstået instruktionerne.
2. Undersøg skæreudstyret for at sikre, at det er korrekt monteret og justeret. Se *Sådan efterses skæreudstyret på side 58*.
3. Fyld brændstofftanken. Se *Sådan påfyldes brændstof på side 55*.
4. Fyld olietanken, og efterse oliestanden. Se *Sådan kontrolleres oliestanden på side 59*.

Sådan påfyldes brændstof

Brug om muligt miljø-/alkylatbenzin. Hvis du ikke har mulighed for at bruge miljø-/alkylatbenzin, anvendes en blyfri benzin af god kvalitet eller blyholdig benzin med et oktantal ikke under 90.



BEMÆRK: Brug ikke benzin med et oktantal mindre end 90 RON (87 AKI). Det kan forårsage skader på produktet.

1. Åbn brændstoftankens dæksel langsomt for at aflaste trykket.
2. Påfyld brændstof langsomt med en benzindunk. Hvis du spilder brændstof, fjernes det med en klud. Lad resterende brændstof fordampe. (Fig. 24)
3. Rengør omkring brændstoftankens dæksel.
4. Spænd brændstoftankens dæksel helt. Hvis brændstoftankens dæksel ikke spændes, opstår der risiko for brand.
5. Flyt produktet minimum 3 m fra det sted, hvor du fyldte tanken, før du starter det.

Sådan indstilles klippehøjden

1. Flyt klippehøjdehåndtaget bagud for at øge klippehøjden.
2. Flyt klippehøjdehåndtaget fremad for at mindske klippehøjden. (Fig. 25)



BEMÆRK: Indstil ikke klippehøjden for lavt. Knivene kan ramme jorden, hvis græsplænenes overflade ikke er jævn.

Sådan startes produktet

1. Kontroller, at tændkablet er tilsluttet til tændrøret.
2. Stil dig bag produktet.
3. Hold motorbremsehåndtaget ind mod styret. (Fig. 26)
4. Hold fast i startsnorens håndgreb med højre hånd.
5. Træk langsomt startsnoren ud, indtil der føles modstand.
6. Træk kraftigt, indtil motoren starter.



ADVARSEL: Vikl aldrig startsnoren rundt om hånden.

Sådan bruges hjulenes fremtræk (LC 151S & LB 256SP)

- Skub bøjlen til fremtrækket i retning mod styret. (Fig. 27)
- Slip bøjlen til fremtrækket for at frakoble det, f.eks. når du nærmer dig en forhindring.
- Før produktet trækkes baglæns, frakobles fremtrækket, og produktet skubbes ca. 10 cm fremad.

Sådan bruges hjulenes fremtræk ((LB 251S))

- Træk styrehåndtaget i retning mod håndtaget. (Fig. 28)
- Skub styrehåndtaget væk fra håndtaget for at frakoble drevet, f.eks. når du nærmer dig en forhindring.

Bemærk: Styrehåndtaget deaktiveres automatisk, når bremsehåndtaget slippes.

- Før du trækker produktet bagud, skal du skubbe styrehåndtaget væk fra håndtaget og skubbe produktet ca. 10 cm fremad for at frakoble drevet helt.

Sådan standses produktet

- Hvis du kun vil stoppe drevet, skal du slippe bøjlen (LC 151S, LB 256SP) eller styrehåndtaget (LB 251S).
- Motoren standses ved at slippe motorbremsehåndtaget.

Sådan betjenes produktet med græsopsamleren (LC 151, LC 151S)



ADVARSEL: Betjen ikke produktet uden monteret græsopsamler eller med det bageste dæksel åben. Objekter kan blive slynget ud og forårsage skader på føreren.

1. Løft det bageste dæksel, og fjern bioklipproppen, hvis den er monteret. (Fig. 29)
2. Saml græsopsamleren, se *Sådan samles græsopsamleren (LC 151, LC 151S) på side 55*.
3. Fastgør græsopsamleren til beslaget.
4. Skru det bageste dæksel af, og sæt det oven på græsopsamlerrammen. (Fig. 30)

Sådan ændres produktet til biokliptilstand (LC 151, LC 151S)

Sørg for, at motoren er standset, før du ændrer produktet til biokliptilstand.

1. Løft det bageste dæksel, og fjern græsopsamleren, hvis den er monteret.
2. Sæt bioklipproppen i udkastkanalen. (Fig. 31)
3. Luk det bageste dæksel, og sørg for, at det slutter tæt til bioklipproppen.
4. Udskift klingens med findelingsklingen leveret i findelingssettet. Se *Sådan udskiftes klingens på side 58*.

Sådan ændres produktet, så græsset kastes til siden

1. Løft det bageste dæksel, og fjern græsposen, hvis den er monteret.
2. Luk det bageste dæksel, og sørg for, at det slutter tæt til produktet.
3. Løft udkasterlåsen. (Fig. 32)
4. Åbn sideudkastdækslet, og monter sideudkastdeflektoren på støttesifterne. (Fig. 33)
5. Lad sideudkastdækslet lukke mod sideudkastdeflektoren. Sørg for, at

sideudkastdeflektoren sidder helt fast, før du betjener produktet.

Sådan tømmes græsopsamleren



BEMÆRK: Løft græsopsamleren, når du flytter den, for at undgå slitage.

1. Løft græsopsamleren med rammens håndtag.
2. Brug rammehåndtaget og posens håndtag, når du tømmes græsopsamleren. (Fig. 34)

Sådan opnår du et godt resultat

- Sørg altid for, at klingen er skarp. En sløv klinge giver et uregelmæssigt resultat, og græssets

snitflade bliver gul. En skarp klinge bruger desuden mindre energi end en sløv klinge.

- Klip aldrig mere end $\frac{1}{2}$ af græssets længde. Benyt den højeste klippehøjde, når du begynder at slå græsset. Efterse resultatet, og sænk derefter klippehøjden til det ønskede niveau. Hvis græsset er meget højt, skal du køre langsomt og om nødvendigt klippe 2 gange.
- Klip i forskellige retninger hver gang for at undgå striber i græsplænen.
- Løft bagklappen, og tag græsopsamleren ud.
- Hvis der er monteret en bioklipprop og en findelingsklinge, skal de fjernes.
- Luk det bageste dæksel, før du betjener produktet. Når du betjener produktet, udkastes det afskårne græs under det bageste dæksel.

Vedligeholdelse

Indledning



ADVARSEL: Inden der foretages vedligeholdelse, skal du læse og forstå kapitlet om sikkerhed.

Alt service- og reparationsarbejde på produktet kræver specialuddannelse. Vi garanterer faglig korrekt reparation og service. Hvis forhandleren ikke er et serviceværksted, kan vedkommende oplyse om nærmeste serviceværksted.

Vedligeholdelsesintervallerne er fastlagt baseret på daglig brug af produktet. Intervallerne ændres, hvis produktet ikke bruges dagligt.

For vedligeholdelse mærket med * henvises til vejledningen i *Sikkerhedsanordninger på produktet på side 53*.

Vedligeholdelsesskema



BEMÆRK: Sørg for, at luftfilteret er oppe og ikke rammer imod jorden, når du vipper produktet. Risiko for motorskade.

Vedligeholdelse	Hver dag	Månedligt	Hver sæson
Foretag et generelt eftersyn	X		
Efterse oliestanden	X		
Skift olie (første gang efter 5 timers brug, derefter efter hver 50 timers brug). ²²			X
Rengør produktet	X		
Efterse skæreudstyret	X		
Efterse klippeskjoldet *	X		
Efterse motorbremsehåndtaget *	X		
Efterse lyddæmperen *		X	
Efterse tændrøret. Rengør eller udskift tændrøret, når det er nødvendigt			X

²² Hvis produktet betjenes med stor belastning eller ved høje omgivelsestemperaturer, skal motorolien udskiftes hver 25. time.

Vedligeholdelse	Hver dag	Månedligt	Hver sæson
Undersøg luftfilteret	X		
Rens luftfilteret ²³		X	
Udskift luftfilteret			X
Efterse brændstofssystemet			X
Rens køleribberne på cylinderen		X	
Efterse og justér koblingskablet (LC 151S, LB 251S, LB 256SP)			X
Rengør under transmissionsdækslet (LB 251S)			X

Sådan udføres et generelt eftersyn

- Sørg for, at alle møtrikker og skruer på produktet er spændt korrekt.

Sådan rengøres produktet udvendigt

- Brug en børste til at fjerne blade, græs og snavs.
- Sørg for, at luftindtaget oven på motoren ikke er blokeret.
- Brug ikke en højtryksrenser til at rengøre produktet.
- Hvis du bruger vand til at rengøre produktet, må vandet ikke sprøjtes direkte på motoren.

Sådan rengøres indersiden af klippeskjoldet

- Tøm brændstoftanken.
- Vip produktet. Sørg for, at tændrøret peger opad.



BEMÆRK: Hvis produktet anbringes med luftfilteret nedad, kan motoren tage skade.

- Spul indersiden af klippeskjoldet med vand.

Sådan rengøres under transmissionsdækslet (LB 251S)

- Tøm brændstoftanken.
- Vip produktet. Sørg for, at tændrøret peger opad.



BEMÆRK: Hvis produktet anbringes med luftfilteret nedad, kan motoren tage skade.

- Afmonter de 7 skruer. (Fig. 35)
- Afmonter gearkassedækslet.
- Rengør overfladen med en børste.



BEMÆRK: Vand eller forurening under transmissionsdækslet kan beskadige transmissionen.

- Monter transmissionsdækslet og de 7 skruer.

Sådan efterses skæreudstyret



ADVARSEL: Tændkablet tages af tændrøret for at undgå utilsigtet start af motoren.



ADVARSEL: Brug handsker, når du udfører vedligeholdelse på skæreudstyret. Klingen er meget skarp, og du kan nemt komme til at skære dig.

- Efterse skæreudstyret for skader eller revner. Udskift altid skæreudstyret, hvis det er beskadiget.
- Kig på klingen for at se, om den er beskadiget eller sløv.

Bemærk: Kniven skal afbalanceres, efter den er blevet slebet. Lad et servicecenter skærpe, udskift og afbalancere klingen. Hvis du rammer en forhindring, der får produktet til at standse, udskiftes den beskadigede klinge. Lad servicecenteret vurdere, om klingens kan files, eller om den skal udskiftes.

Sådan udskiftes klingen

- Lås klingen med en trækloids. (Fig. 36)
- Fjern klingeboltens.
- Afmonter klingens.
- Efterse klingeophæng og klingebolt for at se, om der er skader.
- Efterse motorakslens for at sikre, at den ikke er bøjet.
- Når du sætter den nye klinge på, skal klingens ender pege i retning af klippeskjoldet. (Fig. 37)
- Sørg for, at klingens flugter med motorakslens centrum.
- Lås klingens med en trækloids. Monter fjederskiven, og spænd boltens og skiven med et tilspændingsmoment på 43 – 47 Nm. (Fig. 38)

²³ Rengør oftere under støvede forhold, eller når der er luftbårne partikler til stede. Udskift luftfilteret, hvis det er meget snavset.

- Træk klingen rundt pr. håndkraft, og kontrollér, at den drejer frit.



ADVARSEL: Brug sikkerhedshandsker. Klingen er meget skarp, og du kan nemt komme til at skære dig.

- Start produktet for at afprøve klingen. Hvis skiven ikke er korrekt fastgjort, forekommer der vibrationer i produkt, eller klipperesultatet bliver utilfredsstillende.

Sådan kontrolleres oliestanden



BEMÆRK: Hvis olieniveauet er for lavt, kan det medføre motorskader. Kontroller oliestanden, før du starter produktet.

- Anbring produktet på et plant underlag.
- Afmonter olietankens dæksel, hvorpå oliepinden sidder.
- Tør olien af oliepinden.
- Stik oliepinden helt ned i olietanken for at få et korrekt billede af oliestanden.
- Fjern oliepinden.
- Kontroller oliestanden på målepinden.
- Hvis oliestanden er lav, skal der efterfyldes med motorolie, og foretag derefter en kontrol af oliestanden igen.

Sådan udskiftes motorolien



ADVARSEL: Motorolien er meget varm umiddelbart efter, at motoren er standset. Lad motoren køle af, før du aftapper motorolien. Hvis du spilder motorolie på huden, kan den fjernes med vand og sæbe.

(Fig. 39)

- Brug produktet, indtil brændstoffranken er tom.
- Tag tændkablet af tændrøret.
- Tag olietankens dæksel af.
- Stil en beholder under produktet til at opsamle motorolien i.
- Vip produkt for at aftappe motorolien fra olietanken.
- Påfyld ny motorolie af den type, der anbefales i *Tekniske data på side 62*.
- Kontroller oliestanden. Se *Sådan kontrolleres oliestanden på side 59*.

Sådan undersøger du tændrøret



BEMÆRK: Brug altid anbefalet tændrørstype. Forkert tændrørstype kan forårsage skader på produktet.

- Undersøg tændrøret, hvis motoren mangler kraft, ikke starter nemt eller ikke fungerer korrekt i tomgangshastighed.
- Sådan mindsker du risikoen for uønsket materiale på tændrørets elektroder, følg disse instruktioner:
 - Sørg for, at omdrejningstallet i tomgang er indstillet korrekt.
 - Sørg for, at brændstofblandingen er korrekt.
 - Sørg for, at luftfilteret er rent.
- Hvis tændrøret er beskidt, skal det renses, og samtidig skal det kontrolleres, at elektrodeafstanden er korrekt, se *Tekniske data på side 62*. (Fig. 40)
- Udskift tændrøret, når det er nødvendigt.

Luftfilter

Et beskadiget filter kan beskadige motoren eller forhindre den i at fungere korrekt. Foretag hyppigere vedligeholdelse af luftfilteret under støvede forhold. Se *Vedligeholdelse på side 57* for at få oplysninger om, hvornår du skal udskifte luftfilteret.

Bemærk: Udskift altid et beskadiget luftfilter.

Sådan af- og påmonteres luftfilteret



ADVARSEL: Bær altid beskyttelseshandsker.

- Tryk på klemmerne på luftfilterdækslet.
- Tag forsigtigt luftfilterdækslet (A) ud af motoren.
- Fjern luftfilteret (B). (Fig. 41)
- Undersøg luftfilteret for skader. Udskift et beskadiget luftfilter.
- Rengør og efterse luftfilteret. Se *Rengøring af luftfilteret på side 59*.
- Monter i modsat rækkefølge.

Rengøring af luftfilteret

Et beskadiget filter kan beskadige motoren eller forhindre den i at fungere korrekt. Foretag hyppigere vedligeholdelse af luftfilteret under støvede forhold.

Se *Vedligeholdelse på side 57* for at få oplysninger om, hvornår du skal udskifte luftfilteret.

- Fjern luftfilterdækslet og filteret.
- Rengør filteret ved banke det mod en flad overflade. Brug aldrig et opløsningsmiddel med petroleum eller trykluft til at rengøre filteret.

Bemærk: Luftfiltre, der har været i brug i lang tid, kan ikke rengøres fuldstændigt. Udskift luftfilteret med regelmæssige mellemrum. Et beskadiget luftfilter skal altid udskiftes.

- Når du samler luftfilteret, skal du sørge for, at det slutter helt tæt til filterholderen.

Sådan kontrollerer du sideudkastdeflektoren

Sideudkastdeflektoren er fastgjort til produktets sideudkaståbning. Den mindsker risikoen for, at genstande slynges ud i retning af brugerens klippeposition.

1. Sørg for, at sideudkastdeflektoren ikke er beskadiget.
2. Efterse sideudkastdeflektoren. Sørg for, at der ikke er fejl, for eksempel revner eller ødelagte fjedre, som skubber døren i.
3. Udskift sideudkastdeflektoren eller fjedrene, hvis de er beskadigede.

Sådan undersøger du brændstofsyste­met

- Efterse brændstoftankens dæksel og pakningen til brændstoftankens dæksel for at sikre, at der ikke er nogen skader.
- Efterse brændstofslangen for at sikre, at der ikke er utætheder. Hvis brændstofslangen er beskadiget, skal du lade et serviceværksted skifte den.

Sådan justeres koblingskablet ((LC 151S, LB 251S, LB 256SP))

I nedenstående tilfælde er det nødvendigt at forkorte længden af koblingskablet:

- Hjulenes fremtræk aktiveres ikke, når du trækker i bøjlen til fremtræk eller i omdrejningstalreguleringen.
- Produktet kører langsomt, når hjulenes fremtræk er aktiveret.

I nedenstående tilfælde er det nødvendigt at øge længden af koblingskablet:

- Produktet kører, når hjulenes fremtræk ikke er aktiveret.
- Justering af koblingskablet.
 - a) Reducer længden af koblingskablet ved at dreje justerskruen mod uret.
 - b) Øg længden af koblingskablet ved at dreje justerskruen med uret. (Fig. 42)

Hvis produktet fortsat kører utilfredsstillende efter justeringen, skal du tale med en autoriseret serviceforhandler

Fejlfinding af motor

Problem	Mulig årsag	Løsning
Motoren starter ikke.	Tændingskablet er ikke forbundet korrekt.	Tilslut tændingskablet til tændrøret.
	Brændstoftanken er tom.	Fyld den korrekte brændstoftype i tanken.
	Brændstoffet er gammelt.	Tøm brændstoftanken og karburatoren. Påfyld ny benzin.
	Der er snavs i karburator eller brændstofledning.	Rengør karburatoren og/eller brændstofledningen.
	Tændrøret er defekt.	Juster elektrodeafstanden, rengør eller udskift tændrøret.
	Der er brændstof på tændrøret.	Rens tændrøret.
Motoren standser ikke.	Stopmekanismen er defekt.	Tag tændkablet af tændrøret. Lad et godkendt serviceværksted reparere produktet.

Problem	Mulig årsag	Løsning
Motoren kører ikke jævnt.	Tændingskablet er ikke forbundet korrekt.	Tilslut tændingskablet til tændrøret.
	Der er snavs i brændstofledningen, eller der er ikke mere brændstof på produktet.	Rengør brændstofførsløen. Fyld brændstoffranken op med nyt brændstof af den rigtige slags.
	Der er en blokering i brændstoffrankens dæksel.	Rengør brændstoffrankens dæksel.
	Der er vand eller snavs i brændstofsyste- met.	Tøm brændstoffranken. Fyld brændstoffranken op med nyt brændstof af den rigtige slags.
	Luftfilteret er tilstoppet.	Rens luftfilteret.
	Karburatoren skal justeres.	Lad en serviceforhandler justere karburatoren.
Motoren bliver for varm.	Motoroliestanden er for lav.	Påfyld motorolie.
	Luftstrømmen er ikke tilstrækkelig.	Rengør luftfilteret og luftfilterhuset.
	Karburatoren skal justeres.	Lad en serviceforhandler justere karburatoren.
Der sker fejltænding i motoren, når den kører ved høj hastighed.	Elektrodeafstanden i tændrøret er for lille.	Juster elektrodeafstanden.
Usædvanlig støj fra motoren under normal belastning.	Forkert type benzin.	Tøm brændstoffranken og karburatoren. Påfyld ny benzin. Se <i>Sådan påfyldes brændstof på side 55</i> . Hvis problemet fortsætter, skal du kontakte din lokale serviceforhandler.
Motoren fungerer ikke korrekt i tomgangshastighed.	Tændrøret er tilstoppet, defekt eller elektrodeafstanden er for stor.	Juster elektrodeafstanden, eller udskift tændrøret.
	Karburatoren skal justeres.	Juster karburatoren.
	Luftfilteret er tilstoppet.	Rens luftfilteret.

Transport, opbevaring og bortskaffelse

Transport og opbevaring

- Ved opbevaring og transport af produktet og brændstoffet, skal du sørge for, at der ikke er utætheder eller dampe. Gnister eller åben ild, f.eks. fra elektriske enheder eller kedler, kan starte en brand.
- Brug altid godkendte beholdere til opbevaring og transport af brændstof.
- Tøm brændstoffranken, inden du stiller produktet væk i en længere periode. Bortskaf brændstoffet på en lokal miljøstation.
- Fastgør produktet sikkert under transport for at undgå skader og uheld.

- Opbevar produktet i et aflåst område utilgængeligt for børn eller personer, som ikke er godkendt.
- Opbevar produktet på et tørt og frostfrit sted.

Bortskaffelse

- Overhold de lokale krav til genanvendelse og de gældende regler.
- Bortskaf alle kemikalier, som f.eks. motorolie eller brændstof, hos et servicecenter eller på en lokal miljøstation.
- Når produktet ikke længere er i brug, skal det sendes til en Husqvarna forhandler eller bortskaffes på en lokal genbrugsstation.

Tekniske data

Tekniske data

	LC 151	LC 151S	LB 251S	LB 256SP
Motor				
Varemærke	Husqvarna	Husqvarna	Husqvarna	Husqvarna
Motortype	1-cylindret, 4-takts fremmedkøling, OHV	1-cylindret, 4-takts fremmedkøling, OHV	1-cylindret, 4-takts fremmedkøling, OHV	1-cylindret, 4-takts fremmedkøling, OHV
Slagvolumen, cm ³	166	166	166	166
Hastighed, o/min.	2800	2800	2800	2800
Nominel motoreffekt, kW ²⁴	2,7	2,7	2,7	2,7
Tændingsystem				
Tændrør	Husqvarna HQT-7	Husqvarna HQT-7	Husqvarna HQT-7	Husqvarna HQT-7
Elektrodeafstand, mm	0,7-0,8	0,7-0,8	0,7-0,8	0,7-0,8
Brændstof-/smøresystem				
Motorsmøringstype	Splash	Splash	Splash	Splash
Brændstoftankvolumen, liter	1,0	1,0	1,0	1,0
Olietankens kapacitet, liter	0,5	0,5	0,5	0,5
Motorolie ²⁵	Husqvarna SAE 30	Husqvarna SAE 30	Husqvarna SAE 30	Husqvarna SAE 30
Vægt				
Med tomme tanke, kg	31,1	32,6	32,0	33,1
Støjemissioner²⁶				
Lydeffektniveau, målt, dB(A)	96	96	95	97
Lydeffektniveau, garanteret L _{WA} dB(A)	98	98	96	98
Lydniveauer²⁷				
Lydtryksniveau ved brugerens øre, dB(A)	86	86	82	86

²⁴ Motorens effektangivelse er den gennemsnitlige nettoeffekt (ved det anførte omdrejningstal) for en typisk produktionsmodel af motoren målt iht. SAE-standarden J1349/ISO1585. Motorer fra masseproduktionen kan afvige fra denne værdi. Den faktiske effekt på motoren, som monteres i det færdige produkt, vil afhænge af driftshastigheden, miljøhensyn og andre værdier.

²⁵ Hvis SAE-30-olien anvendes ved temperaturer under +5 °C, er der risiko for, at den ikke smører motoren tilstrækkeligt. Dette kan forårsage skader på motoren. Se *Sådan udskiftes motorolien på side 59* for den korrekte olie til lave temperaturer.

²⁶ Emission af støj til omgivelserne målt som lydeffekt (L_{WA}) i henhold til EF-direktiv 2000/14/EF.

²⁷ Rapporterede data for støjtryksniveau har en typisk statistisk spredning (standardafvigelse) på 1,2 dB (A).

	LC 151	LC 151S	LB 251S	LB 256SP
Vibrationsniveauer²⁸				
Vibrationer i styret, m/s ²	8,5	8,5	4,7	7,5
Skæreudstyr				
Klippehøjde, mm	25-75	25-75	25-75	25-75
Klippebredde, mm	510	510	510	560
Klippesystem	Opsamling / Bio-Clip® / sideudkast	Opsamling / Bio-Clip® / sideudkast	BioClip® / sideudkast	BioClip® / sideudkast
Klinge - standard	Opsamling 598562601	Opsamling 598562601	Bioklip 597683901	Bioklip 598563601
Klinge - tilbehør	Bioklip 597683901	Bioklip 597683901	–	–
Græsopsamlerens kapacitet, liter	65	65	–	–
Drev				
Selvkørende hastighed, km/t	–	3,6	4,0	3,6

²⁸ Rapporterede data for vibrationsniveau har en typisk statistisk spredning (standardafvigelse) på 0,2 m/s².

EU-overensstemmelseserklæring

EU-overensstemmelseserklæring

Husqvarna AB, SE-561 82 Huskvarna, Sverige, tlf.:
+46-36-146500 erklærer, at **plæneklipperen Husqvarna
LC 151, LC 151S, LB 251S, LB 256SP** fra 2020 og
fremerfter overholder forskrifterne i RÅDETS DIREKTIV:

- af den 8. juni 2011 angående "begrænsning af
anvendelsen af visse farlige stoffer" **2011/65/EU**
- af den 17. maj 2006 "angående maskiner"
2006/42/EF
- af den 26. februar 2014 "angående elektromagnetisk
kompatibilitet" **2014/30/EU**
- af den 8. maj 2000 "angående emission af støj til
omgivelserne" **2000/14/EF**

Oplysninger om støjafgivelse findes i de tekniske
specifikationer.

Der er anvendt følgende standarder:

**EN ISO 5395-1:2013, EN ISO 5395-1:2013/A1, EN ISO
5395-2:2013, EN ISO 5395-2:2013/A1:2016, EN ISO
5395-2:2013/A2:2017, EN ISO 14982:2009**

Hvis ikke andet er angivet, er de ovennævnte
standarder de senest udgivne versioner.

Bemyndiget organ (LC 151, LC 151S, LB 256SP): **0036,
TÜV SÜD Industrie Service GmbH, Westendstrasse
199, 80686 München, Germany** Har udført
overensstemmelsesvurdering i henhold til Bilag VI i
direktiv 2000/14/EF.

Bemyndiget organ (LB 251S): **0404, RISE SMP Svensk
Maskinprovning AB, Box 7035, SE-750 07 Uppsala,
Sweden** Har udført overensstemmelsesvurdering i
henhold til Bilag VI i direktiv 2000/14/EF.

Huskvarna, 2020-10-20



Claes Losdal, udviklingschef/haveprodukter (autoriseret
repræsentant for Husqvarna AB og ansvarlig for teknisk
dokumentation)

Inhalt

Einleitung.....	65	Fehlersuche am Motor.....	75
Sicherheit.....	66	Transport, Lagerung und Entsorgung.....	76
Montage.....	69	Technische Daten.....	78
Betrieb.....	70	EU-Konformitätserklärung.....	80
Wartung.....	72		

Einleitung

Gerätebeschreibung

Das Gerät ist ein handgeführter Rasenmäher. Befestigen Sie bei LC 151, LC 151S den Grasfänger, um den Grasschnitt aufzufangen. Bringen Sie das seitliche Auswurfprallblech für den Seitenauswurf des Grasschnittes an. Bringen Sie bei LC 151, LC 151S ein Mulch-Kit an, um das Gras in Dünger zu schneiden.

Geräteübersicht

(Abb. 1)

1. Lenker
2. Motorbremsgriff
3. Antriebsgriff (LC 151S, LB 256SP)
4. Antriebshebel (LB 251S)
5. Heckklappe (LC 151, LC 151S)
6. Grasfänger (LC 151, LC 151S)
7. Knöpfe zur Einstellung der Griffhöhe
8. Schnitthöhenhebel
9. Öldeckel und Messstab
10. Abdeckung Seitenauswurf
11. Schalldämpfer
12. Zündkerze
13. Vergaser
14. Kraftstofftankdeckel
15. Symbole
16. Schneidwerkabdeckung
17. Luftfilter
18. Seitliches Prallblech
19. Mulch-Kit (Zubehör für LC 151, LC 151S)
20. Startseilgriff
21. Bedienungsanleitung

Symbole auf dem Gerät

- (Abb. 2) **WARNUNG!** Gehen Sie vorsichtig vor, und verwenden Sie das Gerät ordnungsgemäß. Dieses Gerät kann schwere oder tödliche Verletzungen des Bedieners oder anderer Personen verursachen.

Verwendungszweck

Verwenden Sie das Gerät zum Schneiden von Gras. Verwenden Sie das Gerät nicht für andere Aufgaben.

- (Abb. 3) Lesen Sie die Bedienungsanleitung sorgfältig durch, und machen Sie sich vor der Benutzung mit dem Inhalt vertraut.
- (Abb. 4) Achten Sie auf hochgeschleuderte und abprallende Gegenstände.
- (Abb. 5) Andere Personen oder Tiere müssen sich in sicherem Abstand vom Arbeitsbereich befinden.
- (Abb. 6) **Warnung:** Halten Sie Hände und Füße von der rotierenden Klinge fern.
- (Abb. 7) **Warnung:** Halten Sie Hände und Füße von rotierenden Teilen fern.
- (Abb. 8) Schalten Sie vor der Durchführung von Reparatur- oder Wartungsarbeiten den Motor aus, und entfernen Sie das Zündkabel.
- (Abb. 9) Dieses Gerät stimmt mit den geltenden CE-Richtlinien überein.
- (Abb. 10) Umweltbelastende Geräuschemissionen gemäß der Richtlinie der Europäischen Gemeinschaft. Die Emission des Geräts ist im Abschnitt „Technische Daten“ und auf dem Geräteschild angegeben.
- (Abb. 11) Brandgefahr.
- (Abb. 12) Atmen Sie keine Abgase ein. Die Abgase des Motors enthalten Kohlenmonoxid, ein geruchloses, giftiges und sehr gefährliches Gas. Starten Sie den Motor nicht in

Innenräumen oder in geschlossenen Räumen.

(Abb. 13) Heiße Oberfläche.

(Abb. 14) Befüllen Sie den Motor mit Öl, bevor Sie das Gerät starten.

Hinweis: Weitere Symbole/Aufkleber auf dem Gerät beziehen sich auf die Zertifizierungsanforderungen für einige gewerbliche Bereiche.

Produkthaftung

Im Sinne der Produkthaftungsgesetze übernehmen wir keine Haftung für Schäden, die unser Gerät verursacht, wenn...

- das Gerät nicht ordnungsgemäß repariert wird.
- das Gerät mit Teilen repariert wird, die nicht vom Hersteller stammen oder nicht vom Hersteller zugelassen sind.
- ein Zubehörteil mit dem Gerät verwendet wird, das nicht vom Hersteller stammt oder nicht vom Hersteller zugelassen ist.
- das Gerät nicht bei einem zugelassenen Service Center oder von einem zugelassenen Fachmann repariert wird.

Emissionen nach Euro V



WARNING: Bei jeglichen Manipulationen des Motors erlischt die EU-Typgenehmigung für dieses Produkt.

Sicherheit

Sicherheitsdefinitionen

Warnungen, Vorsichtsmaßnahmen und Hinweise werden verwendet, um auf besonders wichtige Teile der Bedienungsanleitung hinzuweisen.



WARNUNG: Wird verwendet, wenn bei Nichtbeachtung der Anweisungen in diesem Handbuch die Gefahr von Verletzung oder Tod des Bedieners oder anderer Personen besteht.



ACHTUNG: Wird verwendet, wenn bei Nichtbeachtung der Anweisungen in diesem Handbuch die Gefahr von Schäden am Gerät, an anderen Materialien oder in der Umgebung besteht.

Hinweis: Für weitere Informationen, die in bestimmten Situationen nötig sind.

Allgemeine Sicherheitshinweise



WARNUNG: Lesen Sie die folgenden Warnhinweise, bevor Sie das Gerät benutzen.

- Dieses Gerät ist gefährlich, wenn es falsch bedient wird oder Sie unvorsichtig sind. Wenn die Sicherheitshinweise nicht befolgt werden, kann dies zu Verletzungen oder zum Tod führen.
- Dieses Gerät erzeugt beim Betrieb ein elektromagnetisches Feld. Dieses Feld kann sich unter bestimmten Bedingungen auf die Funktionsweise aktiver oder passiver medizinischer Implantate auswirken. Um die Gefahr von Situationen, die zu schweren oder tödlichen Verletzungen führen können, zu reduzieren, sollten Personen mit einem medizinischen Implantat vor der Nutzung dieses Geräts ihren Arzt und den Hersteller des Implantats konsultieren.
- Lassen Sie immer Vorsicht walten, und arbeiten Sie mit gesundem Menschenverstand. Wenn Sie sich nicht sicher sind, wie das Gerät in einer bestimmten Situation zu bedienen ist, unterbrechen Sie die Arbeit und wenden sich an Ihren Husqvarna Händler, bevor Sie fortfahren.
- Denken Sie daran, dass der Bediener für Unfälle mit anderen Personen oder deren Eigentum verantwortlich ist.
- Halten Sie das Gerät sauber. Stellen Sie sicher, dass Symbole und Aufkleber deutlich lesbar sind.
- Lassen Sie keine andere Person das Gerät verwenden, es sei denn, Sie haben sich zuvor vergewissert, dass diese Person den Inhalt der Bedienungsanleitung gelesen und verstanden hat.
- Lassen Sie nicht zu, dass Kinder das Gerät verwenden.
- Halten Sie Kinder vom Arbeitsbereich fern. Es muss immer ein verantwortlicher Erwachsener anwesend sein.
- Erlauben Sie nicht, dass Personen ohne Kenntnis der Anweisungen das Gerät bedienen.
- Stellen Sie sicher, dass Personen mit verminderter physischer oder psychischer Leistungsfähigkeit dieses Gerät nicht unbeobachtet verwenden. Es muss immer ein verantwortlicher Erwachsener anwesend sein.
- Verwenden Sie das Gerät nicht, wenn Sie müde oder krank sind oder unter Einfluss von Alkohol, Drogen oder Medikamenten stehen. Dies wirkt sich negativ auf Ihre Sehkraft, Ihre Aufmerksamkeit sowie Ihr Koordinations- und Urteilsvermögen aus.
- Verwenden Sie das Gerät nicht, wenn es defekt ist.
- Verändern oder verwenden Sie dieses Gerät nicht, wenn die Möglichkeit besteht, dass andere es verändert haben.

- Nehmen Sie keine Änderungen an der Einstellung der Motordrehzahlregelung vor.

Sicherheit im Arbeitsbereich



WARNUNG: Lesen Sie die folgenden Warnhinweise, bevor Sie das Gerät benutzen.

- Entfernen Sie Gegenstände wie Äste, Zweige und Steine aus dem Arbeitsbereich, bevor Sie das Produkt verwenden.
- Gegenstände, die auf die Schneidausrüstung treffen, können herausgeschleudert werden und Personen und Gegenständen Schaden zufügen. Halten Sie andere Personen und Tiere in einem sicheren Abstand zum Produkt.
- Benutzen Sie das Produkt niemals bei schlechtem Wetter wie Nebel, Regen, starkem Wind, intensiver Kälte und bei der Gefahr eines Blitzeinschlags. Die Verwendung des Produkts bei schlechtem Wetter oder an feuchten oder nassen Stellen ist anstrengend. Schlechtes Wetter kann gefährliche Zustände wie rutschige Oberflächen verursachen.
- Achten Sie auf Personen, Gegenstände und Situationen, die einen sicheren Betrieb des Produkts verhindern könnten.
- Achten Sie auf Hindernisse wie Wurzeln, Steine, Zweige, Löcher und Gräben. Langes Gras kann Hindernisse verdecken.
- Das Mähen von Gras an Steigungen kann gefährlich sein. Verwenden Sie das Produkt nicht in einem Gelände mit einer Neigung von mehr als 15°.
- Betreiben Sie das Produkt quer zum Hang. Bewegen Sie sich nicht nach oben und nach unten.
- Seien Sie vorsichtig, wenn Sie um versteckte Ecken oder Objekte herum fahren, die Ihre freie Sicht verhindern.

Arbeitssicherheit



WARNUNG: Lesen Sie die folgenden Warnhinweise, bevor Sie das Gerät benutzen.

- Verwenden Sie dieses Produkt nur zum Mähen von Rasenflächen. Es ist nicht erlaubt, das Produkt für andere Aufgaben zu verwenden.
- Benutzen Sie eine persönliche Schutzausrüstung. Siehe *Persönliche Schutzausrüstung auf Seite 67*.
- Stellen Sie sicher, dass Sie wissen, wie der Motor in einem Notfall schnell gestoppt werden kann.
- Starten Sie den Motor niemals in einem geschlossenen Raum oder in der Nähe von brennbarem Material. Die Motorabgase sind heiß und können Funken enthalten, die einen Brand verursachen können.
- Starten Sie das Produkt nicht, bevor die Klinge und alle Abdeckungen korrekt befestigt sind. Eine falsch

befestigte Klinge kann sich lösen und Personenschaden verursachen.

- Stellen Sie sicher, dass die Klinge nicht auf Gegenstände wie Steine und Wurzeln trifft. Dies kann die Klinge beschädigen und die Motorwelle verbiegen. Eine verbogene Achse führt zu starken Vibrationen und birgt ein hohes Risiko, dass die Klinge sich löst.
- Wenn die Klinge auf ein Objektiv trifft oder Vibrationen auftreten, müssen Sie das Produkt sofort abstellen. Ziehen Sie das Zündkabel von der Zündkerze ab. Untersuchen Sie das Produkt auf beschädigte Teile. Reparieren Sie Schäden oder lassen Sie einen autorisierten Kundendienst die Reparatur durchführen.
- Befestigen Sie die Motorbremse niemals fest am Griff, wenn der Motor läuft.
- Stellen Sie das Produkt auf eine stabile, flache Oberfläche und starten Sie es. Stellen Sie sicher, dass die Klinge nicht den Boden oder ein anderes Objekt berührt.
- Bleiben Sie immer hinter dem Produkt, wenn Sie es betreiben.
- Lassen Sie alle Räder auf dem Boden bleiben und halten Sie den Griff mit 2 Händen, wenn Sie das Produkt betreiben. Halten Sie Hände und Füße von den rotierenden Rasenmäherklingen fern.
- Kippen Sie das Produkt nicht, wenn der Motor läuft.
- Seien Sie vorsichtig, wenn Sie das Produkt nach hinten ziehen.
- Heben Sie das Produkt nicht hoch, wenn der Motor läuft. Wenn Sie das Produkt anheben müssen, schalten Sie zunächst den Motor aus und ziehen Sie das Zündkabel von der Zündkerze ab.
- Gehen Sie nicht rückwärts, wenn Sie das Produkt betreiben.
- Stellen Sie den Motor ab, wenn Sie sich über Bereiche ohne Gras bewegen, zum Beispiel Wege aus Kies, Stein und Asphalt.
- Rennen Sie nicht mit dem Produkt, wenn der Motor läuft. Gehen Sie immer, wenn Sie das Produkt benutzen.
- Stellen Sie den Motor ab, bevor Sie die Schnitthöhe verändern. Verändern Sie die Einstellungen niemals, wenn der Motor läuft.
- Lassen Sie das Produkt niemals aus den Augen, wenn der Motor läuft. Stellen Sie den Motor ab und stellen Sie sicher, dass sich die Schneidausrüstung nicht dreht.

Sicherheitshinweise für den Betrieb

Persönliche Schutzausrüstung



WARNUNG: Lesen Sie die folgenden Warnhinweise, bevor Sie das Gerät benutzen.

- Die persönliche Schutzausrüstung kann Verletzungen nicht vollständig vermeiden, vermindert aber den Umfang der Verletzungen und Schäden bei einem Unfall. Lassen Sie sich von Ihrem Händler bei der Auswahl der richtigen Ausrüstung unterstützen.
- Tragen Sie einen Gehörschutz, wenn der Geräuschpegel höher als 85 dB ist
- Tragen Sie rutschfeste Sicherheitstiefel oder -schuhe. Verwenden Sie keine offenen Schuhe, und gehen Sie nicht barfuß.
- Tragen Sie schwere, lange Hosen.
- Tragen Sie bei Bedarf Schutzhandschuhe, beispielsweise bei der Montage, der Untersuchung oder der Reinigung der Schneidausrüstung.

Sicherheitsvorrichtungen am Gerät



WARNUNG: Lesen Sie die folgenden Warnhinweise, bevor Sie das Gerät benutzen.

- Benutzen Sie kein Gerät mit defekten Sicherheitsvorrichtungen.
- Führen Sie regelmäßig eine Überprüfung der Sicherheitsvorrichtungen durch. Wenn die Sicherheitsvorrichtungen defekt sind, wenden Sie sich an Ihre Husqvarna-Servicewerkstatt.

So überprüfen Sie den Schneidschutz

Der Schneidschutz verringert Vibrationen im Gerät und das Verletzungsrisiko durch die Klinge.

- Untersuchen Sie die Schneidewerkabdeckung, um sicherzustellen, dass es keine Beschädigungen wie zum Beispiel Risse gibt.

So führen Sie eine Prüfung des Motorbremsgriffs durch

Der Motorbremsgriff stoppt den Motor. Wenn der Motorbremsgriff losgelassen wird, stoppt der Motor.

- Starten Sie den Motor, und lassen Sie den Motorbremsgriff los. Wenn der Motor nicht innerhalb von 3 Sekunden stoppt, lassen Sie die Motorbremse von einer autorisierten Husqvarna-Servicewerkstatt einstellen. (Abb. 15)

So prüfen Sie die hintere Abdeckung

Das hintere Prallblech verringert das Risiko, dass Gegenstände in Richtung des Bedieners ausgeworfen werden.

- Vergewissern Sie sich, dass die hintere Abdeckung nicht beschädigt ist.
- Stellen Sie sicher, dass die Federn, die die hintere Abdeckung schließen, nicht beschädigt sind.
- Ersetzen Sie beschädigte Federn und Teile.
- Stellen Sie sicher, dass sich die hintere Abdeckung problemlos an den Scharnieren bewegen lässt.

Schalldämpfer

Der Schalldämpfer senkt den Geräuschpegel so weit wie möglich und hält die Abgase des Motors vom Anwender fern.

Verwenden Sie das Gerät nicht, wenn der Schalldämpfer fehlt oder defekt ist. Ein defekter Schalldämpfer erhöht den Geräuschpegel und die Brandgefahr.



WARNUNG: Der Schalldämpfer wird während und nach Gebrauch und wenn der Motor im Leerlauf läuft, sehr heiß. Seien Sie in der Nähe von entzündlichen Materialien und/oder Dämpfen besonders vorsichtig, um Brandgefahr zu verhindern.

So prüfen Sie den Schalldämpfer

- Überprüfen Sie den Schalldämpfer regelmäßig, um sicherzustellen, dass er richtig angebracht und nicht beschädigt ist.

Sicherer Umgang mit Kraftstoff



WARNUNG: Lesen Sie die folgenden Warnhinweise, bevor Sie das Gerät benutzen.

- Starten Sie das Gerät nicht, wenn sich Kraftstoff oder Öl darauf befindet. Entfernen Sie den unerwünschten Kraftstoff bzw. das Öl und lassen Sie das Gerät trocknen.
- Wechseln Sie sofort die Kleidung, wenn Sie Kraftstoff darauf verschütten.
- Lassen Sie keinen Kraftstoff auf Ihren Körper gelangen, denn dies kann zu Verletzungen führen. Wenn Kraftstoff auf Ihre Haut gelangt, waschen Sie diesen mit Wasser und Seife ab.
- Starten Sie das Gerät nicht, wenn der Motor undicht ist. Überprüfen Sie den Motor regelmäßig auf Undichtigkeiten.
- Gehen Sie vorsichtig mit Kraftstoff um. Kraftstoff ist feuergefährlich, und die Dämpfe sind explosiv und können zu Verletzungen oder sogar zum Tod führen.
- Atmen Sie die Kraftstoffdämpfe nicht ein, denn sie sind gesundheitsschädigend. Achten Sie auf ausreichende Belüftung.
- Rauchen Sie nicht in der Nähe des Kraftstoffs oder des Motors.
- Stellen Sie keine heißen Gegenstände in der Nähe des Kraftstoffs oder Motors ab.
- Füllen Sie keinen Kraftstoff nach, während der Motor läuft.
- Vergewissern Sie sich, dass der Motor abgekühlt ist, bevor Sie Kraftstoff nachfüllen.
- Öffnen Sie vor dem Nachfüllen den Tankdeckel langsam und lassen Sie den Druck vorsichtig entweichen.

- Füllen Sie keinen Kraftstoff in den Motor, wenn Sie sich in einem Innenraum befinden. Eine mangelhafte Luftzirkulation kann zu schweren oder tödlichen Verletzungen durch Ersticken oder eine Kohlenmonoxidvergiftung führen.
- Schrauben Sie den Kraftstofftankdeckel fest zu. Wenn der Tankverschluss nicht fest zugeschraubt ist, besteht Feuergefahr.
- Bewegen Sie das Produkt vor dem Starten mindestens 3 m von der Stelle fort, an der Sie den Tank befüllt hatten.
- Füllen Sie den Kraftstofftank nicht vollständig auf. Durch Hitze dehnt sich der Kraftstoff aus. Lassen Sie deshalb einen Freiraum im oberen Bereich des Kraftstofftanks.
- Bevor Sie an dem Produkt eine Wartung durchführen, schalten Sie den Motor aus und ziehen Sie das Zündkabel von der Zündkerze ab.
- Tragen Sie Schutzhandschuhe, wenn Sie an der Schneidausrüstung eine Wartung durchführen. Die Klinge ist sehr scharf und man schneidet sich sehr leicht.
- Zubehörteile und Änderungen am Produkt, die vom Hersteller nicht genehmigt wurden, können zu schweren Verletzungen oder zum Tod führen. Verändern Sie das Produkt nicht. Verwenden Sie immer Teile, die vom Hersteller genehmigt wurden.
- Wenn die Wartung nicht ordnungsgemäß und regelmäßig erfolgt, erhöht sich die Verletzungsgefahr und das Risiko für eine Beschädigung des Produkts.
- Führen Sie die Wartung nur gemäß dieser Betriebsanleitung durch. Alle anderen Wartungsarbeiten müssen von einer autorisierten Husqvarna Servicewerkstatt durchgeführt werden.
- Lassen Sie eine autorisierte Husqvarna Servicewerkstatt das Produkt regelmäßig warten.
- Ersetzen Sie beschädigte, abgenutzte oder defekte Teile.

Sicherheitshinweise für die Wartung



WARNUNG: Lesen Sie die folgenden Warnhinweise, bevor Sie das Gerät benutzen.

- Die Abgase des Motors enthalten Kohlenmonoxid, ein geruchloses, giftiges und sehr gefährliches Gas. Starten Sie den Motor nicht in Innenräumen oder in geschlossenen Räumen.

Montage

Einleitung



WARNUNG: Vor dem Betrieb des Gerätes müssen Sie die Sicherheitsinformationen lesen und verstehen.



WARNUNG: Ziehen Sie den Zündkerzenstecker von der Zündkerze ab, bevor Sie das Gerät zusammenbauen.

So montieren Sie den Griff

1. Schieben Sie die Schraube (A) durch den Griff (B), die Kunststoffscheibe (C) und die Griffhalterung (D). (Abb. 16)
2. Ziehen Sie die Mutter (E) vollständig fest.
3. Schieben Sie die Schraube (F) durch die Scheibe (G) und die Griffhalterung. (Abb. 17)
4. Ziehen Sie den Knopf (H) vollständig fest.

So stellen Sie den Handgriff ein

1. Lösen Sie die unteren Knöpfe.
2. Schieben Sie die Knöpfe zum unteren Ende der Nuten an der linken und rechten Seite des Geräts. (Abb. 18)
3. Stellen Sie die Höhe des Griffs in einer der 2 verfügbaren Positionen ein.

4. Bewegen Sie die Knöpfe nach oben in Richtung Griff, bis sie den Anschlag erreichen und ein Klicken zu hören ist. (Abb. 19)
5. Ziehen Sie die Knöpfe vollständig fest.

So bringen Sie das Gerät in die Transportposition

1. Lösen Sie die unteren Knöpfe.
2. Schieben Sie die Knöpfe zum unteren Ende der Nuten an der linken und rechten Seite des Geräts. (Abb. 18)
3. Klappen Sie den Griff nach vorn. (Abb. 20)

So bringen Sie das Gerät in die Betriebsposition

1. Klappen Sie den Griff nach oben. (Abb. 21)
2. Bewegen Sie die Knöpfe nach oben in Richtung Griff, bis sie den Anschlag erreichen und ein Klicken zu hören ist. (Abb. 19)
3. Ziehen Sie die Knöpfe vollständig fest.

So montieren Sie den Grasfänger (LC 151, LC 151S)

1. Befestigen Sie den Rahmen des Grasfängers am Grasfangbeutel, sodass der starre Teil des Beutels nach unten weist. Sorgen Sie dafür, dass sich der

Rahmengriff stets außerhalb des Beutels befindet. (Abb. 22)

2. Befestigen Sie den Grasfangbeutel mit den Klammern am Rahmen. (Abb. 23)

Betrieb

Einleitung



WARNUNG: Vor dem Betrieb des Gerätes müssen Sie die Sicherheitsinformationen lesen und verstehen.

Husqvarna Connect

Husqvarna Connect ist eine kostenlose App für Ihr Mobilgerät. Die Husqvarna Connect App bietet erweiterte Funktionen für Ihr Gerät:

- Erweiterte Produktinformationen
- Informationen über Produktteile und -wartung sowie entsprechende Hilfe dazu.

So verwenden Sie Husqvarna Connect

1. Laden Sie die Husqvarna Connect App auf Ihr Mobiltelefon.
2. Anmeldung bei der Husqvarna Connect App.
3. Befolgen Sie die Anweisungen in der Husqvarna Connect App, um sich zu verbinden und das Gerät zu registrieren.

Bevor Sie das Produkt in Betrieb nehmen

1. Lesen Sie die Bedienungsanleitung sorgfältig durch, und vergewissern Sie sich, dass Sie die Anweisungen verstehen.
2. Untersuchen Sie die Schneidausrüstung, um sicherzustellen, dass sie ordnungsgemäß befestigt und eingestellt ist. Siehe *So prüfen Sie die Schneidausrüstung auf Seite 73*.
3. Füllen Sie es in den Kraftstofftank. Siehe *So füllen Sie Kraftstoff ein auf Seite 70*.
4. Füllen Sie den Öltank, und überprüfen Sie den Ölstand. Siehe *So prüfen Sie den Ölstand auf Seite 73*.

So füllen Sie Kraftstoff ein

Falls vorhanden, verwenden Sie schadstoffarmes Benzin/Alkylatbenzin. Wenn schadstoffarmes Benzin/Alkylatbenzin nicht verfügbar ist, verwenden Sie ein qualitativ hochwertiges, bleifreies Benzin oder verbleites Benzin mit einer Oktanzahl von mindestens 90.



ACHTUNG: Verwenden Sie kein Benzin mit einer geringeren Oktanzahl als 90 RON (87 AKI). Dadurch kann das Gerät beschädigt werden.

1. Öffnen Sie den Tankdeckel langsam, damit der Druck entweichen kann.

2. Füllen Sie langsam mit einem Kraftstoffkanister auf. Wenn Sie Kraftstoff verschütten, entfernen Sie ihn mit einem Tuch und lassen Sie den verbleibenden Treibstoff trocknen. (Abb. 24)
3. Säubern Sie den Bereich um den Tankdeckel herum.
4. Schrauben Sie den Kraftstofftankdeckel fest zu. Wenn der Tankdeckel nicht fest zugeschraubt ist, besteht Feuergefahr.
5. Bewegen Sie das Gerät vor dem Starten mindestens 3 m (10 ft) von der Stelle fort, an der Sie den Tank befüllt hatten.

So stellen Sie die Schnitthöhe ein

1. Bewegen Sie den Schnitthöhenhebel nach hinten, um die Schnitthöhe zu erhöhen.
2. Bewegen Sie den Schnitthöhenhebel nach vorne, um die Schnitthöhe zu verringern. (Abb. 25)



ACHTUNG: Stellen Sie die Schnitthöhe nicht zu niedrig ein. Die Klingen können auf den Boden treffen, wenn die Oberfläche des Rasens nicht eben ist.

So starten Sie das Gerät

1. Stellen Sie sicher, dass das Zündkabel mit der Zündkerze verbunden ist.
2. Halten Sie sich immer hinter dem Gerät auf.
3. Halten Sie den Motorbremsgriff gegen den Lenker. (Abb. 26)
4. Halten Sie den Startseilgriff mit Ihrer rechten Hand.
5. Ziehen Sie langsam das Startseil, bis Sie etwas Widerstand spüren.
6. Ziehen Sie kräftig, um den Motor anzulassen.



WARNUNG: Wickeln Sie das Startseil nicht um Ihre Hand.

So treiben Sie die Räder an LC 151S & LB 256SP

- Drücken Sie den Antriebsgriff in die Richtung des Lenkers. (Abb. 27)
- Lassen Sie den Antriebsgriff los, um den Antrieb zu deaktivieren, z. B. wenn Sie sich einem Hindernis nähern.
- Bevor Sie das Gerät nach hinten ziehen, kuppeln Sie den Antrieb aus und schieben das Gerät ca. 10 cm nach vorne.

So treiben Sie die Räder an (LB 251S)

- Ziehen Sie den Antriebshebel in die Richtung des Lenkers. (Abb. 28)
- Drücken Sie den Antriebshebel vom Lenker weg, um den Antrieb zu deaktivieren, z. B. wenn Sie sich einem Hindernis nähern.

Hinweis: Der Antrieb wird automatisch deaktiviert, sobald sie den Motorbremsgriff loslassen.

- Bevor Sie das Gerät nach hinten ziehen, drücken Sie den Antriebshebel vom Lenker weg und schieben das Gerät ca. 10 cm nach vorne, um den Antrieb vollständig zu deaktivieren.

So stoppen Sie das Gerät

- Um nur den Antrieb zu stoppen, lassen Sie den Antriebsgriff (LC 151S, LB 256SP) oder den Antriebshebel (LB 251S) los.
- Um den Motor zu stoppen, lassen Sie den Motorbremsgriff los.

So verwenden Sie das Gerät mit dem Grasfänger (LC 151, LC 151S)



WARNUNG: Bedienen Sie das Gerät nicht ohne Grasfänger oder mit geöffneter hinterer Abdeckung. Objekte können herausgeschleudert werden und den Bediener verletzen.

1. Heben Sie die hintere Abdeckung an, und entfernen Sie den Mulcheinsatz (sofern vorhanden). (Abb. 29)
2. Siehe *So montieren Sie den Grasfänger (LC 151, LC 151S) auf Seite 69* für Informationen zur Montage des Grasfängers.
3. Bringen Sie den Grasfänger auf der Halterung an.
4. Lösen Sie die hintere Abdeckung, und legen Sie sie auf den Rahmen des Grasfangbeutels. (Abb. 30)

So versetzen Sie das Gerät in den Mulchmodus (LC 151, LC 151S)

Stellen Sie sicher, dass der Motor ausgeschaltet ist, bevor Sie das Gerät in den Mulchmodus versetzen.

1. Heben Sie die hintere Abdeckung an, und entfernen Sie den Grasfänger (sofern vorhanden).
2. Setzen Sie den Mulcheinsatz in den Austrittskanal. (Abb. 31)
3. Schließen Sie die hintere Abdeckung, und stellen Sie sicher, dass sie dicht am Mulcheinsatz abschließt.

4. Ersetzen Sie die Klinge mit der Mulchklinge aus dem Mulchsatz. Siehe *So tauschen Sie das Messer aus auf Seite 73*.

So versetzen Sie das Gerät in den Modus „Seitenauswurf“

1. Heben Sie die hintere Abdeckung an, und entfernen Sie den Grasfangbeutel (sofern vorhanden).
2. Schließen Sie die hintere Abdeckung, und stellen Sie sicher, dass sie dicht am Gerät abschließt.
3. Heben Sie die Auswurfsperrung an. (Abb. 32)
4. Öffnen Sie den Abdeckung des Seitenauswurfs, und montieren Sie das seitliche Auswurfprallblech auf die Aufлагestifte. (Abb. 33)
5. Der Abdeckung des Seitenauswurfs muss mit dem seitlichen Auswurfprallblech abschließen. Stellen Sie sicher, dass das seitliche Auswurfprallblech fest sitzt, bevor Sie das Gerät in Betrieb nehmen.

So leeren Sie den Grasfänger



ACHTUNG: Heben Sie den Grasfänger an, wenn Sie ihn bewegen, um Verschleiß zu vermeiden.

1. Heben Sie den Grasfänger mit dem Rahmengriff an.
2. Verwenden Sie den Rahmengriff und den Beutelgriff, wenn Sie den Grasfänger leeren. (Abb. 34)

So erhalten Sie ein gutes Mähergebnis

- Benutzen Sie immer eine scharfe Klinge. Eine stumpfe Klinge liefert ein unregelmäßiges Ergebnis, und die Schnittfläche des Grases wird gelb. Eine scharfe Klinge verbraucht außerdem weniger Energie als eine stumpfe Klinge.
- Schneiden Sie nicht mehr als $\frac{1}{3}$ der Länge des Grases ab. Verwenden Sie die höchste Schnitthöhe, wenn Sie mit dem Schneiden des Grases beginnen. Überprüfen Sie das Ergebnis, und senken Sie die Schnitthöhe auf eine entsprechende Stufe. Wenn das Gras sehr lang ist, gehen Sie langsam vor, und mähen Sie bei Bedarf zweimal.
- Mähen Sie bei jedem Mal in eine andere Richtung, um Streifen auf dem Rasen zu vermeiden.
- Heben Sie die hintere Abdeckung an, und entfernen Sie den Grasfänger.
- Wenn ein Mulcheinsatz und eine Mulchklinge angebracht sind, entfernen Sie diese.
- Schließen Sie die hintere Abdeckung, bevor Sie das Gerät verwenden. Wenn Sie das Gerät verwenden, wird das geschnittene Gras unterhalb der hinteren Abdeckung ausgeworfen.

Wartung

Einleitung



WARNUNG: Bevor Sie eine Wartung durchführen, müssen Sie das Kapitel über die Sicherheit lesen und verstehen.

Für alle Wartungs- und Reparaturarbeiten am Produkt ist eine spezielle Schulung erforderlich. Wir garantieren die Verfügbarkeit von professionellen Reparaturen und Wartungsarbeiten. Wenn Ihr Händler keine Servicewerkstatt ist, sprechen Sie mit ihm, um Informationen über die nächste Servicewerkstatt zu erhalten.

Wartungsplan



ACHTUNG: Stellen Sie sicher, dass der Luftfilter nach oben und nicht zum Boden hin ausgerichtet ist, wenn Sie das Gerät schräg stellen. Risiko von Motorschäden.

Die Wartungsintervalle werden anhand der täglichen Nutzung des Geräts berechnet. Die Intervalle ändern sich, wenn das Gerät nicht täglich verwendet wird.

Für Wartungsarbeiten, die mit * gekennzeichnet sind, siehe Anweisungen unter *Sicherheitsvorrichtungen am Gerät auf Seite 68*.

Wartungspunkt	Täglich	Monatlich	Zu jeder Jahreszeit
Eine allgemeine Inspektion durchführen	X		
Den Ölstand prüfen	X		
Das Öl wechseln (erstmalig nach 5 Betriebsstunden, danach alle 50 Betriebsstunden) ²⁹			X
Das Gerät reinigen	X		
Die Schneidausrüstung prüfen	X		
Die Schneidwerkabdeckung prüfen *	X		
Den Motorbremsgriff prüfen*	X		
Den Schalldämpfer prüfen *		X	
Die Zündkerze prüfen. Die Zündkerze bei Bedarf reinigen oder ersetzen			X
Den Luftfilter prüfen	X		
Den Luftfilter reinigen ³⁰		X	
Den Luftfilter ersetzen			X
Den Kraftstofffilter prüfen			X
Die Zylinderkühlrippen reinigen		X	
Das Kupplungskabel prüfen und einstellen (LC 151S, LB 251S, LB 256SP)			X
Den Bereich unter der Getriebeabdeckung reinigen (LB 251S)			X

²⁹ Wenn das Gerät mit hoher Last oder bei hohen Umgebungstemperaturen betrieben wird, das Motoröl alle 25 Betriebsstunden wechseln.

³⁰ Bei staubigen Bedingungen oder Schmutzpartikeln in der Luft häufiger reinigen. Den Luftfilter bei starker Verschmutzung ersetzen.

So führen Sie eine allgemeine Inspektion durch

- Stellen Sie sicher, dass alle Muttern und Schrauben am Gerät richtig angezogen sind.

So reinigen Sie das Produkt außen

- Verwenden Sie einen Pinsel, um Blätter, Gras und Schmutz zu entfernen.
- Achten Sie darauf, dass der Lufteinlass auf der Oberseite des Motors nicht blockiert ist.
- Reinigen Sie das Gerät nicht mit einem Hochdruckreiniger.
- Wenn Sie Wasser verwenden, um das Produkt zu reinigen, bringen Sie das Wasser nicht direkt auf den Motor auf.

So reinigen Sie die Innenseite der Schneidwerkabdeckung

1. Leeren Sie den Kraftstofftank.
2. Kippen Sie das Gerät. Stellen Sie sicher, dass die Zündkerze nach oben gerichtet ist.



ACHTUNG: Wenn das Gerät mit dem Luftfilter nach unten gelegt wird, kann der Motor beschädigt werden.

3. Spritzen Sie die Innenfläche der Schneidwerkabdeckung mit dem Wasserschlauch ab.

So reinigen Sie den Bereich unter der Getriebeabdeckung (LB 251S)

1. Leeren Sie den Kraftstofftank.
2. Kippen Sie das Gerät. Stellen Sie sicher, dass die Zündkerze nach oben gerichtet ist.



ACHTUNG: Wenn das Gerät mit dem Luftfilter nach unten gelegt wird, kann der Motor beschädigt werden.

3. Entfernen Sie die 7 Schrauben. (Abb. 35)
4. Entfernen Sie die Getriebeabdeckung.
5. Reinigen Sie die Oberfläche mit einer Bürste.



ACHTUNG: Wasser oder Verunreinigungen unter der Getriebeabdeckung können das Getriebe beschädigen.

6. Installieren Sie die Getriebeabdeckung und die 7 Schrauben.

So prüfen Sie die Schneidaustrüstung



WARNUNG: Um ein unbeabsichtigtes Starten zu vermeiden, entfernen Sie das Zündkabel von der Zündkerze.



WARNUNG: Tragen Sie Schutzhandschuhe, wenn Sie an der Schneidaustrüstung eine Wartung durchführen. Die Klinge ist sehr scharf und man schneidet sich sehr leicht.

1. Prüfen Sie die Schneidaustrüstung auf Beschädigungen oder Risse. Wechseln Sie eine beschädigte Schneidaustrüstung unbedingt aus.
2. Schauen Sie sich die Klinge an, um festzustellen, ob sie beschädigt oder stumpf ist.

Hinweis: Nach dem Schärfen muss die Klinge ausbalanciert werden. Lassen Sie eine Servicewerkstatt die Klinge schärfen, ersetzen und ausbalancieren. Wenn Sie auf ein Hindernis treffen, das das Produkt zum Halten bringt, ersetzen Sie die beschädigte Klinge. Lassen Sie die Werkstatt beurteilen, ob die Klinge geschliffen werden kann oder ersetzt werden muss.

So tauschen Sie das Messer aus

1. Arretieren Sie die Klinge mit einem Holzblock. (Abb. 36)
2. Entfernen Sie den Bolzen der Klinge.
3. Entfernen Sie die Klinge.
4. Prüfen Sie die Halterung und den Bolzen der Klinge, um festzustellen, ob Beschädigungen vorliegen.
5. Prüfen Sie die Motorwelle, um sicherstellen, dass sie nicht geknickt ist.
6. Wenn Sie die neue Klinge montieren, zeigen die abgewinkelten Enden der Klinge in die Richtung der Schneidwerkabdeckung. (Abb. 37)
7. Stellen Sie sicher, dass das Messer mit der Mitte der Motorwelle ausgerichtet ist.
8. Arretieren Sie die Klinge mit einem Holzblock. Befestigen Sie die Federscheibe und ziehen Sie die Schraube und die Unterlegscheibe mit einem Drehmoment von 43 – 47 Nm an. (Abb. 38)
9. Drehen Sie die Klinge mit der Hand, um sicherzustellen, dass sie sich einwandfrei dreht.



WARNUNG: Tragen Sie Sicherheitshandschuhe. Die Klinge ist sehr scharf und man schneidet sich sehr leicht.

10. Starten Sie das Produkt, um die Klinge zu prüfen. Wenn die Klinge nicht richtig befestigt ist, gibt es im Produkt Vibrationen oder das Schneidergebnis ist unbefriedigend.

So prüfen Sie den Ölstand



ACHTUNG: Ein zu niedriger Ölstand kann den Motor beschädigen. Prüfen Sie den Ölstand, bevor Sie das Produkt starten.

1. Stellen Sie das Produkt auf einer ebenen Fläche ab.

2. Entfernen Sie den Öltankverschluss mit dem beigefügten Messstab.
3. Reinigen Sie den Messstab von Öl.
4. Tauchen Sie den Messstab vollständig in den Ölbehälter ein, um ein korrektes Bild über den Ölstand zu erhalten.
5. Entfernen Sie den Messstab.
6. Prüfen Sie den Ölstand am Messstab.
7. Wenn der Ölstand zu niedrig ist, füllen Sie Motoröl ein, und kontrollieren Sie den Ölstand erneut.

korrekt ist, siehe *Technische Daten auf Seite 78*. (Abb. 40)

- Tauschen Sie die Zündkerze bei Bedarf aus.

Luftfilter

Ein verschmutzter Luftfilter kann dazu führen, dass der Motor beschädigt wird oder nicht ordnungsgemäß funktioniert. Warten Sie den Luftfilter bei staubigen Bedingungen häufiger. Informationen darüber, wann Sie den Luftfilter ersetzen müssen, finden Sie unter *Wartung auf Seite 72*.

Hinweis: Ersetzen Sie einen beschädigten Luftfilter in jedem Fall.

So entfernen und installieren Sie den Luftfilter



WARNUNG: Tragen Sie stets Schutzhandschuhe.

1. Drücken Sie die Clips am Luftfilterdeckel.
2. Entfernen Sie den Luftfilterdeckel (A) vorsichtig vom Motor.
3. Nehmen Sie den Luftfilter heraus. (Abb. 41)
4. Überprüfen Sie den Luftfilter auf Schäden. Ersetzen Sie beschädigte Luftfilter.
5. Reinigen Sie den Luftfilter, und untersuchen sie ihn. Siehe *So reinigen Sie den Luftfilter auf Seite 74*.
6. Die Montage erfolgt in umgekehrter Reihenfolge.

So reinigen Sie den Luftfilter

Ein verschmutzter Luftfilter kann dazu führen, dass der Motor beschädigt wird oder nicht ordnungsgemäß funktioniert. Warten Sie den Luftfilter bei staubigen Bedingungen häufiger.

Informationen darüber, wann Sie den Luftfilter ersetzen müssen, finden Sie in *Wartung auf Seite 72*.

1. Nehmen Sie den Luftfilterdeckel ab, und entfernen Sie den Luftfilter.
2. Reinigen Sie den Filter, indem Sie ihn gegen eine flache Oberfläche klopfen. Reinigen Sie den Filter nicht mit einem petroleumhaltigen Lösungsmittel, mit Kerosin oder mit Druckluft.

Hinweis: Luftfilter, die über einen langen Zeitraum verwendet werden, können nicht vollständig gereinigt werden. Tauschen Sie den Luftfilter in regelmäßigen Abständen aus. Beschädigte Luftfilter sind immer auszuwechseln.

3. Achten Sie beim Zusammenbau des Luftfilters darauf, dass er den Luftfilterhalter vollständig abdichtet.

So tauschen Sie das Motoröl aus



WARNUNG: Das Motoröl ist direkt nach dem Abstellen des Motors sehr heiß. Lassen Sie den Motor abkühlen, bevor Sie das Motoröl ablassen. Wenn Sie Motoröl auf Ihre Haut verschütten, reinigen Sie sie mit Wasser und Seife.

(Abb. 39)

1. Arbeiten Sie so lange mit dem Gerät, bis der Tank leer ist.
2. Trennen Sie das Zündkabel von der Zündkerze.
3. Entfernen Sie den Öltankdeckel.
4. Stellen Sie einen Behälter unter das Gerät, um das Motoröl aufzufangen.
5. Kippen Sie das Gerät, um das Öl aus dem Öltank ablaufen zu lassen.
6. Füllen Sie ein Motoröl des Typs ein, der unter *Technische Daten auf Seite 78* empfohlen wird.
7. Prüfen Sie den Ölstand. Siehe *So prüfen Sie den Ölstand auf Seite 73*.

So überprüfen Sie die Zündkerze



ACHTUNG: Verwenden Sie stets den vom Hersteller empfohlenen Zündkerzentyp! Die Verwendung eines falschen Zündkerzentyps kann zu Schäden am Gerät führen.

- Überprüfen Sie die Zündkerze, wenn der Motor nur schwache Leistung bringt, sich nur schwer starten lässt oder im Leerlauf nicht ordnungsgemäß funktioniert.
- Wenn Sie diese Anweisungen befolgen, verringern Sie die Gefahr von unerwünschtem Material an den Elektroden der Zündkerze:
 - a) Stellen Sie sicher, dass die Leerlaufdrehzahl richtig eingestellt ist.
 - b) Vergewissern Sie sich, dass das Kraftstoffgemisch korrekt ist.
 - c) Vergewissern Sie sich, dass der Luftfilter sauber ist.
- Ist die Zündkerze verschmutzt, so ist sie zu reinigen; gleichzeitig ist zu prüfen, ob der Elektrodenabstand

So prüfen Sie das seitliche Auswurfprallblech

Das seitliche Auswurfprallblech ist an der seitlichen Auswurföffnung des Geräts angebracht. Es verringert die Gefahr, dass Gegenstände in die Richtung der Mähposition des Bedieners ausgeworfen werden.

1. Vergewissern Sie sich, dass das seitliche Auswurfprallblech nicht beschädigt ist.
2. Untersuchen Sie das seitliche Auswurfprallblech. Stellen Sie sicher, dass keine Schäden zu sehen sind, z. B. Risse oder gebrochene Federn, durch die die Tür zugedrückt wird.
3. Ersetzen Sie das seitliche Auswurfprallblech oder die Federn, wenn sie beschädigt sind.

So prüfen Sie die Kraftstoffanlage

- Prüfen Sie den Kraftstofftankdeckel und die Dichtung für den Tankdeckel, um sicherzustellen, dass keine Beschädigungen vorliegen.
- Untersuchen Sie den Kraftstoffschlauch, um sicherzustellen, dass keine undichten Stellen vorhanden sind. Wenn der Schlauch beschädigt ist, lassen Sie ihn durch eine Servicewerkstatt austauschen.

So passen Sie das Kupplungsseil an (LC 151S, LB 251S, LB 256SP)

In nachfolgenden Situationen muss die Länge des Kupplungsseils verringert werden:

- Der Antrieb der Räder wird nicht aktiviert, wenn Sie am Antriebsgriff oder am Drehzahlregelungshebel ziehen.
- Das Gerät bewegt sich langsam, wenn der Antrieb der Räder aktiviert ist.

In den nachfolgenden Situationen muss die Länge des Kupplungsseils verlängert werden:

- Das Gerät bewegt sich, wenn der Antrieb der Räder nicht aktiviert ist.
- Passen Sie das Kupplungsseil an.
 - a) Um die Länge des Kupplungsseils zu verringern, drehen Sie die Stellschraube gegen den Uhrzeigersinn.
 - b) Um die Länge des Kupplungsseils zu vergrößern, drehen Sie die Stellschraube im Uhrzeigersinn. (Abb. 42)

Wenn das Gerät auch nach den Anpassungen nicht zufriedenstellend läuft, wenden Sie sich an Ihren Servicehändler.

Fehlersuche am Motor

Störung	Mögliche Ursache	Lösung
Der Motor springt nicht an.	Das Zündkabel ist nicht richtig angeschlossen.	Das Zündkabel an die Zündkerze anschließen.
	Der Kraftstofftank ist leer.	Den Kraftstofftank mit dem richtigen Kraftstofftyp auffüllen.
	Der Kraftstoff ist alt.	Den Kraftstofftank und den Vergaser leeren. Frischen Kraftstoff nachfüllen.
	Es befindet sich Schmutz im Vergaser oder in der Kraftstoffleitung.	Den Vergaser bzw. die Kraftstoffleitung reinigen.
	Die Zündkerze ist defekt.	Den Elektrodenabstand korrigieren und die Zündkerze reinigen oder ersetzen.
	An der Zündkerze befindet sich Kraftstoff.	Die Zündkerze reinigen.
Der Motor stoppt nicht.	Die Arretierung ist defekt.	Das Zündkabel von der Zündkerze abziehen. Die Reparatur von einer autorisierten Servicewerkstatt durchführen lassen.

Störung	Mögliche Ursache	Lösung
Der Motor läuft nicht rund.	Das Zündkabel ist nicht richtig angeschlossen.	Das Zündkabel an die Zündkerze anschließen.
	Es befindet sich Schmutz in der Kraftstoffleitung, oder der Kraftstoff ist abgelaufen.	Die Kraftstoffleitung reinigen. Den Kraftstofftank mit frischem Kraftstoff des richtigen Typs auffüllen.
	Der Kraftstofftankdeckel ist verstopft.	Den Kraftstofftankdeckel reinigen.
	Es befindet sich Wasser oder Schmutz im Kraftstoffsystem.	Den Kraftstofftank leeren. Den Kraftstofftank mit frischem Kraftstoff des richtigen Typs auffüllen.
	Der Luftfilter ist verschmutzt.	Den Luftfilter reinigen.
	Der Vergaser muss eingestellt werden.	Den Vergaser von einem Servicehändler einstellen lassen.
Der Motor wird zu heiß.	Der Motorölstand ist zu niedrig.	Motoröl nachfüllen.
	Der Luftstrom ist zu schwach.	Den Luftfilter und das Luftfiltergehäuse reinigen.
	Der Vergaser muss eingestellt werden.	Den Vergaser von einem Servicehändler einstellen lassen.
Es kommt zu Fehlzündungen, wenn der Motor bei hoher Drehzahl läuft.	Der Elektrodenabstand in der Zündkerze ist zu gering.	Den Elektrodenabstand einstellen.
Ungewöhnliche Motorgeräusche bei normaler Belastung.	Falscher Kraftstofftyp.	Den Kraftstofftank und den Vergaser leeren. Frischen Kraftstoff nachfüllen. Siehe <i>So füllen Sie Kraftstoff ein auf Seite 70</i> . Wenn das Problem weiterhin besteht, einen Servicehändler vor Ort kontaktieren.
Der Motor läuft bei Leerlaufdrehzahl nicht gleichmäßig.	Die Zündkerze ist verschmutzt oder beschädigt, oder der Elektrodenabstand ist zu groß.	Den Elektrodenabstand korrigieren oder eine andere Zündkerze verwenden.
	Der Vergaser muss eingestellt werden.	Den Vergaser einstellen.
	Der Luftfilter ist verschmutzt.	Den Luftfilter reinigen.

Transport, Lagerung und Entsorgung

Transport und Lagerung

- Für die Lagerung und den Transport des Produkts und des Kraftstoffs ist darauf zu achten, dass keine Lecks oder Dämpfe vorhanden sind. Funken oder offene Flammen, zum Beispiel von elektrischen Geräten oder einem Boiler, können ein Feuer auslösen.
- Verwenden Sie für die Lagerung und den Transport von Kraftstoff immer zugelassene Behälter.
- Leeren Sie den Kraftstofftank, bevor Sie das Produkt über einen längeren Zeitraum einlagern. Entsorgen Sie den Kraftstoff in einer geeigneten Abfallentsorgungsstelle.

- Sichern Sie das Produkt während des Transports ab, um Schäden und Unfälle zu vermeiden.
- Bewahren Sie das Produkt in einem verschlossenen Bereich auf, um einen unerlaubten Zugriff durch Kinder oder andere Personen zu verhindern.
- Bewahren Sie das Produkt an einem trockenen und frostfreien Raum auf.

Entsorgung

- Befolgen Sie die örtlichen Recyclinganforderungen und geltenden Vorschriften.

- Entsorgen Sie alle Chemikalien, z. B. Motoröl oder Kraftstoff, in einer Servicewerkstatt oder in einer geeigneten Abfallentsorgungsstelle.
- Wenn Sie das Produkt nicht mehr benutzen, senden Sie es an einen Husqvarna Händler oder entsorgen Sie es in einer Wiederverwertungsanlage.

Technische Daten

Technische Daten

	LC 151	LC 151S	LB 251S	LB 256SP
Motor				
Marke	Husqvarna	Husqvarna	Husqvarna	Husqvarna
Motortyp	Einzylinder, 4-Takt, Zwangsluftkühlung, OHV	Einzylinder, 4-Takt, Zwangsluftkühlung, OHV	Einzylinder, 4-Takt, Zwangsluftkühlung, OHV	Einzylinder, 4-Takt, Zwangsluftkühlung, OHV
Hubraum, cm ³	166	166	166	166
Drehzahl, U/min	2.800	2.800	2.800	2.800
Nennleistung des Motors, kW ³¹	2,7	2,7	2,7	2,7
Zündanlage				
Zündkerze	Husqvarna HQT-7	Husqvarna HQT-7	Husqvarna HQT-7	Husqvarna HQT-7
Elektrodenabstand, mm	0,7-0,8	0,7-0,8	0,7-0,8	0,7-0,8
Kraftstoff- und Schmiersystem				
Motorschmiertyp	Splash	Splash	Splash	Splash
Kraftstofftank, Volumen, Liter	1,0	1,0	1,0	1,0
Öltankvolumen, Liter	0,5	0,5	0,5	0,5
Motoröl ³²	Husqvarna SAE 30	Husqvarna SAE 30	Husqvarna SAE 30	Husqvarna SAE 30
Gewicht				
Mit leeren Tanks, kg	31,1	32,6	32,0	33,1
Geräuschemissionen³³				
Schalleistungspegel, gemessen, dB (A)	96	96	95	97
Schalleistungspegel, garantiert L _{WA} dB (A)	98	98	96	98

³¹ Die Nennleistung des Motors ist die durchschnittlich nach SAE-Standard J1349/ISO1585 gemessene Nettoleistung eines typischen Produktionsmotors, die (bei einer bestimmten Drehzahl) an das Motormodell abgegeben wird. Motoren für die Massenproduktion können von diesem Wert abweichen. Die tatsächliche Ausgangsleistung des eingebauten Motors hängt von der Betriebsdrehzahl, den Umgebungsbedingungen und anderen Werten ab.

³² Wird SAE-30-Öl bei Temperaturen unter +5 °C verwendet, besteht die Gefahr, dass der Motor nicht ausreichend geschmiert wird. Dadurch können schwere Motorschäden entstehen. Hinweise zur Verwendung des richtigen Öls bei niedrigen Temperaturen finden Sie unter *So tauschen Sie das Motoröl aus auf Seite 74*.

³³ Umweltbelastende Geräuschemissionen, gemessen als Schalleistung (L_{WA}) gemäß EG-Richtlinie 2000/14/EG.

	LC 151	LC 151S	LB 251S	LB 256SP
Schallpegel³⁴				
Schalldruckpegel am Ohr des Bedieners, dB (A)	86	86	82	86
Vibrationspegel³⁵				
Vibrationen Lenker, m/s ²	8,5	8,5	4,7	7,5
Schneidausrüstung				
Schnitthöhe, mm	25-75	25-75	25-75	25-75
Schnittbreite, mm	510	510	510	560
Schneidsystem	Fangsack/Bio-Clip®/Seitenauswurf	Fangsack/Bio-Clip®/Seitenauswurf	BioClip®/Seitenauswurf	BioClip®/Seitenauswurf
Klinge – Standard	Fangsack 598562601	Fangsack 598562601	Mulch 597683901	Mulch 598563601
Klinge – Zubehör	Mulch 597683901	Mulch 597683901	–	–
Grasfängervolumen, Liter	65	65	–	–
Antrieb				
Eigene Gehgeschwindigkeit, km/h	–	3,6	4,0	3,6

³⁴ Berichten zufolge liegt der Schalldruckpegel normalerweise bei einer Ausbreitungsklasse (Standardabweichung) von 1,2 dB (A).

³⁵ Berichten zufolge liegt der Vibrationspegel normalerweise bei einer Ausbreitungsklasse (Standardabweichung) von 0,2 m/s².

EU-Konformitätserklärung

EU-Konformitätserklärung

Husqvarna AB, SE-561 82 Huskvarna, Schweden, Tel.: +46-36-146500 versichert, dass der **Rasenmäher Husqvarna LC 151, LC 151S, LB 251S, LB 256SP** ab dem Jahr 2020 den Vorschriften folgender RICHTLINIE DES RATES entspricht:

- Richtlinie zur „Beschränkung der Verwendung bestimmter gefährlicher Stoffe“, **2011/65/EU** vom 8. Juni 2011
- „Maschinenrichtlinie“ **2006/42/EG** vom 17. Mai 2006
- Richtlinie „über elektromagnetische Verträglichkeit“, **2014/30/EU** vom 26. Februar 2014
- „Richtlinie über umweltbelastende Geräuschemissionen von zur Verwendung im Freien vorgesehenen Geräten und Maschinen“ **2000/14/EG** vom 8. Mai 2000

Informationen zu Geräuschemissionen finden Sie in den technischen Daten.

Die folgenden Normen werden erfüllt:

EN ISO 5395-1:2013, EN ISO 5395-1:2013/A1, EN ISO 5395-2:2013, EN ISO 5395-2:2013/A1:2016, EN ISO 5395-2:2013/A2:2017, EN ISO 14982:2009

Sofern nicht anders angegeben, entsprechen die oben genannten Normen den neuesten veröffentlichten Versionen.

Benannte Stelle (LC 151, LC 151S, LB 256SP): **0036, TÜV SÜD Industrie Service GmbH, Westendstrasse 199, 80686 München, Germany** hat eine Konformitätsbewertung gemäß Anhang VI der Richtlinie 2000/14/EG durchgeführt.

Benannte Stelle (LB 251S): **0404, RISE SMP Svensk Maskinprovning AB, Box 7035, SE-750 07 Uppsala, Sweden** hat eine Konformitätsbewertung gemäß Anhang VI der Richtlinie 2000/14/EG durchgeführt.

Huskvarna, 2020-10-20



Claes Losdal, Entwicklungsleiter/Gartenprodukte
(Bevollmächtigter Vertreter für Husqvarna AB,
verantwortlich für die technische Dokumentation)

Περιεχόμενα

Εισαγωγή.....	81	Αντιμετώπιση προβλημάτων κινητήρα.....	92
Ασφάλεια.....	82	Μεταφορά, αποθήκευση και απόρριψη.....	93
Συναρμολόγηση.....	85	Τεχνικά στοιχεία.....	94
Λειτουργία.....	86	Δήλωση Συμμόρφωσης ΕΚ.....	96
Συντήρηση.....	88		

Εισαγωγή

Περιγραφή προϊόντος

Το προϊόν είναι ένα χλοοκοπτικό γκαζόν πεζού χειριστή με κύλινδρο. Για τα LC 151, LC 151S, τοποθετήστε το συλλέκτη χόρτου για τη συλλογή του χόρτου. Τοποθετήστε τον εκτροπέα πλευρικής εξαγωγής για την πλευρική εξαγωγή του χόρτου. Για τα LC 151, LC 151S,

συνδέστε ένα κιτ κοπής χορτολιπάσματος για κοπή του γρασιδιού σε λίπασμα.

Προβλεπόμενη χρήση

Χρησιμοποιήστε το προϊόν για την κοπή γρασιδιού. Μην χρησιμοποιείτε το προϊόν για άλλες εργασίες.

Επισκόπηση προϊόντος

(Εικ. 1)

1. Τιμόνι
2. Λαβή φρένου κινητήρα
3. Ασφάλεια κίνησης (LC 151S, LB 256SP)
4. Μοχλός μετάδοσης κίνησης (LB 251S)
5. Πίσω κάλυμμα (LC 151, LC 151S)
6. Συλλέκτης χόρτου (LC 151, LC 151S)
7. Χειρόβιδες ύψους λαβής
8. Μοχλός ρύθμισης του ύψους κοπής
9. Τάπα λαδιού και δείκτης στάθμης
10. Κάλυμμα πλευρικής εξαγωγής
11. Εξάτμιση (σιγαστήρας)
12. Μπουζί
13. Καρμπυρατέρ
14. Τάπα ντεπόζιτου καυσίμου
15. Σύμβολα
16. Κάλυμμα κοπής
17. Φίλτρο αέρα
18. Πλευρικός εκτροπέας
19. Κιτ κοπής χορτολιπάσματος (παρελκόμενο για LC 151, LC 151S)
20. Λαβή κορδονιού συστήματος εκκίνησης
21. Εγχειρίδιο χρήσης

Σύμβολα στο προϊόν

- (Εικ. 2) **ΠΡΟΕΙΔΟΠΟΙΗΣΗ!** Να είστε προσεκτικοί και να χρησιμοποιείτε το προϊόν σωστά. Αυτό το προϊόν μπορεί να προκαλέσει σοβαρό τραυματισμό ή θάνατο του χειριστή ή άλλων ατόμων.
- (Εικ. 3) Προτού χρησιμοποιήσετε το προϊόν, διαβάστε το εγχειρίδιο χρήσης προσεκτικά

και βεβαιωθείτε ότι έχετε κατανοήσει τις οδηγίες.

- (Εικ. 4) Προσέχετε για αντικείμενα που μπορεί να εκτοξευθούν ή να εξοστρακιστούν.

- (Εικ. 5) Διατηρήστε τα άλλα άτομα και τα ζώα σε απόσταση ασφαλείας από την περιοχή εργασίας.

- (Εικ. 6) Προειδοποίηση: Να διατηρείτε τα χέρια και τα πόδια σας μακριά από την περιστρεφόμενη λεπίδα.

- (Εικ. 7) Προειδοποίηση: Να διατηρείτε τα χέρια και τα πόδια σας μακριά από κινούμενα μέρη.

- (Εικ. 8) Προτού πραγματοποιήσετε εργασίες επισκευής ή συντήρησης, σταματήστε τον κινητήρα και αφαιρέστε το καλώδιο ανάφλεξης ηλεκτρονικής.

- (Εικ. 9) Αυτό το προϊόν συμμορφώνεται με τις ισχύουσες οδηγίες ΕΚ.

- (Εικ. 10) Εκπομπές θορύβου στο περιβάλλον σύμφωνα με την Οδηγία της Ευρωπαϊκής Κοινότητας. Οι εκπομπές του προϊόντος ορίζονται στο κεφάλαιο "Τεχνικά στοιχεία", καθώς και στην πινακίδα του.

- (Εικ. 11) Κίνδυνος πυρκαγιάς.

- (Εικ. 12) Μην εισπνέετε τις αναθυμιάσεις της εξάτμισης. Οι αναθυμιάσεις της εξάτμισης από τον κινητήρα περιέχουν μονοξείδιο του άνθρακα, ένα άοσμο, δηλητηριώδες και ιδιαίτερα επικίνδυνο αέριο. Να μην εκκινείτε

τον κινητήρα σε εσωτερικούς ή κλειστούς χώρους.

(Εικ. 13) Καυτή επιφάνεια.

(Εικ. 14) Γεμίστε τον κινητήρα με λάδι προτού θέσετε σε λειτουργία το προϊόν.

Περιεχόμενα Άλλα σύμβολα/σήματα που υπάρχουν στο προϊόν αναφέρονται σε απαιτήσεις πιστοποίησης για ορισμένες εμπορικές περιοχές.

Ευθύνη προϊόντος

Όπως αναφέρεται στη νομοθεσία περί ευθύνης για τα προϊόντα, δεν φέρουμε καμία ευθύνη για ζημιές που οφείλονται στο προϊόν μας εάν:

- Το προϊόν έχει επισκευαστεί λανθασμένα.
- Το προϊόν έχει επισκευαστεί με εξαρτήματα που δεν προέρχονται από τον κατασκευαστή ή που δεν έχουν εγκριθεί από τον κατασκευαστή.
- Το προϊόν διαθέτει ένα αξεσουάρ που δεν προέρχεται από τον κατασκευαστή ή που δεν έχει εγκριθεί από τον κατασκευαστή.
- Το προϊόν δεν έχει επισκευαστεί σε εγκεκριμένο κέντρο σέρβις ή από εγκεκριμένη αρχή.

Εκπομπές Euro V



ΠΡΟΕΙΔΟΠΟΙΗΣΗ: Οποιαδήποτε μη εξουσιοδοτημένη παρέμβαση στον κινητήρα ακυρώνει την έγκριση τύπου ΕΕ αυτού του προϊόντος.

Ασφάλεια

Ορισμοί για την ασφάλεια

Για την επισήμανση ειδικών σημαντικών τμημάτων του εγχειριδίου χρησιμοποιούνται προειδοποιήσεις, συστάσεις προσοχής και σημειώσεις.



ΠΡΟΕΙΔΟΠΟΙΗΣΗ: Χρησιμοποιείται όταν υπάρχει κίνδυνος τραυματισμού ή θανάτου του χειριστή ή άλλων παριστάμενων ατόμων, αν δεν τηρηθούν οι οδηγίες που παρέχονται στο εγχειρίδιο.



ΠΡΟΣΟΧΗ: Χρησιμοποιείται όταν υπάρχει κίνδυνος πρόκλησης ζημιάς στο προϊόν, σε άλλα υλικά ή στον παρακείμενο χώρο, αν δεν τηρηθούν οι οδηγίες που παρέχονται στο εγχειρίδιο.

Περιεχόμενα Χρησιμοποιείται για παροχή περισσότερων πληροφοριών, οι οποίες χρειάζονται σε μια δεδομένη κατάσταση.

Γενικές οδηγίες ασφαλείας



ΠΡΟΕΙΔΟΠΟΙΗΣΗ: Προτού χρησιμοποιήσετε το προϊόν, διαβάστε τις παρακάτω προειδοποιητικές οδηγίες.

- Αυτό το προϊόν είναι επικίνδυνο αν δεν χρησιμοποιηθεί σωστά ή αν δεν είστε προσεκτικοί. Αν δεν τηρείτε τις οδηγίες ασφαλείας, μπορεί να προκληθεί τραυματισμός ή θάνατος.
- Αυτό το προϊόν παράγει ηλεκτρομαγνητικό πεδίο κατά τη λειτουργία του. Το πεδίο αυτό, υπό ορισμένες συνθήκες, μπορεί να προκαλέσει παρεμβολές σε ενεργά ή παθητικά ιατρικά εμφυτεύματα. Για να μειωθεί ο κίνδυνος σοβαρών ή θανατηφόρων τραυματισμών, συνιστούμε στα άτομα με ιατρικά εμφυτεύματα να συμβουλευτούν το θεράποντα ιατρό τους και τον κατασκευαστή του ιατρικού εμφυτεύματος, προτού θέσουν το προϊόν σε λειτουργία.
- Πρέπει πάντα να προσέχετε και να χρησιμοποιείτε την κοινή λογική. Αν δεν είστε βέβαιοι πώς να χειριστείτε το προϊόν σε μια ιδιαίτερη κατάσταση, σταματήστε και μιλήστε με τον αντιπρόσωπο της Husqvarna προτού συνεχίσετε.
- Πρέπει να θυμάστε ότι ο χειριστής θεωρείται υπεύθυνος για ατυχήματα που μπορεί να προκληθούν σε άλλα άτομα ή στην περιοχή τους.
- Να διατηρείτε το προϊόν καθαρό. Βεβαιωθείτε ότι μπορείτε να διαβάσετε καθαρά τις ενδείξεις και τα σήματα.
- Μην επιτρέπεται σε κανένα άτομο να χρησιμοποιήσει το προϊόν αν δεν βεβαιωθείτε ότι έχει διαβάσει και κατανοήσει τα περιεχόμενα του εγχειριδίου χρήσης.
- Μην επιτρέψετε σε παιδιά να χρησιμοποιήσουν το προϊόν.
- Μην αφήνετε να πλησιάσουν παιδιά στην περιοχή εργασίας. Πρέπει να είναι παρών ένας υπεύθυνος ενήλικας ανά πάσα στιγμή.
- Μην επιτρέψετε σε άτομα που δεν έχουν διαβάσει τις οδηγίες να χρησιμοποιήσουν το προϊόν.
- Αν το προϊόν χρησιμοποιείται από ένα άτομο με μειωμένη σωματική ή διανοητική ικανότητα, θα πρέπει πάντα να το επιβλέπετε. Πρέπει να είναι παρών ένας υπεύθυνος ενήλικας ανά πάσα στιγμή.
- Μην χρησιμοποιείτε το προϊόν αν είστε κουρασμένοι, άρρωστοι ή υπό την επήρεια αλκοόλ, ναρκωτικών ή φαρμάκων. Αυτά έχουν αρνητικές συνέπειες στην όραση, την αυτοσυγκέντρωση, τον συντονισμό και την κρίση σας.
- Μην χρησιμοποιείτε το προϊόν αν είναι ελαττωματικό.
- Μην τροποποιείτε το προϊόν και μην το χρησιμοποιείτε αν είναι εμφανές ότι έχει τροποποιηθεί από άλλους.
- Μην αλλάζετε τη ρύθμιση του χειριστήριου στροφών κινητήρα.

Ασφάλεια στο χώρο εργασίας



ΠΡΟΕΙΔΟΠΟΙΗΣΗ: Προτού χρησιμοποιήσετε το προϊόν, διαβάστε τις παρακάτω προειδοποιητικές οδηγίες.

- Αφαιρέστε αντικείμενα όπως κλαδιά, κλωνάρια και πέτρες από την περιοχή εργασίας πριν χρησιμοποιήσετε το προϊόν.
- Τα αντικείμενα που χτυπούν πάνω στον εξοπλισμό κοπής μπορεί να πεταχτούν και να προκαλέσουν ζημιές σε πρόσωπα και αντικείμενα. Να διατηρείτε τους παρευρισκόμενους και τα ζώα σε απόσταση ασφαλείας από το προϊόν.
- Μην χρησιμοποιείτε ποτέ το προϊόν σε κακές καιρικές συνθήκες, όπως ομίχλη, βροχή, ισχυρό άνεμο, έντονο κρύο και κίνδυνο κεραυνού. Η χρήση του προϊόντος σε κακές καιρικές συνθήκες, σε συνθήκες υγρασίας ή σε υγρές τοποθεσίες είναι εξαιρετικά κούραστική. Οι κακές καιρικές συνθήκες μπορεί να προκαλέσουν επικίνδυνες καταστάσεις, όπως ολισθηρές επιφάνειες.
- Να προσέχετε για πρόσωπα, αντικείμενα και καταστάσεις που μπορεί να αποτρέψουν την ασφαλή λειτουργία του προϊόντος.
- Να προσέχετε για εμπόδια, όπως ρίζες, πέτρες, κλωνάρια, λακκούβες και χαντάκια. Το μακρύ γρασίδι μπορεί να κρύβει εμπόδια.
- Η κοπή χόρτου σε πλάγιες μπορεί να είναι επικίνδυνη. Μην χρησιμοποιείτε το προϊόν σε πλάγιες με κλίση πάνω από 15°.
- Να κατευθύνετε το προϊόν κατά πλάτος στις επιφάνειες με κλίση. Να μην μετακινείστε προς τα πάνω και προς τα κάτω.
- Να είστε ιδιαίτερα προσεκτικοί κοντά σε κρυφές γωνίες και αντικείμενα που εμποδίζουν το οπτικό σας πεδίο.

Ασφάλεια στην εργασία



ΠΡΟΕΙΔΟΠΟΙΗΣΗ: Προτού χρησιμοποιήσετε το προϊόν, διαβάστε τις παρακάτω προειδοποιητικές οδηγίες.

- Να χρησιμοποιείτε το προϊόν μόνο για την κοπή χόρτου γκαζόν. Δεν επιτρέπεται η χρήση του για άλλες εργασίες.
- Χρησιμοποιείτε ατομικό προστατευτικό εξοπλισμό. Ανατρέξτε στην ενότητα *Προσωπικός εξοπλισμός προστασίας στη σελίδα 83*.
- Βεβαιωθείτε ότι γνωρίζετε πώς να σταματήσετε τον κινητήρα γρήγορα σε περίπτωση έκτακτης ανάγκης.
- Μην εκκινείτε ποτέ τον κινητήρα μέσα σε κλειστό χώρο ή κοντά σε εύφλεκτα υλικά. Τα καυσαέρια του κινητήρα είναι ζεστά και ενδέχεται να έχουν σπινθήρες που μπορεί να προκαλέσουν πυρκαγιά.
- Μην λειτουργείτε το προϊόν αν δεν είναι σωστά συνδεδεμένη η λεπίδα και όλα τα καλύμματα. Αν η λεπίδα δεν είναι σωστά συνδεδεμένη, μπορεί να

χαλαρώσει και να προκληθεί προσωπικός τραυματισμός.

- Να βεβαιώνετε ότι ο δίσκος δεν χτυπάει αντικείμενα, όπως πέτρες και ρίζες. Αυτό μπορεί να κάνει ζημιά στη λεπίδα και να λυγίσει τον άξονα του κινητήρα. Ο λυγισμένος άξονας προκαλεί ισχυρή δόνηση και πολύ υψηλό κίνδυνο χαλάρωσης της λεπίδας.
- Σε περίπτωση πρόσκρουσης της λεπίδας σε αντικείμενο ή αν διαπιστώσετε κραδασμούς, διακόψτε αμέσως τη λειτουργία του προϊόντος. Αφαιρέστε το καλώδιο ανάφλεξης από το μπουζί. Ελέγξτε το προϊόν για ζημιές. Επισκευάστε τις ζημιές ή αναθέστε την επισκευή σε έναν εξουσιοδοτημένο αντιπρόσωπο σέρβις.
- Μην συνδέετε ποτέ μόνιμα τη λαβή φρένου κινητήρα στη χειρολαβή κατά την εκκίνηση του κινητήρα.
- Τοποθετήστε το προϊόν σε μια σταθερή, επίπεδη επιφάνεια και εκκινήστε το. Να βεβαιώνετε ότι η λεπίδα δεν χτυπάει στο έδαφος ή σε άλλα αντικείμενα.
- Να παραμένετε πάντα πίσω από το προϊόν κατά τη λειτουργία.
- Κατά τη λειτουργία του προϊόντος, θα πρέπει όλοι οι τροχοί να ακουμπούν στο έδαφος και να διατηρείτε και τα 2 χέρια πάνω στη λαβή. Διατηρήστε τα χέρια και τα πόδια σας μακριά από τις περιστρεφόμενες λεπίδες.
- Μην γέρνετε το προϊόν όταν εκκινείται ο κινητήρας.
- Να είστε προσεκτικοί όταν τραβάτε το προϊόν προς τα πίσω.
- Να μην ανασηκώνετε ποτέ το προϊόν όταν εκκινείται ο κινητήρας. Αν πρέπει να ανασηκώσετε το προϊόν, σβήστε πρώτα τον κινητήρα και αποσυνδέστε το καλώδιο ανάφλεξης από το μπουζί.
- Να μην περπατάτε προς τα πίσω όταν χρησιμοποιείτε το προϊόν.
- Να σβήνετε τον κινητήρα όταν μετακινείστε σε περιοχές χωρίς χόρτα, για παράδειγμα μονοπάτια από χαλίκι, πέτρα και άσφαλο.
- Μην τρέχετε με το προϊόν όταν εκκινείται ο κινητήρας. Να περπατάτε πάντα προς τα εμπρός όταν χρησιμοποιείτε το προϊόν.
- Να σβήνετε τον κινητήρα προτού αλλάξετε το ύψος κοπής. Μην προβείτε ποτέ σε τροποποιήσεις με τον κινητήρα σε λειτουργία.
- Μην αφήνετε ποτέ το προϊόν εκτός ορατότητας με τον κινητήρα σε λειτουργία. Να σβήνετε τον κινητήρα και να βεβαιώνετε ότι το παρελκόμενο κοπής δεν περιστρέφεται.

Οδηγίες ασφαλείας για τη λειτουργία

Προσωπικός εξοπλισμός προστασίας



ΠΡΟΕΙΔΟΠΟΙΗΣΗ: Προτού χρησιμοποιήσετε το προϊόν, διαβάστε τις παρακάτω προειδοποιητικές οδηγίες.

- Ο προσωπικός εξοπλισμός προστασίας δεν μπορεί να εξαλείψει τον κίνδυνο τραυματισμών, ωστόσο μειώνει τη σοβαρότητά τους σε περίπτωση ατυχήματος. Ο αντιπρόσωπος θα σας βοηθήσει να επιλέξετε το σωστό εξοπλισμό.
- Να χρησιμοποιείτε προστατευτικά ακοής, εάν το επίπεδο θορύβου είναι υψηλότερο από 85 dB.
- Να χρησιμοποιείτε αντλιοσθηκικές μπότες ή παπούτσια βαρέος τύπου. Να μην χρησιμοποιείτε το προϊόν με ανοιχτά παπούτσια ή ξυπόλυτοι.
- Χρησιμοποιήστε χοντρά, μακριά παντελόνια.
- Όταν χρειάζεται, να χρησιμοποιείτε προστατευτικά γάντια, για παράδειγμα κατά την τοποθέτηση, την επιθεώρηση ή τον καθαρισμό του εξοπλισμού κοπής.

Συσκευές ασφαλείας στο προϊόν



ΠΡΟΕΙΔΟΠΟΙΗΣΗ: Προτού χρησιμοποιήσετε το προϊόν, διαβάστε τις παρακάτω προειδοποιητικές οδηγίες.

- Μην χρησιμοποιείτε ποτέ το προϊόν, αν υπάρχουν ελαττωματικές συσκευές ασφαλείας.
- Πρέπει να κάνετε τακτικά έλεγχο των συσκευών ασφαλείας. Αν οι συσκευές ασφαλείας είναι ελαττωματικές, απευθυνθείτε στον αντιπρόσωπο σέρβις της Husqvarna.

Για τον έλεγχο του καλύμματος κοπής

Το κάλυμμα κοπής μειώνει τους κραδασμούς στο προϊόν και μειώνεται ο κίνδυνος τραυματισμού από τη λεπίδα.

- Εξετάστε το κάλυμμα κοπής για να βεβαιωθείτε ότι δεν υπάρχουν φθορές όπως ρωγμές.

Για τον έλεγχο της λαβής φρένου του κινητήρα

Η λαβή του φρένου κινητήρα σταματάει τον κινητήρα. Όταν απελευθερωθεί η λαβή του φρένου κινητήρα, ο κινητήρας σταματάει.

- Εκκινήστε τον κινητήρα και αφήστε τη λαβή του φρένου του κινητήρα. Αν ο κινητήρας δεν σταματά σε 3 δευτερόλεπτα, αναθέστε τη ρύθμιση του φρένου κινητήρα σε έναν συγκεκριμένο αντιπρόσωπο σέρβις Husqvarna. (Εικ. 15)

Έλεγχος του πίσω καλύμματος

Ο πίσω εκτροπέας μειώνει τον κίνδυνο εκτίναξης αντικειμένων προς την κατεύθυνση του χειριστή.

- Βεβαιωθείτε ότι το πίσω κάλυμμα δεν έχει υποστεί ζημιά.
- Βεβαιωθείτε ότι τα ελατήρια που κλείνουν το πίσω κάλυμμα δεν είναι χαλασμένα.
- Αντικαταστήστε τα χαλασμένα ελατήρια και εξαρτήματα.
- Βεβαιωθείτε ότι το πίσω κάλυμμα κινείται ομαλά πάνω στους μεντεσέδες.

Εξάτμιση (σιγαστήρας)

Η εξάτμιση (σιγαστήρας) διατηρεί τα επίπεδα θορύβου στο ελάχιστο και κατευθύνει τις αναθυμιάσεις της εξάτμισης μακριά από το χειριστή.

Μην χρησιμοποιείτε το προϊόν, αν η εξάτμιση (σιγαστήρας) λείπει ή είναι ελαττωματική. Αν η εξάτμιση (σιγαστήρας) είναι ελαττωματική, αυξάνεται το επίπεδο θορύβου και ο κίνδυνος φωτιάς.



ΠΡΟΕΙΔΟΠΟΙΗΣΗ: Η εξάτμιση (σιγαστήρας) θερμαίνεται πολύ κατά τη διάρκεια της χρήσης και παραμένει θερμή μετά τη χρήση, καθώς και όταν ο κινητήρας λειτουργεί στο ρελαντί. Προσέχετε όταν κινείστε κοντά σε εύφλεκτα υλικά ή/και αναθυμιάσεις, για να αποφύγετε την εκδήλωση πυρκαγιάς.

Έλεγχος της εξάτμισης (σιγαστήρας)

- Πρέπει να εξετάζετε την εξάτμιση (το σιγαστήρα) τακτικά, για να βεβαιωθείτε ότι είναι σωστά συνδεδεμένη και δεν έχει υποστεί ζημιά.

Ασφάλεια καυσίμου



ΠΡΟΕΙΔΟΠΟΙΗΣΗ: Προτού χρησιμοποιήσετε το προϊόν, διαβάστε τις παρακάτω προειδοποιητικές οδηγίες.

- Μην θέτετε το προϊόν σε λειτουργία, εάν υπάρχει καύσιμο ή λάδι κινητήρα στο προϊόν. Αφαιρέστε το ανεπιθύμητο καύσιμο/λάδι και αφήστε το προϊόν να στεγνώσει.
- Εάν χύσετε καύσιμο στα ρούχα σας, αλλάξτε τα αμέσως.
- Μην χύσετε καύσιμο στο σώμα σας, καθώς μπορεί να προκληθεί τραυματισμός. Αν χύσετε καύσιμο στο σώμα σας, χρησιμοποιήστε σαπούνι και νερό για να αφαιρέσετε το καύσιμο.
- Μην θέτετε το προϊόν σε λειτουργία, εάν ο κινητήρας έχει διαρροή. Εξετάζετε τακτικά τον κινητήρα για διαρροές.
- Να είστε προσεκτικοί με το καύσιμο. Το καύσιμο είναι εύφλεκτο και οι αναθυμιάσεις είναι εκρηκτικές και μπορεί να προκαλέσουν τραυματισμό ή θάνατο.
- Μην εισπνεύσετε τις αναθυμιάσεις καυσίμου, καθώς μπορεί να προκληθεί τραυματισμός. Βεβαιωθείτε ότι υπάρχει επαρκής ροή αέρα.
- Μην καπνίζετε κοντά στο καύσιμο ή τον κινητήρα.
- Μην τοποθετείτε ζεστά αντικείμενα κοντά στο καύσιμο ή τον κινητήρα.
- Μην προσθέτετε καύσιμο όταν λειτουργεί ο κινητήρας.
- Βεβαιωθείτε ότι ο κινητήρας έχει κρυώσει πριν από τον ανεφοδιασμό.
- Πριν από τον ανεφοδιασμό, ανοίξτε αργά την τάπα του ντεπόζιτου καυσίμου και εκτονώστε προσεκτικά την πίεση.

- Μην προσθέτετε καύσιμο στον κινητήρα σε εσωτερικό χώρο. Η ανεπαρκής ροή αέρα μπορεί να προκαλέσει τραυματισμό ή θάνατο λόγω ασφυξίας ή μονοξειδίου του άνθρακα.
- Να σφίγγετε πλήρως την τάπα του νεπετόζιτου καυσίμου. Αν η τάπα του νεπετόζιτου καυσίμου δεν είναι σφικμένη, υπάρχει κίνδυνος πυρκαγιάς.
- Πριν από την εκκίνηση, μετακινήστε το προϊόν σε απόσταση τουλάχιστον 3 m /10 ft από το σημείο όπου γεμίσατε το νεπετόζιτο.
- Μην γεμίζετε ποτέ εντελώς το νεπετόζιτο καυσίμου. Η υψηλή θερμοκρασία προκαλεί διαστολή του καυσίμου. Αφήνετε κενό στο επάνω μέρος του νεπετόζιτου.

Οδηγίες ασφαλείας για τη συντήρηση



ΠΡΟΕΙΔΟΠΟΙΗΣΗ: Προτού χρησιμοποιήσετε το προϊόν, διαβάστε τις παρακάτω προειδοποιητικές οδηγίες.

- Οι αναθυμιάσεις της εξάτμισης από τον κινητήρα περιέχουν μονοξείδιο του άνθρακα, ένα άσμο, δηλητηριώδες και ιδιαίτερα επικίνδυνο αέριο. Να μην εκκινείτε τον κινητήρα σε εσωτερικούς ή κλειστούς χώρους.

- Πριν πραγματοποιήσετε συντήρηση στο προϊόν, σβήστε τον κινητήρα και αποσυνδέστε το καλώδιο ανάφλεξης από το μπουζί.
- Να χρησιμοποιείτε προστατευτικά γάντια όταν κάνετε συντήρηση του εξοπλισμού κοπής. Η λεπίδα είναι πολύ κοφτερή και μπορεί εύκολα να κοπείτε.
- Τα αξεσουάρ και οι τροποποιήσεις στο προϊόν που δεν είναι εγκεκριμένες από τον κατασκευαστή, μπορεί να προκαλέσουν σοβαρό τραυματισμό ή θάνατο. Να μην πραγματοποιείτε αλλαγές στο προϊόν. Να χρησιμοποιείτε μόνο εξαρτήματα που έχουν εγκριθεί από τον κατασκευαστή.
- Αν η συντήρηση δεν γίνεται σωστά και τακτικά, αυξάνεται ο κίνδυνος τραυματισμού και ζημιάς στο προϊόν.
- Να πραγματοποιείτε μόνο τις εργασίες συντήρησης όπως δίνονται σε αυτό το εγχειρίδιο κατόχου. Όλες οι άλλες εργασίες συντήρησης πρέπει να γίνονται από εγκεκριμένο αντιπρόσωπο σέρβις Husqvarna.
- Να αναθέτετε τη συντήρηση του προϊόντος σε έναν εγκεκριμένο αντιπρόσωπο σέρβις Husqvarna σε τακτά χρονικά διαστήματα.
- Να αντικαθιστάτε τυχόν κατεστραμμένα, φθαρμένα ή σπασμένα εξαρτήματα.

Συναρμολόγηση

Εισαγωγή



ΠΡΟΕΙΔΟΠΟΙΗΣΗ: Προτού συναρμολογήσετε το προϊόν, πρέπει να διαβάσετε και να κατανοήσετε το κεφάλαιο για την ασφάλεια.



ΠΡΟΕΙΔΟΠΟΙΗΣΗ: Αφαιρέστε το καλώδιο του μπουζί από το μπουζί πριν τη συναρμολόγηση του προϊόντος.

4. Μετακινήστε τους μοχλούς προς την κατεύθυνση της χειρολαβής μέχρι να σταματήσουν και να ακούσετε ένα κλικ. (Εικ. 19)
5. Σφίξτε πλήρως τις χειρόβιδες.

Ρύθμιση του προϊόντος στη θέση μεταφοράς

1. Χαλαρώστε τους κάτω τροχίσκους.
2. Μετακινήστε τους μοχλούς στο κατώτερο άκρο των αυλακώσεων από την αριστερή και τη δεξιά πλευρά του προϊόντος. (Εικ. 18)
3. Διπλώστε τη χειρολαβή προς τα εμπρός. (Εικ. 20)

Για να ρυθμίσετε το προϊόν στη θέση λειτουργίας

1. Διπλώστε τη λαβή στην όρθια θέση. (Εικ. 21)
2. Μετακινήστε τους μοχλούς προς την κατεύθυνση της χειρολαβής μέχρι να σταματήσουν και να ακούσετε ένα κλικ. (Εικ. 19)
3. Σφίξτε πλήρως τις χειρόβιδες.

Συναρμολόγηση της λαβής

1. Περάστε τη βίδα (A) μέσα από τη λαβή (B), την πλαστική ροδέλα (C) και το μπράτσο του στηρίγματος της λαβής (D). (Εικ. 16)
2. Σφίξτε καλά το παξιμάδι (E).
3. Περάστε τη βίδα (F) μέσα από τη ροδέλα (G) και το μπράτσο του στηρίγματος της λαβής. (Εικ. 17)
4. Σφίξτε καλά τη χειρόβιδα (H).

Ρύθμιση της λαβής

1. Χαλαρώστε τις κάτω χειρόβιδες.
2. Μετακινήστε τους μοχλούς στο κατώτερο άκρο των αυλακώσεων από την αριστερή και τη δεξιά πλευρά του προϊόντος. (Εικ. 18)
3. Ρυθμίστε το ύψος της χειρολαβής σε μία από τις 2 διαθέσιμες θέσεις.

Συναρμολόγηση του συλλέκτη χόρτου (LC 151, LC 151S)

1. Τοποθετήστε το πλαίσιο συλλέκτη χόρτου στον σάκο χόρτου με το άκαμπο τμήμα του σάκου να ακουμπά στο έδαφος. Μην αφήνετε τη λαβή του πλαισίου να πλησιάζει το πάνω μέρος του σάκου. (Εικ. 22)

2. Στερεώστε το σάκο χόρτου στο πλαίσιο με τα κλιπ. (Εικ. 23)

Λειτουργία

Εισαγωγή



ΠΡΟΕΙΔΟΠΟΙΗΣΗ: Προτού χρησιμοποιήσετε το προϊόν, πρέπει να διαβάσετε και να κατανοήσετε το κεφάλαιο για την ασφάλεια.

Husqvarna Connect

Η Husqvarna Connect είναι μια δωρεάν εφαρμογή για τη φορητή συσκευή σας. Η εφαρμογή Husqvarna Connect παρέχει εκτεταμένες λειτουργίες για το προϊόν σας Husqvarna:

- Περισσότερες πληροφορίες για το προϊόν.
- Πληροφορίες και βοήθεια για τα ανταλλακτικά και το σέρβις του προϊόντος.

Για να αρχίσετε να χρησιμοποιείτε το προϊόν Husqvarna Connect

1. Κατεβάστε την εφαρμογή Husqvarna Connect στη φορητή συσκευή σας.
2. Εγγραφείτε στην εφαρμογή Husqvarna Connect.
3. Ακολουθήστε τα βήματα με τις οδηγίες που θα βρείτε στην εφαρμογή Husqvarna Connect για να συνδέσετε και να δηλώσετε το προϊόν.

Πριν χρησιμοποιήσετε το προϊόν

1. Διαβάστε το εγχειρίδιο χρήσης προσεκτικά και βεβαιωθείτε ότι έχετε κατανοήσει τις οδηγίες.
2. Εξετάστε τον εξοπλισμό κοπής για να βεβαιωθείτε ότι είναι σωστά συνδεδεμένος και ρυθμισμένος. Ανατρέξτε στην ενότητα *Για να ελέγξετε τον εξοπλισμό κοπής στη σελίδα 89*.
3. Γεμίστε το ντεπόζιτο καυσίμου. Ανατρέξτε στην ενότητα *Ανεφοδιασμός με καύσιμο στη σελίδα 86*.
4. Γεμίστε το ντεπόζιτο λαδιού και κάντε έναν έλεγχο της στάθμης λαδιού. Ανατρέξτε στην ενότητα *Έλεγχος της στάθμης λαδιού στη σελίδα 90*.

Ανεφοδιασμός με καύσιμο

Αν υπάρχει διαθέσιμη, χρησιμοποιήστε βενζίνη χαμηλής εκπομπής καυσαερίων/χαμηλής αλκυλίωσης. Σε περίπτωση που δεν είναι διαθέσιμη βενζίνη χαμηλών εκπομπών/αλκυλίωσης, χρησιμοποιήστε καλής ποιότητας αμόλυβδη βενζίνη ή βενζίνη με μόλυβδο με αριθμό οκτανίων όχι μικρότερο από 90.



ΠΡΟΣΟΧΗ: Μην χρησιμοποιείτε βενζίνη με αριθμό οκτανίων κάτω από 90 RON (87 AKI). Μπορεί να προκληθεί ζημιά στο προϊόν.

1. Ανοίξτε αργά την τάπα του ντεπόζιτου καυσίμου για να εκτονώσετε την πίεση.
2. Γεμίστε αργά με ένα δοχείο καυσίμων. Αν χύσετε καύσιμο, καθαρίστε το με ένα πανί και αφήστε το καύσιμο που απομένει να στεγνώσει. (Εικ. 24)
3. Καθαρίστε την περιοχή γύρω από την τάπα του ντεπόζιτου καυσίμου.
4. Να σφίγγετε πλήρως την τάπα του ντεπόζιτου καυσίμου. Αν η τάπα του ντεπόζιτου καυσίμου δεν είναι σφιγμένη, υπάρχει κίνδυνος πυρκαγιάς.
5. Πριν από την εκκίνηση, μετακινήστε το προϊόν σε απόσταση τουλάχιστον 3 m (10 ft) από το σημείο όπου γεμίσατε το ντεπόζιτο.

Για να ρυθμίσετε το ύψος κοπής

1. Μετακινήστε το μοχλό ύψους κοπής προς τα πίσω για να αυξήσετε το ύψος κοπής.
2. Μετακινήστε το μοχλό ύψους κοπής προς τα εμπρός για να μειώσετε το ύψος κοπής. (Εικ. 25)



ΠΡΟΣΟΧΗ: Μην ρυθμίζετε το ύψος κοπής πολύ χαμηλά. Οι λεπίδες μπορεί να χτυπήσουν στο έδαφος αν η επιφάνεια του χλοοτάπητα δεν είναι επίπεδη.

Εκκίνηση του προϊόντος

1. Βεβαιωθείτε ότι το καλώδιο ανάφλεξης είναι συνδεδεμένο στο μπουζί.
2. Να παραμένετε πίσω από το προϊόν.
3. Κρατήστε τη λαβή του φρένου κινητήρα προς τη χειρολαβή. (Εικ. 26)
4. Πιάστε τη λαβή του κορδονιού εκκίνησης με το δεξί σας χέρι.
5. Τραβήξτε αργά έξω τον κορδόνι της μίζας μέχρι να αισθανθείτε κάποια αντίσταση.
6. Τραβήξτε δυνατά για να εκκινήσει ο κινητήρας.



ΠΡΟΕΙΔΟΠΟΙΗΣΗ: Μην τυλίγετε ποτέ το σχοινί της τροχαλίας του συστήματος εκκίνησης γύρω από το χέρι σας.

Χρήση της κίνησης στους τροχούς LC 151S & LB 256SP

- Πιέστε την ασφάλεια κίνησης προς την κατεύθυνση της χειρολαβής. (Εικ. 27)
- Απελευθερώστε την ασφάλεια κίνησης για να αποδεσμεύσετε την κίνηση, για παράδειγμα όταν βρίσκατε κοντά σε κάποιο εμπόδιο.

- Πρωτού τραβήξετε το προϊόν προς τα πίσω, αποσυμπλέξτε τον μηχανισμό μετάδοσης κίνησης και απωρμίξτε το προϊόν προς τα εμπρός κατά περίπου 10 cm.

Χρήση της κίνησης στους τροχούς (LB 251S)

- Τραβήξετε το μοχλό μετάδοσης κίνησης προς την κατεύθυνση της χειρολαβής. (Εικ. 28)
- Πατήστε το μοχλό μετάδοσης κίνησης προς την αντίθετη κατεύθυνση από τη χειρολαβή για να αποσυμπλέξετε το σύστημα μετάδοσης κίνησης, όταν π.χ. πλησιάζετε ένα εμπόδιο.

Περιεχόμενα Ο μοχλός μετάδοσης κίνησης αποσυμπλέκεται αυτόματα, όταν απελευθερώνετε τη λαβή του φρένου του κινητήρα.

- Πρωτού τραβήξετε το προϊόν προς τα πίσω, πατήστε το μοχλό μετάδοσης κίνησης προς την αντίθετη κατεύθυνση από τη χειρολαβή και απωρμίξτε το προϊόν προς τα εμπρός περίπου 10 cm για να αποσυμπλέξετε πλήρως τη μετάδοση κίνησης.

Διακοπή λειτουργίας του προϊόντος

- Για να σταματήσετε μόνο το σύστημα μετάδοσης κίνησης, απελευθερώστε την ασφάλεια κίνησης (LC 151S, LB 256SP) ή το μοχλό μετάδοσης κίνησης (LB 251S).
- Για να διακόψετε τη λειτουργία του κινητήρα, απελευθερώστε τη λαβή του φρένου κινητήρα.

Χρήση του προϊόντος με τον συλλέκτη χόρτου (LC 151, LC 151S)



ΠΡΟΕΙΔΟΠΟΙΗΣΗ: Μην χρησιμοποιείτε το προϊόν χωρίς να έχετε τοποθετήσει τον συλλέκτη χόρτου ή χωρίς να έχετε κλείσει το πίσω κάλυμμα. Μπορεί να εκτιναχθούν αντικείμενα και να προκαλέσουν τραυματισμό στον χειριστή.

1. Ανασηκώστε το πίσω κάλυμμα και αφαιρέστε το πώμα χορτολιπάσματος, αν υπάρχει. (Εικ. 29)
2. Για να συναρμολογήσετε τον συλλέκτη χόρτου, ανατρέξτε στην ενότητα *Συναρμολόγηση του συλλέκτη χόρτου (LC 151, LC 151S) στη σελίδα 85.*
3. Τοποθετήστε τον συλλέκτη χόρτου στο μπράτσο.
4. Απασφαλίστε το πίσω κάλυμμα και τοποθετήστε το πάνω στο πλαίσιο του σάκου χόρτου. (Εικ. 30)

Αλλαγή του προϊόντος σε λειτουργία κοπής χορτολιπάσματος (LC 151, LC 151S)

Βεβαιωθείτε ότι ο κινητήρας είναι απενεργοποιημένος προτού αλλάξετε το προϊόν στη λειτουργία κοπής χορτολιπάσματος.

1. Ανασηκώστε το πίσω κάλυμμα και αφαιρέστε το συλλέκτη χόρτου, αν υπάρχει.
2. Τοποθετήστε το πώμα χορτολιπάσματος μέσα στο κανάλι εκτόξευσης. (Εικ. 31)
3. Κλείστε το πίσω κάλυμμα και βεβαιωθείτε ότι έχει κλείσει καλά πάνω στο πώμα χορτολιπάσματος.
4. Αντικαταστήστε τη λεπίδα με τη λεπίδα χορτολιπάσματος που παρέχεται στο κιτ χορτολιπάνσης. Ανατρέξτε στην ενότητα *Για να αντικαταστήσετε τη λεπίδα στη σελίδα 89.*

Αλλαγή του προϊόντος σε λειτουργία πλευρικής εξαγωγής κομμένου χόρτου

1. Ανασηκώστε το πίσω κάλυμμα και αφαιρέστε το σάκο χόρτου, αν υπάρχει.
2. Κλείστε το πίσω κάλυμμα και βεβαιωθείτε ότι έχει κλείσει καλά στο προϊόν.
3. Ανασηκώστε την ασφάλεια εξαγωγής. (Εικ. 32)
4. Ανοίξτε τον κάλυμμα πλευρικής εξαγωγής και τοποθετήστε τον εκτροπέα πλευρικής εξαγωγής πάνω στους πείρους στήριξης. (Εικ. 33)
5. Αφήστε το κάλυμμα πλευρικής εξαγωγής να κλείσει πάνω στον εκτροπέα πλευρικής εξαγωγής. Βεβαιωθείτε ότι ο εκτροπέας πλευρικής εξαγωγής είναι καλά τοποθετημένος προτού χρησιμοποιήσετε το προϊόν.

Αδειασμα του συλλέκτη χόρτου



ΠΡΟΣΟΧΗ: Ανασηκώστε τον συλλέκτη χόρτου όταν τον μετακινείτε, για να αποφύγετε τη φθορά.

1. Ανασηκώστε το συλλέκτη χόρτου με τη λαβή του πλαισίου.
2. Χρησιμοποιήστε τη χειρολαβή πλαισίου και τη χειρολαβή τσάντας όταν αδειάζετε τον συλλέκτη χόρτου. (Εικ. 34)

Για ένα καλό αποτέλεσμα

- Να χρησιμοποιείτε πάντα μια ακονισμένη λεπίδα. Η στομωμένη λεπίδα δίνει ένα ακανόνιστο αποτέλεσμα και η επιφάνεια κοπής του γρασιδιού γίνεται κίτρινη. Επίσης, η ακονισμένη λεπίδα χρησιμοποιεί λιγότερη ενέργεια από μια στομωμένη λεπίδα.
- Να μην κόβετε ποτέ πάνω από το 1/3 του μήκους του γρασιδιού. Όταν αρχίζετε να κόβετε το γρασίδι, χρησιμοποιήστε το υψηλότερο ύψος κοπής. Εξετάστε το αποτέλεσμα και χαμηλώστε το ύψος κοπής σε κατάλληλο επίπεδο. Αν το γρασίδι είναι πολύ μακρύ, κινηθείτε αργά και κόψτε 2 φορές, αν είναι απαραίτητο.
- Να κόβετε κάθε φορά σε διαφορετικές κατευθύνσεις για να αποφεύγετε τις ρίγες στο γκαζόν.
- Ανασηκώστε το πίσω κάλυμμα και αφαιρέστε το συλλέκτη χόρτου.

- Αν έχουν τοποθετηθεί πώμα χορτολιπάσματος και λεπίδα χορτολίπανσης, αφαιρέστε τα.
- Κλείστε το πίσω κάλυμμα προτού χρησιμοποιήσετε το προϊόν. Όταν χρησιμοποιείτε το προϊόν, το

κομμένο χόρτο εκτοξεύεται κάτω από το πίσω κάλυμμα.

Συντήρηση

Εισαγωγή



ΠΡΟΕΙΔΟΠΟΙΗΣΗ: Προτού εκτελέσετε εργασίες συντήρησης, πρέπει να διαβάσετε και να κατανοήσετε το κεφάλαιο για την ασφάλεια.

Για όλες τις εργασίες συντήρησης και επισκευής στο προϊόν, είναι απαραίτητη ειδική εκπαίδευση. Μπορούμε να εγγυηθούμε για τη διαθεσιμότητα των επαγγελματικών επισκευών και τη συντήρηση. Αν ο αντιπρόσωπός σας δεν είναι αντιπρόσωπος σέρβις, μιλήστε του για πληροφορίες σχετικά με τον πλησιέστερο αντιπρόσωπο σέρβις.

Πρόγραμμα συντήρησης



ΠΡΟΣΟΧΗ: Βεβαιωθείτε ότι το φίλτρο αέρα είναι στραμμένο προς τα πάνω και όχι προς το έδαφος όταν γέρνετε το προϊόν. Κίνδυνος ζημιάς στον κινητήρα.

Τα διαστήματα συντήρησης υπολογίζονται με βάση την καθημερινή χρήση του προϊόντος. Τα διαστήματα αλλάζουν αν το προϊόν δεν χρησιμοποιείται καθημερινά.

Για τις εργασίες συντήρησης που προσδιορίζονται με αστερίσκο (*), ανατρέξτε στις οδηγίες στην ενότητα *Συσκευές ασφαλείας στο προϊόν στη σελίδα 84.*

Συντήρηση	Καθημερινά	Κάθε μήνα	Σε κάθε σεζόν
Εκτέλεση γενικής επιθεώρησης	X		
Έλεγχος της στάθμης λαδιού	X		
Αλλαγή λαδιού (την πρώτη φορά μετά από 5 ώρες χρήσης, έπειτα μετά από κάθε 50 ώρες χρήσης) ³⁶			X
Καθαρισμός του προϊόντος	X		
Έλεγχος του εξοπλισμού κοπής	X		
Έλεγχος του καλύμματος κοπής *	X		
Έλεγχος λαβής του φρένου κινητήρα *	X		
Έλεγχος της εξάτμισης (σιγαστήρα) *		X	
Ελέγξτε το μπουζί. Καθαρίστε ή αντικαταστήστε το μπουζί, εάν χρειάζεται			X
Έλεγχος του φίλτρου αέρα	X		
Καθαρισμός του φίλτρου αέρα ³⁷		X	
Αντικαταστήστε το φίλτρο αέρα			X
Έλεγχος του συστήματος καυσίμου			X
Καθαρίστε τα πτερύγια φτερωτής (ανεμιστήρα) ψύξης του κυλίνδρου		X	
Ελέγξτε και προσαρμόστε την ντίζα του συμπλέκτη (LC 151S, LB 251S, LB 256SP)			X

³⁶ Εάν το προϊόν λειτουργεί με βαρύ φορτίο ή σε υψηλές θερμοκρασίες περιβάλλοντος, πρέπει να αντικαθιστάτε το λάδι κινητήρα κάθε 25 ώρες.

³⁷ Καθαρίζετε συχνότερα σε συνθήκες με σκόνη ή όταν υπάρχουν αερομεταφερόμενα σωματίδια. Αντικαταστήστε το φίλτρο αέρα, εάν είναι πολύ βρώμικο.

Συντήρηση	Καθημερινά	Κάθε μήνα	Σε κάθε σεζόν
Καθαρίστε κάτω από το κάλυμμα του συστήματος μετάδοσης κίνησης (LB 251S)			X

Εκτέλεση γενικής επιθεώρησης

- Βεβαιωθείτε ότι όλα τα παξιμάδια και οι βίδες πάνω στο προϊόν είναι σφιγμένα σωστά.

Για να καθαρίσετε εξωτερικά το προϊόν

- Χρησιμοποιήστε μια βούρτσα για να αφαιρέσετε φύλλα, γρασίδι και ακαθαρσίες.
- Βεβαιωθείτε ότι η εισαγωγή αέρα στο επάνω μέρος του κινητήρα δεν είναι φραγμένη.
- Μην χρησιμοποιείτε σύστημα πλύσης με υψηλή πίεση για να καθαρίσετε το προϊόν.
- Αν χρησιμοποιείτε νερό για να καθαρίσετε το προϊόν, μην ρίχνετε νερό απευθείας επάνω στον κινητήρα.

Για να καθαρίσετε την εσωτερική επιφάνεια του καλύμματος κοπής

- Αδειάστε το ντεπόζιτο καυσίμου.
- Γείρετε το προϊόν. Βεβαιωθείτε ότι το μπουζί δείχνει προς τα επάνω.



ΠΡΟΣΟΧΗ: Αν το προϊόν τοποθετηθεί με το φίλτρο αέρα προς τα κάτω, ο κινητήρας μπορεί να υποστεί ζημιά.

- Ξεπλύνετε την εσωτερική επιφάνεια του καλύμματος κοπής ρίχνοντας νερό προς τα κάτω με ένα λάστιχο.

Καθαρισμός κάτω από το κάλυμμα του συστήματος μετάδοσης κίνησης (LB 251S)

- Αδειάστε το ντεπόζιτο καυσίμου.
- Γείρετε το προϊόν. Βεβαιωθείτε ότι το μπουζί δείχνει προς τα επάνω.



ΠΡΟΣΟΧΗ: Αν το προϊόν τοποθετηθεί με το φίλτρο αέρα προς τα κάτω, ο κινητήρας μπορεί να υποστεί ζημιά.

- Αφαιρέστε τις 7 βίδες. (Εικ. 35)
- Αφαιρέστε το κάλυμμα του συστήματος μετάδοσης κίνησης.
- Καθαρίστε την επιφάνεια με μια βούρτσα.



ΠΡΟΣΟΧΗ: Το νερό ή η ρύπανση κάτω από το κάλυμμα του συστήματος μετάδοσης κίνησης μπορεί να προκαλέσει ζημιά στο σύστημα μετάδοσης κίνησης.

- Τοποθετήστε το κάλυμμα του συστήματος μετάδοσης κίνησης και τις 7 βίδες.

Για να ελέγξετε τον εξοπλισμό κοπής



ΠΡΟΕΙΔΟΠΟΙΗΣΗ: Για να αποτρέψετε ακούσια εκκίνηση, αφαιρέστε το καλώδιο ανάφλεξης από το μπουζί.



ΠΡΟΕΙΔΟΠΟΙΗΣΗ: Να χρησιμοποιείτε προστατευτικά γάντια όταν κάνετε συντήρηση του εξοπλισμού κοπής. Η λεπίδα είναι πολύ κοφτερή και μπορεί εύκολα να κοπείτε.

- Ελέγξτε τον εξοπλισμό κοπής για ζημιές ή ρωγμές. Πρέπει πάντα να αντικαθιστάτε τον εξοπλισμό κοπής, αν έχει υποστεί ζημιά.
- Κοιτάξτε τη λεπίδα για να δείτε εάν είναι φθαρμένη ή στομωμένη.

Περιοχόμενα Είναι απαραίτητο να ζυγοσταθμιστεί η λεπίδα μετά το ακόνισμα. Να αναθετέτε το ακόνισμα, την αντικατάσταση και τη ζυγοστάθμιση της λεπίδας σε ένα κέντρο σέρβις. Αν χτυπήσετε κάποιο εμπόδιο και σταματήσει το προϊόν, αντικαταστήστε τη φθαρμένη λεπίδα. Το κέντρο σέρβις θα αξιολογήσει αν η λεπίδα μπορεί να ακονιστεί ή πρέπει να αντικατασταθεί.

Για να αντικαταστήσετε τη λεπίδα

- Ασφαλίστε τη λεπίδα με έναν ξύλινο τάκο. (Εικ. 36)
- Αφαιρέστε τη βίδα της λεπίδας.
- Αφαιρέστε τη λεπίδα.
- Εξετάστε την υποστήριξη και τη βίδα της λεπίδας για να δείτε εάν υπάρχουν φθορές.
- Εξετάστε τον άξονα του κινητήρα για να βεβαιωθείτε ότι δεν είναι λυγισμένος.
- Κατά τη σύνδεση της νέας λεπίδας, στρέψτε τα άκρα της λεπίδας που σχηματίζουν γωνία προς την βίδα και τη ροδέλα με ροπή 43 – 47 N. m. (Εικ. 38)
- Βεβαιωθείτε ότι η λεπίδα είναι ευθυγραμμισμένη με το κέντρο του άξονα του κινητήρα.
- Ασφαλίστε τη λεπίδα με έναν ξύλινο τάκο. Τοποθετήστε τη ροδέλα του ελατηρίου και σφίξτε τη βίδα και τη ροδέλα με ροπή 43 – 47 N. m. (Εικ. 38)
- Περιστρέψτε τη λάμα με το χέρι και βεβαιωθείτε ότι μπορεί να περιστραφεί χωρίς προβλήματα.



ΠΡΟΕΙΔΟΠΟΙΗΣΗ: Να χρησιμοποιείτε γάντια βαρέος τύπου. Η λεπίδα είναι πολύ κοφτερή και μπορεί εύκολα να κοπείτε.

10. Εκκινήστε το προϊόν για να δοκιμάσετε τη λεπίδα. Αν η λεπίδα δεν είναι σωστά συνδεδεμένη, θα υπάρχουν κραδασμοί στο προϊόν ή το αποτέλεσμα κοπής δεν θα είναι ικανοποιητικό.

Έλεγχος της στάθμης λαδιού



ΠΡΟΣΟΧΗ: Το πολύ χαμηλό επίπεδο λαδιού μπορεί να προκαλέσει βλάβη στον κινητήρα. Να κάνετε έλεγχο της στάθμης λαδιού πριν από την εκκίνηση του προϊόντος.

1. Τοποθετήστε το προϊόν σε οριζόντιο έδαφος.
2. Αφαιρέστε το καπάκι του νεπεόζιτου λαδιού με τον συνδεδεμένο δείκτη στάθμης.
3. Καθαρίστε το λάδι από το δείκτη στάθμης.
4. Τοποθετήστε το δείκτη στάθμης πλήρως μέσα στο νεπεόζιτο λαδιού για να έχετε μια σωστή εικόνα της στάθμης λαδιού.
5. Αφαιρέστε το δείκτη στάθμης.
6. Εξετάστε τη στάθμη λαδιού πάνω στο δείκτη στάθμης.
7. Αν η στάθμη του λαδιού είναι χαμηλή, συμπληρώστε με λάδι κινητήρα και ελέγξτε ξανά τη στάθμη λαδιού.

Αντικατάσταση λαδιού του κινητήρα



ΠΡΟΕΙΔΟΠΟΙΗΣΗ: Το λάδι του κινητήρα είναι πολύ καυτό αμέσως μετά το σβήσιμο του κινητήρα. Αφήστε τον κινητήρα να κρυώσει προτού αδειάσετε το λάδι του κινητήρα. Αν πέσει λάδι κινητήρα στο δέρμα σας, καθαρίστε το με σαπούνι και νερό.

(Εικ. 39)

1. Λειτουργήστε το προϊόν μέχρι να αδειάσει το νεπεόζιτο καυσίμου.
2. Αφαιρέστε το καλώδιο της μίζας από το μπουζί.
3. Αφαιρέστε την τάπα νεπεόζιτου λαδιού.
4. Τοποθετήστε ένα δοχείο κάτω από το προϊόν για να συλλέξετε το λάδι του κινητήρα.
5. Γείρετε το προϊόν για να αδειάσετε το λάδι του κινητήρα από το νεπεόζιτο λαδιού.
6. Γεμίστε με καινούργιο λάδι κινητήρα που έχει τον προτεινόμενο τύπο στο *Τεχνικά στοιχεία στη σελίδα 94*.
7. Ελέγξτε τη στάθμη λαδιού. Ανατρέξτε στην ενότητα *Έλεγχος της στάθμης λαδιού στη σελίδα 90*.

Για να εξετάσετε το μπουζί



ΠΡΟΣΟΧΗ: Χρησιμοποιείτε πάντα τον συνιστώμενο τύπο μπουζί. Η χρήση λάθος τύπου μπουζί μπορεί να προκαλέσει ζημιά στο προϊόν.

- Αν ο κινητήρας έχει χαμηλή ισχύ, δεν εκκινείται εύκολα ή δεν λειτουργεί σωστά στο ρελαντί, ελέγξτε το μπουζί.
- Για να μειώσετε τον κίνδυνο συσσώρευσης ανεπιθύμητων υλικών στα ηλεκτρόδια του μπουζί, ακολουθήστε τις παρακάτω οδηγίες:
 - a) Βεβαιωθείτε ότι οι στροφές ανά λεπτό ρελαντί έχουν ρυθμιστεί σωστά.
 - b) Βεβαιωθείτε ότι το μίγμα καυσίμου είναι σωστό.
 - c) Βεβαιωθείτε ότι το φίλτρο αέρα είναι καθαρό.
- Αν το μπουζί είναι βρώμικο, καθαρίστε το και βεβαιωθείτε ότι το διάκενο του ηλεκτροδίου είναι σωστό, ανατρέξτε στην ενότητα *Τεχνικά στοιχεία στη σελίδα 94*. (Εικ. 40)
- Αν χρειάζεται, αντικαταστήστε το μπουζί.

Φίλτρο αέρα

Αν το φίλτρο αέρα είναι βρώμικο, ο κινητήρας μπορεί να υποστεί ζημιά ή να μην λειτουργεί σωστά. Σε συνθήκες με πολλή σκόνη, πρέπει να εκτελείτε τη συντήρηση του φίλτρου αέρα πιο συχνά. Για να μάθετε πότε πρέπει να αντικαθιστάτε το φίλτρο αέρα, ανατρέξτε στην ενότητα *Συντήρηση στη σελίδα 88*.

Περιεχόμενα Πρέπει πάντα να αντικαθιστάτε το φίλτρο αέρα, εάν έχει υποστεί ζημιά.

Αφαίρεση και τοποθέτηση του φίλτρου αέρα



ΠΡΟΕΙΔΟΠΟΙΗΣΗ: Πρέπει να χρησιμοποιείτε προστατευτικά γάντια.

1. Πιέστε τα κλιπ στο κάλυμμα του φίλτρου αέρα.
2. Αφαιρέστε προσεκτικά το κάλυμμα του φίλτρου αέρα (Α) από τον κινητήρα.
3. Αφαιρέστε το φίλτρο αέρα (Β). (Εικ. 41)
4. Ελέγξτε το φίλτρο αέρα για ζημιές. Αντικαταστήστε το φίλτρο αέρα, εάν έχει υποστεί ζημιά.
5. Καθαρίστε και ελέγξτε το φίλτρο αέρα. Ανατρέξτε στην ενότητα *Καθαρισμός του φίλτρου αέρα στη σελίδα 90*.
6. Για την τοποθέτηση, ακολουθήστε την αντίστροφη σειρά.

Καθαρισμός του φίλτρου αέρα

Αν το φίλτρο αέρα είναι βρώμικο, ο κινητήρας μπορεί να υποστεί ζημιά ή να μην λειτουργεί σωστά. Σε συνθήκες με πολλή σκόνη, πρέπει να εκτελείτε τη συντήρηση του φίλτρου αέρα πιο συχνά.

Για να μάθετε πότε πρέπει να αντικαθιστάτε το φίλτρο αέρα, ανατρέξτε στην ενότητα *Συντήρηση στη σελίδα 88*.

1. Αφαιρέστε το κάλυμμα του φίλτρου αέρα και το φίλτρο.
2. Καθαρίστε το φίλτρο κτυπώντας το σε μια επίπεδη επιφάνεια. Μην χρησιμοποιείτε διαλυτικό με πετρέλαιο, κηροζίνη ή πεπιεσμένο αέρα για τον καθαρισμό του φίλτρου.

Περιεχόμενα Τα φίλτρα αέρα που βρίσκονται σε λειτουργία για μεγάλο χρονικό διάστημα δεν μπορούν να καθαριστούν εντελώς. Να αντικαθιστάτε το φίλτρο αέρα σε τακτά διαστήματα. Εάν το φίλτρο αέρα έχει υποστεί ζημιά, θα πρέπει πάντα να αντικαθίσταται.

3. Κατά τη συναρμολόγηση του φίλτρου αέρα, βεβαιωθείτε ότι εφαρμόζει πλήρως στο στήριγμα φίλτρου.

Έλεγχος του εκτροπέα πλευρικής εξαγωγής

Ο εκτροπέας πλευρικής εξαγωγής είναι τοποθετημένος στο άνοιγμα πλευρικής εξαγωγής του προϊόντος. Μειώνει τον κίνδυνο εκτίναξης αντικειμένων προς την κατεύθυνση χλοοκοπής του χειριστή.

1. Βεβαιωθείτε ότι ο εκτροπέας πλευρικής εξαγωγής δεν έχει υποστεί ζημιά.
2. Ελέγξτε τον εκτροπέα πλευρικής εξαγωγής. Βεβαιωθείτε ότι δεν υπάρχουν ελαττώματα, όπως ρωγμές ή χαλασμένα ελατήρια που κάνουν την πόρτα να κλείσει.
3. Αντικαταστήστε τον εκτροπέα πλευρικής εξαγωγής ή τα ελατήρια, εάν έχουν υποστεί ζημιά.

Για να ελέγξετε το σύστημα καυσίμου

- Ελέγξτε την τάπα του νεπόζιτου καυσίμου και την τσιμούχα στεγανότητας της τάπας του νεπόζιτου

καυσίμου για να βεβαιωθείτε ότι δεν υπάρχουν φθορές.

- Ελέγξτε το σωλήνα καυσίμου για να βεβαιωθείτε ότι δεν υπάρχουν διαρροές. Αν ο σωλήνας καυσίμου έχει υποστεί φθορά, αναθέστε την αντικατάστασή του σε έναν αντιπρόσωπο σέρβις.

Ρύθμιση του καλωδίου του συμπλέκτη ((LC 151S, LB 251S, LB 256SP))

Για τις παρακάτω περιπτώσεις, πρέπει να μειώσετε το μήκος του καλωδίου του συμπλέκτη:

- Η κίνηση των τροχών δεν ενεργοποιείται όταν τραβάτε την ασφάλεια κίνησης ή το μοχλό ελέγχου ταχύτητας.
- Το προϊόν κινείται αργά όταν η κίνηση των τροχών είναι ενεργοποιημένη.

Για τις παρακάτω περιπτώσεις, είναι απαραίτητο να αυξήσετε το μήκος του καλωδίου του συμπλέκτη:

- Το προϊόν κινείται όταν δεν έχει ενεργοποιηθεί η κίνηση των τροχών.
- Ρυθμίστε το καλώδιο του συμπλέκτη.
 - a) Για να μειώσετε το μήκος του καλωδίου του συμπλέκτη, γυρίστε τη βίδα ρύθμισης αριστερόστροφα.
 - b) Για να αυξήσετε το μήκος του καλωδίου του συμπλέκτη, γυρίστε τη βίδα ρύθμισης δεξιόστροφα. (Εικ. 42)

Εάν το προϊόν συνεχίζει να μην κινείται ικανοποιητικά μετά τη ρύθμιση, απευθυνθείτε στον αντιπρόσωπο σέρβις.

Αντιμετώπιση προβλημάτων κινητήρα

Πρόβλημα	Πιθανή αιτία	Λύση
Ο κινητήρας δεν εκκινείται.	Το καλώδιο ανάφλεξης δεν έχει συνδεθεί σωστά.	Συνδέστε το καλώδιο ανάφλεξης στο μπουζί.
	Το νεπεόζιτο καυσίμου έχει αδειάσει.	Γεμίστε το νεπεόζιτο καυσίμου με τον σωστό τύπο καυσίμου.
	Το καύσιμο είναι παλιό.	Αδειάστε το νεπεόζιτο καυσίμου και το καρμπυρατέρ. Ανεφοδιάστε το προϊόν με νέα βενζίνη.
	Υπάρχουν σκουπιδιάκια στο καρμπυρατέρ ή στη γραμμή καυσίμου.	Καθαρίστε το καρμπυρατέρ ή/και τη γραμμή καυσίμου.
	Το μπουζί είναι ελαττωματικό.	Ρυθμίστε το διάκενο του ηλεκτροδίου, καθαρίστε ή αντικαταστήστε το μπουζί.
	Υπάρχει καύσιμο στο μπουζί.	Καθαρίστε το μπουζί.
Ο κινητήρας δεν σβήνει.	Υπάρχει βλάβη στον μηχανισμό διακοπής λειτουργίας.	Αφαιρέστε το καλώδιο ανάφλεξης από το μπουζί. Αναθέστε την επισκευή του προϊόντος σε έναν εγκεκριμένο αντιπρόσωπο σέρβις.
Ο κινητήρας δεν λειτουργεί ομαλά.	Το καλώδιο ανάφλεξης δεν έχει συνδεθεί σωστά.	Συνδέστε το καλώδιο ανάφλεξης στο μπουζί.
	Υπάρχουν βρομιές στη γραμμή καυσίμου ή το καύσιμο έχει λήξει.	Καθαρίστε τη γραμμή καυσίμου. Γεμίστε το νεπεόζιτο καυσίμου με καινούργιο καύσιμο σωστού τύπου.
	Υπάρχει εμπόδιο στην τάπα του νεπεόζιτου καυσίμου.	Καθαρίστε την τάπα του νεπεόζιτου καυσίμου.
	Υπάρχει νερό ή βρομιά στο σύστημα καυσίμου.	Αποστραγγίστε το νεπεόζιτο καυσίμου. Γεμίστε το νεπεόζιτο καυσίμου με καινούργιο καύσιμο σωστού τύπου.
	Το φίλτρο αέρα είναι βρόμικο.	Καθαρίστε το φίλτρο αέρα.
	Πρέπει να γίνει ρύθμιση του καρμπυρατέρ.	Αναθέστε τη ρύθμιση του καρμπυρατέρ σε έναν αντιπρόσωπο σέρβις.
Ο κινητήρας υπερθερμαίνεται.	Η στάθμη λαδιού κινητήρα είναι πολύ χαμηλή.	Γεμίστε με λάδι κινητήρα.
	Η παροχή αέρα δεν είναι επαρκής.	Καθαρίστε το φίλτρο αέρα και το περίβλημα του φίλτρου αέρα.
	Πρέπει να γίνει ρύθμιση του καρμπυρατέρ.	Αναθέστε τη ρύθμιση του καρμπυρατέρ σε έναν αντιπρόσωπο σέρβις.
Παρουσιάζεται αφλογιστία στον κινητήρα όταν λειτουργεί με υψηλές στροφές.	Το διάκενο του ηλεκτροδίου στο μπουζί είναι πολύ μικρό.	Ρυθμίστε το διάκενο αέρα.

Πρόβλημα	Πιθανή αιτία	Λύση
Ασυνήθιστοι θόρυβοι από τον κινητήρα κατά τη διάρκεια λειτουργίας με κανονικό φορτίο.	Λάθος τύπος βενζίνης.	Αδειάστε το ντεπόζιτο καυσίμου και το καρμπυρατέρ. Ανεφοδιάστε το προϊόν με νέα βενζίνη. Ανατρέξτε στην ενότητα <i>Ανεφοδιασμός με καύσιμο στη σελίδα 86</i> . Εάν το πρόβλημα συνεχίζει να εμφανίζεται, επικοινωνήστε με τον τοπικό αντιπρόσωπο σέρβις.
Ο κινητήρας δεν λειτουργεί ομαλά στο ρελαντί.	Το μπουζί είναι βρόμικο, ελαττωματικό ή το διάκενο του ηλεκτροδίου είναι πολύ μεγάλο.	Ρυθμίστε το διάκενο ηλεκτροδίου ή αντικαταστήστε το μπουζί.
	Πρέπει να γίνει ρύθμιση του καρμπυρατέρ.	Ρυθμίστε το καρμπυρατέρ.
	Το φίλτρο αέρα είναι βρόμικο.	Καθαρίστε το φίλτρο αέρα.

Μεταφορά, αποθήκευση και απόρριψη

Μεταφορά και αποθήκευση

- Για την αποθήκευση και τη μεταφορά του προϊόντος και του καυσίμου, βεβαιωθείτε ότι δεν υπάρχουν διαρροές ή αναθυμιάσεις. Τυχόν σπινθήρες ή ακάλυπτες φλόγες, για παράδειγμα από ηλεκτρικές συσκευές ή λέβητες, μπορεί να προκαλέσουν πυρκαγιά.
- Να χρησιμοποιείτε πάντα εγκεκριμένα δοχεία για την αποθήκευση και τη μεταφορά των καυσίμων.
- Να αδειάζετε το ντεπόζιτο καυσίμου πριν την αποθήκευση του προϊόντος για μεγάλο χρονικό διάστημα. Να απορρίπτετε το καύσιμο σε μια κατάλληλη τοποθεσία απόρριψης
- Να στερεώνετε με ασφάλεια το προϊόν κατά τη μεταφορά για να αποφύγετε βλάβες και ατυχήματα.
- Να διατηρείτε το προϊόν σε μια κλειδωμένη περιοχή για να αποτρέψετε την πρόσβαση σε παιδιά ή μη εγκεκριμένα άτομα.
- Να διατηρείτε το προϊόν σε μια περιοχή στεγνή και χωρίς πάγο.

Απόρριψη

- Πρέπει να συμμορφώνεστε με τις τοπικές απαιτήσεις ανακύκλωσης και τους ισχύοντες κανονισμούς.
- Πετάξτε όλα τα χημικά, όπως το λάδι κινητήρα ή το καύσιμο, σε ένα κέντρο σέρβις ή σε μια κατάλληλη τοποθεσία απόρριψης.
- Όταν το προϊόν δεν είναι πλέον σε χρήση, στείλτε το σε έναν αντιπρόσωπο Husqvarna ή απορρίψτε το σε μια τοποθεσία ανακύκλωσης.

Τεχνικά στοιχεία

Τεχνικά στοιχεία

	LC 151	LC 151S	LB 251S	LB 256SP
Κινητήρας				
Επωνυμία	Husqvarna	Husqvarna	Husqvarna	Husqvarna
Τύπος κινητήρα	Μονοκύλινδρος, 4-χρονος, ψύξη με εξαναγκασμένη κυκλοφορία αέρα, OHV	Μονοκύλινδρος, 4-χρονος, ψύξη με εξαναγκασμένη κυκλοφορία αέρα, OHV	Μονοκύλινδρος, 4-χρονος, ψύξη με εξαναγκασμένη κυκλοφορία αέρα, OHV	Μονοκύλινδρος, 4-χρονος, ψύξη με εξαναγκασμένη κυκλοφορία αέρα, OHV
Κυβισμός, cm ³	166	166	166	166
Ταχύτητα, σ.α.λ.	2800	2800	2800	2800
Ονομαστική απόδοση ισχύος κινητήρα, kW ³⁸	2.7	2.7	2.7	2.7
Σύστημα ανάφλεξης				
Μπουζί	Husqvarna HQT-7	Husqvarna HQT-7	Husqvarna HQT-7	Husqvarna HQT-7
Διάκενο ηλεκτροδίου, mm	0,7-0,8	0,7-0,8	0,7-0,8	0,7-0,8
Σύστημα καυσίμου και λίπανσης				
Τύπος λίπανσης κινητήρα	Παφλασμός	Παφλασμός	Παφλασμός	Παφλασμός
Χωρητικότητα ντεπόζιτου καυσίμου, λίτρα	1,0	1,0	1,0	1,0
Χωρητικότητα δοχείου λαδιού, λίτρα	0,5	0,5	0,5	0,5
Λάδι κινητήρα ³⁹	Husqvarna SAE 30	Husqvarna SAE 30	Husqvarna SAE 30	Husqvarna SAE 30
Βάρος				
Με κενά ντεπόζιτα, kg	31,1	32,6	32,0	33,1
Εκπομπές θορύβου⁴⁰				
Στάθμη ηχητικής ισχύος, μετρημένη, dB(A)	96	96	95	97

³⁸ Η ονομαστική ισχύς του εν λόγω κινητήρα είναι η μέση ωφέλιμη ισχύς (σε συγκεκριμένες στροφές κινητήρα) ενός τυπικού κινητήρα παραγωγής για το μοντέλο του κινητήρα μετρημένης βάσει του προτύπου SAE J1349/ISO 1585. Οι κινητήρες μαζικής παραγωγής μπορεί να διαφέρουν από την τιμή αυτή. Η πραγματική ωφέλιμη απόδοση ισχύος του κινητήρα που τοποθετείται στο τελικό προϊόν εξαρτάται από την ταχύτητα λειτουργίας, τις συνθήκες του περιβάλλοντος και άλλες τιμές.

³⁹ Εάν το λάδι SAE-30 χρησιμοποιείται σε θερμοκρασίες χαμηλότερες από +5 °C, υπάρχει κίνδυνος να μην λιπανθεί επαρκώς ο κινητήρας. Αυτό μπορεί να προκαλέσει ζημιά στον κινητήρα. Ανατρέξτε στην ενότητα *Αντικατάσταση λαδιού του κινητήρα στη σελίδα 90* για το σωστό λάδι για χαμηλές θερμοκρασίες.

⁴⁰ Οι εκπομπές θορύβου στο περιβάλλον μετρούνται ως ηχητική ισχύς (L_{WA}) σε συμμόρφωση με την Οδηγία 2000/14/ΕΚ.

	LC 151	LC 151S	LB 251S	LB 256SP
Στάθμη ηχητικής ισχύος, εγγυημένη , L _{WA} dB (A)	98	98	96	98
Στάθμες ήχου⁴¹				
Στάθμη ηχητικής πίεσης στο αυτί του χειριστή, dB(A)	86	86	82	86
Στάθμες κραδασμών⁴²				
Κραδασμοί στη χειρολαβή, m/s ²	8,5	8,5	4,7	7,5
Εξοπλισμός κοπής				
Ύψος κοπής, mm	25-75	25-75	25-75	25-75
Πλάτος κοπής, mm	510	510	510	560
Σύστημα κοπής	Συλλογή / Bio-Clip® / Πλευρική εξαγωγή	Συλλογή / Bio-Clip® / Πλευρική εξαγωγή	BioClip® / Πλευρική εξαγωγή	BioClip® / Πλευρική εξαγωγή
Λεπίδα - τυπική	Συλλογή 598562601	Συλλογή 598562601	Χορτολίπανση 597683901	Χορτολίπανση 598563601
Λεπίδα - Αξεσουάρ	Χορτολίπανση 597683901	Χορτολίπανση 597683901	-	-
Χωρητικότητα συλλέκτη χόρτου, λίτρο	65	65	-	-
Σύστημα μετάδοσης κίνησης				
Ταχύτητα αυτόματης πορείας, km/h	-	3,6	4,0	3,6

⁴¹ Τα καταγεγραμμένα στοιχεία για τη στάθμη πίεσης θορύβου έχουν τυπική στατιστική διασπορά (τυπική απόκλιση) 1,2 dB(A).

⁴² Τα καταγεγραμμένα στοιχεία για τη στάθμη κραδασμών έχουν τυπική στατιστική διασπορά (τυπική απόκλιση) της τάξης του 0,2 m/s².

Δήλωση Συμμόρφωσης ΕΚ

Δήλωση Συμμόρφωσης ΕΚ

Η **Husqvarna AB**, SE-561 82 Huskvarna, Σουηδία, τηλ.: +46-36-146500, δηλώνει ότι τα χλοοκοπτικά γκαζόν **Husqvarna LC 151, LC 151S, LB 251S, LB 256SP** από το έτος 2020 και έπειτα, πληρούν τις προϋποθέσεις της ΟΔΗΓΙΑΣ του ΣΥΜΒΟΥΛΙΟΥ:

- με ημερομηνία 8 Ιουνίου 2011 σχετικά με τον "περιορισμό της χρήσης συγκεκριμένων επικινδύνων ουσιών" **2011/65/EE**
- με ημερομηνία 17 Μαΐου 2006 "σχετικά με τα μηχανήματα" **2006/42/EK**
- με ημερομηνία 26 Φεβρουαρίου 2014 "σχετικά με την ηλεκτρομαγνητική συμβατότητα" **2014/30/EE**
- με ημερομηνία 8 Μαΐου 2000 "περί εκπομπών θορύβου στο περιβάλλον" **2000/14/EK**

Για πληροφορίες σχετικά με τις εκπομπές θορύβου, βλ. την ενότητα "Τεχνικά στοιχεία".

Εφαρμόστηκαν τα ακόλουθα πρότυπα:

EN ISO 5395-1:2013, EN ISO 5395-1:2013/A1, EN ISO 5395-2:2013, EN ISO 5395-2:2013/A1:2016, EN ISO 5395-2:2013/A2:2017, EN ISO 14982:2009

Αν δεν ορίζεται διαφορετικά, τα παραπάνω πρότυπα αντιστοιχούν στις πιο πρόσφατες δημοσιευμένες εκδόσεις.

Κοινοποιημένος οργανισμός (LC 151, LC 151S, LB 256SP): **0036, TÜV SÜD Industrie Service GmbH, Westendstrasse 199, 80686 München, Germany** έχει πραγματοποιήσει αξιολόγηση της συμμόρφωσης σύμφωνα με το Παράρτημα VI της οδηγίας 2000/14/EK.

Κοινοποιημένος οργανισμός (LB 251S): **0404, RISE SMP Svensk Maskinprovning AB, Box 7035, SE-750 07 Uppsala, Sweden** έχει πραγματοποιήσει αξιολόγηση της συμμόρφωσης σύμφωνα με το Παράρτημα VI της οδηγίας 2000/14/EK.

Huskvarna, 2020-10-20



Claes Losdal, Διευθυντής ανάπτυξης/Προϊόντα κήπου
(Εξουσιοδοτημένος αντιπρόσωπος της Husqvarna AB
και υπεύθυνος για την τεχνική τεκμηρίωση)

Contenido

Introducción.....	97	Resolución de problemas del motor.....	107
Seguridad.....	98	Transporte, almacenamiento y eliminación.....	108
Montaje.....	101	Datos técnicos.....	109
Funcionamiento.....	101	Declaración de conformidad CE.....	111
Mantenimiento.....	103		

Introducción

Descripción del producto

El producto es un cortacésped giratorio conducido a pie. Para LC 151, LC 151S, fije un recogedor de césped para recoger la hierba. Monte el deflector de descarga lateral para realizar una descarga lateral de la hierba. Para LC 151, LC 151S, fije un kit de trituración para cortar la hierba y utilizarla como abono.

Uso previsto

Utilice el producto para cortar hierba. No utilice el producto para otras tareas.

Descripción del producto

(Fig. 1)

1. Manillar
2. Maneta del freno del motor
3. Mango de transmisión (LC 151S, LB 256SP)
4. Palanca de control (LB 251S)
5. Cubierta trasera (LC 151, LC 151S)
6. Recogedor de césped (LC 151, LC 151S)
7. Mariposas de ajuste de la altura del manillar
8. Palanca de la altura de corte
9. Tapón del depósito de aceite y varilla de nivel
10. Cubierta de descarga lateral
11. Silenciador
12. Bujía
13. Carburador
14. Tapón del depósito de combustible
15. Símbolos
16. Cubierta del equipo de corte
17. Filtro de aire
18. Deflector lateral
19. Kit de trituración (accesorio para LC 151, LC 151S)
20. Empuñadura de la cuerda de arranque
21. Manual de usuario

(Fig. 3) Lea detenidamente el manual de usuario y asegúrese de que entiende las instrucciones antes de usar la máquina.

(Fig. 4) Tenga cuidado con los objetos lanzados o rebotados.

(Fig. 5) Mantenga a las personas y animales a una distancia de seguridad respecto a la zona de trabajo.

(Fig. 6) Advertencia: Mantenga alejados las manos y los pies de la cuchilla giratoria.

(Fig. 7) Advertencia: Mantenga alejados las manos y los pies de las piezas giratorias.

(Fig. 8) Detenga el motor y quite el cable de encendido antes de realizar tareas de mantenimiento o reparación.

(Fig. 9) Este producto cumple con las directivas CE vigentes.

(Fig. 10) Las emisiones sonoras en el entorno según la directiva de la Comunidad Europea. Las emisiones del producto se indican en el capítulo «Datos técnicos» y en la etiqueta.

(Fig. 11) Riesgo de incendio.

(Fig. 12) No inhale los gases de escape. Los gases de escape del motor contienen monóxido de carbono, que es un gas inodoro, tóxico y muy peligroso. No arranque el motor en interiores ni en espacios cerrados.

(Fig. 13) Superficie caliente.

Símbolos que aparecen en el producto

(Fig. 2) ADVERTENCIA: Tenga cuidado y utilice el producto correctamente. Este producto puede ocasionar lesiones graves o mortales tanto al operador como a cualquier otra persona.

(Fig. 14) Llene el motor de aceite antes de arrancar el producto.

Nota: Los demás símbolos/etiquetas que aparecen en el producto corresponden a requisitos de homologación específicos de algunas zonas comerciales.

Responsabilidad sobre el producto

Como se estipula en las leyes de responsabilidad del producto, no nos hacemos responsables de los daños y perjuicios causados por nuestro producto si:

- El producto se ha reparado incorrectamente.
- El producto se ha reparado con piezas que no eran del fabricante o no autorizadas por el fabricante.
- El producto tiene un accesorio que no es del fabricante o no está autorizado por este.
- El producto no se ha reparado en un centro de servicio autorizado o por un organismo homologado.

Emisiones Euro V



ADVERTENCIA: La manipulación del motor anula la homologación de la UE de este producto.

Seguridad

Definiciones de seguridad

Las advertencias, precauciones y notas se utilizan para destacar información especialmente importante del manual.



ADVERTENCIA: Indica un riesgo de lesiones o incluso de muerte del usuario o de las personas cercanas si no se respetan las instrucciones del manual.



PRECAUCIÓN: Indica un riesgo de daños en el producto, otros materiales o el área adyacente si no se respetan las instrucciones del manual.

Nota: Se usa para proporcionar más información necesaria en una situación determinada.

Instrucciones generales de seguridad



ADVERTENCIA: Lea las siguientes instrucciones de advertencia antes de utilizar el producto.

- Este producto es una herramienta peligrosa si se usa incorrectamente o si no se tiene cuidado. Puede causar lesiones graves o incluso la muerte si no siguen las instrucciones de seguridad.
- Este producto genera un campo electromagnético durante el funcionamiento. Este campo magnético puede, en determinadas circunstancias, interferir con implantes médicos activos o pasivos. Para reducir el riesgo de que se den condiciones que provocarían lesiones graves o letales, las personas que utilizan implantes médicos deben consultar con su médico y con el fabricante del implante antes de poner en marcha este producto.
- Proceda siempre con cuidado y utilice siempre el sentido común. Si no está seguro de cómo manejar el producto en una situación especial, pare y

consulte con su distribuidor Husqvarna antes de continuar.

- Debe tenerse en cuenta que el operador será responsable de los accidentes que involucren a otras personas o a su propiedad.
- Mantenga el producto limpio. Asegúrese de que puede leer claramente las etiquetas.
- No permita que nadie utilice el producto a menos que se asegure de que haya leído y comprendido el contenido del manual de usuario.
- No deje que un niño maneje el producto.
- Mantenga a los niños alejados de la zona de trabajo. Debe haber presente en todo momento una persona mayor de edad responsable.
- No permita que nadie maneje el producto sin conocer las instrucciones.
- Si una persona con discapacidad física o mental usa el producto, asegúrese de supervisarla en todo momento. Debe haber presente en todo momento una persona mayor de edad responsable.
- No utilice el producto si está cansado, enfermo o si se encuentra bajo los efectos de alcohol, drogas o medicamentos. Esto tiene un efecto negativo en su visión, vigilancia, coordinación y capacidad de decisión.
- No utilice el producto si está defectuoso.
- No modifique este producto ni lo utilice si puede haber sido modificado por otras personas.
- No cambie el ajuste del régimen del motor.

Seguridad en el área de trabajo



ADVERTENCIA: Lea las siguientes instrucciones de advertencia antes de utilizar el producto.

- Retire objetos tales como ramas, palos y piedras de la zona de trabajo antes de usar el producto.
- Los objetos que chocan contra el equipo de corte pueden salir despedidos y causar daños a personas y objetos. Mantenga a las personas y los animales a una distancia de seguridad respecto al producto.

- No utilice el producto en condiciones climáticas desfavorables, como niebla, lluvia, viento fuerte, frío intenso y riesgo de relámpagos. El uso del producto en condiciones climáticas desfavorables o en entornos húmedos o mojados produce mucho cansancio. El mal tiempo puede causar condiciones peligrosas, como superficies resbaladizas.
- Preste atención a las personas, objetos y situaciones que puedan impedir el funcionamiento seguro del producto.
- Tenga cuidado con los posibles obstáculos, como raíces, piedras, ramas, hoyos y zanjas. El césped crecido puede esconder obstáculos.
- Cortar el césped en pendientes puede resultar peligroso. No utilice el producto en pendientes de más de 15°.
- Utilice el producto a lo largo de las laderas de las pendientes. No se desplace hacia arriba y hacia abajo.
- Tenga cuidado cuando se acerque a esquinas y objetos escondidos que puedan bloquear su campo de visión.

Seguridad en el trabajo



ADVERTENCIA: Lea las siguientes instrucciones de advertencia antes de utilizar el producto.

- Utilice este producto para cortar solamente césped. No está permitido utilizar el producto para otras tareas.
- Utilice el equipo de protección personal. Consulte la sección *Equipo de protección personal en la página 99*.
- Asegúrese de que saber cómo detener el motor rápidamente en caso de emergencia.
- Nunca arranque el motor en un espacio cerrado ni cerca de materiales inflamables. Los gases de escape del motor están calientes y pueden contener chispas que pueden provocar un incendio.
- No utilice el producto a menos que la cuchilla y todas las cubiertas estén fijadas correctamente. Una cuchilla fijada incorrectamente puede soltarse y provocar daños personales.
- Asegúrese de que la cuchilla no golpea ningún objeto, como piedras y raíces. Esto puede causar daños a la cuchilla y doblar el eje del motor. Un eje doblado causa vibraciones excesivas y un riesgo muy alto de que la cuchilla se suelte.
- Si la cuchilla choca con algún objeto o si se producen vibraciones, pare el producto inmediatamente. Desconecte el cable de encendido de la bujía. Examine el producto para comprobar si presenta daños. Repare los daños o lleve el producto a un taller de servicio autorizado para realizar la reparación.
- No acople la maneta del freno del motor permanentemente al mango cuando el motor esté encendido.

- Ponga el producto en una superficie plana y estable, y arránquelo. Asegúrese de que la cuchilla no entre en contacto con el suelo u otros objetos.
- Manténgase siempre detrás del producto durante su uso.
- Mientras utilice el producto, mantenga todas las ruedas apoyadas en el suelo y las dos manos en el manillar. Mantenga alejados las manos y los pies de las cuchillas giratorias.
- No incline el producto con el motor en marcha.
- Tenga cuidado cuando tire del producto hacia atrás.
- Nunca levante el producto con el motor en marcha. Si tiene que levantar el producto, primero apague el motor y desconecte el cable de encendido de la bujía.
- No camine hacia atrás mientras utiliza el producto.
- Detenga el motor cuando se desplace por áreas sin hierba, por ejemplo, caminos de grava, piedra y asfalto.
- No corra con el producto con el motor en marcha. Camine siempre mientras utiliza el producto.
- Detenga el motor antes de cambiar la altura de corte. Nunca realice ajustes con el motor en marcha.
- No deje el producto desatendido con el motor en marcha. Pare el motor y asegúrese de que el equipo de corte no gire.

Instrucciones de seguridad para el funcionamiento

Equipo de protección personal



ADVERTENCIA: Lea las siguientes instrucciones de advertencia antes de utilizar el producto.

- El equipo de protección personal no elimina completamente el riesgo de lesiones, pero reduce la gravedad de las lesiones en caso de accidente. Deje que el distribuidor le ayude a seleccionar el equipo adecuado.
- Utilice protectores auriculares si el nivel de ruido es superior a 85 dB.
- Utilice botas o zapatos de trabajo antideslizantes. No utilice calzado abierto ni vaya descalzo.
- Utilice pantalones largos gruesos.
- Utilice guantes protectores cuando sea necesario, por ejemplo, para el montaje, inspección o limpieza del equipo de corte.

Dispositivos de seguridad en el producto



ADVERTENCIA: Lea las siguientes instrucciones de advertencia antes de utilizar el producto.

- No utilice un producto que tenga dispositivos de seguridad defectuosos.

- Realice una comprobación de los dispositivos de seguridad con frecuencia. Si los dispositivos de seguridad están defectuosos, hable con su taller de servicio Husqvarna.

Comprobación de la cubierta del equipo de corte

La cubierta del equipo de corte disminuye las vibraciones en el producto y el riesgo de lesiones provocadas por la cuchilla.

- Examine la cubierta de corte para asegurarse de que no haya daños como, por ejemplo, grietas.

Comprobación de la maneta de freno del motor

La maneta del freno del motor detiene el motor. Cuando se suelta la maneta del freno del motor, el motor se para.

- Arranque el motor y, a continuación, suelte la maneta de freno. Si el motor no se detiene en 3 segundos, lleve el producto a un taller de servicio Husqvarna autorizado para realizar el ajuste del freno del motor. (Fig. 15)

Comprobación de la cubierta trasera

La cubierta trasera reduce el riesgo de que salgan despedidos objetos hacia el usuario.

- Asegúrese de que la cubierta trasera no esté dañada.
- Asegúrese de que los muelles que cierran la cubierta trasera no estén rotos.
- Sustituya los muelles y piezas dañados.
- Asegúrese de que la cubierta trasera se mueve sin dificultad en las bisagras.

Silenciador

El silenciador mantiene al mínimo los niveles de ruido y aparta los gases de escape del operador.

No utilice el producto si el silenciador no está instalado o está defectuoso. Un silenciador defectuoso aumenta el nivel de ruido y el riesgo de incendio.



ADVERTENCIA: El silenciador se calienta mucho durante y después de su uso, y cuando el motor funciona a ralentí. Tenga cuidado cerca de materiales inflamables o gases para evitar incendios.

Comprobación del silenciador

- Examine el silenciador con frecuencia para asegurarse de que está montado correctamente y que no está dañado.

Seguridad en el uso del combustible



ADVERTENCIA: Lea las siguientes instrucciones de advertencia antes de utilizar el producto.

- No arranque el producto si está manchado con combustible o aceite del motor. Retire el combustible/aceite no deseado y deje secar el producto.
- Si derrama combustible sobre la ropa, cámbiese inmediatamente.
- Evite el contacto con el combustible; puede provocarle lesiones. Si entra en contacto con el combustible, utilice agua y jabón para eliminar el combustible.
- No arranque el motor si el producto tiene una fuga. Examine frecuentemente si hay fugas en el motor.
- Tenga cuidado con el combustible. El combustible es inflamable, sus vapores son explosivos y puede provocar lesiones o la muerte.
- No inhale los vapores de combustible, ya que pueden causar lesiones. Asegúrese de que hay ventilación suficiente.
- No fume cerca del combustible o el motor.
- No coloque objetos calientes cerca del combustible o el motor.
- No agregue el combustible con el motor encendido.
- Asegúrese de que el motor esté frío antes de repostar.
- Antes de repostar, abra la tapa del depósito de combustible lentamente y deje salir el exceso de presión con cuidado.
- No añada combustible al motor en interiores. Una circulación de aire insuficiente puede causar lesiones o la muerte por asfixia o inhalación de monóxido de carbono.
- Apriete el tapón del depósito de combustible completamente. Si el tapón del depósito de combustible no se aprieta, existe riesgo de incendio.
- Antes de arrancar el producto, llévelo a 3 m (10 pies) de distancia como mínimo del punto en el que llenó el depósito.
- No llene el depósito de combustible por completo. El calor hace que el combustible se expanda. Deje espacio en la parte superior del depósito de combustible.

Instrucciones de seguridad para el mantenimiento



ADVERTENCIA: Lea las siguientes instrucciones de advertencia antes de utilizar el producto.

- Los gases de escape del motor contienen monóxido de carbono, que es un gas inodoro, tóxico y muy peligroso. No arranque el motor en interiores ni en espacios cerrados.
- Antes de realizar el mantenimiento del producto, detenga el motor y desconecte el cable de encendido de la bujía.
- Utilice guantes protectores cuando realice el mantenimiento del equipo de corte. La cuchilla está

muy afilada y se pueden producir cortes con mucha facilidad.

- Los accesorios y modificaciones en el producto que no estén aprobados por el fabricante pueden causar daños graves o la muerte. No modifique el producto. Utilice siempre accesorios autorizados por el fabricante.
- Si el mantenimiento no se realiza correctamente y de forma regular, aumenta el riesgo de lesiones y daños en el producto.

- Realice únicamente las tareas de mantenimiento que se indican en este manual del propietario. Todos los demás trabajos de mantenimiento deben llevarse a cabo en un taller de servicio Husqvarna autorizado.
- Lleve el producto a un taller de servicio Husqvarna autorizado para realizar el mantenimiento de forma regular.
- Cambie las piezas dañadas, desgastadas o rotas.

Montaje

Introducción



ADVERTENCIA: Antes de montar el producto, debe leer y entender el capítulo sobre seguridad.



ADVERTENCIA: Retire el cable de la bujía antes de montar el producto.

Montaje del manillar

1. Coloque el tornillo (A) a través del manillar (B), la arandela de plástico (C) y el soporte del manillar (D). (Fig. 16)
2. Apriete la tuerca (E) completamente.
3. Coloque el tornillo (F) a través de la arandela (G) y el soporte del manillar. (Fig. 17)
4. Apriete la ruedecilla (H) por completo.

Ajuste del mango

1. Afloje las ruedecillas inferiores.
2. Mueva los mandos hacia el extremo inferior de las ranuras en el lado izquierdo y derecho del producto. (Fig. 18)
3. Ajuste la altura del manillar en una de las 2 posiciones disponibles.
4. Mueva los mandos hacia arriba, en dirección al manillar, hasta que finalice su recorrido y escuche un clic. (Fig. 19)

5. Apriete las ruedecillas por completo.

Para ajustar el producto en la posición de transporte

1. Afloje las ruedecillas inferiores.
2. Mueva las ruedecillas hacia el extremo inferior de las ranuras en el lado izquierdo y derecho del producto. (Fig. 18)
3. Doble el mango hacia delante. (Fig. 20)

Ajuste del producto en la posición de trabajo

1. Coloque el manillar en posición vertical. (Fig. 21)
2. Mueva las ruedecillas hacia arriba, en dirección al manillar, hasta que finalice su recorrido y escuche un clic. (Fig. 19)
3. Apriete las ruedecillas a fondo.

Para montar el recogedor de césped (LC 151, LC 151S)

1. Coloque el bastidor del recogedor de césped en la bolsa de hierba con la parte rígida de la bolsa en la parte inferior. Mantenga el mango del bastidor separado de la parte superior de la bolsa. (Fig. 22)
2. Fije la bolsa de hierba al bastidor con los clips. (Fig. 23)

Funcionamiento

Introducción



ADVERTENCIA: Antes de utilizar el producto, debe leer y entender el capítulo sobre seguridad.

Husqvarna Connect

Husqvarna Connect es una aplicación gratuita para su dispositivo móvil. La aplicación Husqvarna Connect

proporciona más funciones para su producto Husqvarna:

- Información ampliada sobre el producto.
- Información y asistencia sobre piezas y mantenimiento de productos.

Para empezar a utilizar Husqvarna Connect

1. Descargue la aplicación Husqvarna Connect en su dispositivo móvil.

2. Registre una cuenta en la aplicación Husqvarna Connect.
3. Siga las instrucciones de la aplicación Husqvarna Connect para conectarse y registrar el producto.

Antes de utilizar el producto

1. Lea detenidamente el manual de usuario y asegúrese de que entiende las instrucciones.
2. Examine el equipo de corte para asegurarse de que está conectado y ajustado correctamente. Consulte *Para inspeccionar el equipo de corte en la página 105*.
3. Llene el depósito de combustible. Consulte *Repostaje de combustible en la página 102*.
4. Llene el depósito de aceite y realice una comprobación del nivel de aceite. Consulte *Para realizar una comprobación del nivel de aceite en la página 105*.

Repostaje de combustible

Si es posible, utilice de gasolina de bajas emisiones/alquilatos. Si no puede utilizar gasolina de bajas emisiones/alquilatos, utilice una gasolina sin plomo o gasolina con plomo de buena calidad con un octanaje no inferior a 90.



PRECAUCIÓN: No utilice gasolina con un octanaje inferior a 90 octanos RON (87 AKI). Esto puede provocar daños en el producto.

1. Abra el tapón del depósito de combustible lentamente para liberar la presión.
2. Llene lentamente con una lata de combustible. Si derrama combustible, límpielo con un paño y deje que el combustible restante se seque. (Fig. 24)
3. Limpie la zona de alrededor del tapón del depósito de combustible.
4. Apriete el tapón del depósito de combustible completamente. Si el tapón del depósito de combustible no se aprieta, existe riesgo de incendio.
5. Antes de arrancarlo, lleve el producto a 3 m (10 pies) de distancia como mínimo del punto en el que llenó el depósito.

Para ajustar la altura de corte

1. Mueva la palanca de altura de corte hacia atrás para aumentar la altura de corte.
2. Mueva la palanca de altura de corte hacia delante para reducir la altura de corte. (Fig. 25)



PRECAUCIÓN: No ajuste la altura de corte demasiado baja. Las cuchillas pueden golpear el suelo si la superficie del césped no está nivelada.

Para arrancar el producto

1. Asegúrese de que el cable de encendido está conectado a la bujía.
2. Manténgase detrás del producto.
3. Sujete la maneta del freno del motor contra el manillar. (Fig. 26)
4. Sostenga la empuñadura de arranque con la mano derecha.
5. Tire lentamente de la cuerda de arranque hasta sentir cierta resistencia.
6. Tire con fuerza para arrancar el motor.



ADVERTENCIA: No se enrolle la cuerda de arranque alrededor de la mano.

Uso de la transmisión de las ruedas LC 151S & LB 256SP

- Empuje el mango de transmisión hacia el manillar. (Fig. 27)
- Suelte el mango de transmisión para desacoplar la transmisión, por ejemplo, cuando se acerque a un obstáculo.
- Antes de tirar del producto hacia atrás, desacople la transmisión y empuje el producto hacia adelante aproximadamente 10 cm.

Uso de la transmisión de las ruedas (LB 251S)

- Tire de la palanca de control en dirección al manillar. (Fig. 28)
- Separe la palanca de control del manillar para desacoplar la transmisión, por ejemplo, cuando se acerque a un obstáculo.

Nota: La palanca de control se desacopla automáticamente al soltar la maneta del freno.

- Antes de tirar del producto hacia atrás, separe la palanca de control del manillar y empuje el producto hacia adelante aproximadamente unos 10 cm para desacoplar la transmisión completamente.

Parada del producto

- Para detener solo la transmisión, suelte el mango de transmisión (LC 151S, LB 256SP) o la palanca de control (LB 251S).
- Para detener el motor, suelte la maneta del freno del motor.

Uso del producto con el recogedor de césped (LC 151, LC 151S)



ADVERTENCIA: No utilice el producto sin el recogedor de césped colocado o sin la cubierta trasera cerrada. Pueden salir despedidos objetos y lesionar al usuario.

1. Levante la cubierta trasera y retire el tapón del triturador, si estuviera instalado. (Fig. 29)
2. Monte el recogedor de césped; consulte *Para montar el recogedor de césped (LC 151, LC 151S) en la página 101.*
3. Coloque el recogedor de césped en el soporte.
4. Suelte la cubierta trasera y colóquela sobre el bastidor de la bolsa para césped. (Fig. 30)

Cambio del producto al modo de trituración (LC 151, LC 151S)

Asegúrese de que el motor está apagado antes de cambiar el producto al modo de trituración.

1. Levante la cubierta trasera y retire el recogedor de césped, si estuviera instalado.
2. Coloque el accesorio triturador en el canal de descarga. (Fig. 31)
3. Cierre la cubierta trasera y asegúrese de que está bien cerrada contra el tapón de trituración.
4. Sustituya la cuchilla por una cuchilla trituradora que se suministra en el kit de trituración. Consulte la sección *Para sustituir la cuchilla en la página 105.*

Cambio del producto al modo de descarga lateral

1. Levante la cubierta trasera y retire la bolsa para césped, si estuviera instalada.
2. Cierre la cubierta trasera y asegúrese de que está bien cerrada contra el producto.
3. Levante el bloqueo de descarga. (Fig. 32)

4. Abra la cubierta de descarga lateral e instale el deflector de descarga lateral en los pasadores de soporte. (Fig. 33)
5. Deje que la cubierta de descarga lateral se cierre contra el deflector de descarga lateral. Asegúrese de que el deflector de descarga lateral está firmemente fijado en su posición antes de utilizar el producto.

Vaciado del recogedor de césped



PRECAUCIÓN: Levante el recogedor de césped cuando lo desplace para evitar desgastes.

1. Levante el recogedor de césped con el mango del bastidor.
2. Utilice el mango del bastidor y el asa de la bolsa al vaciar el recogedor de césped. (Fig. 34)

Para obtener un buen resultado

- Use siempre una cuchilla afilada. Una cuchilla roma proporciona un resultado irregular y la superficie de corte de la hierba adquiere un tono amarillo. Una cuchilla afilada también utiliza menos energía que una cuchilla roma.
- No corte más de $\frac{1}{3}$ de la longitud del césped. Cuando empiece a cortar la hierba, utilice la altura de corte más alta. Examine el resultado y baje la altura de corte al nivel que corresponda. Si la hierba está muy larga, vaya despacio y realice dos pasadas si es necesario.
- Corte en direcciones distintas cada vez para evitar crear rayas en el césped.
- Levante la cubierta trasera y extraiga el recogedor de césped.
- Si hay un triturador y una cuchilla trituradora instalados, retírelos.
- Cierre la cubierta trasera antes de utilizar el producto. Cuando se utiliza el producto, la hierba cortada se expulsa por debajo de la cubierta trasera.

Mantenimiento

Introducción



ADVERTENCIA: Antes de realizar cualquier trabajo de mantenimiento, debe leer y entender el capítulo sobre seguridad.

Para todos los trabajos de mantenimiento y reparación del producto, es necesario realizar una formación especial. Nosotros garantizamos que los trabajos de mantenimiento y reparación sean realizados por profesionales. Si su distribuidor no es un taller de servicio, pídale información sobre el taller de servicio más cercano.

Programa de mantenimiento



PRECAUCIÓN: Asegúrese de que el filtro de aire esté hacia arriba y no contra el suelo cuando incline el producto. Podría dañar el motor.

Los intervalos de mantenimiento se calculan a partir del uso diario del producto. Los intervalos cambian si el producto no se utiliza a diario.

Para las tareas de mantenimiento identificadas con un *, consulte las instrucciones de *Dispositivos de seguridad en el producto en la página 99.*

Mantenimiento	Diario	Mensual	Cada temporada
Inspección general	X		
Compruebe el nivel de aceite	X		
Cambie el aceite (la primera vez a las 5 horas de uso; después, cada 50 h de uso) ⁴³			X
Limpie el producto	X		
Inspeccione el equipo de corte	X		
Examine la cubierta de corte *	X		
Examine de la maneta del freno del motor*	X		
Inspeccione el silenciador*		X	
Examine la bujía. Limpie o sustituya la bujía si fuese necesario			X
Inspección del filtro de aire	X		
Limpie el filtro de aire ⁴⁴		X	
Sustituya el filtro de aire			X
Inspeccione el sistema de combustible			X
Limpie las aletas de refrigeración del cilindro		X	
Inspeccione y ajuste el cable de embrague (LC 151S, LB 251S, LB 256SP)			X
Limpie debajo de la tapa de la transmisión (LB 251S)			X

Para realizar una inspección general

- Asegúrese de que todas las tuercas y los tornillos del producto estén apretados correctamente.

Para limpiar el producto externamente

- Use un cepillo para retirar las hojas, la hierba y la suciedad.
- Asegúrese de que la toma de aire de la parte superior del motor no esté obstruida.
- No utilice un equipo de limpieza a alta presión para limpiar el producto.
- Si utiliza agua para limpiar el producto, no dirija el chorro directamente sobre el motor.

Para limpiar la superficie interior de la cubierta de corte

1. Vacíe el depósito de combustible.
2. Inclíne el producto. Asegúrese de que la bujía apunta hacia arriba.



PRECAUCIÓN: Si el producto se pone con el filtro de aire hacia abajo, el motor puede dañarse.

3. Limpie la superficie interior de la cubierta de corte con una manguera de agua.

Limpieza debajo de la tapa de la transmisión (LB 251S)

1. Vacíe el depósito de combustible.
2. Inclíne el producto. Asegúrese de que la bujía apunta hacia arriba.



PRECAUCIÓN: Si el producto se pone con el filtro de aire hacia abajo, el motor puede dañarse.

3. Retire los 7 tornillos. (Fig. 35)
4. Extraiga la tapa de la transmisión.
5. Limpie la superficie con un cepillo.

⁴³ Si se utiliza el producto con una carga pesada o a temperaturas elevadas, sustituya el aceite del motor cada 25 horas.

⁴⁴ Límpielo con mayor frecuencia en condiciones polvorientas o cuando haya residuos en el aire. Si está muy sucio, sustituya el filtro de aire.



PRECAUCIÓN: Si se acumula agua o suciedad debajo de la tapa de la transmisión, se pueden causar daños en la transmisión.

6. Instale la tapa de la transmisión y apriete los 7 tornillos.

Para inspeccionar el equipo de corte



ADVERTENCIA: Para evitar el arranque accidental, desconecte el cable de encendido de la bujía.



ADVERTENCIA: Utilice guantes protectores cuando realice el mantenimiento del equipo de corte. La cuchilla está muy afilada y se pueden producir cortes con mucha facilidad.

1. Inspeccione el equipo de corte para comprobar si presenta daños o grietas. Sustituya siempre un equipo de corte dañado.
2. Inspeccione la cuchilla para comprobar si está dañada o roma.

Nota: Después de afilar la cuchilla, es necesario equilibrarla. El afilado, la sustitución y el equilibrado de la cuchilla deben realizarse en un centro de servicio. Si choca con un obstáculo que haga que el producto se pare, sustituya la cuchilla dañada. Lleve el producto a un centro de servicio, donde estimarán si la cuchilla puede afilarse o debe sustituirse.

Para sustituir la cuchilla

1. Bloquee la cuchilla con un bloque de madera. (Fig. 36)
2. Extraiga el tornillo de la cuchilla.
3. Desmonte la cuchilla.
4. Inspeccione el soporte de la cuchilla y el tornillo de la cuchilla para comprobar si presentan daños.
5. Inspeccione el eje del motor para asegurarse de que no está doblado.
6. Cuando instale la nueva cuchilla, colóquela con los extremos en ángulo en dirección a la cubierta de corte. (Fig. 37)
7. Asegúrese de que la cuchilla quede alineada con el centro del eje del motor.
8. Bloquee la cuchilla con un bloque de madera. Coloque la arandela elástica, y apriete el perno y la arandela con un par de 43 – 47 Nm. (Fig. 38)
9. Mueva la cuchilla en distintas direcciones manualmente y compruebe que gira libremente.



ADVERTENCIA: Use guantes resistentes. La cuchilla está muy afilada

y se pueden producir cortes con mucha facilidad.

10. Arranque el producto para hacer una prueba de la cuchilla. Si la cuchilla no está correctamente fijada, se produce una vibración en el producto o el resultado de corte no es satisfactorio.

Para realizar una comprobación del nivel de aceite



PRECAUCIÓN: Un nivel de aceite demasiado bajo puede causar daños en el motor. Compruebe el nivel de aceite antes de arrancar el producto.

1. Coloque el producto sobre una superficie nivelada.
2. Retire el tapón del depósito de aceite con la varilla de nivel acoplada.
3. Limpie el aceite de la varilla de nivel de aceite.
4. Introduzca la varilla de nivel totalmente en el depósito de aceite para obtener un resultado correcto del nivel de aceite.
5. Quite la varilla de nivel.
6. Compruebe el nivel de aceite que indica la varilla de nivel.
7. Si el nivel de aceite es bajo, llene con aceite de motor y vuelva a comprobar el nivel de aceite.

Sustitución del aceite del motor



ADVERTENCIA: El aceite del motor está muy caliente inmediatamente después de apagar el motor. Deje que el motor se enfríe antes de vaciar el aceite del motor. Si derrama aceite del motor y entra en contacto con la piel, lávese con agua y jabón.

(Fig. 39)

1. Ponga el producto en funcionamiento hasta que el depósito de combustible se vacíe.
2. Quite el cable de encendido de la bujía.
3. Retire el tapón del depósito de aceite.
4. Coloque un recipiente debajo del producto para recoger el aceite del motor.
5. Incline el producto para drenar el aceite de motor del depósito de aceite.
6. Llene el depósito con aceite de motor nuevo del tipo recomendado en *Datos técnicos en la página 109*.
7. Compruebe el nivel de aceite. Consulte la sección *Para realizar una comprobación del nivel de aceite en la página 105*.

Para examinar la bujía



PRECAUCIÓN: Utilice siempre el tipo de bujía recomendado. El uso de un tipo de bujía incorrecto puede causar averías en el producto.

- Examine la bujía si el motor tiene baja potencia, no es fácil de arrancar o no funciona correctamente al régimen de ralentí.
- Para reducir el riesgo de material no deseado en los electrodos de la bujía, siga estas instrucciones:
 - a) Asegúrese de que el régimen de ralentí está bien ajustado.
 - b) Asegúrese de que la mezcla de combustible sea correcta.
 - c) Asegúrese de que el filtro de aire esté limpio.
- Si la bujía está sucia, límpiela y asegúrese de que la distancia entre los electrodos sea la correcta, consulte *Datos técnicos en la página 109*. (Fig. 40)
- Sustituya la bujía si fuese necesario.

Filtro de aire

Un filtro de aire sucio puede provocar daños en el motor o que este no funcione correctamente. En condiciones polvorientas, realice el mantenimiento del filtro de aire con mayor frecuencia. Consulte *Mantenimiento en la página 103* para obtener información sobre cuándo cambiar el filtro de aire.

Nota: Sustituya siempre el filtro de aire si se avería.

Extracción e instalación del filtro de aire



ADVERTENCIA: Utilice guantes protectores.

1. Presione las fijaciones de la tapa del filtro de aire.
2. Retire con cuidado la tapa del filtro de aire (A) del motor.
3. Retire el filtro de aire (B). (Fig. 41)
4. Compruebe si el filtro de aire está dañado. Sustituya el filtro de aire si está dañado.
5. Limpie y examine el filtro de aire. Consulte la sección *Para limpiar el filtro de aire en la página 106*.
6. Para el montaje, efectúe el mismo procedimiento en el orden inverso.

Para limpiar el filtro de aire

Un filtro de aire sucio puede provocar daños en el motor o que este no funcione correctamente. En condiciones de trabajo con mucho polvo, realice el mantenimiento del filtro de aire con más frecuencia.

Consulte *Mantenimiento en la página 103* para obtener información sobre cuándo cambiar el filtro de aire.

1. Saque la cubierta del filtro de aire y extraiga el filtro.
2. Limpie el filtro golpeándolo suavemente contra una superficie plana. Para limpiar el filtro, no utilice nunca disolventes con petróleo, como el queroseno, ni aire comprimido.

Nota: Los filtros de aire utilizados durante mucho tiempo no se pueden limpiar por completo. Sustituya el filtro de aire con regularidad. Un filtro de aire dañado debe cambiarse siempre.

3. Cuando monte el filtro de aire, asegúrese de que quede totalmente sellado en su soporte.

Comprobación del deflector de descarga lateral

El deflector de descarga lateral está sujeto a la abertura de descarga lateral del producto. Reduce el riesgo de expulsión de objetos en dirección al usuario.

1. Asegúrese de que el deflector de descarga lateral no esté dañado.
2. Examine el deflector de descarga lateral. Asegúrese de que no ve defectos, como alguna grieta o que alguno de los muelles que empujan la puerta para cerrarla esté roto.
3. Sustituya el deflector de descarga lateral o los muelles en caso de estar dañados.

Para inspeccionar el sistema de combustible

- Examine el tapón del depósito de combustible y la junta del tapón para comprobar que no presenten daños.
- Examine la manguera de combustible para asegurarse de que no haya fugas. Si la manguera de combustible está dañada, lleve el producto a un taller de servicio para sustituirla.

Ajuste del cable del embrague (LC 151S, LB 251S, LB 256SP)

En las situaciones siguientes, es necesario reducir la longitud del cable del embrague:

- La transmisión de las ruedas no engrana cuando se tira del mango de transmisión o de la palanca de control de régimen.
- El producto se mueve lentamente con la transmisión de las ruedas engranada.

En las situaciones siguientes, es necesario alargar la longitud del cable del embrague:

- El producto se mueve sin que la transmisión de las ruedas esté engranada.
- Ajuste del cable del embrague:
 - a) Para reducir la longitud del cable del embrague, gire el tornillo de ajuste hacia la izquierda.

b) Para alargar la longitud del cable del embrague, gire el tornillo de ajuste hacia la derecha. (Fig. 42)

Si el producto continúa sin funcionar de manera satisfactoria después del ajuste, póngase en contacto con el distribuidor.

Resolución de problemas del motor

Problema	Causa posible	Solución
El motor no arranca.	El cable de encendido no está conectado correctamente.	Conecte el cable de encendido a la bujía.
	El depósito de combustible está vacío.	Llene el depósito de combustible con el tipo de combustible adecuado.
	El combustible es antiguo.	Drene el depósito de combustible y el carburador. Reposte con gasolina nueva.
	Hay suciedad en el carburador o la tubería de combustible.	Limpie el carburador, la tubería de combustible o ambos.
	La bujía está defectuosa.	Ajuste la distancia entre los electrodos y limpie o sustituya la bujía.
	Hay combustible en la bujía.	Limpie la bujía.
El motor no para.	El mecanismo de parada está defectuoso.	Desconecte el cable de encendido de la bujía. Lleve el producto a un taller de servicio autorizado para que lo reparen.
El motor no funciona correctamente.	El cable de encendido no está conectado correctamente.	Conecte el cable de encendido a la bujía.
	Hay suciedad en la tubería de combustible o el combustible ha caducado.	Limpie la tubería de combustible. Llene el depósito de combustible con combustible nuevo del tipo correcto.
	Hay una obstrucción en el tapón del depósito de combustible.	Limpie el tapón del depósito de combustible.
	Hay agua o suciedad en el sistema de combustible.	Vacíe el depósito de combustible. Llene el depósito de combustible con combustible nuevo del tipo correcto.
	El filtro de aire está sucio.	Limpie el filtro de aire.
	Es necesario ajustar el carburador.	Lleve el carburador a un taller de servicio para que lo ajusten.
El motor se calienta demasiado.	El nivel de aceite del motor es demasiado bajo.	Reponga con aceite de motor.
	El caudal de aire no es suficiente.	Limpie el filtro de aire y la caja del filtro de aire.
	Es necesario ajustar el carburador.	Lleve el carburador a un taller de servicio para que lo ajusten.
Se produce un fallo de encendido en el motor cuando funciona a régimen alto.	La distancia entre los electrodos de la bujía es demasiado corta.	Ajuste la distancia entre los electrodos.

Problema	Causa posible	Solución
El motor emite ruidos extraños con una carga normal.	Tipo de gasolina incorrecto.	Drene el depósito de combustible y el carburador. Reposte con gasolina nueva. Consulte la sección <i>Repostaje de combustible en la página 102</i> . Si el problema persiste, póngase en contacto con su taller de servicio más cercano.
El motor no funciona correctamente al ralentí.	La bujía está sucia o defectuosa, o la distancia entre los electrodos es demasiado grande.	Ajuste la distancia entre los electrodos o sustituya la bujía.
	Es necesario ajustar el carburador.	Ajuste el carburador.
	El filtro de aire está sucio.	Limpie el filtro de aire.

Transporte, almacenamiento y eliminación

Transporte y almacenamiento

- Para el transporte y almacenamiento del producto y del combustible, asegúrese de que no haya fugas ni humos. Las chispas o llamas abiertas, por ejemplo, de dispositivos eléctricos o calderas, pueden producir un incendio.
- Use siempre recipientes homologados para el transporte y almacenamiento de combustible.
- Vacíe el depósito de combustible antes de poner el producto en almacenamiento durante un largo periodo de tiempo. Deseche el combustible en una ubicación adecuada para su eliminación.
- Asegure el producto durante el transporte para evitar daños y accidentes.
- Mantenga el producto en un área cerrada para impedir el acceso a niños o personas no autorizadas.
- Mantenga el producto en un lugar seco y al abrigo de las heladas.

Eliminación

- Respete los requisitos de reciclaje locales y las normas aplicables.
- Deseche todos los productos químicos, como el aceite de motor o el combustible, en un centro de servicio o una ubicación adecuada para su eliminación.
- Cuando ya no use el producto, envíelo a un distribuidor Husqvarna o deséchelo en un punto de reciclaje.

Datos técnicos

Datos técnicos

	LC 151	LC 151S	LB 251S	LB 256SP
Motor				
Marca	Husqvarna	Husqvarna	Husqvarna	Husqvarna
Tipo de motor	Monocilíndrico, 4 tiempos, refrigeración forzada por aire, OHV	Monocilíndrico, 4 tiempos, refrigeración forzada por aire, OHV	Monocilíndrico, 4 tiempos, refrigeración forzada por aire, OHV	Monocilíndrico, 4 tiempos, refrigeración forzada por aire, OHV
Cilindrada, cm ³	166	166	166	166
Velocidad, rpm	2800	2800	2800	2800
Potencia nominal del motor, kW ⁴⁵	2,7	2,7	2,7	2,7
Sistema de encendido				
Bujía	Husqvarna HQT-7	Husqvarna HQT-7	Husqvarna HQT-7	Husqvarna HQT-7
Distancia de electrodos, mm	0,7-0,8	0,7-0,8	0,7-0,8	0,7-0,8
Sistema de combustible y lubricación				
Tipo de lubricación del motor	Salpicadura	Salpicadura	Salpicadura	Salpicadura
Capacidad del depósito de gasolina, litros	1,0	1,0	1,0	1,0
Capacidad del depósito de aceite, litros	0,5	0,5	0,5	0,5
Aceite del motor ⁴⁶	Husqvarna SAE 30	Husqvarna SAE 30	Husqvarna SAE 30	HusqvarnaSAE 30
Peso				
Con los depósitos vacíos, kg	31,1	32,6	32,0	33,1
Emisiones de ruido⁴⁷				
Nivel de potencia acústica medida, dB(A)	96	96	95	97
Nivel de potencia acústica garantizado, L _{WA} dB(A)	98	98	96	98

⁴⁵ La potencia de salida del motor indicada es la potencia neta media (a la velocidad especificada) de un motor de producción típico para el modelo de motor conforme a la norma SAE J1349/ISO1585. Los motores fabricados en serie podrían presentar valores diferentes. La potencia de salida real del motor instalado en el producto final dependerá de la velocidad de funcionamiento, las condiciones medioambientales y otros valores.

⁴⁶ Si utiliza aceite SAE-30 a temperaturas inferiores a +5 °C, existe el riesgo de que no lubrique el motor correctamente. Esto puede ocasionar daños en el motor. Consulte *Sustitución del aceite del motor en la página 105* para saber cuál es el aceite correcto para temperaturas bajas.

⁴⁷ Emisiones sonoras en el entorno medidas como potencia acústica (L_{WA}) según la directiva CE 2000/14/CE.

	LC 151	LC 151S	LB 251S	LB 256SP
Niveles acústicos⁴⁸				
Nivel de presión sonora en el oído del operario, dB(A)	86	86	82	86
Niveles de vibraciones⁴⁹				
Vibración en el manillar, m/s ²	8,5	8,5	4,7	7,5
Equipo de corte				
Altura de corte, mm	25-75	25-75	25-75	25-75
Anchura de corte, mm	510	510	510	560
Sistema de corte	Recogedor/Bio-Clip®/descarga lateral	Recogedor/Bio-Clip®/descarga lateral	BioClip®/descarga lateral	BioClip®/descarga lateral
Cuchilla estándar	Recogedor 598562601	Recogedor 598562601	Triturador 597683901	Triturador 598563601
Cuchilla auxiliar	Triturador 597683901	Triturador 597683901	–	–
Capacidad del recogedor de césped, litros	65	65	–	–
Transmisión				
Velocidad de movimiento, km/h	–	3,6	4,0	3,6

⁴⁸ Los datos referidos del nivel de presión sonora tienen una dispersión estadística habitual (desviación típica) de 1,2 dB (A).

⁴⁹ Los datos referidos del nivel de vibración poseen una dispersión estadística habitual (desviación típica) de 0,2 m/s².

Declaración de conformidad CE

Declaración de conformidad CE

Husqvarna AB, SE-561 82 Huskvarna (Suecia), tel.: +46-36-146500, declara que el **cortacésped Husqvarna LC 151, LC 151S, LB 251S, LB 256SP** del año 2020 y siguientes cumple los requisitos expuestos en la DIRECTIVA DEL CONSEJO:

- del 8 junio de 2011 sobre la "restricción de utilización de determinadas sustancias peligrosas" **2011/65/UE**.
- de 17 de mayo de 2006 "relativa a máquinas", **2006/42/CE**.
- de 26 de febrero de 2014 "relativa a compatibilidad electromagnética", **2014/30/UE**.
- de 8 de mayo de 2000 "relativa a emisiones sonoras en el entorno", **2000/14/CE**.

Para obtener información respecto a las emisiones sonoras, consulte la sección sobre datos técnicos.

Se han aplicado las normas siguientes:

EN ISO 5395-1:2013, EN ISO 5395-1:2013/A1, EN ISO 5395-2:2013, EN ISO 5395-2:2013/A1:2016, EN ISO 5395-2:2013/A2:2017, EN ISO 14982:2009

Si no se indica lo contrario, las normas anteriormente indicadas constituyen las últimas versiones publicadas.

Organismo notificado (LC 151, LC 151S, LB 256SP): **0036, TÜV SÜD Industrie Service GmbH, Westendstrasse 199, 80686 München, Germany** ha realizado una evaluación de conformidad según lo que se indica en el Anexo VI de la Directiva 2000/14/CE.

Organismo notificado (LB 251S): **0404, RISE SMP Svensk Maskinprovning AB, Box 7035, SE-750 07 Uppsala, Sweden** ha realizado una evaluación de conformidad según lo que se indica en el Anexo VI de la Directiva 2000/14/CE.

Huskvarna, 2020-10-20



Claes Losdal, Director de desarrollo/productos para el jardín (representante autorizado de Husqvarna AB y responsable de la documentación técnica).

Sisukord

Sissejuhatus.....	112	Mootori tõrkeotsing.....	122
Ohutus.....	113	Transportimine, hoiuolepanek ja utiliseerimine.....	123
Kokkupanek.....	115	Tehnilised andmed.....	124
Töö.....	116	EÜ vastavusdeklaratsioon.....	126
Hooldamine.....	118		

Sissejuhatus

Toote kirjeldus

Tooteks on lükatav ja pöörlev muruniiduk. Kinnitage tootele LC 151, LC 151S rohu kogumiseks rohukogur. Kinnitage rohu külgväljaviske väljaviske suunaja. Kinnitage tootele LC 151, LC 151S multšimiskomplekt, et lõigata rohi väetiseks.

Toote ülevaade

(Joon. 1)

1. Juhtraud
2. Mootori pidurikäepide
3. Veo käepide (LC 151S, LB 256SP)
4. Sõiduhob (LB 251S)
5. Tagumine kate (LC 151, LC 151S)
6. Rohukogur (LC 151, LC 151S)
7. Käepideme kõrguse seadistamise nupud
8. Lõikekõrguse hob
9. Õlipaagi kork ja möötevarras
10. Külgväljaviske kate
11. Summuti
12. Süüteküünel
13. Karburaator
14. Kütusepaagi kork
15. Sümbolid
16. Lõikekorpus
17. Õhufilter
18. Külgmine suunaja
19. Multšimiskomplekt (tarvik tootele LC 151, LC 151S)
20. Käivitushööri käepide
21. Kasutusjuhend

Sümbolid tootel

(Joon. 2) HOIATUS! Olge ettevaatlik ja kasutage toodet õigesti. Seade võib põhjustada kasutaja või kõrvaliste isikute ohtliku kehavigastuse või surma.

(Joon. 3) Enne seadme kasutamist lugege kasutusjuhend põhjalikult läbi, et kõik juhised oleksid täiesti arusaadavad.

Kasutusotstarve

Kasuta toodet muru pügamiseks. Ära kasuta toodet muude tööde tegemiseks.

- (Joon. 4) Olge ettevaatlik - lenduvad esemed ning tagasipõrkumise oht.
- (Joon. 5) Teised inimesed ja loomad peavad viibima tööalast ohutus kauguses.
- (Joon. 6) Hoiatus! Hoidke käed ja jalad pöörlevast terast eemal.
- (Joon. 7) Hoiatus! Hoidke käed ja jalad pöörlevatest osadest eemal.
- (Joon. 8) Enne seadme remontimist või hooldamist seisake mootor ja eemaldage süütejühe.
- (Joon. 9) Toode vastab ELi kehtivatele direktiividele.
- (Joon. 10) Ümbritsevasse keskkonda leviv müra vastavalt Euroopa Ühenduse direktiivile. Seadme müratase on ära toodud tehniliste andmete peatükis ja etiketil.
- (Joon. 11) Tuleoht.
- (Joon. 12) Ärge hingake sisse heitgaase. Mootori heitgaasid sisaldavad vingugaasi: lõhnatud, mürgist ja väga ohtlikku gaasi. Ärge käivitage mootorit siseruumis ega suletud alal.
- (Joon. 13) Kuum pind.
- (Joon. 14) Enne toote käivitamist täida mootor õliga.

Märkus: Seadmel toodud ülejäänud sümbolid/tähised viitavad teatud kommentarivaldkondade sertifitseerimisnõuetele.

Tootevastutus

Tootevastutusseaduste alusel ei vastuta me tootest tingitud kahjustuste eest, kui:

- toodet on valesti parandatud;
- toote parandamisel on kasutatud osi, mis ei ole tootja poolt valmistatud või heaks kiidetud;
- tootel on kasutatud tarvikut, mis ei ole tootja poolt valmistatud või heaks kiidetud;

- toodet ei ole parandatud volitatud hoolduskeskuses või volitatud isiku poolt.

Euro V heitmed



HOIATUS: Mootori igasugune modifitseerimine, muutmine või rikkumine tühistab toote EL-i tüübikinnituse.

Ohutus

Ohutuse määratlused

Mõistetega „hoiatus“, „ettevaatus“ ja „märkus“ juhitakse tähelepanu eriti olulistele kohtadele kasutusjuhendis.



HOIATUS: Tähistab kasutusjuhendi juhiste eiramise korral kasutaja või kõrvalseisjate kehavigastuse või surmaga lõppeva õnnetuse ohtu.



ETTEVAATUS: Tähistab kasutusjuhendi juhiste eiramise korral seadme, muude esemete või läheduses asuvate objektide kahjustamise ohtu.

Märkus: Tähistab antud olukorras vajalikku lisateavet.

Üldised ohutuseeskirjad



HOIATUS: Enne seadme kasutamist lugege läbi järgnevad hoiatused.

- Toode on ohtlik, kui seda kasutada valesti või ettevaatamatult. Ohutuseeskirjade eiramine võib põhjustada kehavigastuse või surma.
- Seade tekitab töötades elektromagnetvälja. Teatud tingimustel võib väli häirida aktiivsete või passiivsete meditsiiniliste implantaatide tööd. Raskete või surmaga lõppevate kehavigastuste ohtu vähendamiseks soovitakse meditsiinilisi implantaate kasutataval inimestel pidada enne selle seadme kasutamist nõu oma arsti ja implantaadi valmistajaga.
- Olge alati ettevaatlik ja kasutage tervet mõistust. Kui te pole kindel, kuidas toodet eriolukorras kasutada, lõpetage töö ja pidage enne jätkamist nõu Husqvarna edasimüüjaga.
- Arvestage, et teiste isikute ja nende varaga seotud õnnetuste korral kannab vastutust seadme kasutaja.
- Hoidke toode puhas. Veenduge, et märgid ja tähised oleksid selgelt loetavad.
- Ärge lubage kellelgi toodet kasutada enne, kui ta on lugenud kasutusjuhendit ja selle sisu endale selgeks teinud.
- Ärge lubage lastel seadet käsitseda.



HOIATUS: Enne seadme kasutamist lugege läbi järgnevad hoiatused.

- Enne toote kasutamist eemaldage tööalalt oksad ja kivid.
- Lõikeosaga kokku puutuvad esemed võivad õhku paiskuda ning inimesi vigastada ja esemeid kahjustada. Juuresolijad ja loomad peavad viibima tootest ohutus kauguses.
- Ärge kasutage toodet halva ilmaga, näiteks udus, vihma, tugeva tuule, tugeva pakase ja pikseohtu korral. Tootet kasutamine halva ilma ning niiskete ja märgade tingimuste korral on väsitav. Halb ilm võib põhjustada ohtlikke tingimusi (nt libedaid pindu).
- Suhtuge tähelepanelikult inimestesse, esemetesse ja olukordadesse, mis võivad takistada toote ohutut kasutamist.
- Olge ettevaatlik takistuste (nt juurte, kivide, oksade, aukude ja kraavide) suhtes. Kõrge rohi võib peita takistusi.
- Muru niitmine kallakutel võib olla ohtlik. Ärge kasutage toodet alal, mille kalle ületab 15°.
- Kasutage toodet kallakul risti liikudes. Ärge liikuge üles ja alla.
- Olge ettevaatlik varjatud nurkade ja vaatevälja varjavate esemete läheduses.

Tööohutus



HOIATUS: Enne seadme kasutamist lugege läbi järgnevad hoiatused.

- Kasutage seda toodet ainult muru niitmiseks. Muude toimingute tegemiseks toodet kasutada ei tohi.
- Kasutage isikukaitsevahendeid. Vt jaotist *Isikukaitsevahendid lk 114*.
- Veenduge, et teate, kuidas hädaolukorras mootorit kiiresti seisata.
- Ärge käivitage mootorit suletud ruumis ega tuleohtlike materjalide lähedal. Mootori heitgaasid on kuumad ja võivad sisaldada sädemeid, mis võivad tekitada tulekahju.
- Ärge kasutage toodet enne, kui lõiketera ja katted on õigesti kinnitatud. Valesti kinnitatud lõiketera võib lahti tulla ja inimesi vigastada.
- Veenduge, et lõiketera ei puutuks kokku esemetega (nt kivide ja juurtega). See võib lõiketera kahjustada ja põhjustada mootori võlli väändumist. Paindega telg põhjustab tugevat vibratsiooni ja suurt lõiketera lahtitulemise ohtu.
- Kui lõiketera puutub kokku mõne esemega või esineb vibratsioon, peatage toode viivitamatult. Lahutage süüteküünla süütejuhe. Kontrollige toodet kahjustuste suhtes. Parandage kahjustused või laske toodet remontida volitatud hooldustöökojas.
- Kui mootor töötab, ärge kinnitage mootori pidurikäepidid käepidemele jäädavalt.
- Asetage toode stabiilsele ja tasasele pinnale ning käivitage see. Veenduge, et lõiketera ei puutuks vastu maad ega muid esemeid.
- Olge toote kasutamisel alati toote taga.
- Tootte kasutamisel hoidke mõlema käega käepidemest ja kõik toote rattad maas. Hoidke käed ja jalad liikuvatest teradest eemal.
- Kui mootor on käivitatud, ärge kallutage toodet.
- Olge toote tagasisuunas tõmbamisel ettevaatlik.
- Kui mootor on käivitatud, ärge tõstke toodet. Kui teil on vaja toodet tõsta, seisake esmalt mootor ja lahutage süütejuhe süüteküünlast.
- Ärge kõndige toote kasutamise ajal tagurpidi.
- Seisake mootor, kui liigute alal, kus pole muru, näiteks kruusast, kivist ja asfaldist teedel.
- Ärge lükake toodet joostes, kui mootor on käivitatud. Tootte kasutamise ajal kõndige.
- Enne lõikamiskõrguse muutmist seisake mootor. Ärge tehke seadistusi, kui mootor töötab.
- Ärge laske toodet silmist, kui mootor töötab. Seisake mootor ja veenduge, et lõikeosa ei pöörleks.

Ohutusjuhised kasutamisel

Isikukaitsevahendid



HOIATUS: Enne seadme kasutamist lugege läbi järgnevad hoiatused.

- Isikukaitsevarustus ei välista täielikult kehavigastuste ohtu, kuid vähendab õnnetusjuhtumi korral kehavigastuse raskusastet. Õige varustuse valimiseks pöörduge edasimüüja poole.
- Kui müratase ületab 85 dB, kandke kuulmiskaitseid.
- Kandke vastupidavaid saapaid või jalatseid, mis on libisemiskindlad. Ärge kandke avatud jalatseid ega olge paljajalu.
- Kandke tugevaid pikki pükse.
- Vajaduse korral kandke kaitsekindaid, näiteks lõikeosa kinnitades, kontrollides või puhastades.

Toote ohutusseadised



HOIATUS: Enne seadme kasutamist lugege läbi järgnevad hoiatused.

- Ärge kunagi kasutage seadet, kui selle ohutusseadised on defektsed.
- Kontrollige ohutusseadiseid regulaarselt. Kui ohutusseadised on defektsed, pöörduge Husqvarna hooldustöökotta.

Lõikeosa kate kontrollimine

Lõikeosa kate vähendab toote vibratsiooni ja lõiketerast tingitud vigastuste ohtu.

- Kontrollige lõikeosa kahjustuste (nt pragude) suhtes.

Mootori pidurikäepidede kontrollimine

Mootori pidurikäepideme abil saab mootori seisata. Mootori pidurikäepideme vabastamisel mootor seiskub.

- Käivitage mootor ja vabastage seejärel mootori pidurikäepideme. Kui mootor kolme sekundi jooksul ei seisku, laste mootorpidurit reguleerida Husqvarna volitatud hooldustöökojas. (Joon. 15)

Tagumise kate kontrollimine

Tagumine deflektor vähendab esemete kasutaja suunas paiskumise ohtu.

- Veenduge, et tagumine kate oleks kahjustamata.
- Veenduge, et tagumise kate sulgurvedrud oleksid terved.
- Purunenud vedrud ja kahjustatud osad tuleb välja vahetada.
- Veenduge, et tagumine kate liiguks hingedel sujuvalt.

Summuti

Summuti ülesandeks on hoida müratase võimalikult madalal ja suunata mootori heitgaasid kasutajast eemale.

Ärge kasutage seadet, kui summuti puudub või on kahjustatud. Kahjustatud summuti tõstab mürataset ja suurendab tulekahju ohtu.



HOIATUS: Seadme töötamise ajal ja vahetult pärast töötamist ning mootori tühikäigul töötamise ajal on summuti väga kuum. Tulekahju vältimiseks olge tuleohtlike materjalide ja/või aurude läheduses väga ettevaatlik.

Summuti kontrollimine

- Kontrollige summutit regulaarselt ning veenduge, et see oleks õigesti kinnitatud ja kahjustamata.

Ohutusnõuded kütuse käsitsemisel



HOIATUS: Enne seadme kasutamist lugege läbi järgnevad hoiatused.

- Ärge käivitage toodet, kui toote pinnale on sattunud kütust või mootoriõli. Eemaldage kütus/õli toote pinnalt ja laske tootel kuivada.
- Kui kütus satub rõivastele, siis vahetage kohe riideid.
- Vältige kütuse sattumist nahale, see võib põhjustada kehavigastusi. Kui kütus satub kehale, puhastage piirkond seebi ja veega.
- Ärge käivitage toodet, kui mootor lekib. Kontrollige regulaarselt mootori lekkekindlust.
- Olge kütuse käsitsemisel ettevaatlik. Kütus on tuleohtlik ja kütuse aurud on plahvatusohtlikud ning võivad põhjustada kehavigastusi või surma.
- Ärge hingake sisse kütuseaure, see võib põhjustada kehavigastuse. Tagage piisav õhuvahetus.
- Ärge suitsetage kütuse ega mootori läheduses.
- Ärge asetage kuumi esemeid kütuse ega mootori lähedusse.
- Ärge tankige kütust, kui mootor töötab.

- Enne tankimise alustamist veenduge, et mootor oleks külm.
- Enne tankimise alustamist avage aeglaselt kütusepaagi kork ja laske survel alaneda.
- Ärge tankige mootorit siseruumis. Ebapiisav õhuvahetus võib põhjustada lämbumisest või vingugaasimürgitusest tingitud kehavigastuse või surma.
- Pingutage kütusepaagi korki korralikult. Pingutamata kütusepaagi kork põhjustab tuleohtu.
- Enne käivitamist viige toode vähemalt 3 m kaugusele kohast, kus toimus kütusepaagi täitmine.
- Ärge täitke kütusepaaki täielikult. Soojuste mõjul kütus paisub. Jätke kütusepaagi ülaserava vaba ruumi.

Ohutusjuhised hooldamisel



HOIATUS: Enne seadme kasutamist lugege läbi järgnevad hoiatused.

- Mootori heitgaasid sisaldavad vingugaasi: lõhnutat, mürgist ja väga ohtlikku gaasi. Ärge käivitage mootorit siseruumis ega suletud alal.
- Enne toote hooldamist seisake mootor ja eemaldage süüteküünla süütejuhe.
- Lõikeosa hooldamisel kandke kaitsekindaid. Lõiketera on väga terav ja võib kergesti põhjustada lõikevigastusi.
- Tootja heakskiiduta tarvikud ja muudatused toote juurest võivad põhjustada tõsiseid kehavigastusi või surma. Ärge muutke toodet. Kasutage tootja heakskiidetud tarvikuid.
- Kui toodet regulaarselt ja õigesti ei hooldata, suureneb oht, et toode saab kahjustada ja võib kedagi vigastada.
- Hooldage toodet ainult selle kasutusjuhendi järgi. Muid hooldustöid tuleb lasta teha Husqvarna heakskiiduga hooldustöökojas.
- Laske toodet regulaarselt hooldada Husqvarna heakskiiduga hooldustöökojas.
- Asendage kahjustatud, kulunud ja katkised osad.

Kokkupanek

Sissejuhatus



HOIATUS: Enne seadme kokkupanemist lugege põhjalikult läbi ohutust puudutav jaotis.



HOIATUS: Enne seadme kokkupanemist eemaldage süüteküünala juhe süüteküünla küljest.

Käepideme kokkupanek

1. Lükka kruvi (A) läbi käepideme (B), plastseibi (C) ja käepideme tugikronsteini (D). (Joon. 16)
2. Keera mutter (E) täiesti kinni.
3. Lükka kruvi (F) läbi seibi (G) ja käepideme tugikronsteini. (Joon. 17)
4. Keera nupp (H) täiesti kinni.

Käepideme reguleerimine

1. Keerake alumised hoovad lahti.

2. Liigutage nupud toote vasakul ja paremal küljel olevatesse soonetesse. (Joon. 18)
3. Reguleerige käepideme kõrgus ühte kahest võimalikust asendist.
4. Liigutage nuppusid üles käepideme suunas, kuni need peatuvad ja kostub klõpsatus. (Joon. 19)
5. Keerake nupud korralikult kinni.

Muruniiduki seadmine transportasendisse

1. Keerake alumised hoovad lahti.
2. Liigutage nupud toote vasakul ja paremal küljel olevatesse soonetesse. (Joon. 18)
3. Keerake käepide ettepoole. (Joon. 20)

Toote seadmine töösendis

1. Pöörake käepide püstasendisse. (Joon. 21)
2. Liigutage nuppusid üles käepideme suunas, kuni need peatuvad ja kostub klõpsatus. (Joon. 19)
3. Keerake nupud korralikult kinni.

Rohukoguri kokkupanek (LC 151, LC 151S)

1. Kinnitage rohukoguri raam rohukoti külge nii, et koti jäik osa jääb põhja. Veenduge, et raami käepide oleks koti ülaservast eemal. (Joon. 22)
2. Kinnitage rohukott klambritega raami külge. (Joon. 23)

Töö

Sissejuhatus



HOIATUS: Enne seadme kasutamist lugege põhjalikult läbi ohutust puudutav jaotis.

Husqvarna Connect

Husqvarna Connect on mobiilsideseadmetele mõeldud tasuta rakendus. Rakendus Husqvarna Connect annab teie Husqvarna tootele lisafunktsionaalsuse:

- Täiendav tooteteave.
- Toote osade ja hoolduse alane teave ja abi.

Toote Husqvarna Connect kasutamise alustamine

1. Laadige Husqvarna Connect rakendus oma mobiilsideseadmesse.
2. Registreeruge Husqvarna Connect rakenduses.
3. Toote ühendamiseks ja registreerimiseks järgige Husqvarna Connect rakenduse juhiseid.

Enne toote kasutamist

1. Lugege kasutusjuhend põhjalikult läbi, et kõik juhised oleksid täiesti arusaadavad.
2. Veenduge, et lõikeosa oleks õigesti kinnitatud ja reguleeritud. Vt jaotist *Lõikeosa kontrollimine lk 119*.
3. Täitke kütusepaak. Vt jaotist *Kütuse tankimine lk 116*.
4. Täitke õlipaak ja kontrollide õlitaset. Vt jaotist *Õlitaseme kontrollimine lk 119*.

Kütuse tankimine

Võimaluse korral kasutage keskkonnasäästlikku bensiini/alkülaatbensiini. Kui keskkonnasäästlik või alkülaatbensiin pole saadaval, kasutage kvaliteetset

pliivaba bensiini või pliibensiini, mille oktaaniarv on vähemalt 90.



ETTEVAATUST: Ärge kasutage bensiini, mille oktaaniarv on alla 90 RON (87 AKI). See võib seadet kahjustada.

1. Surve vabastamiseks avage kütusepaagi kork aeglaselt.
2. Lisage kütust aeglaselt kütusenõust. Mahavalgumise korral eemaldage osa kütust lapiga ja laske ülejäänul ära kuivada. (Joon. 24)
3. Puhastage kütusepaagi korgi ümbrus.
4. Pingutage kütusepaagi korki korralikult. Pingutamata kütusepaagi kork põhjustab tuleohtu.
5. Enne käivitamist viige toode vähemalt 3 m kaugusele kohast, kus toimus kütusepaagi täitmine.

Lõikamiskõrguse reguleerimine

1. Lõikamiskõrguse suurendamiseks tõmmake lõikamiskõrguse hooba tagasisuunas.
2. Lõikamiskõrguse vähendamiseks lükake lõikamiskõrguse hooba edasisuunas. (Joon. 25)



ETTEVAATUST: Ärge seadistage lõikamiskõrgust liiga madalaks. Kui muru pole tasane, võivad lõiketerad puutuda vastu maad.

Toote käivitamine

1. Veenduge, et süütejuhe ja süüteküünl oleksid omavahel ühendatud.
2. Olge toote taga.
3. Hoidke mootori pidurikäepidet juhtraua vastas. (Joon. 26)
4. Hoidke starteri nööri käepidet paremas käes.

5. Tõmmake starteri nõõri väljasuunas, kuni tunnete vastujõudu.
6. Tõmmake hooga, nii et mootor käivitub.



HOIATUS: Käivitusnõõri ei tohi kerida käe ümber.

Veo kasutamine ratastel LC 151S & LB 256SP

- Lükake veo käepidet juhtraua suunas. (Joon. 27)
- Veo vabastamiseks vabastage veo käepide näiteks siis, kui lähenete takistusele.
- Enne seadme tagasisuunas tõmbamist vabastage vedu ja lükake seadet umbes 10 cm edasisuunas.

Veo kasutamine ratastel (LB 251S)

- Tõmba juhtkangi käepideme suunas. (Joon. 28)
- Lükka juhtkangi käepidemest eemale, et lahutada veosüsteem, nt kui oled takistuse lähedal.

Märkus: Juhtkang lahutatakse automaatselt, kui vabastad mootori piduri käepideme.

- Enne toote tõmbamist tagasisuunal, lükka juhtkang käepidemest eemale ja lükka toodet edasi ligikaudu 10 cm, et veoülekanne täielikult lahutada.

Seadme seiskamine

- Ainult veoülekannde seiskamiseks vabasta toote (LC 151S, LB 256SP) veo käepide või toote (LB 251S) juhtkang.
- Mootori seiskamiseks vabastage mootoripiduri käepide.

Toote kasutamine rohukoguriga (LC 151, LC 151S)



HOIATUS: Ärge kasutage toodet, kui rohukogur pole paigaldatud või tagumine kate suletud. Vastasel juhul võivad esemed õhku paiskuda ja kasutajat vigastada.

1. Tõstke tagumine kate üles ja eemaldage multšikork, kui see on paigaldatud. (Joon. 29)
2. Paigaldage rohukogur, vt *Rohukoguri kokkupanek (LC 151, LC 151S) lk 116*.
3. Asetage rohukogur kronsteinile.
4. Vabastage tagumine kate ja laske sel toetuda rohukoti raami ülaservale. (Joon. 30)

Toote seadistamine multšimisrežiimile (LC 151, LC 151S)

Veenduge, et mootor on välja lülitatud, enne kui seadistate toote multšimisrežiimi.

1. Tõstke tagumine kate üles ja eemaldage rohukogur, kui see on paigaldatud.
2. Asetage multšikork väljaviskekanalisse. (Joon. 31)
3. Sulgege tagumine kate ja veenduge, et see on tihkelt suletud vastu multšikorki.
4. Asendage lõiketera multšimiskomplektis oleva multšimisteraga. Vt jaotist *Lõiketera vahetamine lk 119*.

Toote seadistamine külgväljaviske režiimile

1. Tõstke tagumine kate üles ja eemaldage rohukott (kui see on paigaldatud).
2. Sulgege tagumine kate ja veenduge, et see on tihkelt suletud vastu toodet.
3. Tõstke väljaviske lukku. (Joon. 32)
4. Ava külgväljaviskekate ja paigalda külgväljaviske suunaja tugitihvidele. (Joon. 33)
5. Lase külgväljaviskekattel sulguda vastu külgväljaviskesuunajat. Veenduge, e külgväljaviskesuunaja on tugevalt omal kohal, enne kui alustate tootega tööd.

Rohukoguri tühjendamine



ETTEVAATUST: Kulumise vältimiseks tõsta rohukogur liigutamise ajal üles.

1. Tõstke rohukogur raami käepideme abil üles.
2. Rohukoguri tühjendamisel kasuta raami käepidet ja koti käepidet. (Joon. 34)

Hea tulemuse saavutamine

- Kasutage vahedat lõiketera. Nüri tera annab ebahühtlase tulemuse ja muru lõigatud osa muutub kollaseks. Terav lõiketera on nüri teraga võrreldes energiasäästlikum.
- Lõigake kuni pool muru pikkusest. Kui alustate niitmist, alustage kõrgeima lõikamiskõrgusega Vaadake tulemust ja seadistage lõikamiskõrgus soovitud madalamale tasemele. Kui rohi on väga pikk, sõitke aeglaselt ja vajadusel niitke kaks korda.
- Niitke iga kord erinevas suunas, et ära hoida triipude tekkimist murule.
- Kergitage tagakaant ja eemaldage rohukogur.
- Kui seadmele on paigaldatud multšikork ja multšimistera, eemaldage need.
- Enne seadme kasutamist sulgege tagumine kate. Seadme töötamise ajal väljub lõigatud rohi tagumise katte alt.

Hooldamine

Sissejuhatus



HOIATUS: Enne seadme hooldamist lugege põhjalikult läbi ohutust puudutav peatükk.

Hooldusintervallide arvutamisel on aluseks võetud toote igapäevane kasutamine. Intervallid muutuvad, kui toodet igapäevaselt ei kasutata.

Tärniga (*) tähistatud hooldustööde kohta leiате juhised peatükist *Toote ohutusseadised lk 114*.

Toote hooldamiseks ja remontimiseks on vaja erioskusi. Tagame asjatundliku remondi- ja hooldustöö. Kui edasimüüjal, kellelt toote ostsite, pole hooldustöökoda, küsige neilt teavet lähima hooldustöökoja kohta.

Hoolduskeem



ETTEVAATUST: Toote kallutamisel veenduge, et õhufilter oleks üleval, mitte vastu maad. Tekib mootori kahjustamise oht.

Hooldamine	Üks kord päevas	Üks kord kuus	Igal aastaajal
Üldkontrolli läbiviimine	X		
Õlitaseme kontrollimine	X		
Õlivahetus (esmaltpärast 5 töötundi, seejärel iga kord 50 töötundi järel) ⁵⁰			X
Toote puhastamine	X		
Lõikeosa kontrollimine	X		
Kontrollige lõikekatet *	X		
Kontrollige mootori pidurikäepidet *	X		
Kontrollige summutit *		X	
Kontrolli süüteküünalt. Vajaduse korral vaheta süüteküünal välja või puhasta seda.			X
Õhufiltri kontrollimine	X		
Puhastage õhufilter. ⁵¹		X	
Vahetage õhufilter.			X
Kütusesüsteemi kontrollimine			X
Puhasta silindri jahutusribid.		X	
Kontrolli ja reguleeri siduritrossi tootel (LC 151S, LB 251S, LB 256SP)			X
Puhasta ülekandekatte alust (LB 251S)			X

⁵⁰ Kui toode töötab suurtel koormustel või on ümbritsev temperatuur kõrge, siis vaheta mootoriõli iga 25 tunni järel.

⁵¹ Tolmuste töötingimuste või lendleva prügi korral puhasta sagedamini. Asenda õhufilter, kui see on väga must.

Üldülevaatuse läbiviimine

- Veenduge, et kõik toote mutrid ja kruvid oleksid korralikult kinni pingutatud.

Toote välikorpuse puhastamine

- Eemaldage lehed, muru ja pori harja abil.
- Veenduge, et mootori peal asuv õhuvõtuava oleks takistustest vaba.
- Ärge kasutage seadme puhastamiseks survepesurit.
- Kui kasutate toote puhastamiseks vett, ärge suunake vett otse mootorile.

Lõikekorpuse sisepinnapuhastamine

1. Tühjendage kütusepaak.
2. Kalluta toodet. Veendu, et süüteküünal on suunaga üles.



ETTEVAATUST: Kui toode on asetatud selliselt, et õhufilter jääb allapoole, võib mootor kahjustada saada.

3. Loputage lõikekorpuse sisepinda veega.

Toote (LB 251S)ülekandekatte aluse puhastamine

1. Tühjendage kütusepaak.
2. Kalluta toodet. Veendu, et süüteküünal on suunaga üles.



ETTEVAATUST: Kui toode on asetatud selliselt, et õhufilter jääb allapoole, võib mootor kahjustada saada.

3. Eemalda 7 kruvi. (Joon. 35)
4. Eemalda ülekandekate.
5. Puhasta pinda harjaga.



ETTEVAATUST: Vesi või saastus ülekandekatte all võib põhjustada ülekandele kahjustusi.

6. Paigalda ülekandekate ja seitse kruvi.

Lõikeosa kontrollimine



HOIATUS: Tahtmatu käivitamise ärahoidmiseks eemaldage süüteküünalt süütejühe.



HOIATUS: Lõikeosa hooldamisel kandke kaitsekindaid. Lõiketera on väga terav ja võib kergesti põhjustada lõikevigastusi.

1. Kontrollige lõikeosa kahjustuste ja mõrade suhtes. Kahjustatud lõikeosa tuleb alati välja vahetada.
2. Kontrollige, kas lõiketera on kahjustatud või nüri.

Märkus: Teritamise järel tuleb lõiketera tasakaalustada. Lõiketera teritamine, asendamine ja tasakaalustamine usaldage hooldustehnikule. Kui toode pörkub vastu eset, mis põhjustab toote seiskumise, vahetage välja kahjustatud lõiketera. Laske hoolduskeskuses hinnata, kas tera saab teritada või tuleb see välja vahetada.

Lõiketera vahetamine

1. Lukustage lõiketera mõne puuklotsiga. (Joon. 36)
2. Eemaldage lõiketera polt.
3. Eemaldage lõiketera.
4. Eemaldage lõiketera tugi ja polt ning kontrollige, kas esineb kahjustusi.
5. Kontrollige mootori võlli ja veenduge, et see poleks väändunud.
6. Uue lõiketera kinnitamisel suunake nurksed otsad lõikekorpuse poole. (Joon. 37)
7. Veenduge, et lõiketera ja mootori võlli kese oleksid kohakuti.
8. Lukustage lõiketera mõne puuklotsiga. Kinnitage vedruseib ning pingutage polti ja seibi momendiga 43 – 47 Nm. (Joon. 38)
9. Keerake tera käega, veendumaks, et see pöörleb vabalt.



HOIATUS: Kasutage tugevaid kindaid. Lõiketera on väga terav ja võib kergesti põhjustada lõikevigastusi.

10. Tera katsetamiseks käivitage toode. Kui tera on valesti kinnitatud, siis toode vibreerib ja niitmistulemus pole rahuldav.

Õlitaseme kontrollimine



ETTEVAATUST: Liiga madal õlitase võib mootorit kahjustada. Enne toote käivitamist kontrollige õlitaset.

1. Asetage toode tasasele pinnale.
2. Eemaldage õlipaagi kork koos kinnitatud mõõtevardaga.
3. Puhastage mõõtevarras õlist.
4. Õlitase õigesti mõõtmiseks asetage mõõtevarras täies pikkuses õlipaaki.
5. Eemaldage õlivarras.
6. Vaadake mõõtevardalt õlitaset.
7. Kui õlitase on madal, lisage mootoriõli ja kontrollige õlitaset uuesti.

Mootoriõli vahetamine



HOIATUS: Vahetult pärast mootori seiskamist on mootoriõli väga kuum. Enne mootoriõli väljutamist laske mootoril maha

jahtuda. Kui mootoriõli satub nahale, puhastage piirkond vee ja seebiga.

(Joon. 39)

1. Kasutage toodet, kuni kütusepaak on tühi.
2. Eemaldage süüteküünla süütejuhe.
3. Eemaldage õlipaagi kork.
4. Asetage toote alla mõni mahuti, kuhu mootoriõli saaks valguda.
5. Kallutage toodet, et mootoriõli valguks õlipaagist välja.
6. Lisage uut mootoriõli (vt jaotises *Tehnilised andmed lk 124* soovitatud tüüpi).
7. Kontrollige õlitaset. Vt jaotist *Õlitaseme kontrollimine lk 119*.

Süüteküünla kontrollimine



ETTEVAATUST: Kasutage alati soovitatud tüüpi süüteküünalt. Vale tüüpi süüteküünal võib toodet kahjustada.

- Kontrollige süüteküünalt, kui mootori võimsus on madal, mootor ei käivitu kergesti või ei tööta tühikäigul korralikult.
- Süüteküünla elektroodidele võõrainete kogunemise ohu vähendamiseks täitke järgmisi juhiseid.
 - a) Veenduge, et tühikäigu pöörete arv on õigesti seadistatud.
 - b) Veenduge, et kütusesegu oleks õige.
 - c) Veenduge, et õhufilter oleks puhas.
- Kui süüteküünal on määratud, puhastage see ja kontrollige, kas elektroodide vahe on õige, vt jaotist *Tehnilised andmed lk 124*. (Joon. 40)
- Vajaduse korral vahetage süüteküünal välja.

Õhufilter

Määratud õhufilter võib põhjustada mootorikahjustusi või ei tööta õigesti. Tolmuste tingimuste korral tee õhufiltri hooldustöid sagedamini. Vt lisateavet *Hooldamine lk 118*, millal vahetada õhufiltrit.

Märkus: Kahjustatud õhufilter tuleb alati välja vahetada.

Toote õhufiltri eemaldamine ja paigaldamine



HOIATUS: Kasuta kaitsekindaid.

1. Ava klambrid õhufiltri kattel.
2. Eemalda mootorilt ettevaatlikult õhufiltri kate (A).
3. Eemalda õhufilter (B). (Joon. 41)
4. Veendu, et õhufiltril poleks kahjustusi. Vahetage kahjustatud õhufilter välja.

5. Puhasta ja kontrolli õhufiltrit. Vt jaotist *Õhufiltri puhastamine lk 120*.

6. Paigalda vastupidises järjestuses.

Õhufiltri puhastamine

Määratud õhufilter võib põhjustada mootorikahjustusi või ei tööta õigesti. Tolmuste tingimuste korral tehke õhupuhasti hooldustöid sagedamini.

Vt lisateavet *Hooldamine lk 118*, millal vahetada õhufiltrit.

1. Eemaldage õhufiltri kate ja filter.
2. Puhastage filtrit, koputades seda vastu tasast pinda. Ärge kunagi kasutage filtri puhastamiseks lahustit, mis sisaldab petrooleumi või suruõhku.

Märkus: Pikka aega kasutuses olnud õhufiltreid ei saa täielikult puhastada. Vahetage õhufiltrit regulaarselt. Kahjustatud õhufilter tuleb alati vahetada.

3. Kui panete õhufiltrit kokku, siis veenduge, et on tihedasti vastu filtrihoidikut.

Külgväljaviskesuunaja kontrollimine

Külgväljaviskesuunaja on kinnitatud toote külgväljaviskeavale. See vähendab niiduki kasutaja suunas paiskuvatest esemetest tingitud ohtu.

1. Veenduge, et külgväljaviskesuunaja oleks kahjustamata.
2. Uurige külgväljaviskesuunajat. Veenduge, et sellel pole kahjustusi, nt mörad või murdunud vedrud, mis suruvad luuki kinni.
3. Kui külgväljaviskamisesuunaja või vedrud on kahjustatud, vahetage need välja.

Kütusesüsteemi kontrollimine

- Kontrollige kütusepaagi korki ja selle tihendit kahjustuste suhtes.
- Kontrollige kütusevoolikut lekete suhtes. Kahjustatud kütusevoolikut laske hooldustöökojas välja vahetada.

Siduritrossi reguleerimine (LC 151S, LB 251S, LB 256SP)

Järgmistes olukordades on vajalik vähendada siduritrossi pikkust:

- rataste vedu ei rakendu, kui tõmbate veo käepidemest või pöörlemiskiiruse reguleerimise hoovast;
- kui rataste vedu on rakendatud, liigub toode aeglaselt.

Järgmistes olukordades on vajalik suurendada siduritrossi pikkust:

- toode liigub, kui rataste vedu pole rakendatud.
- Siduritrossi reguleerimine.

- a) Siduritrossi pikkuse vähendamiseks pöörake reguleerimiskruvi vastupäeva.
- b) Siduritrossi pikendamiseks keerake reguleerimiskruvi päripäeva. (Joon. 42)

Kui tööde liigub ebarahuldavalt pärast reguleerimist, võtke ühendust hooldustöökojaga

Mootori tõrkeotsing

Probleem	Võimalik põhjus	Lahendus
Mootor ei käivitu.	Süütejuhe pole õigesti ühendatud.	Ühendage süütejuhe süüteküünlaga.
	Kütusepaak on tühi.	Täitke kütusepaak õiget tüüpi kütusega.
	Kütus on vana.	Tühjenda kütusepaak ja karburaator. Täida uue bensiiniga.
	Karburaatoris või kütusevoolikus on mustus.	Puhastage karburaator ja/või kütusevoolik.
	Süüteküünal on defektne.	Reguleerige elektrodide vahet, puhastage või vahetage välja süüteküünal.
	Süüteküünal on kütus.	Puhasta süüteküünal.
Mootor ei seisku.	Peatamismehhanism on defektne.	Lahutage süüteküünla süütejuhe. Laske toode remontida volitatud hooldustöökohas.
Mootor ei tööta sujuvalt.	Süütejuhe pole õigesti ühendatud.	Ühendage süütejuhe süüteküünlaga.
	Kütusevoolikus on mustus või kütus on otsa saanud.	Puhastage kütusevoolik. Lisage kütusepaaki õiget liiki kütust.
	Kütusepaagi kork on ummistunud.	Puhastage kütusepaagi kork.
	Kütusesüsteemis on vesi või mustus.	Tühjendage kütusepaak. Lisage kütusepaaki õiget liiki kütust.
	Õhufilter on määrdunud.	Puhastage õhufilter.
	Karburaatorit tuleb reguleerida.	Laske hooldusesinduses karburaatorit reguleerida.
Mootor läheb liiga kuumaks.	Mootoriõli tase on liiga madal.	Lisage mootoriõli.
	Õhuvool pole piisav.	Puhastage õhufilter ja õhufiltri korpus.
	Karburaatorit tuleb reguleerida.	Laske hooldusesinduses karburaatorit reguleerida.
Kui mootor töötab suurel kiirusel, hakkab see töötakte vahel jätma.	Süüteküünla elektrodide vahe on liiga väike.	Reguleerige elektrodide vahet.
Normaalkoormuse korral kostub mootorist ebatavalist heli.	Kasutatakse valet tüüpi bensiini.	Tühjenda kütusepaak ja karburaator. Täida uue bensiiniga. Vt jaotist <i>Kütuse tankimine lk 116</i> . Probleemi püsimise korral pöörduge hooldustöökotta.
Mootor ei tööta tühikäigul sujuvalt.	Süüteküünal on määrdunud või defektne või elektrodide vahe on liiga suur.	Reguleerige elektrodide vahetakast või vahetage süüteküünal välja.
	Karburaatorit tuleb reguleerida.	Reguleerige karburaatorit.
	Õhufilter on määrdunud.	Puhastage õhufilter.

Transportimine ja hoiustamine

- Toote ja kütuse transportimisel ning hoiustamisel veenduge, et puuduvad lekked ja aarud. Elektriseadmetest või boileritest pärit sädemed ja lahtine leek võivad põhjustada tulekahju.
- Kütuse transportimiseks ja hoiustamiseks kasutage heakskiidetud mahuteid.
- Toote pikaks ajaks hoiule panemisel tühjendage eelnevalt kütusepaak. Kõrvaldage kütus spetsiaalses jäätmejaamas.
- Transportimisel kinnitage toode ohutult, et ära hoida kahjustusi ja õnnetusi.
- Hoidke toodet lukustatud kohas, kus sellele ei pääse juurde lapsed ega volitamata isikud.
- Hoidke toodet kuivas kohas, mis ei külmu.

Kõrvaldamine

- Järgige kohalikke jäätmekäitluseeskirju ja kehtivaid seadusi.
- Kemikaalid (nt mootoriõli ja kütus) kõrvaldage hoolduskeskuses või spetsiaalses jäätmejaamas.
- Kui toodet enam ei kasutata, toimetage see Husqvarna edasimüüjale või kõrvaldage see taaskasutuskeskuses.

Tehnilised andmed

Tehnilised andmed

	LC 151	LC 151S	LB 251S	LB 256SP
Mootor				
Kaubamärk	Husqvarna	Husqvarna	Husqvarna	Husqvarna
Mootori tüüp	Ühesilindriline, neljatakilline, sundõhkjahutus, OHV	Ühesilindriline, neljatakilline, sundõhkjahutus, OHV	Ühesilindriline, neljatakilline, sundõhkjahutus, OHV	Ühesilindriline, neljatakilline, sundõhkjahutus, OHV
Silindrimaht, cm ³	166	166	166	166
Kiirus, p/min	2800	2800	2800	2800
Mootori nimivõimsus, kW ⁵²	2,7	2.7	2.7	2.7
Süütesüsteem				
Süüteküünaal	Husqvarna HQT-7	Husqvarna HQT-7	Husqvarna HQT-7	Husqvarna HQT-7
Elektroodide vahe, mm	0,7–0,8	0,7–0,8	0,7–0,8	0,7–0,8
Kütuse-/määrimissüsteem				
Mootori määrimistüüp	Pritse	Pritse	Pritse	Pritse
Bensiinipaagi maht, l	1.0	1.0	1.0	1.0
Õlipaagi maht, liitrit	0,5	0,5	0,5	0,5
Mootoriõli ⁵³	Husqvarna SAE 30	Husqvarna SAE 30	Husqvarna SAE 30	Husqvarna SAE 30
Mass				
Tühjade paakidega, kg	31,1	32,6	32,0	33,1
Müraemissioon⁵⁴				
Müravõimsustase, mõõdetud, dB(A)	96	96	95	97
Müravõimsustase, garanteeritud L _{WA} dB(A)	98	98	96	98
Müratase⁵⁵				

⁵² Mootori näidatud võimsusklass on antud mootorimudeli järgi toodetud tüüpmootori keskmine netovõimsus (kindla pöörete arvu juures), mõõdetud vastavalt SAE standardile J1349/ISO1585. Masstoodangust tulnud mootoritel võib see väärtus pisut erineda. Tootele paigaldatud mootori tegelik võimsus oleneb töökiirusest, keskkonnatingimustest ja muudest teguritest.

⁵³ Kui kasutakse SAE-30 õli madalamal temperatuuril kui +5 °C, siis on oht, et see ei määri mootorit piisavalt. See võib kahjustada mootorit. Vt jaotisest *Mootoriõli vahetamine lk 119*, milline on õige õli madalal temperatuuril.

⁵⁴ Müraemissioon ümbritsevasse keskkonda, mõõdetud helivõimsuse tasemena (L_{WA}) vastavalt EÜ direktiivile 2000/14/EÜ.

⁵⁵ Müra rõhutase kohta toodud andmete statistiline dispersioon (standardhälve) on 1,2 dB(A).

	LC 151	LC 151S	LB 251S	LB 256SP
Helirõhutase kasutaja kõrva juures, dB(A)	86	86	82	86
Vibratsioonitase ⁵⁶				
Käepideme vibratsioonitase, m/s ²	8,5	8,5	4,7	7,5
Lõikeosa				
Lõikekõrgus, mm	25-75	25-75	25-75	25-75
Lõikamislaius, mm	510	510	510	560
Lõikesüsteem	Komplekt / Bio-Clip® / külgväljavise	Komplekt / Bio-Clip® / külgväljavise	BioClip® / külgväljavise	BioClip® / külgväljavise
Lõiketera – standard	Komplekt 598562601	Komplekt 598562601	Multš 597683901	Multš 598563601
Lõiketera – lisatarvik	Multš 597683901	Multš 597683901	–	–
Rohukoguri maht liitrites	65	65	–	–
Ajam				
Iseliikumiskiirus, km/h	–	3,6	4,0	3,6

⁵⁶ Vibratsioonitaseme kohta toodud andmete tüüpiline statistiline dispersioon (standardhälve) on 0,2 m/s².

EÜ vastavusdeklaratsioon

EÜ vastavusdeklaratsioon

Husqvarna AB, SE-561 82 Huskvarna, Rootsi, tel:
+46-36-146500, kinnitab käesolevaga, et **muruniiduk**
Husqvarna LC 151, LC 151S, LB 251S, LB 256SP
alates aastast 2020 vastab järgmiste NÕUKOGU
DIREKTIIVIDE nõuetele:

- **2011/65/EL** (8. juuni 2011), teatavate ohtlike ainete kasutamise piiramise kohta;
- **2006/42/EÜ** (17. mai 2006), masinadirektiiv;
- **2014/30/EL** (26. veebruar 2014), elektromagnetilise ühilduvuse direktiiv;
- **2000/14/EÜ** (8. mai 2000), müradirektiiv.

Mürataseme kohta leiab teavet tehniliste andmete osast.

Rakendatud on järgmisi standardeid:

EN ISO 5395-1:2013, EN ISO 5395-1:2013/A1, EN ISO 5395-2:2013, EN ISO 5395-2:2013/A1:2016, EN ISO 5395-2:2013/A2:2017, EN ISO 14982:2009

Kui pole märgitud teisiti, mõeldakse ülalpool loetletud standardite all nende kõige viimaseid avaldatud versioone.

Teavitatud asutus (LC 151, LC 151S, LB 256SP): **0036, TÜV SÜD Industrie Service GmbH, Westendstrasse 199, 80686 München, Germany** on läbi viinud vastavushindamise kooskõlas direktiivi 2000/14/EÜ lisaga VI.

Teavitatud asutus (LB 251S): **0404, RISE SMP Svensk Maskinprovning AB, Box 7035, SE-750 07 Uppsala, Sweden** on läbi viinud vastavushindamise kooskõlas direktiivi 2000/14/EÜ lisaga VI.

Huskvarna, 2020-10-20



Claes Losdal, aiandustoodete arendusdirektor
(Husqvarna AB volitatud esindaja, tehnilise dokumentatsiooni vastutav juht)

Sisältö

Johdanto.....	127	Moottorin viannääritys.....	136
Turvallisuus.....	128	Kuljettaminen, säilyttäminen ja hävittäminen.....	137
Asentaminen.....	130	Tekniset tiedot.....	138
Käyttö.....	131	EY-vaatimustenmukaisuusvakuutus.....	140
Huolto.....	133		

Johdanto

Tuotekuvaus

Tuote on kävellen ohjattava ja pyörivä ruohonleikkuri. Malleissa LC 151, LC 151S kiinnitä ruohonkerääjä ruohon keräämistä varten. Kiinnitä sivullepuhalluksen ohjain ruohon sivullepuhallusta varten. Malleihin LC 151, LC 151S voi liittää silppurin, jolloin ruohon leikkuujätteestä tulee lannoitetta.

Laitteen kuvaus

(Kuva 1)

1. Ohjain
2. Moottorin jarrukahva
3. Vetojärjestelmän sanka (LC 151S, LB 256SP)
4. Ohjausvipu (LB 251S)
5. Takasuojus (LC 151, LC 151S)
6. Ruohonkerääjä (LC 151, LC 151S)
7. Kahvan korkeudensäätönupit
8. Leikkuukorkeuden säätövipu
9. Öljysäiliön korkki ja mittatikku
10. Sivullepuhalluksen suojus
11. Äänenvaimennin
12. Sytytystulppa
13. Kaasutin
14. Polttoainesäiliön korkki
15. Tunnukset
16. Leikkuusuojus
17. Ilmansuodatin
18. Sivullepuhalluksen ohjain
19. Silppuri (lisävaruste malleille LC 151, LC 151S)
20. Käynnistysnarun kahva
21. Käyttöohjekirja

Laitteen symbolit

(Kuva 2) **VAROITUS:** Ole varovainen ja käytä laitetta oikein. Tämä laite voi aiheuttaa käyttäjälle tai sivullisille vakavia vahinkoja tai kuoleman.

(Kuva 3) Lue käyttöohje huolellisesti ja varmista, että ymmärrät sen sisällön, ennen kuin alat käyttää konetta.

Käyttötarkoitus

Käytä laitetta ruohon leikkuuseen. Älä käytä laitetta muihin tehtäviin.

(Kuva 4) Varo sinkoutuvia esineitä ja kimmokkeita.

(Kuva 5) Pidä sivulliset ja eläimet turvallisen välimatkan päässä työalueesta.

(Kuva 6) Varoitus: Pidä kädet ja jalat poissa pyörivän terän läheisyydestä.

(Kuva 7) Varoitus: Pidä kädet ja jalat poissa pyörivien osien läheisyydestä.

(Kuva 8) Pysäytä moottori ja poista sytytyskaapeli ennen korjaus- tai huoltotöitä.

(Kuva 9) Tämä laite täyttää sovellettavien EY-direktiivien vaatimukset.

(Kuva 10) Melupäästöt ympäristöön Euroopan yhteisön direktiivin mukaisesti. Laitteen päästöt ilmoitetaan luvussa Tekniset tiedot ja arvokilvessä.

(Kuva 11) Tulipalon vaara.

(Kuva 12) Älä hengitä pakokaasuja. Moottorin pakokaasut sisältävät hiilimonoksidia, joka on hajuton, myrkyllinen ja erittäin vaarallinen kaasu. Älä käynnistä moottoria sisällä tai suljetuissa tiloissa.

(Kuva 13) Kuuma pinta.

(Kuva 14) Täytä moottori öljyllä ennen laitteen käynnistämistä.

Huomautus: Muita laitteen symboleita/tarroja tarvitaan joillakin markkina-alueilla ilmaisemaan sertifiointivaatimuksia.

Tuotevastuu

Tuotevastuulain mukaisesti emme ole vastuussa tuotteen aiheuttamasta vauriosta, jos

- tuote on korjattu virheellisesti
- tuotteen korjaamiseen on käytetty muita kuin valmistajan omia tai sen hyväksymiä osia

- tuotteessa on muu kuin valmistajan oma tai sen hyväksymä lisävaruste
- tuotetta ei ole korjattu valtuutetussa huoltopisteessä tai hyväksytyllä asiantuntijalla.

Euro V -päästöt



VAROITUS: Moottorin muokkaaminen mitätöi tuotteen EU-tyypihyväksynnän.

Turvallisuus

Turvallisuusmääritelmät

Varoituksia, huomioita ja huomautuksia käytetään, kun jotakin käyttöohjeen osaa halutaan erityisesti korostaa.



VAROITUS: Tätä käytetään, jos käyttöohjeen noudattamatta jättämisestä voi seurata käyttäjän tai sivullisen vamma tai kuolema.



HUOMAUTUS: Tätä käytetään, jos käyttöohjeen noudattamatta jättämisestä voi seurata koneen, muiden materiaalien tai ympäristön vaurioituminen.

Huomautus: Tätä käytetään tietyissä tilanteissa tarvittavien lisätietojen antamiseen.

Yleiset turvaohjeet



VAROITUS: Lue seuraavat varoitusohjeet ennen laitteen käyttämistä.

- Tämä laite on vaarallinen, jos sitä käytetään huolimattomasti tai virheellisesti. Turvaohjeiden noudattamatta jättäminen voi aiheuttaa vammoja tai kuoleman.
- Laite muodostaa käytön aikana sähkömagneettisen kentän. Kenttä saattaa joissakin olosuhteissa häiritä aktiivisten tai passiivisten lääketieteellisten implanttien toimintaa. Vakavien tai hengenvaarallisten tapaturmien ehkäisemiseksi kehotamme lääketieteellisiä implanteja käyttäviä henkilöitä neuvottelemaan lääkärin ja lääketieteellisen implantin valmistajan kanssa ennen laitteen käyttämistä.
- Ole aina varovainen ja käytä tervettä järkeä. Jos et ole varma, miten laitetta käytetään erityistilanteessa, sammuta laite ja ota yhteys Husqvarna-jälleenmyyjään, ennen kuin jatkat.
- Muista, että käyttäjä on vastuussa muille ihmisille tai heidän omaisuudelleen aiheutuvista vahingoista.

- Pidä laite puhtaana. Varmista, että tuotteen merkit ja tarrat ovat luettavissa.
- Älä anna kenenkään käyttää konetta, ellet ole varma, että käyttäjä on lukenut käyttöohjekirjan ja ymmärtänyt siinä annetut ohjeet.
- Älä anna lasten käyttää laitetta.
- Pidä lapset poissa työskentelyalueelta. Vastuullisen aikuisen on oltava aina paikalla.
- Älä anna kenenkään sellaisen henkilön käyttää laitetta, joka ei tunne ohjeita.
- Valvo aina laitetta käyttävää henkilöä, jonka fyysiset tai psyykkiset taidot ovat heikentyneet. Vastuullisen aikuisen on oltava aina paikalla.
- Älä käytä laitetta ollessasi väsynyt tai sairas tai jos olet alkoholin, huumaavien aineiden tai lääkkeiden vaikutuksen alaisena. Niillä on negatiivinen vaikutus näkökykyysi, vireytesi, harkintakykyysi ja kehosi hallintaan.
- Älä käytä konetta, jos se on viallinen.
- Älä tee koneeseen muutoksia tai käytä konetta, mikäli epäilet jonkun muun muuttaneen sitä.
- Älä tee muutoksia moottorin käyntinopeuden hallintaan.

Työalueen turvallisuus



VAROITUS: Lue seuraavat varoitusohjeet ennen koneen käyttämistä.

- Poista työskentelyalueelta oksat, risut ja kivet ennen tuotteen käyttämistä.
- Terävarustukseen osuvat esineet sinkoutuvat edelleen ja voivat siten aiheuttaa vahinkoa ihmisille ja esineille. Pidä sivulliset ja eläimet turvallisen välimatkan päässä tuotteesta.
- Älä koskaan käytä tuotetta huonolla säällä esimerkiksi sumussa, sateessa, kovassa tuulessa, ankarassa pakkasessa tai ukkosella. Tuotteen käyttäminen huonolla säällä tai kosteissa tai märissä olosuhteissa on raskasta. Huono sää voi aiheuttaa vaaratilanteita, kuten liukastumisvaaran.
- Varo henkilöitä, esineitä ja tilanteita, jotka voivat estää tuotteen turvallisen käytön.

- Varo esteitä, kuten juuria, kiviä, risuja, kuoppia ja oja. Pitkän ruohon seassa voi olla esteitä.
- Ruohon leikkaaminen rinteissä voi olla vaarallista. Älä käytä tuotetta rinteessä, jonka kaltevuus on yli 15°.
- Käytä tuotetta sivusuunnassa rinteeseen nähden. Älä käytä tuotetta pystysuunnassa.
- Ole varovainen lähestyessäsi piilossa olevia kulkimia ja esineitä, jotka estävät näkyvyyden.

Työturvallisuus



VAROITUS: Lue seuraavat varoitushjeet ennen laitteen käyttämistä.

- Käytä tätä tuotetta ainoastaan nurmikoiden leikkaamiseen. Tuotteita ei saa käyttää muihin käyttötarkoituksiin.
- Käytä henkilökohtaisia suojarusteita. Katso *Henkilökohtainen suojarustus sivulla 129*.
- Opettele pysäyttämään moottori nopeasti hätätilassa.
- Älä koskaan käynnistä moottoria suljetussa tilassa tai lähellä herkästi syttyviä materiaaleja. Moottorin pakokaasu on kuumaa ja se voi sisältää kipinöitä, jotka voivat aiheuttaa tulipalon.
- Älä käytä tuotetta, ellei sen terää ja kaikkia suojuksia ole kiinnitetty asianmukaisesti. Virheellisesti kiinnitetty terä saattaa irrota ja aiheuttaa henkilövahinkoja.
- Varmista, ettei terä osu kiviin ja juuriin. Tämä voi vaurioittaa terää, ja kampiakseli voi vääntyä. Vääntynyt akseli aiheuttaa voimakasta värinää. Tällöin on erittäin suuri riski, että terä irtoaa.
- Jos terä osuu esineeseen tai alkaa täristä, pysäytä tuote välittömästi. Irrota sytytyskaapeli sytytystulpasta. Tarkista tuote vaurioiden varalta. Korjaa vauriot tai tee korjaustyöt valtuutetussa huoltoliikkeessä.
- Älä koskaan liitä moottorin jarrukahvaa pysyvästi kahvaan moottoria käynnistettäessä.
- Aseta tuote kiinteälle, tasaiselle alustalle ja käynnistä se. Varmista, ettei terä pääse osumaan maahan tai mihinkään esineeseen.
- Ole aina tuotteen takana käyttäessäsi sitä.
- Pidä kaikki renkaat maassa ja molemmat kätesi työntöaisalla käyttäessäsi tuotetta. Pidä kätesi ja jalkasi poissa pyörivien terien läheisyydestä.
- Älä kallista tuotetta moottorin käynnistyksen aikana.
- Ole varovainen vetäessäsi tuotetta taaksepäin.
- Älä koskaan nosta tuotetta moottorin käynnistyksen aikana. Jos tuotetta täytyy nostaa, sammuta ensin moottori ja irrota sytytyskaapeli sytytystulpasta.
- Älä kävele taaksepäin käyttäessäsi tuotetta.
- Sammuta moottori, kun siirät tuotteen ruuhotoman alueen yli, esimerkiksi ylittäessäsi sora-, kivi- tai asfalttipolkuja.

- Älä juokse tuotteen kanssa, kun moottoria käynnistetään. Kävele aina, kun käytät tuotetta.
- Sammuta moottori ennen kuin muutat leikkuukorkeutta. Älä koskaan tee säätöjä moottorin käytdessä.
- Älä koskaan jätä laitetta ilman valvontaa moottorin käytessä. Sammuta moottori ja varmista, ettei terävarustus pyöri.

Turvallisuusohjeet käyttöä varten

Henkilökohtainen suojarustus



VAROITUS: Lue seuraavat varoitushjeet ennen koneen käyttämistä.

- Henkilökohtaiset suojarusteet eivät poista tapaturmien vaaraa, mutta ne lieventävät vammoja onnettomuusilanteessa. Anna jälleenmyyjän auttaa oikeiden varusteiden valinnassa.
- Käytä kuulonsuojaimia, kun melutaso on yli 85 dB.
- Käytä kestäviä luistamattomia saappaita tai kenkiä. Älä käytä avonaisia jalkineita tai kulje paljain jaloin.
- Käytä vahvakankaisia, pitkiä housuja.
- Käytä suojakäsinäitä tarvittaessa, esimerkiksi terävarustuksen asennuksen, tarkastuksen ja puhdistuksen aikana.

Tuotteen turvalaitteet



VAROITUS: Lue seuraavat varoitushjeet ennen laitteen käyttämistä.

- Älä käytä laitetta, jos jokin sen turvalaitteista on rikki.
- Tarkasta turvalaitteet säännöllisesti. Jos turvalaitteissa on vikoja, ota yhteyttä Husqvarna-huoltoliikkeeseen.

Leikkusuojuksen tarkistaminen

Leikkusuojus vähentää laitteen värinää ja terän aiheuttamaa tapaturmavaaraa.

- Tarkista leikkusuojus vaurioiden, kuten halkeamien, varalta.

Moottorin jarrukahvan tarkistaminen

Moottorin jarrukahva pysäyttää moottorin. Kun moottorin jarrukahva vapautetaan, moottori pysähtyy.

- Käynnistä moottori ja vapauta sitten moottorin jarrukahva. Jos moottori ei pysähdy 3 sekunnissa, anna valtuutetun Husqvarna-huoltoliikkeen säätää moottorijarru. (Kuva 15)

Takasuojuksen tarkistaminen

Ohjauslevy vähentää esineiden sinkoutumista käyttäjän suuntaan.

- Varmista, ettei takasuojus ole vaurioitunut.
- Varmista, että takasuojuksen sulkevat jouset eivät ole vaurioituneet.
- Vaihda vaurioituneet jouset ja vahingoittuneet osat.
- Varmista, että takasuojus voi liikkua juohevasti saranoillaan.

Äänenvaimennin

Äänenvaimennin pitää äänitason mahdollisimman alhaisena ja ohjaa moottorin pakokaasut käyttäjästä pois päin.

Älä käytä konetta, jos äänenvaimennin on vaurioitunut tai puuttuu kokonaan. Viallinen äänenvaimennin suurentaa melutasoa ja tulipalon vaaraa.



VAROITUS: Äänenvaimennin on erittäin kuuma käytön aikana, heti käytön jälkeen ja moottorin käydessä joutokäyntinopeudella. Ole varovainen syytyvien materiaalien ja/tai kaasujen lähistöllä, jotta et aiheuta tulipaloa.

Äänenvaimentimen tarkistaminen

- Tarkista äänenvaimennin säännöllisesti vaurioiden varalta ja varmista, että se on kiinnitetty oikein.

Polttoaineturvallisuus



VAROITUS: Lue seuraavat varoitusohjeet ennen koneen käyttämistä.

- Älä käynnistä laitetta, jos sen päällä on polttoainetta tai moottoriöljyä. Poista ylimääräinen polttoaine tai öljy ja anna laitteen kuivua.
- Jos olet läikyttänyt polttoainetta vaatteillesi, vaihda vaatteet heti.
- Varo, ettei iholle pääse polttoainetta, sillä se voi aiheuttaa vamman. Jos ihollesi joutuu polttoainetta, pese se pois vedellä ja saippualla.
- Älä käynnistä laitetta, jos moottori vuotaa. Tarkista moottori säännöllisesti vuotojen varalta.
- Käsittele polttoainetta varoen. Polttoaine on syytyvää ja kaasut ovat räjähdysherkkiä, mikä voi aiheuttaa tapaturman tai kuoleman.
- Älä hengitä polttoainehöyryjä, sillä ne voivat aiheuttaa vamman. Varmista, että ilmanvirtaus on riittävä.
- Älä tupakoi polttoaineen tai moottorin lähistöllä.

- Älä sijoita lämpimiä esineitä polttoaineen tai moottorin lähelle.
- Älä lisää polttoainetta, kun moottori on käynnissä.
- Varmista ennen polttoaineen lisäämistä, että moottori on jäähtynyt.
- Ennen kuin lisää polttoainetta, avaa polttoainesäiliön korkki hitaasti ja vapauta paine varovasti.
- Älä lisää polttoainetta moottoriin sisätilassa. Jos ilmanvirtaus ei ole riittävä, tukehtuminen tai hiilimonoksidin hengittäminen voi aiheuttaa vamman tai kuoleman.
- Kiristä polttoainesäiliön korkki tiukasti. Polttoainesäiliön korkin riittämätön kiristys aiheuttaa tulipalovaaran.
- Siirrä laite ennen käynnistystä vähintään 3 metrin päähän paikasta, jossa lisäsit polttoainetta.
- Älä täytä polttoainesäiliötä täyteen. Kuumuus saa polttoaineen laajenemaan. Jätä polttoainesäiliön päälle tyhjää tilaa.

Turvaohjeet huoltoa varten



VAROITUS: Lue seuraavat varoitusohjeet ennen koneen käyttämistä.

- Moottorin pakokaasut sisältävät hiilimonoksidia, joka on hajuton, myrkyllinen ja erittäin vaarallinen kaasu. Älä käynnistä moottoria sisällä tai suljetuissa tiloissa.
- Jos tuotetta täytyy huoltaa, sammuta ensin moottori ja irrota syytyskaapeli syytystulpasta.
- Käytä suojakäsineitä huoltaessasi terävarustusta. Terä on erittäin terävä ja aiheuttaa helposti haavoja.
- Lisävarusteet ja muut kuin valmistajan hyväksymät muutokset tuotteeseen voivat aiheuttaa vakavan vamman tai kuoleman. Älä tee tuotteeseen muutoksia. Käytä vain valmistajan hyväksymiä lisävarusteita.
- Jos tuotetta ei ole huollettu asianmukaisesti ja säännöllisesti, tapaturmien ja tuotteen vaurioitumisen vaara kasvaa.
- Huolla tuote ainoastaan käyttöohjekirjassa annettujen ohjeiden mukaisesti. Kaikki muut huoltotoimet on tehtävä valtuutetussa Husqvarna-huoltoliikkeessä.
- Anna valtuutetun Husqvarna-huoltoliikkeen huoltaa tuote säännöllisesti.
- Vaihda vaurioituneet, kuluneet tai rikkoutuneet osat.

Asentaminen

Johdanto



VAROITUS: Ennen kuin asennat laitteen, lue turvallisuutta käsittelevä luku niin, että ymmärrät sen sisällön.



VAROITUS: Irrota syytystulpan johto syytystulpasta ennen laitteen asentamista.

Kahvan asentaminen

1. Työnnä ruuvi (A) kahvan (B), muovisen aluslevyn (C) ja kahvan tukikiinnikkeen (D) läpi. (Kuva 16)
2. Kiristä mutteri (E) kokonaan.
3. Työnnä ruuvi (F) aluslevyn (G) ja kahvan tukikiinnikkeen läpi. (Kuva 17)
4. Kiristä nuppi (H) kokonaan.

Kahvan säätäminen

1. Irrota alemmat nupit.
2. Liu'uta nupit urien alaosaan laitteen molemmin puolin. (Kuva 18)
3. Aseta kahvan korkeus jompaankumpaan käytettävissä olevista asennoista.
4. Liu'uta nuppeja ylöspäin kahvaa kohti, kunnes ne pysähtyvät ja kuulet naksahduksen. (Kuva 19)
5. Kiristä nupit huolellisesti.

Tuotteen asettaminen kuljetusasentoon

1. Irrota alemmat nupit.

2. Liu'uta nupit urien alaosaan laitteen molemmin puolin. (Kuva 18)
3. Taita kahva eteen. (Kuva 20)

Laitteen asettaminen käyttöasentoon

1. Taita kahva pystyasentoon. (Kuva 21)
2. Liu'uta nuppeja ylöspäin kahvaa kohti, kunnes ne pysähtyvät ja kuulet naksahduksen. (Kuva 19)
3. Kiristä nupit huolellisesti.

Ruohonkerääjän (LC 151, LC 151S) asentaminen

1. Kiinnitä ruohonkerääjän kehys keruupussiin niin, että pussin jäykkä osa on alhaalla. Pidä kehiksen kahva pussin yläosan ulkopuolella. (Kuva 22)
2. Kiinnitä keruupussi kehikseen kiinnikkeillä. (Kuva 23)

Käyttö

Johdanto



VAROITUS: Lue turvallisuutta käsittelevä luku niin, että ymmärrät sen sisällön, ennen laitteen käyttämistä.

Husqvarna Connect

Husqvarna Connect on ilmainen mobiililaitesovellus. Husqvarna Connect -sovellus saat lisätoimintoja Husqvarna-koneeseen:

- Enemmän tuotetietoja.
- Tietoja koneen osista ja huolto-ohjeita.

Husqvarna Connect -käytön aloittaminen

1. Lataa Husqvarna Connect -sovellus mobiililaitteeseesi.
2. Rekisteröi Husqvarna Connect -sovelluksessa.
3. Liitä ja rekisteröi kone Husqvarna Connect -sovelluksen ohjeiden mukaan.

Ennen tuotteen käyttöä

1. Lue käyttöohje huolellisesti ja varmista, että ymmärrät sen sisältämät ohjeet.
2. Tutki terävarustus ja varmista, että se on kiinnitetty ja säädetty asianmukaisesti. Katso *Terävarustuksen tarkistaminen sivulla 134*.
3. Täytä polttoainesäiliö. Katso *Polttoaineen lisääminen sivulla 131*.

4. Lisää öljysäiliöön öljyä ja tarkista öljytaso. Katso *Öljyn määrän tarkistaminen sivulla 134*.

Polttoaineen lisääminen

Käytä ympäristöä säästävää bensiiniä tai alkylaattibensiiniä, jos niitä on saatavilla. Jos ympäristöä säästävää bensiiniä tai alkylaattibensiiniä ei ole saatavilla, käytä lyijytöntä tai lyijyllistä laatubensiiniä, jonka oktaaniluku on vähintään 90.



HUOMAUTUS: Älä käytä polttoainetta, jonka oktaaniluku on pienempi kuin 90 RON (87 AKI). Se voi vaurioittaa laitetta.

1. Vapauta polttoainesäiliöstä painetta avaamalla polttoainesäiliön korkki hitaasti.
2. Kaada polttoainesäiliöön hitaasti polttoainetta. Jos öljyä läikky, pyyhi öljy pois liinalla ja anna öljyjäämien kuivua. (Kuva 24)
3. Pyyhi polttoainesäiliön korkin ympäristö puhtaaksi.
4. Kiristä polttoainesäiliön korkki tiukasti. Polttoainesäiliön korkin riittämätön kiristys aiheuttaa tulipalovaaran.
5. Siirrä laite ennen käynnistystä vähintään 3 metrin (10 jalan) päähän paikasta, jossa lisäsit polttoainetta.

Leikkuukorkeuden asettaminen

1. Lisää leikkuukorkeutta siirtämällä leikkuukorkeuden säätövipua taaksepäin.
2. Vähennä leikkuukorkeutta siirtämällä leikkuukorkeuden säätövipua eteenpäin. (Kuva 25)



HUOMAUTUS: Älä aseta leikkuukorkeutta liian alhaiseksi. Jos ruohikon pinta ei ole tasainen, terät voivat osua maahan.

Laitteen käynnistäminen

1. Varmista, että sytytyskaapeli on liitettyä sytytystulppaan.
2. Seiso laitteen takana.
3. Pidä moottorin jarrukahvaa kahvasto vasten. (Kuva 26)
4. Pitele käynnistysnarun kahvaa oikealla kädelläsi.
5. Vedä käynnistysnarusta hitaasti, kunnes tunnet hieman vastusta.
6. Käynnistä moottori vetämällä voimakkaasti.



VAROITUS: Älä kiedo käynnistysnarua kätesi ympärille.

Vetojärjestelmän käyttäminen pyörillä LC 151S & LB 256SP

- Työnnä vetojärjestelmän sankaa kahvaston suuntaan. (Kuva 27)
- Kytke vetojärjestelmä pois käytöstä vapauttamalla vetojärjestelmän sankaa esimerkiksi lähestyessäsi estettä.
- Ennen kuin vedät tuotetta taaksepäin, kytke vetojärjestelmä pois käytöstä ja työnnä tuotetta eteenpäin noin 10 cm.

Vetojärjestelmän käyttäminen pyörillä (LB 251S)

- Vedä ohjaussauvaa kahvaston suuntaan. (Kuva 28)
- Kytke vetojärjestelmä pois käytöstä työntämällä ohjaussauvaa pois päin kahvastosta esimerkiksi lähestyessäsi estettä.

Huomautus: Ohjaussauva vapautuu automaattisesti myös, kun vapautat moottorin jarrukahvan.

- Ennen kuin vedät tuotetta taaksepäin, työnnä ohjaussauvaa pois päin kahvastosta ja työnnä tuotetta eteenpäin noin 10 cm, jotta vetojärjestelmä kytkeytyy kokonaan pois käytöstä.

Laitteen pysäyttäminen

- Jos haluat pysäyttää vain vetojärjestelmän, vapauta vetojärjestelmän sankaa (LC 151S, LB 256SP) tai ohjaussauva (LB 251S).
- Pysäytä moottori vapauttamalla moottorin jarrukahva.

Ruohonkerääjän käyttö konetta käytettäessä (LC 151, LC 151S)



VAROITUS: Älä käytä laitetta, jos ruohonkerääjä ei ole paikallaan tai jos takasuojus ei ole suljettuna. Esineet voivat sinkoutua laitteesta ja vahingoittaa käyttäjä.

1. Nosta takasuojus ja irrota silppurin tulppa, jos se on asennettu. (Kuva 29)
2. Kokoa ruohonkerääjä, katso *Ruohonkerääjän (LC 151, LC 151S) asentaminen sivulla 131*.
3. Aseta ruohonkerääjä pidikkeeseen.
4. Vapauta takasuojus ja aseta se ruohopussin rungon päälle. (Kuva 30)

Laitteen vaihtaminen silppuamistilaan (LC 151, LC 151S)

Varmista, että moottori on sammutettu, ennen kuin vaihdat laitteen silppuamistilaan.

1. Nosta takasuojus ja irrota ruohonkerääjä, jos se on asennettu.
2. Aseta silppurin tulppa ruohonkerääjän ulosheittokanavaan. (Kuva 31)
3. Sulje takasuojus ja varmista, että se on tiukasti kiinni silppurin tulppaa vasten.
4. Vaihda terän tilalle silppurisarjan mukana toimitettu silppuriterä. Katso *Terän vaihtaminen sivulla 134*.

Laitteen vaihtaminen sivullepuhallustilaan

1. Nosta takasuojus ja irrota ruohopussi, jos se on asennettu.
2. Sulje takasuojus ja varmista, että se on tiukasti kiinni laitetta vasten.
3. Nosta puhalluslaitteen lukko ylös. (Kuva 32)
4. Avaa sivullepuhalluksen suojuksen ja asenna sivullepuhalluksen ohjain tukitappeihin. (Kuva 33)
5. Anna sivullepuhalluksen suojuksen sulkeutua sivullepuhalluksen ohjainta vasten. Varmista ennen laitteen käyttöä, että sivullepuhalluksen ohjain on tiukasti paikallaan.

Ruohonkerääjän tyhjentäminen



HUOMAUTUS: Nosta ruohonkerääjä liikuttaessasi sitä. Tämä estää sen kulumisen.

1. Nosta ruohonkerääjää rungon kahvasta.
2. Käytä rungon ja pussin kahvaa, kun tyhjännät ruohonkerääjän. (Kuva 34)

Hyvän tuloksen saavuttaminen

- Käytä aina hyvin teroitettua terää. Tylsä terä leikkaa epätasaisesti ja ruohosta tulee keltaista leikatun pinnan kohdalta. Hyvin teroitettu terä käyttää myös tylsää terää vähemmän energiaa.
- Älä leikkaa enempää kuin 1/3 ruohon pituudesta. Käytä korkeinta leikkuukorkeutta, kun alat leikata ruohoa. Tutki tuasi leikkuutuloksen voit laskea leikkuukorkeuden haluamallesi tasolle. Jos ruoho on erittäin pitkää, kulje hitaasti ja leikkaa nurmikko tarvittaessa kaksi kertaa.

- Leikkaa joka kerta eri suuntiin, jotta nurmikkoon ei tule raitoja.
- Nosta takasuojusta ja irrota ruohonkerääjä.
- Jos silppurin tulppa ja silppuamisterä on kiinnitetty, irrota ne.
- Sulje takasuojus ennen laitteen käyttämistä. Kun käytät laitetta, ruohosilppu purkautuu takasuojuksen alle.

Huolto

Johdanto



VAROITUS: Ennen minkäänlaisten huoltotöiden aloittamista sinun on luettava turvallisuutta käsittelevä luku niin, että ymmärrät sen sisällön.

Kaikkiin tuotteelle tehtäviin huolto- ja korjaustöihin tarvitaan erityiskoulutus. Takaamme, että tuotteemme huolletaan ja korjataan ammattimaisesti. Jos jälleenmyyjäsi ei ole huoltoliike, pyydä jälleenmyyjää neuvomaan lähin huoltoliike.

Huoltokaavio



HUOMAUTUS: Varmista, että ilmansuodatin on laitteen yläosassa eikä maata vasten, kun kallistat laitetta. Moottorivaurion vaara.

Huoltovälit on laskettu laitteen päivittäisen käytön perusteella. Välit voivat muuttua, jos laitetta ei käytetä päivittäin.

Lisätietoja *-merkillä merkityistä huolloista on kohdassa *Tuotteen turvalaitteet sivulla 129.*

Huolto	Päivittäin	Kuukausittain	Kerran käyt- tökäudessa
Tee yleistarkastus.	X		
Tarkista öljytaso.	X		
Vaihda öljy (ensimmäisten 5 käyttötunnin jälkeen ja sitten 50 käyttötunnin välein) ⁵⁷			X
Puhdista laite.	X		
Tarkista terävarustus.	X		
Tarkista leikkuusuojus*.	X		
Tarkista moottorin jarrukahva*.	X		
Tarkista äänenvaimennin*.		X	
Tarkista sytytystulppa. Puhdista tai vaihda sytytystulppa tarvittaessa.			X
Tarkista ilmansuodatin	X		
Puhdista ilmansuodatin. ⁵⁸		X	
Vaihda ilmansuodatin.			X
Tarkista polttoainejärjestelmä			X
Puhdista sylinterin jäähdytysrivat.		X	

⁵⁷ Jos laitteen kuormitus on suuri tai ympäristön lämpötila korkea, vaihda moottoriöljy 25 tunnin välein.

⁵⁸ Puhdista tavallista useammin pölyisissä olosuhteissa tai silloin, jos ilmassa leijuu likahiukkasia. Vaihda ilman-suodatin, jos se on erittäin likainen.

Huolto	Päivittäin	Kuukausittain	Kerran käyttökaudessa
Tarkista ja säädä kytkinjohto (LC 151S, LB 251S, LB 256SP).			X
Puhdista voimansiirron kannen alapuoli (LB 251S).			X

Yleistarkastus

- Varmista, että laitteen kaikki ruuvit ja mutterit on kiristetty oikein.

Laitteen puhdistaminen ulkopuolelta

- Poista lehdet, ruoho ja lika harjalla.
- Varmista, ettei moottorin yläosassa sijaitseva ilmanottoaukko ole tukkeutunut.
- Älä käytä laitteen puhdistamiseen painepesuria.
- Jos käytät tuotteen puhdistamiseen vettä, älä suihkuta vettä suoraan moottoriin.

Leikkuusuojuksen sisäpinnan puhdistaminen

- Tyhjennä polttoainesäiliö.
- Kallista tuotetta. Varmista, että sytytystulppa osoittaa ylöspäin.



HUOMAUTUS: Jos laite asetetaan ilmansuodatin alaspäin, moottori saattaa vaurioitua.

- Pese leikkuusuojuksen sisäpinta vesiletikulla.

Voimansiirron kannen alapuolen puhdistaminen (LB 251S)

- Tyhjennä polttoainesäiliö.
- Kallista tuotetta. Varmista, että sytytystulppa osoittaa ylöspäin.



HUOMAUTUS: Jos laite asetetaan ilmansuodatin alaspäin, moottori saattaa vaurioitua.

- Irrota 7 ruuvia. (Kuva 35)
- Irrota voimansiirron kansi.
- Puhdista pinta harjalla.



HUOMAUTUS: Jos voimansiirron kannen alapuolella on vettä tai liikaa, voimansiirto voi vaurioitua.

- Aseta voimansiirron kansi ja sen seitsemän ruuvia paikoilleen.

Terävarustuksen tarkistaminen



VAROITUS: Estä tuotteen tahaton käynnistyminen irrottamalla sytytyskaapeli sytytystulpasta.



VAROITUS: Käytä suojakäsineitä huoltaessasi terävarustusta. Terä on erittäin terävä ja aiheuttaa helposti haavoja.

- Tutki terävarustus vaurioiden tai halkeamien varalta. Vaurioitunut terävarustus on aina vaihdettava.
- Tarkista, onko terä vaurioitunut tai tylsä.

Huomautus: Terä on tasapainotettava oikein teroituksen jälkeen. Anna huoltoliikkeen teroittaa, vaihtaa ja tasapainottaa terä. Jos osut esteeseen niin, että tuote pysähtyy, vaihda vaurioitunut terä. Anna huoltoliikkeen arvioida, voiko terän teroittaa vai onko se vaihdettava.

Terän vaihtaminen

- Lukitse terä puukiilalla. (Kuva 36)
- Irrota teräpultti.
- Irrota terä.
- Tutki terän tuki ja teräpultti vaurioiden varalta.
- Tutki kampiakseli ja varmista, ettei se ole vääntynyt.
- Asenna uusi terä siten, että terän kulmikkaat päät osoittavat leikkuusuojuksen suuntaan. (Kuva 37)
- Varmista, että terä on kohdistettu moottorin akselin keskiosan kanssa.
- Lukitse terä puukiilalla. Kiinnitä jousialuslevy paikalleen ja kiristä pultti ja aluslevy momenttiin 43 – 47 Nm. (Kuva 38)
- Pyöritä terää käsin ja varmista, että se pyörii vapaasti.



VAROITUS: Käytä työrukkasia. Terä on erittäin terävä ja aiheuttaa helposti haavoja.

- Testaa terää käynnistämällä tuote. Jos terä ei ole kiinnitetty asianmukaisesti, tuote tärisee tai sen leikkuutus ei ole tyydyttävä.

Öljyn määrän tarkistaminen



HUOMAUTUS: Liian alhainen öljytaso voi vaurioittaa moottoria. Tarkista öljytaso ennen kuin käynnistät tuotteen.

- Aseta tuote tasaiselle alustalle.
- Irrota polttoainesäiliön korkki ja mittatikku.
- Pyyhki mittatikku puhtaaksi öljystä.
- Työnnä mittatikku kokonaan öljysäiliöön, jotta saat öljytasosta oikean kuvan.

- Poista mittatikku.
- Tarkista öljytaso mittatikusta.
- Jos öljytaso on alhainen, lisää moottoriöljyä ja tarkista öljytaso uudelleen.

Moottoriöljyn vaihtaminen



VAROITUS: Moottoriöljy on erittäin kuumaa moottorin sammuttamisen jälkeen. Anna moottorin jäähtyä ennen kuin valutat moottoriöljyn pois moottorista. Jos moottoriöljyä joutuu iholle, pese öljy pois vedellä ja saippualla.

(Kuva 39)

- Käytä konetta, kunnes polttoainesäiliö on tyhjä.
- Irrota sytytyskaapeli sytytystulpasta.
- Irrota polttoainesäiliön korkki.
- Aseta tuotteen alle säiliö, johon valutat öljyn.
- Tyhjennä moottoriöljy säiliöstä kallistamalla konetta.
- Lisää uutta moottoriöljyä, jota suositellaan kohdassa *Tekniset tiedot sivulla 138*.
- Tarkista öljytaso. Katso *Öljyn määrän tarkistaminen sivulla 134*.

Sytytystulpan tarkistus



HUOMAUTUS: Käytä aina suositeltua sytytystulppaa. Väärä sytytystulpan tyyppi voi aiheuttaa laitteen vaurioitumisen.

- Tarkista sytytystulppa, jos moottorin teho on heikko, moottoria on vaikea saada käyntiin tai se ei toimi oikein joutokäyntinopeudella.
- Ehkäise ylimääräisen materiaalin joutuminen sytytystulpan elektrodihin noudattamalla seuraavia ohjeita:
 - Varmista, että joutokäyntinopeus on säädetty oikein.
 - Varmista, että polttoaineseos on oikea.
 - Varmista, että ilmansuodatin on puhdas.
- Jos sytytystulppa on karstiottunut, puhdista se ja tarkista samalla, että kärkiväli on oikea, katso *Tekniset tiedot sivulla 138*. (Kuva 40)
- Vaihda sytytystulppa tarvittaessa.

Ilmansuodatin

Likainen ilmansuodatin voi vaurioittaa moottoria tai aiheuttaa toimintahäiriöitä. Huolla ilmansuodatin tavallista useammin pölyisissä oloissa. Lisätietoja ilmansuodattimen vaihtamisen ajankohdasta on kohdassa *Huolto sivulla 133*.

Huomautus: Vaurioitunut ilmansuodatin on aina vaihdettava.

Ilmansuodattimen irrottaminen ja asentaminen



VAROITUS: Käytä suojakäsineitä.

- Paina ilmansuodattimen kannen kiinnikkeitä.
- Irrota ilmansuodattimen kansi (A) varovasti moottorista.
- Irrota ilmansuodatin (B). (Kuva 41)
- Tarkista ilmansuodatin vaurioiden varalta. Vaihda vaurioitunut ilmansuodatin.
- Puhdista ja tarkista ilmansuodatin. Katso kohta *Ilmansuodattimen puhdistaminen sivulla 135*.
- Asenna päinvastaisessa järjestyksessä.

Ilmansuodattimen puhdistaminen

Likainen ilmansuodatin voi vaurioittaa moottoria tai aiheuttaa toimintahäiriöitä. Huolla ilmansuodatin tavallista useammin pölyisissä oloissa.

Lisätietoja ilmansuodattimen vaihtamisen ajankohdasta on kohdassa *Huolto sivulla 133*.

- Irrota ilmansuodattimen kansi ja ilmansuodatin.
- Puhdista suodatin napauttamalla sitä tasaista pintaa vasten. Älä koskaan käytä suodattimen puhdistamiseen bensiiniä tai kerosiinia sisältävää liuotinta äläkä paineilmaa.

Huomautus: Pitkään käytössä olleita ilmansuodattimia ei voi puhdistaa täysin. Vaihda ilmansuodatin säännöllisin väliajoin. Vaurioitunut ilmansuodatin on aina vaihdettava.

- Kun asennat ilmansuodattimen, varmista, että se asettuu tiiviisti suodattimen pidintä vasten.

Sivullepuhalluksen ohjaimen tarkistaminen

Sivullepuhalluksen ohjain on kiinnitetty laitteen sivullepuhallusaukkoon. Se vähentää poistettavan aineksen sinkoutumista koneen käyttäjän suuntaan.

- Varmista, ettei sivullepuhalluksen ohjain ole vaurioitunut.
- Tarkista sivullepuhalluksen ohjain. Varmista, ettei ohjaimessa ole näkyviä vikoja, kuten halkeamia tai katkenneita jousia, jotka sulkevat luukun.
- Vaihda sivullepuhalluksen ohjain tai jouset, jos ne ovat vahingoittuneet.

Polttoainejärjestelmän tarkistaminen

- Tutki polttoainesäiliön korkki ja polttoainesäiliön korkin tiiviste vaurioiden varalta.

- Tutki polttoaineletku vuotojen varalta. Jos polttoaineletku on vaurioitunut, vaihdata se huoltoliikkeessä.

Seuraavissa tilanteissa kytkinjohtoa on lyhennettävä:

- Laite liikkuu, kun pyörien veto ei ole kytkettyä.
- Säädä kytkinjohtoa.
 - a) Lyhennä kytkinjohtoa kääntämällä säätöruuvia vastapäivään.
 - b) Pidennä kytkinjohtoa kääntämällä säätöruuvia myötäpäivään. (Kuva 42)

Jos ajettavuus ei parane säädön jälkeen, ota yhteyttä huoltoliikkeeseen.

Kytkinjohdon säätäminen (LC 151S, LB 251S, LB 256SP)

Seuraavissa tilanteissa kytkinjohtoa on pidennettävä:

- Pyörien veto ei kytkeydy, kun vetojärjestelmän sangasta tai nopeuden säätövivusta vedetään.
- Laite liikkuu hitaasti, kun pyörien veto on kytkettyä.

Moottorin vianmääritys

Vika	Mahdollinen syy	Ratkaisu
Moottori ei käynnisty.	Sytytyskaapelia ei ole liitetty oikein.	Kytke sytytyskaapeli sytytystulppaan.
	Polttoainesäiliö on tyhjä.	Täytä polttoainesäiliö oikeantyyppisellä polttoaineella.
	Polttoaine on vanhaa.	Tyhjennä polttoainesäiliö ja kaasutin. Täytä uudella polttoaineella.
	Kaasuttimessa tai polttoainejärjestelmässä on likaa.	Puhdista kaasutin ja/tai polttoaineen syöttöletku.
	Sytytystulppa on viallinen.	Säädä kärkiväli tai puhdista tai vaihda sytytystulppa.
	Sytytystulpassa on polttoainetta.	Puhdista sytytystulppa.
Moottori ei pysähdy.	Pysäytysmekanismi on viallinen.	Irrota sytytyskaapeli sytytystulpasta. Korjauta kone valtuutetussa huoltoliikkeessä.
Moottori ei käy tasaisesti.	Sytytyskaapelia ei ole liitetty oikein.	Kytke sytytyskaapeli sytytystulppaan.
	Polttoaineletkussa on likaa tai polttoaine on vanhentunutta.	Puhdista polttoaineletku. Täytä polttoainesäiliö uudella oikeantyyppisellä polttoaineella.
	Polttoainesäiliön korkissa on tukos.	Puhdista polttoainesäiliön korkki.
	Polttoainejärjestelmässä on vettä tai likaa.	Tyhjennä polttoainesäiliö. Täytä polttoainesäiliö uudella oikeantyyppisellä polttoaineella.
	Ilmansuodatin on likainen.	Puhdista ilmansuodatin.
	Kaasutinta on säädettävä.	Säädätä kaasutin valtuutetussa huoltoliikkeessä.
Moottorista tulee liian kuumaa.	Moottoriöljyn taso on liian alhainen.	Kaada öljy säiliöön.
	Ilmavirtaus ei ole riittävä.	Puhdista ilmansuodatin ja ilmansuodattimen kotelo.
	Kaasutinta on säädettävä.	Säädätä kaasutin valtuutetussa huoltoliikkeessä.
Moottori katkoo kun se käy kovalla nopeudella.	Sytytystulppien kärkiväli on liian pieni.	Säädä kärkiväliä.

Vika	Mahdollinen syy	Ratkaisu
Moottorista kuuluu epätavallisia ääniä normaalissa kuormassa.	Vääräntyyppinen polttoaine.	Tyhjennä polttoainesäiliö ja kaasutin. Täytä uudella polttoaineella. Katso kohta <i>Polttoaineen lisääminen sivulla 131</i> . Jos ongelma jatkuu, ota yhteys paikalliseen huoltoliikkeeseen.
Moottori ei toimi joutokäyntinopeudella tasaisesti.	Sytytystulppa on likainen tai viallinen tai kärkiväli on liian suuri.	Säädä kärkiväliä tai vaihda sytytystulppa.
	Kaasutinta on säädettävä.	Säädä kaasutin.
	Ilmansuodatin on likainen.	Puhdista ilmansuodatin.

Kuljettaminen, säilyttäminen ja hävittäminen

Kuljetus ja säilytys

- Kun säilytät ja kuljetat tuotetta ja polttoainetta, varmista, ettei tuote vuoda polttoainetta tai polttoainehöyryä. Esimerkiksi sähkölaitteista tai lämmityskattiloista peräisin olevat kipinät tai avotuli voivat aiheuttaa tulipalon.
- Käytä polttoaineen säilytyksessä ja kuljettamisessa aina hyväksytyjä polttoainesäiliöitä.
- Tyhjennä tuotteen polttoainesäiliö, jos varastoit tuotteen pitkäksi ajaksi. Hävitä polttoaine viemällä se asianmukaiseen keräyspisteeseen.
- Vältä onnettomuudet ja tuotteen vaurioituminen kiinnittämällä tuote turvallisesti kuljetuksen ajaksi.
- Säilytä tuotetta lukitussa varastossa, jonne lapset ja asiattomat henkilöt eivät pääse.
- Säilytä tuotetta kuivassa paikassa, jossa lämpötila ei laske pakkasen puolelle.

Hävittäminen

- Noudata paikallisia kierrätysvaatimuksia ja säädöksiä.
- Hävitä kaikki kemikaalit, kuten moottoriöljy ja polttoaine viemällä ne huoltoliikkeeseen tai asianmukaiseen keräyspisteeseen.
- Kun tuote tulee elinkaarensa päähän, hävitä tuote lähettämällä se Husqvarna-jälleenmyyjälle tai kierrätyspisteeseen.

Tekniset tiedot

Tekniset tiedot

	LC 151	LC 151S	LB 251S	LB 256SP
Moottori				
Tuotemerkki	Husqvarna	Husqvarna	Husqvarna	Husqvarna
Moottorin tyyppi	Yksisylinterinen, nelitahtinen, paineilmajäähdytys, OHV	Yksisylinterinen, nelitahtinen, paineilmajäähdytys, OHV	Yksisylinterinen, nelitahtinen, paineilmajäähdytys, OHV	Yksisylinterinen, nelitahtinen, paineilmajäähdytys, OHV
Iskutilavuus, cm ³	166	166	166	166
Nopeus, r/min	2800	2 800	2 800	2800
Moottorin nimellisteho, kW ⁵⁹	2,7	2,7	2,7	2,7
Sytytysjärjestelmä				
Sytytystulppa	Husqvarna HQT-7	Husqvarna HQT-7	Husqvarna HQT-7	Husqvarna HQT-7
Kärkiväli, mm	0,7–0,8	0,7–0,8	0,7–0,8	0,7–0,8
Polttoaine-/voitelujärjestelmä				
Moottorin voitelun tyyppi	Roiske	Roiske	Roiske	Roiske
Polttoainesäiliön tilavuus, litraa	1,0	1,0	1,0	1,0
Öljysäiliön tilavuus, litraa	0,5	0,5	0,5	0,5
Moottoriöljy ⁶⁰	Husqvarna SAE 30	Husqvarna SAE 30	Husqvarna SAE 30	Husqvarna SAE 30
Paino				
Säiliöt tyhjinä, kg	31,1	32,6	32,0	33,1
Melupäästöt⁶¹				
Äänentehotasoa, mitattu, dB(A)	96	96	95	97
Äänen tehotasoa, taattu, L _{WA} dB(A)	98	98	96	98
Äänitasot⁶²				
Äänenpainetaso käyttäjän korvan tasalla, dB(A)	86	86	82	86

⁵⁹ Moottorin ilmoitettu nimellisteho on moottorimallia edustavan tyyppillisen tuotantomoottorin keskimääräinen nettoteho (rpm) mitattuna SAE-standardin J1349/ISO1585 mukaisesti. Massatuotantomoottorit voivat poiketa tästä arvosta. Laitteeseen asennetun moottorin todellinen lähtöteho riippuu käyttönopeudesta, ympäristön olosuhteista ja muista arvoista.

⁶⁰ Jos SAE-30-öljyä käytetään alle +5 °C:n lämpötilassa, öljy ei välttämättä voitele moottoria riittävästi. Se voi vahingoittaa moottoria. Katso kohdasta *Moottoriöljyn vaihtaminen sivulla 135* tiedot alhaisiin lämpötiloihin sopivasta öljystä.

⁶¹ Melupäästö ympäristöön äänentehona (L_{WA}) EY-direktiivin 2000/14/EY mukaisesti mitattuna.

⁶² Äänenpainetasoista ilmoitettujen tietojen tyyppillinen tilastollinen hajonta (keskihajonta) on 1,2 dB(A).

	LC 151	LC 151S	LB 251S	LB 256SP
Tärinätasot⁶³				
Tärinätaaso kahvastossa, m/s ²	8,5	8,5	4,7	7,5
Terälaite				
Leikkuukorkeus, mm	25-75	25-75	25-75	25-75
Leikkuuleveys, mm	510	510	510	560
Leikkuujärjestelmä	Keruu/BioClip®/ sivullepuhallus	Keruu/BioClip®/ sivullepuhallus	BioClip®/sivulle- puhallus	BioClip®/sivulle- puhallus
Terä – vakio	Keräävä 598562601	Keräävä 598562601	Silppuava 597683901	Silppuava 598563601
Terä – lisävaruste	Silppuava 597683901	Silppuava 597683901	–	–
Ruohonkerääjän tilavuus litroina	65	65	–	–
Veto				
Liikkumisnopeus, km/h	–	3,6	4,0	3,6

⁶³ Tärinätasolle ilmoitetuissa tiedoissa tyypillinen tilastollinen hajonta (vakiopikkeama) on 0,2 m/s².

EY-vaatimustenmukaisuusvakuutus

Husqvarna AB, SE-561 82 Huskvarna, Ruotsi, puh.:
+46-36-146500, vakuuttaa, että **Husqvarna, LC 151, LC
151S, LB 251S, LB 256SP -ruohonleikkurit** vuodesta
2020 alkaen ovat seuraavien NEUVOSTON
DIREKTIIVIEN mukaisia:

- 8. kesäkuuta 2011 annettu direktiivi **2011/65/EU**
tietyjen vaarallisten aineiden käytön rajoittamisesta
- 17. toukokuuta 2006 annettu konedirektiivi
2006/42/EY
- 26. helmikuuta 2014 annettu direktiivi **2014/30/EU**
sähkömagneettisesta yhteensopivuudesta
- 8. toukokuuta 2000 annettu laitemeludirektiivi
2000/14/EY.

Melupäästöjä koskevat tiedot löytyvät luvusta Tekniset
tiedot.

Seuraavia standardeja on sovellettu:

**EN ISO 5395-1:2013, EN ISO 5395-1:2013/A1, EN ISO
5395-2:2013, EN ISO 5395-2:2013/A1:2016, EN ISO
5395-2:2013/A2:2017, EN ISO 14982:2009**

Yllä luetellut standardit ovat standardien uusimmat
julkaistut versiot, mikäli muuta ei ole ilmoitettu.

Ilmoitettu tarkastuslaitos (LC 151, LC 151S, LB 256SP):
**0036, TÜV SÜD Industrie Service GmbH,
Westendstrasse 199, 80686 München, Germany** on
arvioinut vaatimustenmukaisuuden direktiivin
2000/14/EY liitteen VI mukaisesti.

Ilmoitettu tarkastuslaitos (LB 251S): **0404, RISE SMP
Svensk Maskinprovning AB, Box 7035, SE-750 07
Uppsala, Sweden** on arvioinut vaatimustenmukaisuuden
direktiivin 2000/14/EY liitteen VI mukaisesti.

Huskvarna, 2020-10-20



Claes Losdal, kehityspäällikkö/puutarhatuotteet
(Husqvarna AB:n valtuutettu ja teknisestä
dokumentaatiosta vastaava edustaja)

Sommaire

Introduction.....	141	Dépannage moteur.....	151
Sécurité.....	142	Transport, entreposage et mise au rebut.....	152
Montage.....	145	Caractéristiques techniques.....	154
Utilisation.....	146	Déclaration de conformité CE.....	156
Entretien.....	148		

Introduction

Description du produit

Le produit est une tondeuse rotative à pousser. Pour LC 151, LC 151S, fixez le collecteur d'herbe pour recueillir l'herbe. Fixez le déflecteur d'éjection latérale pour l'éjection latérale de l'herbe. Pour LC 151, LC 151S, fixez un kit de mulching pour broyer l'herbe et la transformer en engrais.

Aperçu du produit

(Fig. 1)

1. Guidon
2. Poignée de frein moteur
3. Manette de commande (LC 151S, LB 256SP)
4. Levier d'entraînement (LB 251S)
5. Couvercle arrière (LC 151, LC 151S)
6. Collecteur d'herbe (LC 151, LC 151S)
7. Boutons de hauteur de la poignée
8. Levier de hauteur de coupe
9. Bouchon et jauge d'huile
10. Couvercle latéral d'éjection
11. Silencieux
12. Bougie
13. Carburateur
14. Bouchon du réservoir d'essence
15. Symboles
16. Capot de coupe
17. Filtre à air
18. Déflecteur latéral
19. Kit de mulching (accessoire pour LC 151, LC 151S)
20. Poignée du câble du démarreur
21. Manuel de l'opérateur

Symboles concernant le produit

- (Fig. 2) **AVERTISSEMENT !** Soyez prudent et utilisez le produit correctement. Ce produit peut causer des blessures graves, voire mortelles, à l'opérateur ou à d'autres personnes.

Utilisation prévue

Utilisez le produit pour couper l'herbe. N'utilisez pas ce produit pour d'autres travaux.

- (Fig. 3) Veuillez lire attentivement le manuel d'utilisation et assurez-vous de bien comprendre les instructions avant utilisation.
- (Fig. 4) Attention : projections et ricochets.
- (Fig. 5) Maintenez les personnes et les animaux à une distance suffisante de la zone de travail.
- (Fig. 6) Avertissement : Maintenez les mains et les pieds à distance de la lame en rotation.
- (Fig. 7) Avertissement : Maintenez les pieds et les mains à distance des pièces en mouvement.
- (Fig. 8) Coupez le moteur et retirez le câble d'allumage avant toute réparation ou opération d'entretien.
- (Fig. 9) Ce produit est conforme aux directives CE en vigueur.
- (Fig. 10) Émissions sonores dans l'environnement selon la directive de la Communauté européenne. Les émissions du produit sont indiquées au chapitre Caractéristiques techniques et sur les autocollants.
- (Fig. 11) Risque d'incendie.
- (Fig. 12) Ne respirez pas les gaz d'échappement. Les gaz d'échappement du moteur contiennent du monoxyde de carbone, un gaz inodore, toxique et très dangereux. Ne démarrez pas le moteur en intérieur ou dans des espaces fermés.
- (Fig. 13) Surface chaude.

(Fig. 14) Remplissez le moteur d'huile avant de démarrer le produit.

Remarque: Les autres symboles/autocollants présents sur le produit concernent des exigences de certification spécifiques à certaines zones commerciales.

Responsabilité

Conformément à la loi sur la responsabilité du fait des produits, nous déclinons toute responsabilité pour tout dommage causé par notre produit si :

- le produit n'est pas correctement réparé ;

- le produit est réparé avec des pièces qui ne proviennent pas du fabricant ou qui ne sont pas homologuées par le fabricant ;
- le produit est équipé d'un accessoire qui ne provient pas du fabricant ou qui n'est pas homologué par le fabricant ;
- le produit n'est pas réparé par un centre d'entretien agréé ou par une autorité homologuée.

Émissions Euro V



AVERTISSEMENT: toute altération du moteur a pour effet d'annuler l'homologation de type UE de ce produit.

Sécurité

Définitions de sécurité

Des avertissements, des recommandations et des remarques sont utilisés pour souligner des parties spécialement importantes du manuel.



AVERTISSEMENT: Symbole utilisé en cas de risque de blessures ou de mort pour l'opérateur ou les personnes à proximité si les instructions du manuel ne sont pas respectées.



REMARQUE: Symbole utilisé en cas de risque de dommages pour le produit, d'autres matériaux ou les environs si les instructions du manuel ne sont pas respectées.

Remarque: Symbole utilisé pour donner des informations supplémentaires pour une situation donnée.

Instructions générales de sécurité



AVERTISSEMENT: Lisez les instructions qui suivent avant d'utiliser le produit.

- Ce produit est dangereux s'il est utilisé de manière incorrecte ou imprudente. Des blessures graves ou mortelles peuvent se produire si vous ne respectez pas les instructions de sécurité.
- Ce produit génère un champ électromagnétique durant son fonctionnement. Ce champ peut dans certaines circonstances perturber le fonctionnement d'implants médicaux actifs ou passifs. Pour réduire le risque de blessures graves ou mortelles, les personnes portant des implants médicaux doivent consulter leur médecin et le fabricant de leur implant avant d'utiliser ce produit.

- Soyez toujours prudent et utilisez votre bon sens. Si vous ne savez pas comment faire fonctionner le produit dans une situation particulière, ne l'utilisez pas et contactez votre Husqvarna revendeur avant de poursuivre.
- N'oubliez pas que l'opérateur sera tenu responsable des accidents occasionnés à des tiers et à leurs biens.
- Maintenez le produit propre. Assurez-vous que vous pouvez lire clairement les avertissements et les autocollants.
- Ne laissez personne utiliser le produit avant d'avoir lu et compris le contenu du manuel de l'opérateur.
- Ne laissez pas un enfant utiliser le produit.
- Maintenez les enfants éloignés de la zone de travail. Un adulte responsable doit être présent à tout moment.
- Ne laissez pas une personne utiliser le produit si elle ne connaît pas les instructions.
- Surveillez constamment les personnes aux capacités physiques ou mentales réduites qui utilisent ce produit. Un adulte responsable doit être présent à tout moment.
- N'utilisez jamais l'appareil si vous êtes fatigué ou malade, ou si vous êtes sous l'emprise d'alcool, de drogues ou de médicaments. Cela a un effet négatif sur votre vision, votre vigilance, votre coordination et votre jugement.
- N'utilisez pas le produit si celui-ci est défectueux.
- Ne modifiez jamais le produit et ne l'utilisez jamais s'il est susceptible d'avoir été modifié par un tiers.
- Ne modifiez pas le réglage de régulation du régime moteur.

Sécurité dans l'espace de travail



AVERTISSEMENT: Lisez les instructions qui suivent avant d'utiliser le produit.

- Retirez les objets tels que les branches, les brindilles et les pierres de la zone de travail avant d'utiliser le produit.
- Les objets heurtant l'équipement de coupe peuvent être éjectés et causer des blessures ou des dégâts matériels. Maintenez les personnes aux alentours et les animaux à une distance suffisante du produit.
- N'utilisez jamais le produit par mauvais temps, par exemple en cas de brouillard, de pluie, de vent violent, de froid intense et de risque d'éclair. Utiliser le produit par mauvais temps ou dans des environnements humides est fatigant. Le mauvais temps peut rendre les conditions de travail dangereuses : des surfaces peuvent par exemple devenir glissantes.
- Identifiez les éventuels personnes, objets et situations susceptibles de nuire à la sécurité du fonctionnement du produit.
- Soyez attentif aux obstacles tels que les racines, les pierres, les brindilles, les fosses et les fossés. L'herbe haute peut cacher des obstacles.
- Il peut être dangereux de couper l'herbe sur des terrains en pente. N'utilisez pas le produit sur un sol dont la pente est supérieure à 15°.
- Faites fonctionner le produit en travers de la courbe de la pente, jamais de haut en bas.
- Soyez prudent lorsque vous vous approchez de coins cachés et d'objets qui empêchent d'avoir une vue dégagée.

Sécurité du travail



AVERTISSEMENT: Lisez les instructions qui suivent avant d'utiliser le produit.

- Utilisez le produit uniquement pour couper les pelouses. Il est interdit d'utiliser le produit pour d'autres travaux.
- Utilisez un équipement de protection personnelle. Reportez-vous à la section *Équipement de protection individuelle à la page 143*.
- Assurez-vous que vous savez arrêter le moteur rapidement en cas d'urgence.
- Ne démarrez jamais le moteur dans un espace clos ou à proximité de matériaux inflammables. Les gaz d'échappement du moteur sont très chauds et peuvent contenir des étincelles pouvant provoquer un incendie.
- Faites fonctionner le produit uniquement si la lame et tous les couvercles sont fixés correctement. Une lame fixée de manière inadéquate risque de se détacher et de causer des blessures personnelles.
- Assurez-vous que la lame ne touche pas des objets tels que des pierres et des racines. Cela peut ne pas endommager la lame et tordre l'arbre du moteur. Un arbre tordu génère de fortes vibrations, il y a alors un risque important que la lame se détache.
- Arrêtez immédiatement le produit s'il vibre ou bute sur un objet. Débranchez le câble d'allumage de la

- bougie. Vérifiez que le produit n'est pas endommagé. Réparez les éventuels dommages ou demandez à un atelier spécialisé agréé procéder aux réparations.
- N'attachez jamais la poignée de frein moteur en permanence à la poignée de commande quand le moteur est mis en marche.
- Placez le produit sur une surface stable et plane, puis lancez-le. Vérifiez que la lame ne touche pas le sol ou tout autre objet.
- Restez toujours derrière le produit lorsque vous l'utilisez.
- Faites reposer toutes les roues sur le sol et conservez vos deux mains sur la poignée lorsque vous faites fonctionner le produit. Maintenez les mains et les pieds à distance des lames en rotation.
- N'inclinez pas le produit quand le moteur est mis en marche.
- Soyez prudent lorsque vous tirez le produit vers l'avant.
- Ne soulevez jamais le produit quand le moteur est mis en marche. Si vous devez soulever le produit, coupez d'abord le moteur et débranchez le câble d'allumage de la bougie.
- Ne marchez pas vers l'arrière lorsque vous utilisez le produit.
- Arrêtez le moteur lorsque vous vous déplacez à travers des zones exemptes d'herbe, par exemple des chemins de gravier, de pierre ou d'asphalte.
- Ne courez pas lorsque vous utilisez le produit et que le moteur est mis en marche. Vous devez toujours marcher lorsque vous utilisez le produit.
- Arrêtez le moteur avant de modifier la hauteur de coupe. N'effectuez jamais de réglages pendant que le moteur tourne.
- Ne quittez jamais le produit des yeux pendant que le moteur tourne. Arrêtez le moteur et assurez-vous que l'équipement de coupe ne tourne pas.

Consignes de sécurité pour le fonctionnement

Équipement de protection individuelle



AVERTISSEMENT: Lisez les instructions qui suivent avant d'utiliser le produit.

- L'équipement de protection individuel ne protège pas complètement des blessures, mais il diminue la gravité des blessures en cas d'accident. Faites appel à votre revendeur pour vous aider à sélectionner l'équipement adéquat.
- Utilisez des protège-oreilles si le niveau sonore est supérieur à 85 dB.
- Portez des bottes ou chaussures antidérapantes à usage intensif. Ne portez pas de chaussures ouvertes et ne soyez pas pieds nus lorsque vous utilisez le produit.

- Utilisez des pantalons longs et épais.
- Portez des gants de protection en cas de besoin, par exemple lorsque vous fixez, examinez ou nettoyez l'équipement de coupe.

matériaux inflammables et/ou des fumées pour prévenir tout risque d'incendie.

Dispositifs de sécurité sur le produit



AVERTISSEMENT: Lisez les instructions qui suivent avant d'utiliser le produit.

- N'utilisez pas un produit avec des dispositifs de sécurité défectueux.
- Contrôlez les dispositifs de sécurité régulièrement. Si les dispositifs de sécurité sont défectueux, parlez-en à votre agent d'entretien Husqvarna.

Pour contrôler le capot de coupe

Le capot de coupe réduit les vibrations dans le produit et réduit le risque de blessures provoquées par la lame.

- Examinez le capot de coupe pour vous assurer qu'il ne présente pas de dommages tels que des fissures.

Pour contrôler la poignée de frein moteur

La poignée de frein moteur arrête le moteur. Lorsque la poignée de frein moteur est relâchée, le moteur s'arrête.

- Démarrez le moteur, puis relâchez la poignée de frein moteur. Si le moteur ne s'arrête pas au bout de 3 secondes, demandez à un Husqvarna atelier spécialisé agréé de régler le frein moteur. (Fig. 15)

Pour contrôler le capot arrière

Le déflecteur arrière diminue le risque d'éjection d'objets en direction de l'opérateur.

- Assurez-vous que le capot arrière n'est pas endommagé.
- Assurez-vous que les ressorts qui ferment le capot arrière ne sont pas endommagés.
- Remplacez les ressorts endommagés et les pièces endommagées.
- Assurez-vous que le capot arrière peut se déplacer correctement sur les charnières.

Silencieux

Le silencieux est conçu pour réduire au maximum le niveau sonore et rejeter les gaz d'échappement loin de l'utilisateur.

N'utilisez pas la machine si le silencieux est manquant ou défectueux. Un silencieux en mauvais état augmente le niveau sonore et le risque d'incendie.



AVERTISSEMENT: Le silencieux devient très chaud pendant et après utilisation et lorsque le moteur fonctionne au régime de ralenti. Soyez vigilant à proximité des

Pour contrôler le silencieux

- Examinez le silencieux régulièrement pour s'assurer qu'il est correctement fixé et qu'il n'est pas endommagé.

Sécurité carburant



AVERTISSEMENT: Lisez les instructions qui suivent avant d'utiliser le produit.

- Ne démarrez pas le produit si du carburant ou de l'huile moteur a été renversé(e) sur le produit. Essayez le carburant/l'huile et attendez que le produit sèche.
- Si vous avez renversé du carburant sur vos vêtements, changez de vêtements immédiatement.
- Évitez tout contact de la peau avec le carburant. Le carburant peut causer des blessures. Si votre peau entre en contact avec le carburant, lavez les parties qui ont été en contact avec de l'eau et du savon.
- Ne démarrez pas le produit s'il y a une fuite de moteur. Vérifiez régulièrement s'il y a des fuites de moteur.
- Faites attention avec le carburant. Le carburant est inflammable et ses vapeurs sont explosives. Il peut causer des blessures graves, voire mortelles.
- Ne respirez pas les vapeurs de carburant, elles peuvent causer des blessures. Assurez-vous que la ventilation est suffisante.
- Ne fumez pas à proximité du carburant ou du moteur.
- Ne mettez pas d'objets chauds à proximité du carburant ou du moteur.
- N'ajoutez pas de carburant lorsque le moteur est allumé.
- Assurez-vous que le moteur est froid avant de faire le plein de carburant.
- Avant de faire le plein, ouvrez le bouchon du réservoir de carburant lentement et relâchez la pression avec précaution.
- N'ajoutez pas de carburant au moteur dans un espace intérieur. Un débit d'air insuffisant peut causer des blessures graves, voire mortelles dues à une asphyxie ou au monoxyde de carbone.
- Serrez complètement le bouchon du réservoir de carburant. Si le bouchon du réservoir de carburant n'est pas serré, il y a un risque d'incendie.
- Déplacez le produit à un minimum de 3 m/10 ft de l'endroit où a été fait le plein de carburant avant de démarrer le produit.
- Ne remplissez pas entièrement le réservoir de carburant. La chaleur entraîne la dilatation du carburant. Laissez un espace en haut du réservoir de carburant.

Consignes de sécurité pour l'entretien



AVERTISSEMENT: Lisez les instructions qui suivent avant d'utiliser le produit.

- Les gaz d'échappement du moteur contiennent du monoxyde de carbone, un gaz inodore, toxique et très dangereux. Ne démarrez pas le moteur en intérieur ou dans des espaces fermés.
- Avant de procéder à l'entretien du produit, arrêtez le moteur et débranchez le câble d'allumage de la bougie.
- Utilisez des gants de protection lorsque vous procédez à l'entretien de l'équipement de coupe. La lame est très tranchante et des coupures peuvent survenir facilement.
- Les accessoires et les modifications apportées au produit qui ne sont pas approuvés par le fabricant peuvent causer des blessures très graves, voire mortelles. Ne modifiez pas le produit. Utilisez toujours des accessoires qui sont approuvés par le fabricant.
- Si l'entretien n'est pas effectué correctement et régulièrement, le risque de blessures et d'endommagement du produit augmente.
- Effectuez uniquement les tâches d'entretien décrites dans le présent manuel d'utilisation. Toutes les autres tâches d'entretien doivent être effectuées par un Husqvarna atelier spécialisé agréé.
- Demandez à un Husqvarna atelier spécialisé d'effectuer régulièrement l'entretien du produit.
- Remplacez les pièces endommagées, usées ou cassées.

Montage

Introduction



AVERTISSEMENT: Avant de monter le produit, vous devez lire et comprendre le chapitre sur la sécurité.



AVERTISSEMENT: Débranchez le câble d'allumage de la bougie avant de monter le produit.

Pour monter la poignée

1. Poussez la vis (A) dans la poignée (B), la rondelle en plastique (C) et le support de poignée (D). (Fig. 16)
2. Serrez entièrement l'écrou (E).
3. Poussez la vis (F) dans la rondelle (G) et le support de poignée. (Fig. 17)
4. Serrez entièrement le bouton (H).

Pour régler la poignée

1. Desserrez les boutons inférieurs.
2. Faites glisser les boutons jusqu'aux extrémités inférieures des rainures sur le côté gauche et le côté droit de la machine. (Fig. 18)
3. Réglez la hauteur de la poignée selon l'une des deux positions disponibles.
4. Déplacez les boutons vers le haut, en direction de la poignée, jusqu'à ce qu'ils s'arrêtent et qu'un clic se fasse entendre. (Fig. 19)

5. Serrez fermement les boutons.

Pour régler le produit en position de transport

1. Desserrez les boutons inférieurs.
2. Faites glisser les boutons jusqu'aux extrémités inférieures des rainures sur le côté gauche et le côté droit de la machine. (Fig. 18)
3. Pliez la poignée vers l'avant. (Fig. 20)

Pour régler le produit en position de fonctionnement

1. Mettez la poignée en position verticale. (Fig. 21)
2. Déplacez les boutons vers le haut, en direction de la poignée, jusqu'à ce qu'ils s'arrêtent et qu'un clic se fasse entendre. (Fig. 19)
3. Serrez fermement les boutons.

Pour monter le collecteur d'herbe (LC 151, LC 151S)

1. Fixez le châssis du collecteur d'herbe au sac à herbe, la partie rigide du sac étant sur la partie inférieure. Maintenez la poignée du châssis à l'extérieur de la partie supérieure du sac. (Fig. 22)
2. Fixez le sac à herbe sur le châssis à l'aide des clips. (Fig. 23)

Utilisation

Introduction



AVERTISSEMENT: Avant d'utiliser le produit, vous devez lire et comprendre le chapitre sur la sécurité.

Husqvarna Connect

Husqvarna Connect est une application gratuite pour votre appareil mobile. L'application Husqvarna Connect offre des fonctions étendues à votre produit Husqvarna :

- Informations produit détaillées.
- Informations et aide sur les pièces et l'entretien du produit.

Pour commencer à utiliser Husqvarna Connect

1. Téléchargez l'application Husqvarna Connect sur votre appareil mobile.
2. Enregistrez-vous sur l'application Husqvarna Connect.
3. Suivez les instructions de l'application Husqvarna Connect pour vous connecter et enregistrer le produit.

Avant d'utiliser le produit

1. Lisez attentivement le manuel d'utilisation et assurez-vous de bien comprendre les instructions.
2. Examinez l'équipement de coupe pour vous assurer qu'il est bien fixé et réglé. Consultez la section *Pour inspecter l'équipement de coupe à la page 149*.
3. Remplissez le réservoir de carburant. Consultez la section *Pour remplir le réservoir de carburant à la page 146*.
4. Remplissez le réservoir d'huile et contrôlez le niveau d'huile. Consultez la section *Pour contrôler le niveau d'huile à la page 149*.

Pour remplir le réservoir de carburant

Si cela est possible, utilisez de l'essence d'alkylate/écologique. Si vous ne pouvez pas vous procurer de l'essence d'alkylate/écologique, utilisez l'essence sans plomb de bonne qualité ou d'essence dont le taux d'octane n'est pas inférieur à 90.



REMARQUE: N'utilisez pas d'essence avec un indice d'octane inférieur à 90 RON (87 AKI). Cela peut endommager le produit.

1. Ouvrez lentement le couvercle du réservoir de carburant pour relâcher la pression.
2. Remplissez lentement le réservoir à l'aide d'un bidon de carburant. Si vous renversez du carburant,

essuyez-le à l'aide d'un chiffon et laissez le carburant restant sécher. (Fig. 24)

3. Essuyez le pourtour du bouchon du réservoir de carburant.
4. Serrez complètement le bouchon du réservoir de carburant. Si le bouchon du réservoir de carburant n'est pas serré, il y a un risque d'incendie.
5. Déplacez le produit à un minimum de 3 m (10 ft) de l'endroit où a été fait le plein de carburant avant de démarrer le produit.

Pour régler la hauteur de coupe

1. Déplacez le levier de hauteur de coupe vers l'arrière pour augmenter la hauteur de coupe.
2. Déplacez le levier de hauteur de coupe vers l'avant pour diminuer la hauteur de coupe. (Fig. 25)



REMARQUE: La hauteur de coupe ne doit pas être réglée trop bas. Les lames peuvent toucher le sol si la surface de la pelouse n'est pas plane.

Pour démarrer le produit

1. Assurez-vous que le câble d'allumage est branché sur la bougie.
2. Restez derrière le produit.
3. Tenez la poignée de freinage du moteur contre le guidon. (Fig. 26)
4. Tenez la poignée du câble du démarreur de votre main droite.
5. Tirez lentement sur le câble du démarreur jusqu'à ce que vous sentiez une certaine résistance.
6. Tirez avec force pour démarrer le moteur.



AVERTISSEMENT: N'enroulez pas le câble du démarreur autour de votre main.

Pour appliquer l'entraînement aux roues LC 151S & LB 256SP

- Poussez la manette de commande en direction du guidon. (Fig. 27)
- Relâchez la manette de commande pour désengager l'entraînement, lorsque vous vous rendez à proximité d'un obstacle par exemple.
- Avant de tirer le produit vers l'arrière, désengagez l'entraînement et poussez le produit d'environ 10 cm vers l'avant.

Pour appliquer l'entraînement aux roues (LB 251S)

- Tirez le levier d'entraînement en direction du guidon. (Fig. 28)
- Poussez le levier d'entraînement depuis le guidon pour désengager l'entraînement, par exemple lorsque vous vous approchez d'un obstacle.

Remarque: Le levier d'entraînement est automatiquement désengagé lorsque vous relâchez la poignée de freinage du moteur.

- Avant de tirer le produit vers l'arrière, poussez le levier d'entraînement depuis le guidon et poussez le produit vers l'avant d'environ 10 cm pour désengager complètement l'entraînement.

Pour arrêter le produit

- Pour arrêter l'entraînement uniquement, relâchez la manette de commande (LC 151S, LB 256SP) ou le levier d'entraînement (LB 251S).
- Pour arrêter le moteur, relâchez la poignée de freinage du moteur.

Pour utiliser le produit avec le collecteur d'herbe (LC 151, LC 151S)



AVERTISSEMENT: N'utilisez pas le produit sans qu'un collecteur d'herbe soit installé ou sans que le capot arrière soit fermé. Les objets peuvent s'éjecter et blesser l'opérateur.

1. Soulevez le capot arrière et retirez l'obturateur du broyeur, s'il est installé. (Fig. 29)
2. Montez le collecteur d'herbe, reportez-vous à la section *Pour monter le collecteur d'herbe (LC 151, LC 151S)* à la page 145.
3. Placez le collecteur d'herbe sur le support.
4. Relâchez le capot arrière et placez-le sur le dessus du châssis du collecteur d'herbe. (Fig. 30)

Pour passer le produit en mode broyage (LC 151, LC 151S)

Assurez-vous que le moteur est coupé avant de passer le produit en mode broyage.

1. Soulevez le capot arrière et retirez le collecteur d'herbe, s'il est installé.
2. Placez l'obturateur du broyeur dans le canal d'éjection. (Fig. 31)
3. Fermez le capot arrière et assurez-vous qu'il est bien fermé contre l'obturateur du broyeur.

4. Remplacez la lame par la lame de broyeur fournie dans le kit de mulching. Reportez-vous à la section *Pour remplacer la lame à la page 149.*

Pour passer le produit en mode éjection latérale

1. Soulevez le capot arrière et retirez le sac à herbe, s'il est installé.
2. Fermez le capot arrière et assurez-vous qu'il est bien fermé contre le produit.
3. Soulevez le verrou d'éjection. (Fig. 32)
4. Ouvrez le couvercle d'éjection latérale et posez le déflecteur d'éjection latérale sur les goupilles de support. (Fig. 33)
5. Laissez le couvercle d'éjection latérale se fermer contre le déflecteur d'éjection latérale. Assurez-vous que le déflecteur d'éjection latérale est bien en place avant d'utiliser le produit.

Vider le collecteur d'herbe



REMARQUE: Soulevez le collecteur d'herbe lorsque vous le déplacez pour éviter toute usure.

1. Soulevez le collecteur d'herbe à l'aide de la poignée du châssis.
2. Utilisez la poignée du châssis et la poignée du sac pour vider le collecteur d'herbe. (Fig. 34)

Obtenir de bons résultats

- Utilisez toujours une lame correctement affûtée. Une lame émoussée produit un résultat irrégulier et l'herbe jaunira à la surface de la coupe. De plus, une lame affûtée consomme moins d'énergie qu'une lame émoussée.
- Ne coupez pas plus d'un tiers de la longueur de l'herbe. Utilisez la hauteur de coupe la plus élevée lorsque vous commencez à couper l'herbe. Examinez le résultat et abaissez la hauteur de coupe à un niveau convenable. Si l'herbe est très longue, tondez lentement, et deux fois si nécessaire.
- Tondez toujours dans différentes directions afin d'éviter de faire des lignes dans la pelouse.
- Relevez le capot arrière et retirez le collecteur d'herbe.
- Si un obturateur et une lame de broyeur sont montés, déposez-les.
- Fermez le couvercle arrière avant d'utiliser le produit. Lorsque vous faites fonctionner le produit, l'herbe coupée est évacuée sous le couvercle arrière.

Entretien

Introduction



AVERTISSEMENT: Avant d'effectuer des travaux d'entretien, vous devez lire et comprendre le chapitre sur la sécurité.

Une formation spécifique est nécessaire pour effectuer tous les travaux d'entretien et de réparation du produit. Nous garantissons qu'il vous est possible d'obtenir des services de réparation et d'entretien effectués par des professionnels. Si votre concessionnaire n'est pas un atelier spécialisé, demandez-lui des informations à propos de l'atelier spécialisé le plus proche.

Calendrier d'entretien



REMARQUE: Assurez-vous que le filtre à air est orienté vers le haut et qu'il n'est pas contre le sol lorsque vous inclinez le produit. Risque de détérioration du moteur.

Les intervalles d'entretien sont calculés selon une utilisation quotidienne du produit. Les intervalles sont différents si le produit n'est pas utilisé tous les jours.

Pour les travaux d'entretien suivis d'un astérisque (*), reportez-vous aux instructions dans la section *Dispositifs de sécurité sur le produit à la page 144.*

Entretien	Au quotidien	Une fois par mois	À chaque saison
Faites une inspection générale	X		
Inspectez le niveau d'huile	X		
Changez l'huile (la première fois après 5 h d'utilisation, puis toutes les 50 h d'utilisation) ⁶⁴			X
Nettoyez le produit	X		
Inspectez l'équipement de coupe	X		
Inspectez le capot de coupe *	X		
Inspectez la poignée de frein moteur *	X		
Inspectez le silencieux *		X	
Vérifiez la bougie. Nettoyez ou remplacez la bougie si nécessaire			X
Inspectez le filtre à air	X		
Nettoyez le filtre à air ⁶⁵		X	
Remplacez le filtre à air			X
Inspectez le système de carburant			X
Nettoyez les ailettes de refroidissement sur le cylindre.		X	
Contrôlez et réglez le câble d'embrayage (LC 151S, LB 251S, LB 256SP)			X
Nettoyez la surface sous le couvercle de transmission (LB 251S)			X

Pour faire une inspection générale

- Assurez-vous que l'ensemble des vis et des écrous du produit sont correctement serrés.

⁶⁴ Si le produit est utilisé avec une charge lourde ou à une température ambiante élevée, remplacez l'huile moteur toutes les 25 heures.

⁶⁵ Nettoyez-le plus souvent en cas de conditions poussiéreuses ou en présence de rejets aériens. Remplacez le filtre à air s'il est très sale.

Pour nettoyer la partie extérieure du produit

- Utilisez une brosse pour enlever les feuilles, l'herbe et la saleté.
- Assurez-vous que la prise d'air sur le dessus du moteur n'est pas obstruée.
- N'utilisez pas de nettoyeur haute pression pour le nettoyage du produit.
- Si vous utilisez de l'eau pour nettoyer le produit, ne projetez jamais d'eau directement sur le moteur.

Pour nettoyer la surface interne du capot de coupe

1. Videz le réservoir de carburant.
2. Inclinez le produit. Assurez-vous que la bougie pointe vers le haut.



REMARQUE: Si le produit est posé avec le filtre à air vers le bas, le moteur peut être endommagé.

3. Lavez au jet la surface intérieure du capot de coupe.

Nettoyer la surface sous le couvercle de transmission (LB 251S)

1. Videz le réservoir de carburant.
2. Inclinez le produit. Assurez-vous que la bougie pointe vers le haut.



REMARQUE: Si le produit est posé avec le filtre à air vers le bas, le moteur peut être endommagé.

3. Retirez les 7 vis. (Fig. 35)
4. Déposez le capot de transmission.
5. Nettoyez la surface à l'aide d'une brosse.



REMARQUE: Toute présence d'eau ou toute contamination sous le couvercle de transmission peut endommager la transmission.

6. Posez le couvercle de transmission et les 7 vis.

Pour inspecter l'équipement de coupe



AVERTISSEMENT: Afin d'éviter tout démarrage accidentel, débranchez le câble d'allumage de la bougie.



AVERTISSEMENT: Utilisez des gants de protection lorsque vous procédez à l'entretien de l'équipement de coupe. La lame est très tranchante et des coupures peuvent survenir facilement.

1. Inspectez l'équipement de coupe afin de détecter d'éventuels dommages ou fissures. Remplacez toujours un équipement de coupe endommagé.
2. Inspectez la lame pour voir si elle est endommagée ou émoussée.

Remarque: Il est nécessaire d'équilibrer la lame après l'avoir affûtée. Demandez à un centre d'entretien d'affûter, de remplacer et d'équilibre la lame. Si vous heurtez un obstacle qui entraîne l'arrêt du produit, remplacez la lame endommagée. Demandez au centre d'entretien d'évaluer si la lame peut être affûtée ou si elle doit être remplacée.

Pour remplacer la lame

1. Bloquez la lame avec un bloc en bois. (Fig. 36)
 2. Retirez le boulon de lame.
 3. Retirez la lame.
 4. Examinez le support de lame et le boulon de lame pour voir s'ils sont endommagés.
 5. Examinez l'arbre du moteur pour vous assurer qu'il n'est pas tordu.
 6. Lorsque vous fixez la nouvelle lame, orientez le tranchant en direction du capot de coupe. (Fig. 37)
 7. Assurez-vous que la lame est alignée par rapport au centre de l'arbre du moteur.
 8. Bloquez la lame avec un bloc en bois. Fixez la rondelle ressort, puis serrez le boulon et la rondelle à un couple de 43 – 47 Nm. (Fig. 38)
 9. Déplacez la lame à la main et vérifiez qu'elle tourne librement.
10. Démarrez le produit pour tester la lame. Si la lame n'est pas correctement fixée, le produit vibre ou le résultat de coupe n'est pas satisfaisant.



AVERTISSEMENT: Utilisez des gants de travail épais. La lame est très tranchante et des coupures peuvent survenir facilement.

Pour contrôler le niveau d'huile



REMARQUE: Un niveau d'huile trop bas peut endommager le moteur. Contrôlez le niveau d'huile avant de démarrer le produit.

1. Placez le produit sur un sol plat.
2. Retirez le bouchon du réservoir d'huile et la jauge qui y est attachée.
3. Nettoyez l'huile sur la jauge.
4. Insérez entièrement la jauge dans le réservoir d'huile pour connaître le véritable niveau d'huile.
5. Enlevez la jauge.
6. Inspectez le niveau d'huile sur la jauge.

- Si le niveau d'huile est bas, faites l'appoint d'huile moteur et contrôlez à nouveau le niveau d'huile.

Pour remplacer l'huile moteur



AVERTISSEMENT: L'huile moteur est très chaude juste après l'arrêt du moteur. Laissez le moteur refroidir avant de vidanger l'huile moteur. Si vous renversez de l'huile moteur sur votre peau, nettoyez avec de l'eau et du savon.

(Fig. 39)

- Faites fonctionner le produit jusqu'à ce que le réservoir de carburant soit vide.
- Débranchez le câble d'allumage de la bougie.
- Retirez le bouchon du réservoir d'huile.
- Placez un récipient sous le produit pour recueillir l'huile moteur.
- Inclinez le produit pour vidanger l'huile moteur dans le réservoir d'huile.
- Faites le plein avec de la nouvelle huile moteur du type recommandé dans *Caractéristiques techniques à la page 154*.
- Contrôlez le niveau d'huile. Reportez-vous à la section *Pour contrôler le niveau d'huile à la page 149*.

Pour vérifier la bougie



REMARQUE: Utilisez toujours le type de bougie recommandé. Un type de bougie inadéquat peut endommager le produit.

- Inspectez la bougie si le moteur manque de puissance, n'est pas facile à démarrer ou ne fonctionne pas correctement lorsqu'il tourne au régime de ralenti.
- Afin de réduire le risque de matériaux indésirables présents sur les électrodes de la bougie, procédez comme suit :
 - Assurez-vous que le régime de ralenti est correctement réglé.
 - Assurez-vous que le mélange de carburant est correct.
 - Assurez-vous que le filtre à air est propre.
- Si la bougie est encrassée, nettoyez-la et vérifiez que l'écartement des électrodes est correct ; reportez-vous à la section *Caractéristiques techniques à la page 154*. (Fig. 40)
- Remplacez la bougie si nécessaire.

Filtre à air

Un filtre à air sale peut endommager le moteur ou provoquer son dysfonctionnement. Effectuez l'entretien du filtre à air plus fréquemment en cas d'utilisation en conditions poussiéreuses. Reportez-vous à la section

Entretien à la page 148 pour plus d'informations sur le remplacement du filtre à air.

Remarque: Remplacez toujours un filtre à air endommagé.

Dépose et installation du filtre à air



AVERTISSEMENT: Utilisez des gants de protection.

- Poussez les clips sur le couvercle du filtre à air.
- Déposez avec précaution le couvercle du filtre à air (A) du moteur.
- Déposez le filtre à air (B). (Fig. 41)
- Examinez le filtre à air à la recherche de dommages. Remplacez le filtre à air s'il est endommagé.
- Nettoyez et examinez le filtre à air. Reportez-vous à la section *Pour nettoyer le filtre à air à la page 150*.
- Effectuez l'installation en suivant les étapes dans l'ordre inverse.

Pour nettoyer le filtre à air

Un filtre à air sale peut endommager le moteur ou provoquer son dysfonctionnement. Effectuez l'entretien du filtre à air plus fréquemment en cas d'utilisation en conditions poussiéreuses.

Reportez-vous à la section *Entretien à la page 148* pour plus d'informations sur le remplacement du filtre à air.

- Retirez le couvercle du filtre à air et le filtre.
- Nettoyez le filtre en le frappant contre une surface plane. N'utilisez pas de diluant avec de l'essence, du kérosène, ou de l'air comprimé pour nettoyer le filtre.

Remarque: Les filtres à air en fonctionnement pendant une longue période ne peuvent pas être nettoyés complètement. Remplacez le filtre à air à intervalles réguliers. Les filtres à air endommagés doivent toujours être remplacés.

- Lors de l'assemblage du filtre à air, veillez à assurer une bonne étanchéité entre celui-ci et le support du filtre.

Contrôle du déflecteur d'éjection latérale

Le déflecteur d'éjection latérale est fixé à l'ouverture d'éjection latérale du produit. Il réduit les risques de projection d'objets vers la position de tonte de l'utilisateur.

- Assurez-vous que le déflecteur d'éjection latérale n'est pas endommagé.
- Examinez le déflecteur d'éjection latérale. Assurez-vous qu'aucun défaut n'est présent, tels que des fissures ou des ressorts cassés qui entraînent une fermeture forcée du capot.

- 3. Remplacez le déflecteur d'éjection latérale ou les ressorts s'ils sont endommagés.

Pour examiner le système de carburant

- Examinez le couvercle du réservoir de carburant et le joint du couvercle du réservoir de carburant pour vous assurer qu'ils ne sont pas endommagés.
- Examinez le tuyau à carburant pour vous assurer qu'il n'y a pas de fuite. Si le tuyau à carburant est endommagé, demandez à un atelier spécialisé de le remplacer.

Pour régler le câble d'embrayage (LC 151S, LB 251S, LB 256SP)

Pour les situations suivantes, il est nécessaire de réduire la longueur du câble d'embrayage :

- L'entraînement des roues ne s'engage pas lorsque vous tirez la manette de commande ou le levier de commande de vitesse.

- Le produit se déplace lentement lorsque l'entraînement des roues est engagé.

Pour les situations suivantes, il est nécessaire d'augmenter la longueur du câble d'embrayage :

- Le produit se déplace lorsque l'entraînement des roues n'est pas engagé.
- Réglez le câble d'embrayage.
 - a) Pour réduire la longueur du câble d'embrayage, tournez la vis de réglage dans le sens contraire des aiguilles d'une montre.
 - b) Pour augmenter la longueur du câble d'embrayage, tournez la vis de réglage dans le sens des aiguilles d'une montre. (Fig. 42)

Si le produit continue à ne pas fonctionner correctement après le réglage, contactez votre atelier d'entretien

Dépannage moteur

Problème	Cause possible	Solution
Le moteur ne démarre pas.	Le câble d'allumage n'est pas branché correctement.	Branchez le câble d'allumage à la bougie.
	Le réservoir de carburant est vide.	Remplissez le réservoir de carburant avec le carburant adéquat.
	Le carburant est vieux.	Vidangez le réservoir de carburant et le carburateur. Faites le plein d'essence propre.
	Il y a des saletés dans le carburateur ou dans la durite de carburant.	Nettoyez le carburateur et/ou la durite de carburant.
	La bougie d'allumage est défectueuse.	Réglez l'écartement des électrodes, nettoyez ou remplacez la bougie.
	Présence de carburant sur la bougie.	Nettoyez la bougie.
Le moteur ne s'arrête pas.	Le mécanisme d'arrêt est défectueux.	Débranchez le câble d'allumage de la bougie. Faites réparer le produit par un atelier de réparation homologué.

Problème	Cause possible	Solution
Le moteur ne fonctionne pas correctement.	Le câble d'allumage n'est pas branché correctement.	Branchez le câble d'allumage à la bougie.
	Des saletés sont présentes dans la durite de carburant ou le carburant a expiré.	Nettoyez la conduite de carburant. Remplissez le réservoir de carburant avec du carburant neuf adéquat.
	Le bouchon du réservoir de carburant est colmaté.	Nettoyez le bouchon du réservoir de carburant.
	De l'eau ou de la saleté sont présentes dans le système de carburant.	Videz le réservoir de carburant. Remplissez le réservoir de carburant avec du carburant neuf adéquat.
	Le filtre à air est sale.	Nettoyez le filtre à air.
	Le carburateur doit être réglé.	Laissez un concessionnaire régler le carburateur.
Le moteur devient trop chaud.	Le niveau d'huile moteur est trop bas.	Remplissez l'huile moteur.
	Le débit d'air est insuffisant.	Nettoyez le filtre à air et le boîtier du filtre à air.
	Le carburateur doit être réglé.	Laissez un concessionnaire régler le carburateur.
Des ratés proviennent du moteur lorsqu'il fonctionne à grande vitesse.	L'écartement des électrodes dans la bougie est trop petit.	Réglez l'écartement des électrodes.
Bruits inhabituels du moteur en charge normale.	Type d'essence incorrect.	Vidangez le réservoir de carburant et le carburateur. Faites le plein d'essence propre. Reportez-vous à la section <i>Pour remplir le réservoir de carburant à la page 146</i> . Si le problème persiste, contactez votre revendeur local.
Le moteur ne fonctionne pas correctement lorsqu'il tourne au régime de ralenti.	La bougie est sale, défectueuse ou l'écartement des électrodes est trop grand.	Ajustez l'écartement des électrodes ou remplacez la bougie.
	Le carburateur doit être réglé.	Réglez le carburateur.
	Le filtre à air est sale.	Nettoyez le filtre à air.

Transport, entreposage et mise au rebut

Transport et stockage

- Pour le stocker et transporter le produit et le carburant, assurez-vous qu'il n'y a pas de fuite ou de vapeurs. Les étincelles ou les flammes nues produites par exemple par des appareils électriques ou chaudières peuvent provoquer un incendie.
- Utilisez uniquement des récipients homologués pour le transport et le stockage de carburant.
- Videz le réservoir de carburant avant de remiser le produit pendant une longue période. Mettez le carburant au rebut dans une déchetterie appropriée

- Sécurisez le produit lors de son transport pour éviter tout dommage ou accident.
- Conservez le produit dans un endroit verrouillé afin que des enfants ou personnes qui ne sont pas autorisées à l'utiliser ne puissent pas y avoir accès.
- Conservez le produit dans un endroit sec et à l'abri du gel.

Mise au rebut

- Respectez les consignes locales de recyclage et la réglementation en vigueur.

- Mettez au rebut tous les produits chimiques tels que l'huile moteur ou le carburant à un centre d'entretien ou à une déchetterie appropriée.
- Lorsque vous n'utilisez plus le produit, renvoyez-le à un Husqvarnaconcessionnaire ou mettez-le au rebut dans une déchetterie.

Caractéristiques techniques

Caractéristiques techniques

	LC 151	LC 151S	LB 251S	LB 256SP
Moteur				
Marque	Husqvarna	Husqvarna	Husqvarna	Husqvarna
Type de moteur	Un cylindre, 4 temps, refroidissement par air forcé, OHV	Un cylindre, 4 temps, refroidissement par air forcé, OHV	Un cylindre, 4 temps, refroidissement par air forcé, OHV	Un cylindre, 4 temps, refroidissement par air forcé, OHV
Cylindrée, cm ³	166	166	166	166
Vitesse, tr/min.	2 800	2 800	2 800	2 800
Puissance nominale du moteur, kW ⁶⁶	2,7	2,7	2,7	2,7
Système d'allumage				
Bougie	Husqvarna HQT-7	Husqvarna HQT-7	Husqvarna HQT-7	Husqvarna HQT-7
Écartement des électrodes, mm	0,7-0,8	0,7-0,8	0,7-0,8	0,7-0,8
Système de graissage/de carburant				
Type de lubrification du moteur	Projection	Projection	Projection	Projection
Capacité du réservoir de carburant, litres	1,0	1,0	1,0	1,0
Contenance du réservoir d'huile, litres	0,5	0,5	0,5	0,5
Huile moteur ⁶⁷	Husqvarna SAE 30	Husqvarna SAE 30	Husqvarna SAE 30	Husqvarna SAE 30
Poids				
Réservoirs vides, en kg	31,1	32,6	32,0	33,1
Émissions sonores⁶⁸				
Niveau de puissance sonore mesuré, dB (A)	96	96	95	97
Niveau de puissance sonore, garanti, L _{WA} dB(A)	98	98	96	98

⁶⁶ La puissance nominale du moteur indiquée est la puissance nette moyenne (à un régime en tr/min spécifié) d'un moteur de production typique pour le modèle de moteur mesurée selon la norme SAE J1349/ISO1585. Les moteurs produits à grande échelle peuvent s'écarter de cette valeur. La puissance effective du moteur installé sur le produit fini dépend de la vitesse de fonctionnement, des conditions environnementales et d'autres valeurs.

⁶⁷ Si l'huile SAE-30 est utilisée à des températures inférieures à +5 °C, il y a un risque qu'elle ne lubrifie pas suffisamment le moteur. Cela peut endommager le moteur. Reportez-vous à la section *Pour remplacer l'huile moteur à la page 150* afin de connaître l'huile appropriée pour les basses températures.

⁶⁸ Émissions sonores dans l'environnement mesurées comme puissance sonore (L_{WA}) selon la directive européenne CE 2000/14/CE.

	LC 151	LC 151S	LB 251S	LB 256SP
Niveaux sonores⁶⁹				
Niveau de pression sonore au niveau de l'oreille de l'utilisateur, dB(A)	86	86	82	86
Niveaux de vibrations⁷⁰				
Vibrations au niveau du guidon, m/s ²	8,5	8,5	4,7	7,5
Équipement de coupe				
Hauteur de coupe, en mm	25-75	25-75	25-75	25-75
Profondeur de coupe, en mm	510	510	510	560
Système de coupe	Collecte / Bio-Clip® / éjection latérale	Collecte / Bio-Clip® / éjection latérale	BioClip® / éjection latérale	BioClip® / éjection latérale
Lame - standard	Collecte 598562601	Collecte 598562601	Broyage 597683901	Broyage 598563601
Lame - accessoire	Broyage 597683901	Broyage 597683901	-	-
Capacité du collecteur d'herbe, en litres	65	65	-	-
Entraînement				
Vitesse de marche, km/h	-	3,6	4,0	3,6

⁶⁹ Les données reportées pour le niveau de pression sonore montrent une dispersion statistique typique (dévi-
ation standard) de 1,2 dB(A).

⁷⁰ Les données reportées pour le niveau de vibrations montrent une dispersion statistique typique (dévi-
ation standard) de 0,2 m/s².

Déclaration de conformité CE

Déclaration de conformité CE

Nous, **Husqvarna AB**, SE-561 82 Huskvarna, Suède, tél. : +46-36-146500, déclarons que la **tondeuse Husqvarna LC 151, LC 151S, LB 251S, LB 256SP** à partir de l'année 2020 et au-delà est conforme aux dispositions des DIRECTIVES DU CONSEIL :

- du 8 juin 2011 « relative à la limitation de l'utilisation de certaines substances dangereuses » **2011/65/UE**
- du 17 mai 2006 « relative aux machines » **2006/42/CE**
- du 26 février 2014 « relative à la compatibilité électromagnétique » **2014/30/UE**
- du 8 mai 2000 « relative aux émissions sonores dans l'environnement » **2000/14/CE**

Pour toute information relative aux émissions sonores, veuillez consulter les caractéristiques techniques.

Les normes suivantes ont été appliquées :

EN ISO 5395-1:2013, EN ISO 5395-1:2013/A1, EN ISO 5395-2:2013, EN ISO 5395-2:2013/A1:2016, EN ISO 5395-2:2013/A2:2017, EN ISO 14982:2009

Sauf mention contraire, les normes listées ci-dessus sont les dernières versions publiées.

Organisme notifié (LC 151, LC 151S, LB 256SP) : **0036, TÜV SÜD Industrie Service GmbH, Westendstrasse 199, 80686 München, Germany** a effectué une évaluation de conformité conformément à l'annexe VI de la directive 2000/14/CE.

Organisme notifié (LB 251S) : **0404, RISE SMP Svensk Maskinprovning AB, Box 7035, SE-750 07 Uppsala, Sweden** a effectué une évaluation de conformité conformément à l'annexe VI de la directive 2000/14/CE.

Huskvarna, 2020-10-20



Claes Losdal, Directeur du développement/Articles de jardinage (Représentant autorisé d'Husqvarna AB et responsable de la documentation technique)

Sadržaj

Uvod.....	157	Rješavanje problema na motoru.....	166
Sigurnost.....	158	Prijevoz, spremanje i zbrinjavanje.....	167
Sastavljanje.....	160	Tehnički podaci.....	168
Rad.....	161	Izjava o sukladnosti EC.....	170
Održavanje.....	163		

Uvod

Opis proizvoda

Ovaj je proizvod rotacijska kosilica za travu kojom upravljate pješak. Na LC 151, LC 151S pričvrstite sakupljač trave kako biste sakupljali travu. Za bočno pražnjenje trave pričvrstite bočni usmjerivač za pražnjenje. Na LC 151, LC 151S postavite komplet za sječku kako biste travu rezali u gnojivo.

Pregled proizvoda

(Sl. 1)

1. Ručka
2. Kočna poluga motora
3. Poluga pogona (LC 151S, LB 256SP)
4. Poluga za vožnju (LB 251S)
5. Stražnji poklopac (LC 151, LC 151S)
6. Sakupljač trave (LC 151, LC 151S)
7. Kotačići za visinu ručke
8. Poluga za visinu rezanja
9. Čep za ulje s mjernom šipkom
10. Poklopac za bočno pražnjenje
11. Prigušivač
12. Svječića
13. Rasplinjač
14. Čep spremnika za gorivo
15. Znakovi
16. Pokrov noža
17. Filtar zraka
18. Bočni usmjerivač
19. Komplet za sječku (dodatna oprema za LC 151, LC 151S)
20. Ručica uzeta pokretača
21. Korisnički priručnik

Simboli na proizvodu

- (Sl. 2) **UPOZORENJE!** Budite oprezni i pravilno upotrebljavajte ovaj proizvod. Ovaj proizvod može izazvati teške ozljede ili smrt rukovatelja ili drugih osoba.
- (Sl. 3) Pažljivo pročitajte korisnički priručnik i prije korištenja dobro usvojite sadržaj.

Namjena

Proizvod upotrebljavajte za rezanje trave. Proizvod nemojte upotrebljavati za druge zadatke.

- (Sl. 4) Pazite na izbačene predmete i odbijanja.
- (Sl. 5) Osobe i životinje držite na sigurnoj udaljenosti od radnog područja.
- (Sl. 6) Upozorenje: Ruke i stopala držite podalje od rotirajućeg noža.
- (Sl. 7) Upozorenje: Šake i stopala držite podalje od rotirajućih dijelova.
- (Sl. 8) Prije popravaka ili održavanja zaustavite motor i uklonite kabel za paljenje.
- (Sl. 9) Ovaj proizvod u suglasnosti je s važećim direktivama EZ.
- (Sl. 10) Stvaranje buke u okolišu u skladu s EZ direktivom. Emisije proizvoda navedene su u poglavlju s tehničkim podacima i na naljepnici.
- (Sl. 11) Opasnost od požara.
- (Sl. 12) Nemojte udisati ispušne pare. Ispušni plinovi iz motora sadrže ugljikov monoksid, vrlo opasan otrovni plin bez mirisa. Proizvod nemojte pokretati u zatvorenom ili uskom prostoru.
- (Sl. 13) Vruća površina.
- (Sl. 14) Prije pokretanja proizvoda motor napunite uljem.

Napomena: Drugi simboli/naljepnice na proizvodu odnose se na zahtjeve za certifikaciju za neka tržišna područja.

Pouzdanost proizvoda

Sukladno zakonima o pouzdanosti proizvoda nismo odgovorni za oštećenja uzrokovana našim proizvodima ako je:

- proizvod nepravilno popravljen
- proizvod popravljen dijelovima koje nije proizveo proizvođač ili nemaju odobrenje proizvođača

- proizvod ima dodatnu opremu koje nije proizveo proizvođač ili nemaju odobrenje proizvođača
- proizvod nije popravljen u odobrenom servisnom centru ili kod ovlaštene osobe.

Standard za emisije Euro V.



UPOZORENJE: Petljanjem po motoru gubite pravo na odobrenje EU-a ovog proizvoda.

Sigurnost

Sigurnosne definicije

Uvjetima, oprezima i napomenama naglašavaju se posebno važni dijelovi priručnika.



UPOZORENJE: Koristi se kada nepoštivanje uputa iz priručnika može uzrokovati smrt ili ozljede rukovatelja ili promatrača.



OPREZ: Koristi se kada nepoštivanje uputa iz priručnika može uzrokovati oštećenje proizvoda ili drugih materijala u neposrednoj blizini.

Napomena: Koristi se prikaz neophodnih dodatnih informacija za zadanu situaciju.

Opće sigurnosne upute



UPOZORENJE: Prije korištenja proizvoda pročitajte upozoravajuće upute u nastavku.

- Proizvod je opasan ako ga koristite nepravilno ili ako niste oprezni. Nepoštivanje sigurnosnih uputa može uzrokovati ozljede ili smrt.
- Proizvod tijekom rada proizvodi elektromagnetsko polje. To polje u određenim okolnostima može ometati aktivne ili pasivne medicinske implantate. Za smanjenje opasnosti od smrtonosne ozljede osobama s medicinskim implantatima prije korištenja uređaja preporučujemo obraćanje liječniku i proizvođaču medicinskog implantata.
- Uvijek budite pažljivi i razumni. Ako u posebnim situacijama niste sigurni u način upotrebe stroja, prije nastavka stanite i obratite se svom distributeru tvrtke Husqvarna.
- Imajte na umu kako se rukovatelj smatra odgovornim za nezgode koje uključuju druge osobe ili njihovo vlasništvo.
- Proizvod održavajte čistim. Znakovi i naljepnice moraju biti jasno čitljivi.

- Osobama dopustite upotrebu proizvoda samo ako su pročitali i usvojili sadržaj uputa za rukovanje.
- Djeci nemojte dopustiti korištenje proizvoda.
- Djecu držite podalje od područja rada. Cijelo vrijeme mora biti prisutna odgovorna odrasla osoba.
- Osobama koje nisu upoznate s uputama nemojte dopustiti korištenje proizvoda.
- Osobu smanjenih fizičkih ili mentalnih sposobnosti obavezno nadzirite tijekom uporabe proizvoda. Cijelo vrijeme mora biti prisutna odgovorna odrasla osoba.
- Proizvod nemojte koristiti kada ste umorni, bolesni ili pod utjecajem alkohola, droge ili lijekova. To negativno utječe na vaš vid, pažnju, koordinaciju i prosudbu.
- Nemojte upotrebljavati neispravn proizvod.
- Nemojte izmjenjivati proizvod ili ga upotrebljavati ako postoji mogućnost da je izmijenjen.
- Nemojte mijenjati prilagodbe za kontrolu brzine motora.

Sigurnost na radnom mjestu



UPOZORENJE: Prije korištenja proizvoda pročitajte upozoravajuće upute u nastavku.

- Prije upotrebe proizvoda iz radnog područja uklonite sve predmete poput grana, prutova i kamenja.
- Objekti koji udare u reznu opremu mogu biti izbačeni te uzrokovati ozljede ili oštećenja. Promatrače i životinje držite na sigurnoj udaljenosti od proizvoda.
- Proizvod nikada nemojte upotrebljavati u lošim vremenskim uvjetima kao što su magla, kiša, jak vjetar, intenzivna hladnoća i pri opasnosti od gmljavinskog nevremena. Upotreba proizvoda po lošem vremenu ili na vlažnim ili mokrim lokacijama je zamorna. Pri lošem vremenu mogu nastati opasni uvjeti, primjerice skliske površine.
- Pazite na osobe, predmete i situacije koje mogu onemogućiti siguran rad proizvoda.
- Pazite na prepreke poput korijenja, kamenja, prutova, jama i jaraka. Visoka trava može sakrivati prepreke.

- Košenje trave na nagibima može biti opasno. Proizvod nemojte upotrebljavati na tlu s nagibom većim od 15°.
- Proizvod upotrebljavajte poprečno preko nagiba. Nemojte se kretati prema gore i dolje.
- Oprezno prilazite skrivenim kutovima i predmetima koji onemogućavaju jasan pregled.

Sigurnost pri radu



UPOZORENJE: Prije korištenja proizvoda pročitajte upozoravajuće upute u nastavku.

- Proizvod upotrebljavajte samo za košenje travnjaka. Upotreba za druge zadatke nije dopuštena.
- Upotrebljavajte osobnu zaštitnu opremu. Pogledajte *Oprema za osobnu zaštitu na stranici 159*.
- Provjerite znate li brzo zaustaviti motor u slučaju nužde.
- Nikada nemojte pokretati motor u zatvorenom prostoru ili u blizini zapaljivog materijala. Ispušne pare motora vruće su i mogu sadržavati vruće iskre koje mogu uzrokovati požar.
- Proizvod upotrebljavajte samo ako su nož i svi štitnici pravilno postavljeni. Nepravilno postavljen nož može se otpustiti i uzrokovati osobne ozljede.
- Pazite da nožem ne udarate u predmete poput kamenja ili korijenja. Time možete oštetiti nož i saviti vratilo motora. Savijena osovina uzrokuje snažne vibracije i vrlo visoku opasnost od otpuštanja noža.
- Ako nožem udarite u predmet ili osjetite vibracije, odmah zaustavite proizvod. Odspojite kabel za paljenje od svjeće. Pregledajte je li proizvod oštećen. Popravite oštećenja ili popravak prepustite ovlaštenom serviseru.
- Ručicu kočnice motora nikada trajno nemojte pričvrstiti za ručku kada je motor u pogonu.
- Proizvod postavite na stabilnu, ravnu površinu i pokrenite ga. Noževi ne smiju udarati u tlo ili druge predmete.
- Tijekom rukovanja proizvodom obavezno budite iza njega.
- Tijekom rukovanja proizvodom svi kotači trebaju biti na tlu, a 2 ruke na ručki. Ruke i stopala držite podalje od rotirajućih noževa.
- Proizvod nemojte naginjati kada je motor pokrenut.
- Budite pažljivi pri povlačenju proizvoda unatrag.
- Proizvod nikada nemojte podizati kada je motor pokrenut. Ako proizvod morate podići, prvo zaustavite motor i odspojite kabel za paljenje od svjeće.
- Tijekom rada s proizvodom nemojte hodati unatrag.
- Zaustavite motor prilikom prelaska preko velikih površina bez trave, primjerice šljunčanih, kamenih i asfaltnih staza.
- Nemojte trčati s proizvodom kada je motor pokrenut. Obavezno hodajte tijekom rada s proizvodom.

- Prije promjene visine rezanja zaustavite motor. Nemojte provoditi prilagodbe s pokrenutim motorom.
- Proizvod s pokrenutim motorom ne ispuštajte iz vida. Zaustavite motor i provjerite je li rezna oprema zaustavljena.

Sigurnosne upute za rad

Oprema za osobnu zaštitu



UPOZORENJE: Prije uporabe proizvoda pročitajte upozoravajuće upute u nastavku.

- Oprema za osobnu zaštitu ne može u potpunosti spriječiti ozljede, no smanjuje stupanj ozljede u slučaju nezgode. Pri odabiru odgovarajuće opreme zatražite pomoć ovlaštenog trgovca.
- Upotrebljavajte zaštitu sluha ako je razina buka veća od 85 dB.
- Nosite čizme otporne na klizanje ili cipele za teške uvjete rada. Nemojte nositi otvorene cipele ili biti bos.
- Nosite teške, duge hlače.
- Prema potrebi nosite zaštitne rukavice, primjerice prilikom pričvršćivanja, pregleda ili čišćenja rezne opreme.

Sigurnosne upute za proizvod



UPOZORENJE: Prije korištenja proizvoda pročitajte upozoravajuće upute u nastavku.

- Nemojte koristiti proizvod s oštećenim zaštitnim uređajima.
- Redovito pregledavajte sigurnosne uređaje. Ako su sigurnosni uređaji neispravni, obratite se Husqvarna ovlaštenom trgovcu.

Provjera reznog poklopca

Rezni poklopac smanjuje vibriranje proizvoda te opasnost od ozljede nožem.

- Provjerite ima li na pokrovu noža oštećenja, primjerice napuklina.

Provjera ručke kočnice motora

Kočnom polugom motora zaustavljate motor. Motor se zaustavlja po otpuštanju kočne poluge motora.

- Pokrenite motor i potom otpustite ručku kočnice motora. Ako se motor ne zaustavi za 3 sekunde, podesite kočnicu motora kod serviseru tvrtke Husqvarna. (Sl. 15)

Provjera stražnjeg poklopca

Stražnji usmjernič smanjuje opasnost od odbacivanja predmeta u smjeru rukovatelja.

- Provjerite je li stražnji poklopac neoštećen.
- Provjerite jesu li opruge koje zatvaraju stražnji poklopac neoštećene.
- Zamijenite oštećene opruge i oštećene dijelove.
- Provjerite pomiče li se stražnji poklopac neometano na šarkama.

Prigušivač

Prigušivač razinu buke održava na minimumu i ispušne plinove usmjerava dalje od rukovatelja.

Nemojte upotrebljavati proizvod bez prigušivača ili s oštećenim prigušivačem. Neispravni prigušivač povećava razinu buke i opasnost od požara.



UPOZORENJE: Prigušivač se tijekom rada, nakon rada te kada motor pogonite u praznom hodu jako zagrije. Budite oprezni u blizini zapaljivih materijal i/ili para kako biste spriječili požar.

Provjera prigušivača

- Redovito provjeravajte je li prigušivač pravilno pričvršćen i neoštećen.

Sigurnost pri rukovanju s gorivom



UPOZORENJE: Prije korištenja proizvoda pročitajte upozoravajuće upute u nastavku.

- Nemojte pokretati proizvod ako u njemu ima goriva ili motornog ulja. Uklonite neželjeno gorivo/ulje i pričekajte na sušenje proizvoda.
- Ako gorivo prolijete po odjeći, odmah ju zamijenite.
- Gorivu nemojte dopustiti kontakt s tijelom jer može uzrokovati ozljede. Ako dođe do kontakta goriva s tijelom, sapunom i vodom isperite gorivo.
- Nemojte pokretati proizvod ako motor propušta. Redovito pregledavajte ima li na motoru propuštanja.
- Budite pažljivo s gorivom. Gorivo je zapaljivo, a pare su eksplozivne i mogu uzrokovati ozljede i smrt.
- Nemojte udisati pare goriva, one mogu uzrokovati ozljede. Osigurajte dovoljan protok zraka.
- U blizini goriva ili motora nemojte pušiti.
- U blizini goriva ili motora nemojte stavljati vruće predmete.

- Nemojte ulijevati gorivo kada je motor uključen.
- Prije ulijevanja goriva provjerite je li motor hladan.
- Prije ulijevanja goriva polako otvorite čep spremnika goriva i pažljivo ispustite tlak.
- Nemojte ulijevati gorivo u motor u zatvorenom prostoru. Nedovoljan protok zraka može uzrokovati ozljede ili smrt zbog gušenja ili trovanja ugljičnim monoksidom.
- Potpuno zategnite čep spremnika za gorivo. Ako čep spremnika za gorivo nije zategnut, postoji opasnost od požara.
- Prije pokretanja proizvod odmaknite najmanje 3 m / 10' od mjesta punjenja spremnika.
- Spremnik za gorivo nemojte puniti do kraja. Zagrijavanje uzrokuje širenje goriva. Ostavite mjesta pri vrhu spremnika za gorivo.

Sigurnosne upute za održavanje



UPOZORENJE: Prije korištenja proizvoda pročitajte upozoravajuće upute u nastavku.

- Ispušni plinovi iz motora sadrže ugljikov monoksid, vrlo opasan otrovni plin bez mirisa. Proizvod nemojte pokretati u zatvorenom ili uskom prostoru.
- Prije održavanja proizvoda zaustavite motor i odspojite kabel za paljenje od svjeće.
- Tijekom održavanja rezne opreme nosite zaštitne rukavice. Nož je vrlo oštar i lako dolazi do posjekotina.
- Dodatna oprema i izmjene proizvoda bez odobrenja proizvođača mogu uzrokovati ozbiljne ozljede ili smrt. Nemojte mijenjati proizvod. Obavezno upotrebljavajte dijelove s odobrenjem proizvođača.
- Ako se održavanje ne provodi ispravno i redovno, povećava se opasnost od ozljede i oštećenja proizvoda.
- Održavanje provodite isključivo prema uputama iz ovog priručnika za vlasnika. Sva druga servisiranje mora provoditi ovlašteni serviser tvrtke Husqvarna.
- Redovno servisirajte proizvod kod ovlaštenog servisera tvrtke Husqvarna.
- Zamijenite oštećene, istrošene ili polomljene dijelove.

Sastavljanje

Uvod



UPOZORENJE: Prije sastavljanja proizvoda morate pročitati i usvojiti poglavlje o sigurnosti.



UPOZORENJE: Prije sastavljanja proizvoda sa svjeće uklonite kabel svjeće.

Sastavljanje ručke

1. Pritisnite vijak (A) kroz ručicu (B), plastičnu podlošku (C) i potporni nosač ručice (D). (Sl. 16)

2. Maticu (E) zategnite do kraja.
3. Pritisnite vijak (F) kroz podlošku (G) i potporni nosač ručice. (Sl. 17)
4. Zategnite kotačić (H) do kraja.

Prilagodba ručke

1. Otpustite donje vijke.
2. Pomaknite kotačiće u donji dio utora na lijevoj i desnoj strani proizvoda. (Sl. 18)
3. Postavite visinu ručke u jednu od dva dostupna položaja.
4. Pomičite kotačiće gore u smjeru ručke dok se ne zaustave uz škljocaj. (Sl. 19)
5. Kotačiće zategnite do kraja.

Postavljanje kosilice u položaj za prijevoz

1. Otpustite donje vijke.

2. Pomaknite kotačiće u donji dio utora na lijevoj i desnoj strani proizvoda. (Sl. 18)
3. Preklopite ručku prema naprijed. (Sl. 20)

Postavljanje proizvoda u položaj za rad

1. Preklopite ručku u uspravan položaj. (Sl. 21)
2. Pomičite kotačiće gore u smjeru ručke dok se ne zaustave uz škljocaj. (Sl. 19)
3. Kotačiće zategnite do kraja.

Montaža sakupljača trave (LC 151, LC 151S)

1. Okvir sakupljača trave pričvrstite za vreću za travu tako da kruti dio vreće bude na dnu. Držite dršku okvira izvan vrha vreće. (Sl. 22)
2. Kopčama pričvrstite vreću za travu na okvir. (Sl. 23)

Rad

Uvod



UPOZORENJE: Prije rada s proizvodom morate pročitati i usvojiti poglavlje o sigurnosti.

Husqvarna Connect

Husqvarna Connect besplatna je aplikacija za mobilni uređaj. Aplikacija Husqvarna Connect pruža vam dodatne funkcije za proizvod Husqvarna.

- Opširnije informacije o proizvodu.
- Dodatne informacije i pomoć za dijelove i servisiranje proizvoda.

Početak rada sa Husqvarna Connect

1. Preuzmite aplikaciju Husqvarna Connect na svoj mobilni uređaj.
2. Prijavite se na aplikaciju Husqvarna Connect.
3. Pratite upute u aplikaciji Husqvarna Connect kako biste se spojili i registrirali proizvod.

Prije rada s proizvodom

1. Pažljivo pročitajte korisnički priručnik i prije upotrebe dobro usvojite sadržaj.
2. Pregledajte reznu opremu i uvjerite se da je pravilno pričvršćena i podešena. Pogledajte *Za pregled rezne opreme na stranici 164*.
3. Napunite spremnik goriva. Pogledajte *Ulijevanje goriva na stranici 161*.
4. Napunite spremnik za ulje i provjerite razinu ulja. Pogledajte *Provjera razine ulja na stranici 164*.

Ulijevanje goriva

Ako je dostupno, upotrebljavajte benzin s niskim emisijama/alkilatni benzin. Ako benzin s niskim emisijama / alkilatni benzin nije dostupan, upotrijebite kvalitetno bezolovno gorivo ili olovno gorivo s oktanskim brojem koji je niži od 90.



OPREZ: Nemojte koristiti benzin s oktanskim brojem manjim od 90 RON (87 AKI). Tako možete oštetiti proizvod.

1. Čep spremnika goriva otvarajte polako kako biste otpustili tlak.
2. Punite polako pomoću kantice za gorivo. Ako prolijete gorivo, obrišite ga krpom i pričekajte na sušenje preostalog goriva. (Sl. 24)
3. Očistite područje oko čepa spremnika za gorivo.
4. Potpuno zategnite čep spremnika goriva. Ako čep spremnika goriva nije zategnut, postoji opasnost od požara.
5. Prije pokretanja proizvod odmaknite najmanje 3 m (10') od mjesta punjenja spremnika.

Za postavljanje visine rezanja

1. Polugu za visinu rezanja pomaknite unatrag kako biste povećali visinu rezanja.
2. Polugu za visinu rezanja pomaknite naprijed kako biste smanjili visinu rezanja. (Sl. 25)



OPREZ: Visinu rezanja nemojte postaviti prenisko. Noževi mogu udariti u tlo ako površina travnjaka nije ravna.

Pokretanje proizvoda

1. Provjerite je li kabel za paljenje priključen na svjećicu.
2. Stanite iza proizvoda.
3. Pritisnite kočnu polugu motora uz upravljač. (Sl. 26)
4. Ručicu užeta pokretača držite desnom rukom.
5. Polako izvlačite uže pokretača dok ne osjetite otpor.
6. Snažno povucite za pokretanje motora.



UPOZORENJE: Nikad ne omotavajte uže za paljenje oko šake.

Upotreba pogona na kotačima LC 151S & LB 256SP

- Gurnite polugu pogona u smjeru upravljača. (Sl. 27)
- Otpustite polugu pogona kako biste odspojili pogon, primjerice kada se približavate prepreci.
- Prije povlačenja proizvoda unatrag odspojite pogon i gurnite proizvod prema naprijed za pribl. 10 cm.

Upotreba pogona na kotačima (LB 251S)

- Povucite polugu za vožnju u smjeru upravljača. (Sl. 28)
- Polugu za vožnju pritisnite od upravljača kako biste odspojili pogon, primjerice kada se približite prepreci.

Napomena: Poluga za vožnju automatski se odspaja kada otpustite ručicu kočnice motora.

- Prije vuče proizvoda unatrag polugu za vožnju pritisnite od upravljača i gurnite proizvod približno 10 cm prema naprijed kako biste potpuno odspojili pogon.

Zaustavljanje proizvoda

- Kako biste samo zaustavili pogon otpustite polugu pogona (LC 151S, LB 256SP) ili ručicu za vožnju (LB 251S).
- Za zaustavljanje motora otpustite kočnu polugu motora.

Upotreba proizvoda sa sakupljačem trave (LC 151, LC 151S)



UPOZORENJE: Proizvod nemojte upotrebljavati bez ugrađenog sakupljača trave ni s otvorenim stražnjim poklopcem. Može doći do odbacivanja predmeta i ozljede rukovatelja.

1. Podignite stražnji poklopac i skinite priključak za sječku, ako je ugrađen. (Sl. 29)

2. Za sastavljanje sakupljača trave vidi *Montaža sakupljača trave (LC 151, LC 151S) na stranici 161.*
3. Postavite sakupljač trave na nosač.
4. Otpustite stražnji poklopac i naslonite ga na vrh okvira vreće za travu. (Sl. 30)

Prijelaz proizvoda u način rada za usitnjavanje (LC 151, LC 151S)

Prije postavljanja proizvoda u način rada za usitnjavanje obavezno isključite motor.

1. Podignite stražnji poklopac i uklonite sakupljač trave, ako je ugrađen.
2. Priključak za sječku umetnite u kanal za izbacivanje. (Sl. 31)
3. Zatvorite stražnji poklopac i provjerite je li dobro zatvoren uz priključak za sječku.
4. Zamijenite nož s nožem za sječku iz kompleta za sječku. Pogledajte *Zamjena noža na stranici 164.*

Prijelaz proizvoda u način rada za bočno pražnjenje

1. Podignite stražnji poklopac i uklonite vreću za travu, ako je postavljena.
2. Zatvorite stražnji poklopac i provjerite je li dobro zatvoren uz proizvod.
3. Podignite blokadu pražnjenja. (Sl. 32)
4. Otvorite poklopac za bočno pražnjenje i postavite bočni usmjerivač za pražnjenje na noseće klinove. (Sl. 33)
5. Dopustite da se poklopac za bočno pražnjenje zatvori uz bočni usmjerivač za pražnjenje. Prije rada s proizvodom provjerite je li bočni usmjerivač za pražnjenje pričvršćen u svom položaju.

Pražnjenje sakupljača trave



OPREZ: Podignite sakupljač trave kad ga pomičete kako biste spriječili habanje.

1. Podignite sakupljač trave pomoću ručke na okviru.
2. Koristite ručku na okviru i ručku na vreći kad praznite sakupljač trave. (Sl. 34)

Za dobar ishod

- Uvijek upotrebljavajte oštar nož. Tup nož daje nepravilne rezultate, a rezana površina trave požuti. Oštar nož također troši manje energije od tupog.
- Nemojte rezati više od 1/4 od duljine trave. Travu započnite kositi s najvišom visinom rezanja. Provjerite rezultat i spustite visinu rezanja na prihvatljivu razinu. Ako je trava vrlo dugačka, radite polako i po potrebi kosite dva puta.
- Svaki put kosite u drugom smjeru kako biste spriječili nastanak traka na travnjaku.

- Podignite stražnji poklopac i uklonite sakupljač trave.
- Ako su postavljeni priključak za sječku i nož za sječku, uklonite ih.
- Prije upotrebe proizvoda zatvorite stražnji poklopac. Pri upotrebi proizvoda trava se izbacuje ispod stražnjeg poklopca.

Održavanje

Uvod



UPOZORENJE: Prije održavanja morate pročitati i usvojiti poglavlje o sigurnosti.

Za sve radove servisiranja i održavanja na proizvodu potrebna je posebna obuka. Jamčimo dostupnost profesionalnih popravaka i servisa. Ako vaš distributer nije serviser, od njega zatražite informacije o najbližem serviseru.

Raspored održavanja



OPREZ: Pri naginjanju proizvoda filter zraka nemojte nasloniti na tlo nego ga podignite u zrak. Opasnost od oštećenja motora.

Intervali održavanja izračunati su za dnevnu upotrebu proizvoda. Intervali se mijenjaju ako se proizvod ne upotrebljava svakodnevno.

Za održavanja označena s * pogledajte upute u *Sigurnosne upute za proizvod na stranici 159.*

Održavanje	Dnevno	Mjesečno	Svake sezone
Provedite opći pregled	X		
Provjerite razinu ulja	X		
Zamijenite ulje (prvi put nakon 5 h upotrebe, potom nakon svakih 50 h upotrebe) ⁷¹			X
Očistite proizvod	X		
Pregledajte reznu opremu	X		
Pregledajte pokrov noža *	X		
Pregledajte ručku kočnice motora *	X		
Pregledajte prigušivač *		X	
Pregledajte svjećicu. Ako je potrebno, očistite ili zamijenite svjećicu			X
Pregledajte filter zraka	X		
Očistite filter zraka ⁷²		X	
Zamijenite filter zraka			X
Pregledajte sustav goriva			X
Očistite rashladna rebra na cilindru		X	
Pregledajte i podesite sajlu spojke (LC 151S, LB 251S, LB 256SP)			X
Očistite ispod poklopca mjenjača (LB 251S)			X

Za opći pregled

- Provjerite jesu li sve matice i vijci na proizvodu pravilno pritegnuti.

Za vanjsko čišćenje proizvoda

- Četkom uklonite lišće, travu i onečišćenja.
- Provjerite prohodnost dovoda zraka na vrhu motora.

⁷¹ Ako se proizvod pogoni pod velikim opterećenjem ili pri visokim temperaturama okoline, motorno ulje zamijenite svakih 25 sati.

⁷² Čistite češće ako ste u prašnjavim uvjetima ili se u zraku nalaze ostaci. Ako je filter zraka vrlo prljav, zamijenite ga.

- Za čišćenje proizvoda nemojte koristiti visokotlačni stroj za pranje.
- Ako proizvod čistite vodom, nemojte izlijevati vodu izravno na motor.

zamijenite oštećeni nož. Procijenu za oštrenje ili zamjenu noža prepustite servisnom centru.

Zamjena noža

1. Blokirate nož drvenim blokom. (Sl. 36)
2. Uklonite vijak noža.
3. Uklonite nož.
4. Provjerite jesu li nosač noža i vijak noža neoštećeni.
5. Pregledajte vratilo motora kako biste se uvjerali da je neoštećeno.
6. Zaobljene rubove novog noža pri postavljanju usmjerite prema pokrovu noža. (Sl. 37)
7. Nož mora biti poravnat sa središtem vratila motora.
8. Blokirate nož drvenim blokom. Postavite elastični rasječeni prsten i zategnite vijak i podlošku na zatezni moment od 43 – 47 Nm. (Sl. 38)
9. Ručno povucite nož u krug kako biste provjerili okreće li se slobodno.

Za čišćenje unutarnje površine pokrova noža

1. Ispraznite spremnik za gorivo.
2. Nagnite proizvod. Svječica mora biti usmjerena prema gore.



OPREZ: Ako proizvod položite tako da je filter zraka na donjoj strani, možete oštetiti motor.

3. Unutarnju površinu pokrova noža isperite vodom.

Čišćenje ispod poklopca mjenjača (LB 251S)

1. Ispraznite spremnik za gorivo.
2. Nagnite proizvod. Svječica mora biti usmjerena prema gore.



OPREZ: Ako proizvod položite tako da je filter zraka na donjoj strani, možete oštetiti motor.

3. Izvadite 7 vijka. (Sl. 35)
4. Skinite poklopac prijenosa.
5. Površinu očistite četkom.



OPREZ: Voda ili onečišćenje ispod poklopca mjenjača može uzrokovati oštećenje mjenjača.

6. Ugradite poklopac mjenjača i zategnite sedam vijaka.



UPOZORENJE: Nosite rukavice za teške uvjete rada. Nož je vrlo oštar i lako dolazi do posjekotina.

10. Pokrenite proizvod kako biste ispitali nož. Ako nož nije ispravno pričvršćen, proizvod vibrira ili ishod košenja nije zadovoljavajući.

Provjera razine ulja



OPREZ: Preniska razina ulja može uzrokovati oštećenje motora. Prije pokretanja proizvoda provjerite razinu ulja.

1. Postavite proizvod na ravno tlo.
2. Skinite čep spremnika za ulje s pričvršćenom šipkom za mjerenje ulja.
3. Očistite ulje sa šipke za mjerenje razine ulja.
4. Šipku za mjerenje ulja u potpunosti umetnite u spremnik za ulje kako biste dobili ispravan prikaz razine ulja.
5. Uklonite mjernu šipku.
6. Provjerite razinu ulja na šipci za mjerenje ulja.
7. Ako je razina ulja niska, napunite motornim uljem i ponovno provjerite razinu ulja.

Za pregled rezne opreme



UPOZORENJE: Odvojite kabel za paljenje od svječice kako biste spriječili slučajno pokretanje.



UPOZORENJE: Tijekom održavanja rezne opreme nosite zaštitne rukavice. Nož je vrlo oštar i lako dolazi do posjekotina.

1. Pregledajte ima li na reznoj opremi oštećenja ili pukotina. Oštećenu reznu opremu obavezno zamijenite.
2. Pregledajte nož kako biste ustanovili je li oštećen ili tup.

Zamjena motornog ulja



UPOZORENJE: Motorno ulje vrlo je vruće neposredno nakon zaustavljanja motora. Prije ispuštanja motornog ulja pričekajte da se ohladi. Ako motorno ulje proljetete po koži, očistite ju sapunom i vodom.

(Sl. 39)

Napomena: Nakon oštrenja nož je nužno uravnotežiti. Nož naoštrite, zamijenite i uravnotežite u servisnom centru. Ako se pri udaru u prepreku proizvod zaustavi,

1. Proizvod upotrebljavajte dok ne ispraznite spremnik za gorivo.
2. Odvojite kabel za paljenje od svjeće.
3. Uklonite čep spremnika za ulje.
4. Ispod proizvoda stavite posudu za skupljanje motornog ulja.
5. Nagnite proizvod kako biste ispustili motorno ulje iz spremnika za ulje.
6. Napunite novim motornim uljem preporučenim u *Tehnički podaci na stranici 168*.
7. Provjerite razinu ulja. Pogledajte *Provjera razine ulja na stranici 164*.

Pregled svjeće



OPREZ: Uvijek koristite preporučenu vrstu svjeće. Neodgovarajuća vrsta svjeće može oštetiti proizvod.

- Ako motor nema snage, teško se pokreće ili ne radi ispravno u praznom hodu, pregledajte svjećicu.
- Za smanjenje opasnosti od nepoželjnog materijala na elektrodama svjeće pratite sljedeće upute:
 - a) Provjerite je li broj okretaja pri praznom hodu pravilno podešen.
 - b) Provjerite ispravnost mješavine goriva.
 - c) Provjerite je li filter zraka čist.
- Ako je svjećica prljava, očistite je i provjerite ispravnost zazora elektroda, pogledajte *Tehnički podaci na stranici 168*. (Sl. 40)
- Ako je potrebno, zamijenite svjećicu.

Filter zraka

Onečišćen filter zraka može uzrokovati oštećenje ili neispravan rad motora. Filter zraka održavajte češće u prašnjavim uvjetima. Informacije o zamjeni filtera zraka potražite u *Održavanje na stranici 163*.

Napomena: Oštećeni filter zraka obavezno zamijenite.

Uklanjanje i ugradnja filtera zraka



UPOZORENJE: Upotrebljavajte zaštitne rukavice.

1. Otpustite kopče na poklopcu filtera zraka.
2. S motora pažljivo uklonite poklopac filtera zraka (A).
3. Uklonite filter zraka (B). (Sl. 41)
4. Provjerite je filter zraka neoštećen. Oštećeni filter zraka zamijenite.
5. Očistite i pregledajte filter zraka. Pogledajte *Čišćenje filtera zraka na stranici 165*.
6. Ugradite obrnutim redoslijedom.

Čišćenje filtera zraka

Onečišćen filter zraka može uzrokovati oštećenje ili neispravan rad motora. Pročištač zraka održavajte češće u prašnjavim uvjetima.

Informacije o zamjeni filtera zraka potražite u *Održavanje na stranici 163*.

1. Skinite poklopac filtera zraka i izvadite filter.
2. Očistite filter lupanjem po ravnoj površini. Filter zraka nemojte čistiti petrolejom, kerozinom ni stlačenim zrakom.

Napomena: Dugo korištene filtre zraka nije moguće potpuno očistiti. Filter zraka mijenjajte u redovnim intervalima. Oštećeni filter zraka obavezno morate zamijeniti.

3. Pri sastavljanju filtera zraka provjerite brtvi li dobro uz držač filtera.

Provjera bočnog usmjerivača za pražnjenje

Bočni usmjerivač za pražnjenje pričvršćen je na bočni otvor za pražnjenje na proizvodu. Smanjuje opasnost od izbacivanja predmeta u smjeru položaja u kojem rukovatelj kosi.

1. Provjerite je li bočni usmjerivač za pražnjenje neoštećen.
2. Pregledajte bočni usmjerivač za pražnjenje. Uvjerite se da nema oštećenja, npr. pukotine ili slomljene opruge koje zatvaraju vrata.
3. Zamijenite oštećeni bočni usmjerivač za pražnjenje ili opruge.

Pregled sustav goriva

- Pregledajte čep spremnika za gorivo i brtvu čepa spremnika za gorivo i uvjerite se kako su neoštećeni.
- Pregledajte crijevo goriva kako biste se uvjerali da nema propuštanja. Ako je crijevo goriva oštećeno, zamijenite ga kod servisera.

Podešavanje sajle spojke (LC 151S, LB 251S, LB 256SP)

U sljedećim situacijama nužno je smanjiti duljinu sajle spojke:

- Pogon kotača ne uključuje se kada povučete polugu pogona ili ručicu za regulaciju brzine.
- Proizvod se po uključanju pogona kotača kreće sporo.

U sljedećim situacijama nužno je povećati duljinu sajle spojke:

- Proizvod se kreće kada pogon kotača nije uključen.
- Podesite sajlu spojke.

- a) Za smanjenje duljine sajle spojke vijak za podešavanje okrećite u smjeru suprotnom od kazaljke na satu.
- b) Za povećanje duljine sajle spojke vijak za podešavanje okrećite u smjeru kazaljke na satu. (Sl. 42)

Ako nakon podešavanja i dalje niste zadovoljni pogonom proizvoda, obratite se servisnom distributeru

Rješavanje problema na motoru

Problem	Mogući uzrok	Rješenje
Motor se ne pokreće.	Kabel za paljenje nije pravilno spojen.	Priključite kabel za paljenje na svjećicu.
	Prazan je spremnik za gorivo.	Napunite spremnik za gorivo pravilnom vrstom goriva.
	Gorivo je staro.	Ispraznite spremnik za gorivo i rasplinjač. Napunite ga novim gorivom.
	Prljavština u rasplinjaču ili dovodu goriva.	Očistite rasplinjač i/ili dovod goriva.
	Svjećica nije ispravna.	Prilagodite razmak elektroda, očistite ili zamijenite svjećicu.
	Na svjećici ima goriva.	Očistite svjećicu.
Motor se ne zaustavlja.	Mehanizam za zaustavljanje nije ispravan.	Odspojite kabel za paljenje od svjećice. Popravak proizvoda prepustite odobrenom serviseru.
Motor ne radi neometano.	Kabel za paljenje nije pravilno spojen.	Priključite kabel za paljenje na svjećicu.
	Ima prljavštine u dovodu goriva ili je gorivo istekao rok.	Očistite vod za gorivo. Napunite spremnik za gorivo novim gorivom odgovarajuće vrste.
	Blokiran je čep spremnika za gorivo.	Očistite čep spremnika za gorivo.
	Ima vode ili prljavštine u sustavu goriva.	Ispraznite spremnik za gorivo. Napunite spremnik za gorivo novim gorivom odgovarajuće vrste.
	Filtar zraka je prljav.	Očistite filtarski zrak.
	Rasplinjač se mora podesiti.	Podešavanje rasplinjača prepustite serviseru.
Motor se previše zagrijava.	Preniska je razina ulja u motoru.	Nadolijte motorno ulje.
	Nije dovoljan protok zraka.	Očistite filtarski zrak i kućište filtra zraka.
	Rasplinjač se mora podesiti.	Podešavanje rasplinjača prepustite serviseru.
Kada motor radi na visokoj brzini, dolazi do zatajenja motora.	Premalen je razmak između elektroda u svjećici.	Prilagodite razmak između elektroda.
Motor tijekom uobičajenog opterećenja proizvodi neobične zvukove.	Neispravna vrsta goriva.	Ispraznite spremnik za gorivo i rasplinjač. Napunite ga novim gorivom. Pogledajte <i>Ulijevanje goriva na stranici 161</i> . Ako se problem nastavi pojavljivati, obratite se lokalnom servisnom distributeru.

Problem	Mogući uzrok	Rješenje
Motor ne radi neometano u praznom hodu.	Svječića je prljava, neispravna ili je prevelik razmak između elektroda.	Prilagodite razmak elektroda ili zamijenite svječiću.
	Rasplinjač se mora podesiti.	Podesite rasplinjač.
	Filtar zraka je prljav.	Očistite filtari zraka.

Prijevoz, spremanje i zbrinjavanje

Prijevoz i skladištenje

- Za prijevoz i skladištenje proizvoda i goriva uvjerite se kako nema propuštanja ili isparavanja. Iskre ili otvoren plamen, primjerice od električnih uređaja ili bojlera, mogu uzrokovati požar.
- Za prijevoz i skladištenje goriva obavezno upotrebljavajte odobrene spremnike.
- Prije dugotrajnog skladištenja proizvoda ispraznite spremnik za gorivo. Zbrinite gorivo na prikladnoj lokaciji za zbrinjavanje
- Čvrsto osigurajte proizvod za prijevoz kako biste spriječili oštećenja i nezgode.
- Proizvod čuvajte u zaključanom prostoru kako biste onemogućili pristup djeci ili osobama bez odobrenja.
- Proizvod skladištite u suhom prostoru bez mraza.

Odlaganje

- Poštujte lokalne zahtjeve za reciklažu i važeće propise.
- Sve kemikalije, poput motornog ulja ili goriva, zbrinite u servisnom centru ili na prikladnoj lokaciji za zbrinjavanje.
- Ako proizvod više ne upotrebljavate, pošaljite ga distributeru tvrtke Husqvarna ili ga zbrinite na lokaciji za reciklažu.

Tehnički podaci

Tehnički podaci

	LC 151	LC 151S	LB 251S	LB 256SP
Motor				
Marka	Husqvarna	Husqvarna	Husqvarna	Husqvarna
Vrsta motora	Jednocilindrični, četverotaktni, prisilno atmosfersko hlađenje, OHV	Jednocilindrični, četverotaktni, prisilno atmosfersko hlađenje, OHV	Jednocilindrični, četverotaktni, prisilno atmosfersko hlađenje, OHV	Jednocilindrični, četverotaktni, prisilno atmosfersko hlađenje, OHV
Zapremnina, cm ³	166	166	166	166
Brzina, o/min	2800	2800	2800	2800
Nazivna izlazna snaga motora, kW ⁷³	2,7	2,7	2,7	2,7
Sustav paljenja				
Svjjećica	Husqvarna HQT-7	Husqvarna HQT-7	Husqvarna HQT-7	Husqvarna HQT-7
Zazor elektroda, mm	0,7 – 0,8	0,7 – 0,8	0,7 – 0,8	0,7 – 0,8
Sustav za gorivo i podmazivanje				
Vrsta podmazivanja motora	Raspršivanje	Raspršivanje	Raspršivanje	Raspršivanje
Zapremnina spremnika za gorivo, litre	1,0	1,0	1,0	1,0
Zapremnina spremnika ulja, litre	0,5	0,5	0,5	0,5
Motorno ulje ⁷⁴	Husqvarna SAE 30	Husqvarna SAE 30	Husqvarna SAE 30	Husqvarna SAE 30
Masa				
S praznim spremnicima, kg	31,1	32,6	32,0	33,1
Emisije buke⁷⁵				
Razina jačine zvuka, izmjerena, dB(A)	96	96	95	97
Razina jačine zvuka, zajamčena, L _{WA} dB (A)	98	98	96	98

⁷³ Navedena nazivna snaga motora prosječna je neto izlazna snaga (pri navedenom broju okretaja u minuti) tipičnog serijskog motora za određeni model mjerena prema normi SAE J1349/ISO1585. Vrijednost se može razlikovati za motore za masovnu proizvodnju. Stvarna izlazna snaga motora ugrađenog u krajnji proizvod ovisi o radnoj brzini, uvjetima u okolišu i drugim vrijednostima.

⁷⁴ Ako se ulje SAE-30 primjenjuje na temperaturama nižim od 5 °C, postoji opasnost od nedovoljnog podmazivanja motora. To može uzrokovati oštećenje motora. Odgovarajuće ulje za niske temperature potražite u *Zamjena motornog ulja na stranici 164*.

⁷⁵ Emisije buke u okoliš izmjerene kao jakost zvuka (L_{WA}) u skladu s EZ direktivom 2000/14/EZ.

	LC 151	LC 151S	LB 251S	LB 256SP
Razine buke⁷⁶				
Razina tlaka zvuka na uhu rukovatelja, dB(A)	86	86	82	86
Razine vibracije⁷⁷				
Vibracije na upravljaču, m/s ²	8,5	8,5	4,7	7,5
Oprema za rezanje				
Visina rezanja, mm	25 – 75	25 – 75	25 – 75	25 – 75
Širina rezanja, mm	510	510	510	560
Rezni sustav	Sakupljanje / Bio-Clip® / bočno pražnjenje	Sakupljanje / Bio-Clip® / bočno pražnjenje	BioClip® / bočno pražnjenje	BioClip® / bočno pražnjenje
Nož – standardni	Sakupljanje 598562601	Sakupljanje 598562601	Sječka 597683901	Sječka 598563601
Nož – dodatna oprema	Sječka 597683901	Sječka 597683901	–	–
Zapremnina sakupljača trave, litre	65	65	–	–
Pogon				
Brzina samostalnog hoda, km/h	–	3,6	4,0	3,6

⁷⁶ Navedeni podaci za razinu pritiska zvuka uključuju tipično statističko raspršenje (standardno odstupanje) od 1,2 dB (A).

⁷⁷ Podaci o razini vibracije pokazuju tipičnu statističku disperziju (standardnu devijaciju) od 0,2 m/s².

Izjava o sukladnosti EC

EZ izjava o sukladnosti

Husqvarna AB, SE-561 82 Huskvarna, Švedska, tel:
+46-36-146500, izjavljuje kako kosilice **Husqvarna LC
151, LC 151S, LB 251S, LB 256SP** iz godine 2020 i
novije udovoljavaju zahtjevima DIREKTIVE VIJEĆA:

- od 8. lipnja 2011. o "ograničenju uporabe određenih opasnih tvari" **2011/65/EU**
- od 17. svibnja 2006. „o strojevima“ **2006/42/EZ**
- od 26. veljače 2014. „o elektromagnetskoj kompatibilnosti“ **2014/30/EU**
- od 8. svibnja 2000. „o emisijama buke u okoliš“ **2000/14/EZ**

Informacije o emisiji buke potražite u tehničkim podacima.

Primijenjeni su sljedeći standardi:

EN ISO 5395-1:2013, EN ISO 5395-1:2013/A1, EN ISO 5395-2:2013, EN ISO 5395-2:2013/A1:2016, EN ISO 5395-2:2013/A2:2017, EN ISO 14982:2009

Osim ako nije navedeno drugačije, prethodno navedene norme zadnje su objavljene verzije.

Prijavljeno tijelo (LC 151, LC 151S, LB 256SP): **0036, TÜV SÜD Industrie Service GmbH, Westendstrasse 199, 80686 München, Germany** provelo je procjenu sukladnosti prema prilogu VI Direktive 2000/14/EC.

Prijavljeno tijelo (LB 251S): **0404, RISE SMP Svensk Maskinprovning AB, Box 7035, SE-750 07 Uppsala, Sweden** provelo je procjenu sukladnosti prema prilogu VI Direktive 2000/14/EC.

Huskvarna, 2020-10-20



Claes Losdal, razvojni menadžer/vrtni proizvođač
(ovlašteni predstavnik tvrtke Husqvarna AB i nositelj
odgovornosti za tehničku dokumentaciju)

TARTALOMJEGYZÉK

Bevezető.....	171	Motorral kapcsolatos hibaelhárítás.....	181
Biztonság.....	172	Szállítás, tárolás és ártalmatlanítás.....	182
Összeszerelés.....	175	Műszaki adatok.....	183
Üzemeltetés.....	175	EK megfelelőségi nyilatkozat.....	185
Karbantartás.....	177		

Bevezető

Termékleírás

A termék egy gyalog kísért forgóképes fűnyíró. Az LC 151, LC 151S típus esetén szerelje fel a fűgyűjtőt a fű összegyűjtéséhez. Szerelje fel az oldalsó kidobóelterelőt a fű oldalsó ürítéséhez. Az LC 151, LC 151S típus esetén csatlakoztasson egy porhanyító készletet a fű műtrágyázásra való vágásához.

A termék áttekintése

(ábra 1)

1. Fogantyú
2. Fékkar
3. Kerékajtás kapcsoló kar (LC 151S, LB 256SP)
4. Meghajtókar (LB 251S)
5. Hátsó burkolat (LC 151, LC 151S)
6. Fűgyűjtő (LC 151, LC 151S)
7. A fogantyú magasságát szabályozó gombok
8. Vágási magasságot szabályozó kar
9. Olajsapka és nivópálca
10. Oldalsó kidobófedél
11. Kipufogódob
12. Gyűjtőgyertya
13. Porlasztó
14. Üzemanyagtartály sapkája
15. Szimbólumok
16. Vágóburkolat
17. Légszűrő
18. Oldalsó elterelő
19. Porhanyító készlet (tartozék az LC 151, LC 151S típushoz)
20. Indítózsinór fogantyúja
21. Kezelői kézikönyv

A termék szimbólumai

(ábra 2) FIGYELMEZTETÉS! Körültekintően járjon el, és megfelelően használja a terméket. A gép a kezelő és mások súlyos sérülését és halálát okozhatja.

(ábra 3) Olvassa el figyelmesen a használati utasítást, és győződjön meg róla, hogy

Rendeltetésszerű használat

A termék fűnyírásra szolgál. Ne használja a terméket egyéb feladatokra.

megértette azt, mielőtt a terméket használatba veszi.

(ábra 4) Legyen óvatos a kivetett és visszapatpanó tárgyakkal.

(ábra 5) A személyeket és állatokat tartsa biztonságos távolságban a munkaterülettől.

(ábra 6) Figyelmeztetés: Tartsa távol kezét és lábát a forgó késektől.

(ábra 7) Figyelmeztetés: Tartsa távol kezét és lábát a forgó alkatrészekről.

(ábra 8) Javítás vagy karbantartás előtt állítsa le a motort, és vegye le a gyújtáskábellet.

(ábra 9) Ez a termék megfelel a vonatkozó EK irányelveknek.

(ábra 10) Az Európai Közösség irányelvének megfelelő környezeti zajkibocsátás. A termék kibocsátási adatai megtalálhatók a Műszaki adatok című fejezetben és a címkén.

(ábra 11) Tűzveszély.

(ábra 12) Ne lélegezze be a kipufogógázokat. A motorból származó kipufogógázok szén-monoxidot tartalmaznak, amely szagtalan, mérgező, rendkívül veszélyes gáz. Ne indítsa be a motort beltérben vagy zárt helyen.

(ábra 13) Forró felület.

(ábra 14) Töltse fel a motort olajjal a termék beindítása előtt.

Megjegyzés: A terméken szereplő többi jelölés/címke néhány piac specifikus vizsgáztatási követelményeire vonatkozik.

Termékszavatosság

A termékszavatosságra vonatkozó jogszabályok értelmében nem vagyunk felelősek a termékeink által okozott károkért az alábbi esetekben:

- a termék javítását helytelenül végezték;
- a termék javítása nem a gyártótól származó vagy általa jóváhagyott alkatrészekkel történt;
- a terméket nem a gyártótól származó vagy általa jóváhagyott kiegészítővel szerelték fel;
- a termék javítását nem hivatalos szakszerviz vagy jóváhagyott egyéb szerviz végezte.

Euro V. kibocsátási norma



FIGYELMEZTETÉS: A motor módosítása érvényteleníti a termékre vonatkozó európai uniós típusjóváhagyást.

Biztonság

Biztonsági meghatározások

A figyelmeztetések, óvintézkedések és megjegyzések a használati utasítás kiemelten fontos részeire hívják fel a figyelmet.



FIGYELMEZTETÉS: Akkor használatos, ha a kézikönyv utasításainak be nem tartása esetén fennáll a kezelő vagy a közelben tartózkodók sérülésének vagy halálának veszélye.



VIGYÁZAT: Akkor használatos, ha a kézikönyv utasításainak be nem tartása esetén fennáll a vagyoni kár, illetve a termék vagy a környező terület károsodásának veszélye.

Megjegyzés: További információt biztosít az adott helyzetben szükséges tennivalókról.

Általános biztonsági utasítások



FIGYELMEZTETÉS: A termék használata előtt olvassa el az alábbi figyelmeztetéseket.

- Ez a termék veszélyes, ha helytelenül használja, vagy ha nem vigyáz. A biztonsági utasítások be nem tartása sérüléssel vagy halállal járhat.
- A termék működés közben elektromágneses mezőt hoz létre. Ez bizonyos körülmények esetén hatással lehet az aktív vagy passzív orvosi implantátumokra. A súlyos vagy halálos sérülés kockázatának csökkentése érdekében azt javasoljuk, hogy az orvosi implantátumot használó személyek a termék alkalmazása előtt kérjék ki orvosuk vagy az orvosi implantátum gyártójának tanácsát.
- Mindig megfontoltan és előrelátóan cselekedjen. Ha nem biztos benne, hogyan kell a terméket speciális helyzetben üzemeltetni, akkor hagyja abba a

tevékenységet, és beszéljen a Husqvarna kereskedőjével a folytatás előtt.

- Ne feledje, hogy a kezelő felelős a másokat és a mások tulajdonát érő balesetekért is.
- Tartsa tisztán a terméket. Ügyeljen arra, hogy a jelek és címkék jól olvashatóak legyenek.
- Ne engedje, hogy használják a terméket, amíg nem gondoskodott róla, hogy elolvassák és megértsék a használati utasítás tartalmát.
- A terméket gyermekek nem használhatják.
- Tartsa távol a gyermekeket a munkavégzési területtől. Egy felelős felnőttnek mindig jelen kell lennie.
- Ne használja a terméket olyan személy, aki nem ismeri a kezelési utasítást.
- Csökkent fizikai vagy szellemi képességekkel rendelkező személy csak felügyelet mellett használhatja a terméket. Egy felelős felnőttnek mindig jelen kell lennie.
- Ne használja a terméket, ha fáradt, beteg, illetve alkohol, drog vagy gyógyszer hatása alatt áll. Ez negatív hatással van a látására, az éberségére, a koordinációjára és az ítézőképességére.
- Ne használja a terméket, ha hibás.
- Ne változtassa meg a terméket, vagy ne használja, ha feltehetőleg valaki más változtatásokat hajtott végre rajta.
- Ne módosítson a motorfordulatszám-szabályozás beállításán.

A munkaterület biztonsága



FIGYELMEZTETÉS: A termék használata előtt olvassa el az alábbi figyelmeztetéseket.

- A termék használata előtt távolítsa el a különböző tárgyakat, például ágakat, gallyakat és köveket a munkaterületről.
- A vágószerszereknek ütköző tárgyak elrepülve személyek vagy tárgyak sérülését okozhatják. A

közelen állókat és az állatokat tartsa biztonságos távolságban a terméktől.

- Ne használja a terméket rossz időben, például ködben, esőben, erős szélben, nagy hidegben, villámás veszélyes esetén. A termék rossz időjárási körülmények között vagy nyirkos, nedves helyeken történő használata fásasztó. A rossz időjárás veszélyes körülményeket, például csúszós felületeket okozhat.
- Ügyeljen az olyan személyekre, tárgyakra és helyzetekre, amelyek akadályozzák a termék biztonságos üzemeltetését.
- Ügyeljen az olyan akadályokra, mint a gyökerek, kövek, gallyak, gödrök és árkok. A magas fű akadályokat rejthet.
- A lejtőkön levő fű nyírása veszélyes lehet. Ne használja a terméket 15 foknál meredekebb lejtőn.
- Az emelkedőknél/lejtőknél mindig oldalirányban működtesse a terméket. Ne haladjon felfelé vagy lefelé.
- Legyen körültekintő, ha olyan sarkok és tárgyak közelébe ér, amelyek gátolják a tiszta kilátást.

Munkabiztonság



FIGYELMEZTETÉS: A termék használata előtt olvassa el az alábbi figyelmeztetéseket.

- Ezt a terméket kizárólag fűves pázsitok nyírására használja. A termék más feladatokra történő használata nem megengedett.
- Használjon személyi védőfelszerelést. Lásd: *Személyi védőfelszerelés 173. oldalon.*
- Mindenképpen legyen tisztában azzal, hogy vészhelyzet esetén hogyan kell gyorsan leállítani a motort.
- Soha ne indítsa el a motort zárt térben vagy gyúlékony anyag közelében. A motorból kijutó kipufogó füstök forrók és szikrákat tartalmazhatnak, amelyek tüzet okozhatnak.
- Ne használja a készüléket, hacsak a kés és az összes borítás nincs megfelelően rögzítve. A nem megfelelően rögzített kés kilazulhat, és személyi sérülést okozhat.
- Ügyeljen arra, hogy a kés ne ütközzön olyan tárgyakba, mint például kövek és gyökerek. Ez kárt tehet a késben, és meghajlíthatja a motor tengelyét. A meghajlott tengely erős rezgést okoz, és így nagyon nagy a kockázata annak, hogy a kés meglazul.
- Ha a kés valamilyen tárgynak ütközik vagy rezegni kezd, azonnal állítsa le a terméket. Húzza ki a gyújtáskábel a gyújtógyertyából. Ellenőrizze, hogy a termék sérülésmentes-e. Javítsa meg a sérüléseket, vagy végeztesse el a szakszervizzel a javításokat.
- Amikor a motor működésben van, soha ne rögzítse tartósan a fékkart a fogantyúhoz.

- Helyezze a terméket stabil, vízszintes felületre, és kapcsolja be. Gondoskodjon arról, hogy a kés ne ütközzön se a talajba, se egyéb tárgyakba.
- Mindig maradjon a termék mögött, amikor működteti.
- A termék üzemeltetése során minden kerék legyen a talajon, és tartsa két kézzel a fogantyút. Tartsa távol kezét és lábát a forgó késektől.
- Ne döntse meg a terméket, ha a motor jár.
- Legyen óvatos, amikor hátrafelé húzza a terméket.
- Soha ne emelje fel a terméket, ha a motor jár. Ha fel kell emelnie a terméket, előbb kapcsolja ki a motort, és válassza le a gyújtásvezetékét a gyújtógyertyáról.
- Ne sétáljon hátrafelé a termék működtetése során.
- Állítsa le a motort, ha olyan területeken halad át, ahol nincs fű, például kavicsos, kövezett és aszfaltozott járdák.
- Ne fusson a termékkel, ha a motor jár. Mindig sétáljon a termék működtetése során.
- Mielőtt megváltoztatná a vágási magasságot, állítsa le a motort. Soha ne végezzen beállításokat, amikor a motor jár.
- Soha ne hagyja a terméket felügyelet nélkül járó motor esetén. Állítsa le a motort és győződjön meg arról, hogy a vágószerkezet nem forog.

Biztonsági utasítások az üzemeltetéshez

Személyi védőfelszerelés



FIGYELMEZTETÉS: A termék használata előtt olvassa el az alábbi figyelmeztetéseket.

- A személyi védőfelszerelés nem küszöböli ki teljes mértékben a sérülés kockázatát, de csökkenti a sérülés mértékét, ha bekövetkezik a baleset. A megfelelő felszerelés kiválasztásában kérje a kereskedő segítségét.
- 85 dB-nél magasabb zajszint esetén használjon hallásvédőt.
- Használjon nagy teherbírású, csúszásmentes bakancsot vagy cipőt. Ne használja nyitott cipőben vagy meztláb a terméket.
- Viseljen vastag, hosszú szárú nadrágot.
- Viseljen védőkesztyűt, például a vágószerkezet felhelyezésekor, ellenőrzésekor vagy tisztításakor.

Biztonsági eszközök a terméken



FIGYELMEZTETÉS: A termék használata előtt olvassa el az alábbi figyelmeztetéseket.

- Ne használjon olyan terméket, amelynek hibásak a biztonsági eszközei.
- Rendszeresen ellenőrizze a biztonsági eszközöket. A biztonsági eszközök meghibásodása esetén vegye fel a kapcsolatot a Husqvarna szervizműhellyel.

A vágóburkolat ellenőrzése

A vágóburkolat csökkenti a termék rezgését és a kés okozta sérülések kockázatát.

- Vizsgálja meg a vágóburkolatot, hogy nincs rajta sérülés, például repedés.

A fékkar ellenőrzése

A fékkar a motor leállítására szolgál. Ha elengedi a fékkart, a motor leáll.

- Indítsa be a motort, majd engedje el a fékkart. Ha a motor 3 másodpercen belül nem áll le, állíttassa be egy hivatalos Husqvarna szakszervizben a motorféket. (ábra 15)

A hátsó burkolat ellenőrzése

A hátsó terelőlap csökkenti annak veszélyét, hogy a tárgyak a kezelő felé verődjenek fel.

- Ellenőrizze, hogy a hátsó burkolat sértetlen-e.
- Ellenőrizze, hogy a hátsó burkolatot bezáró rugók nem sérültek-e.
- Cserélje ki a sérült rugókat és a meghibásodott alkatrészeket.
- Ellenőrizze, hogy a hátsó burkolat gördülékenyen mozog-e a zsanérokon.

Kipufogódob

A kipufogódob minimálisra csökkenti a zajszintet, és elvezeti a kipufogógázokat a kezelő közeléből.

Hiányzó vagy hibás kipufogódob esetén ne használja a terméket. A hibás kipufogódob növeli a zajszintet és a tűzveszélyt.



FIGYELMEZTETÉS: A kipufogódob erősen felhevül használat közben és után, illetve, amikor a motor alapjáraton működik. Legyen óvatos gyúlékony anyagok és/vagy gőzök közelében a tűzveszély elkerülése érdekében.

A hangfogó ellenőrzése

- Rendszeresen ellenőrizze a kipufogódob megfelelő rögzítését és épségét.

Üzemanyaggal kapcsolatos biztonság



FIGYELMEZTETÉS: A termék használat előtt olvassa el az alábbi figyelmeztetéseket.

- Ne indítsa be a terméket, ha üzemanyag vagy motorolaj került rá. Távolítsa el a nem kívánt üzemanyagot/motorolajat és hagyja megszáradni a terméket.
- Ha a kiömlött üzemanyag a ruhájára csöppent, öltözzön át azonnal.

- Ügyeljen arra, hogy ne kerüljön üzemanyag a testére, mert az sérülést okozhat. Ha üzemanyag került a testére, távolítsa el szappannal és vízzel.
- Ne indítsa be a motort, ha szivárog a motor. Vizsgálja meg rendszeresen a motort szivárgás szempontjából.
- Bánjon óvatosan az üzemanyaggal. Az üzemanyag gyúlékony, a gőzei robbanásveszélyesek, ezért súlyos, akár végzetes sérülést is okozhat.
- Ne lélegezze be az üzemanyag gőzeit, egészségkárosodást okozhatnak. Gondoskodjon megfelelő légáramlásról.
- Az üzemanyag vagy a motor közelében ne dohányozzon.
- Az üzemanyag vagy a motor közelébe ne tegyen forró tárgyakat.
- Ne tankoljon járó motornál.
- Várja meg a tankolással, amíg lehül a motor.
- Tankolás előtt nyissa meg lassan a tanksapkát, engedje ki óvatosan a nyomást.
- Ne beltérben tankoljon. A nem elegendő mértékű légáramlás fulladás vagy szén-monoxid miatt egészségkárosodást, akár halált is okozhat.
- Húzza meg teljesen az üzemanyagtartály sapkáját. Ha az üzemanyagtartály sapkája nincs meghúzva, tűzveszélyt okozhat.
- Beindítás előtt vigye a terméket legalább 3 m távolságra a tankolás helyétől.
- Ne töltsen teljesen tele az üzemanyagtartályt. Hő hatására az üzemanyag kitágul. Hagyjon egy kis helyet az üzemanyagtartály tetejénél.

Biztonsági utasítások a karbantartáshoz



FIGYELMEZTETÉS: A termék használat előtt olvassa el az alábbi figyelmeztetéseket.

- A motorból származó kipufogógázok szén-monoxidot tartalmaznak, amely szagtalan, mérgező, rendkívül veszélyes gáz. Ne indítsa be a motort beltérben vagy zárt helyen.
- A termék karbantartása előtt állítsa le a motort, és húzza ki a gyújtáskábelt a gyújtógyertyából.
- A vágószerszemet karbantartásokhoz használjon védőkesztyűt. A kés nagyon éles, könnyen megvághatja magát.
- A gyártó által nem jóváhagyott tartozékok és változtatások súlyos sérülést vagy halált okozhatnak. Ne végezzen módosításokat a terméken. Csak a gyártó által jóváhagyott tartozékokat használjon.
- Ha a karbantartást nem megfelelően és rendszeresen végezték el, nő a termék sérülésének és károsodásának kockázata.
- Csak a felhasználói kézikönyvben megadott karbantartást végezze el. Minden egyéb szervizelés csak hivatalos Husqvarna szervizműhely végezhet.

- Végeztesse a termék rendszeres szervizelését hivatalos Husqvarna szervizműhellyel.

- A sérült, kopott vagy törött alkatrészt cserélje ki.

Összeszerelés

Bevezető



FIGYELMEZTETÉS: A termék összeszerelése előtt el kell olvasnia és meg kell értenie a biztonságról szóló fejezetet.



FIGYELMEZTETÉS: A termék összeszerelése előtt távolítsa el a gyújtógyertya kábelét a gyújtógyertyából.

A fogantyú összeszerelése

1. Nyomja át a csavart (A) a fogantyún (B), a műanyag alátétlen (C) és a fogantyú tartókonvolján (D). (ábra 16)
2. Húzza meg teljesen az anyát (E).
3. Nyomja át a csavart (F) az alátétlen (G) és a fogantyú tartókonvolján. (ábra 17)
4. Húzza meg teljesen a gombot (H).

A fogantyú beállítása

1. Lazítsa meg az alsó csavarokat.
2. A gombokat a termék bal és jobb oldalán is csúsztassa a hornyok alsó végébe. (ábra 18)
3. Állítsa a fogantyú magasságát a két lehetséges pozíció egyikébe.
4. A gombokat ütközésig csúsztassa a fogantyú irányába, amíg egy kattánót nem hall. (ábra 19)

5. Teljesen húzza meg a gombokat.

A termék szállítási pozícióba állítása

1. Lazítsa meg az alsó csavarokat.
2. A gombokat a termék bal és jobb oldalán is csúsztassa a hornyok alsó végébe. (ábra 18)
3. Hajtsa előre a fogantyút. (ábra 20)

A termék működési pozícióba állítása

1. Hajtsa ki a fogantyút a legfelső pozícióba. (ábra 21)
2. A gombokat ütközésig csúsztassa a fogantyú irányába, amíg egy kattánót nem hall. (ábra 19)
3. Teljesen húzza meg a gombokat.

A fűgyújtó doboz felszerelése (LC 151, LC 151S)

1. Rögzítse a fűgyújtó keretét a fűzsákban úgy, hogy a fűzsák merev része alul legyen. Ügyeljen arra, hogy a keret fogantyúja a zsák tetején kívülre essen. (ábra 22)
2. Rögzítse a fűzsákot a vázkerethez a kapcsokkal. (ábra 23)

Üzemeltetés

Bevezető



FIGYELMEZTETÉS: A termék működtetése előtt el kell olvasnia és meg kell értenie a biztonságról szóló fejezetet.

Husqvarna Connect

A Husqvarna Connect egy ingyenes mobilalkalmazás. A Husqvarna Connect alkalmazás kibővített funkciókat biztosít Husqvarna termékéhez:

- Bővebb termékinformációk.
- Információk és segítség a termékalkatrészekkel és a szervizeléssel kapcsolatban.

A Husqvarna Connect használatának megkezdése

1. Töltse le a Husqvarna Connect alkalmazást mobil eszközére.
2. Regisztráljon egy fiókot a Husqvarna Connect alkalmazásban.
3. A termék csatlakoztatásához és regisztrálásához kövesse a Husqvarna Connect alkalmazásban megjelenő utasításokat.

A termék működtetése előtt

1. Olvassa el figyelmesen a használati utasítást, és győződjön meg róla, hogy megértette azt.
2. Vizsgálja meg a vágószerkezetet, hogy megbizonyosodjon róla, hogy megfelelően van-e rögzítve és beállítva. Lásd *A vágószerkezet ellenőrzése* 179. oldalon.

3. Töltse fel az üzemanyagtartályt. Lásd *Tankolás 176. oldalon.*
4. Töltse fel az olajtartályt, és ellenőrizze az olajszintet. Lásd *Az olajszint ellenőrzése 179. oldalon.*

Tankolás

Ha elérhető, használjon környezetbarát/alkilát benzint. Ha környezetbarát/alkilát benzint nem áll rendelkezésre, használjon jó minőségű, legalább 90-es oktánszámú ömlesztett vagy ömlesztett benzint.



VIGYÁZAT: Ne használjon 90 RON (87 AKI) oktánszámúnál gyengébb benzint. Ezzel kárt tehet a termékben.

1. Lassan nyissa ki az üzemanyagtartály sapkáját, hogy kiengedje a nyomást.
2. Töltsön fel lassan a tartályt az üzemanyagkannával. Ha kiömlött az üzemanyag, törölje le egy kendővel, és hagyja, hogy a megmaradt üzemanyag felszáradjon. (ábra 24)
3. Tartsa tisztán az üzemanyagtartály sapkájának környékét.
4. Húzza meg teljesen az üzemanyagtartály sapkáját. Ha az üzemanyagtartály sapkája nincs meghúzva, tűzveszélyt okozhat.
5. Vigye legalább 3 m (10 láb) távolságra a terméket a tankolás helyétől, mielőtt beindítaná.

A vágási magasság beállítása

1. Mozgassa a vágási magasságot szabályozó kart hátrafelé a vágási magasság növeléséhez.
2. Mozgassa a vágási magasságot szabályozó kart előrefelé a vágási magasság csökkentéséhez. (ábra 25)



VIGYÁZAT: Ne állítsa túl alacsonyra a vágási magasságot. A kések a talajba ütközhetnek, ha a pázsit felülete nem egyenletes.

A termék elindítása

1. Győződjön meg róla, hogy a gyújtáskábel csatlakozik a gyújtógyertyához.
2. Maradjon a termék mögött.
3. Húzza a fékkart a fogantyúhoz. (ábra 26)
4. Fogja meg a berántókötél fogantyúját jobb kézzel.
5. Lassan húzza ki a berántókötélet, amíg ellenállást nem érez.
6. Erőteljes mozdulattal rántsa be a motort.



FIGYELMEZTETÉS: Ne tekerje a berántókötélet a keze köré.

A kerekeken levő meghajtó használata LC 151S & LB 256SP

- Nyomja a kerékajtás kapcsoló kart a fogantyú irányába. (ábra 27)
- Engedje el a kerékajtás kapcsoló kart, hogy kikapcsolja a meghajtást, például amikor akadály közelébe ér.
- Mielőtt maga felé húzza a gépet, kapcsolja ki a meghajtást, és tolja előre a gépet kb. 10 cm-re.

A kerekeken levő meghajtó használata (LB 251S)

- Húzza a meghajtókart a fogantyú irányába. (ábra 28)
- Tolja el a meghajtókart a fogantyúval ellentétes irányba, hogy kikapcsolja a meghajtást, például amikor akadály közelébe ér.

Megjegyzés: A meghajtókart a motorfékkar elengedésekor automatikusan kikapcsol.

- Mielőtt maga felé húzná a terméket, tolja el a meghajtókart a fogantyúval ellentétes irányba, és tolja előre a terméket körülbelül 10 cm-re a meghajtás teljes mértékű kikapcsolásához.

A termék leállítása

- Ha csak a meghajtást szeretné leállítani, engedje el a kerékajtás-kapcsoló kart (LC 151S, LB 256SP) vagy a meghajtókart (LB 251S).
- A motor leállításához engedje el a fékkart.

A termék használata fűgyűjtővel (LC 151, LC 151S)



FIGYELMEZTETÉS: Ne működtesse a terméket, ha nincs felszerelve fűgyűjtő, vagy nincs lezárva a hátsó burkolat. A termék tárgyakat repíthet szét, amelyek a kezelő sérülését okozhatják.

1. Emelje fel a hátsó burkolatot, és távolítsa el a mulcsozódugót (ha be van helyezve). (ábra 29)
2. A fűgyűjtő összeszerelése, lásd: *A fűgyűjtő doboz felszerelése (LC 151, LC 151S) 175. oldalon.*
3. Helyezze a fűgyűjtőt a rögzítőkeretre.
4. Engedje el a hátsó burkolatot, és tegye a fűszák keretének tetejére. (ábra 30)

A termék átállítása mulcsozási üzemmódra (LC 151, LC 151S)

A termék mulcsozási üzemmódba állítása előtt győződjön meg arról, hogy a motor le van-e állítva.

1. Emelje fel a hátsó burkolatot, és távolítsa el a fűgyűjtőt (ha fel van szerelve).
2. Helyezze a mulcsozódugót a fűkibodó csatornába. (ábra 31)

3. Zárja le a hátsó burkolatot, és ellenőrizze, hogy szorosan a mulcsozódugóhoz rögzül-e.
4. Cserélje ki a kést a mulcsozókészlethez mellékelt mulcsozókéstre. Lásd az *A kés cseréje* 179. oldalon fejezetet.

A termék átállítása oldalsó kidobás üzemmódra

1. Emelje fel a hátsó burkolatot, és távolítsa el a fűzsákot (ha be van helyezve).
2. Zárja le a hátsó burkolatot, és ellenőrizze, hogy szorosan a termékhez rögzül-e.
3. Emelje fel a kidobó reteszt. (ábra 32)
4. Nyissa fel az oldalsó fűkidobó fedelét, és szerelje fel az oldalsó kidobóelterelőt a tartócsapokra. (ábra 33)
5. Hagyja az oldalsó fűkidobó fedelét szorosan az oldalsó kidobóelterelőhöz rögzülni. A termék használata előtt ellenőrizze, hogy az oldalsó kidobóelterelő szorosan rögzült-e a helyén.

A fűgyűjtő kiürítése



VIGYÁZAT: Emelje meg a fűgyűjtőt annak mozgatásakor, hogy elkerülje az elhasználódását.

1. A keret fogantyújánál fogva emelje fel a fűgyűjtőt.
2. A fűgyűjtő kiürítésekor használja a vázon és a zsákon található fogantyút. (ábra 34)

Megfelelő eredmény elérése

- Használjon mindig éles kést. A tompa kés egyenletlen eredményt ad, és a fű vágási felülete megsárgul. Az éles kés egyben kevesebb energiát igényel, mint a tompa kés.
- Ne nyírijon le többet a fű hosszának 1/3-ánál. A fűnyírás megkezdésekor használja a legmagasabb vágási magasságot. Vizsgálja meg az eredményt, és csökkentse a vágási magasságot egy megfelelő szintre. Ha nagyon magas a fű, lassan és szükség esetén 2-szer nyírijon.
- Minden alkalommal más irányban haladjon, hogy ne alakuljanak ki sávok a pázsiton.
- Emelje fel a hátsó burkolatot, és vegye ki a fűgyűjtőt.
- Ha van felszerelve mulcsozódugó és mulcsozóké, szerelje le azokat.
- Zárja le a hátsó burkolatot, mielőtt használni kezdené a terméket. A termék használatakor a levágott fű a hátsó burkolat alatt ürül.

Karbantartás

Bevezető



FIGYELMEZTETÉS: Karbantartás előtt el kell olvasnia és meg kell értenie a biztonságról szóló fejezetet.

A gépen végzett minden szerviz- és javítási munkát szakképzettséget igényel. Garantáljuk a professzionális javítások és szervizelés lehetőségét. Ha viszonteladója nem szervizműhely, forduljon hozzájuk a legközelebbi szervizműhellyel kapcsolatban.

Karbantartási terv



VIGYÁZAT: A termék megdöntésekor ügyeljen arra, hogy a levegőszűrő a termék felfelé néző oldalán, ne pedig a föld felé néző oldalán legyen. Fennáll a motor károsodásának veszélye.

A karbantartási intervallumok meghatározásakor a termék napi használatát feltételeztük. Az intervallum változik, ha a terméket nem napi rendszerességgel használja.

A * szimbólummal jelölt karbantartási műveletekhez lásd a *Biztonsági eszközök a terméken* 173. oldalon című részben található utasításokat.

Karbantartás	Naponta	Havonta	Évszakonként
Végezzen általános ellenőrzés	X		
Ellenőrizze az olajszintet	X		

Karbantartás	Naponta	Havonta	Évszakonként
Cserélje ki az olajat (először 5 óra használat után, majd minden 50 óra használat után) ⁷⁸			X
Tisztítsa meg a terméket	X		
Ellenőrizze a vágószerkezetet	X		
Ellenőrizze a vágóburkolatot *	X		
Ellenőrizze a fékkart *	X		
Ellenőrizze a hangfogót *		X	
Ellenőrizze a gyújtógyertyát. Szükség esetén tisztítsa meg vagy cserélje ki a gyújtógyertyát			X
Ellenőrizze a levegősűrőt	X		
Tisztítsa ki a légsűrőt ⁷⁹		X	
Cserélje ki a levegősűrőt			X
Ellenőrizze az üzemanyagrendszer			X
Tisztítsa meg a hengeren lévő hűtőbordákat		X	
Ellenőrizze és állítsa be a tengelykapcsoló bowdent (LC 151S, LB 251S, LB 256SP)			X
Tisztítsa meg a hajtómű fedele alatti területet (LB 251S)			X

Általános ellenőrzés

- Ellenőrizze, hogy az anyák és csavarok megfelelően meg vannak-e szorítva a terméken.

A termék külső tisztítása

- Kefével távolítsa el a leveleket, a fűvet és az egyéb szennyeződések.
- Győződjön meg róla, hogy a motor tetején lévő levegőbeömlő nyílás nincs eltömődve.
- Ne használjon nagynyomású mosót a termék tisztításához.
- Ha vízzel tisztítja a terméket, ne irányítsa a vízugarat közvetlenül a motorra.

A vágóburkolat belső felületének tisztítása

- Ürítse ki a benzintartályt.
- Döntse meg a terméket. Ellenőrizze, hogy a gyújtógyertya felfelé néz-e.



VIGYÁZAT: Ha a terméket a légsűrővel lefelé fordítva állítja, a motor károsodhat.

- Mossa le vízzel a vágóburkolat belső felületét.

A hajtómű fedele alatti terület tisztítása (LB 251S)

- Ürítse ki a benzintartályt.
- Döntse meg a terméket. Ellenőrizze, hogy a gyújtógyertya felfelé néz-e.



VIGYÁZAT: Ha a terméket a légsűrővel lefelé fordítva állítja, a motor károsodhat.

- Távolítsa el a 7 csavart. (ábra 35)
- Távolítsa el a sebességváltó burkolatát.
- Egy kefe segítségével tisztítsa meg a felületet.



VIGYÁZAT: A hajtómű fedele alá jutó víz vagy szennyeződés a hajtómű károsodását okozhatja.

⁷⁸ Ha a terméket komoly terhelés vagy magas környezeti hőmérséklet mellett működtetik, cserélje ki a motorolajat 25 óránként.

⁷⁹ Végezze el gyakrabban a tisztítást poros környezet vagy a levegőben szálló törmelék jelenléte esetén. Ha a légsűrő erősen szennyezett, akkor cserélje ki.

6. Szerelje fel a hajtómű fedelét és a 7 csavart.

A vágószerkezet ellenőrzése



FIGYELMEZTETÉS: A termék véletlen elindítását elkerülendő, húzza ki a gyújtáskábelt a gyújtógyertyából.



FIGYELMEZTETÉS: A vágószerkezet karbantartásakor használjon védőkesztyűt. A kés nagyon éles, könnyen megvághatja magát.

1. Ellenőrizze a vágószerkezetet sérülés, repedés szempontjából. Mindig cserélje ki a sérült vágószerkezetet.
2. Nézze meg a kést, hogy sérült-e vagy tompa-e.

Megjegyzés: A kés élezését követően ki kell egyensúlyozni. Végeztesse a kés élezését, cseréjét és kiegyensúlyozását szervizközponttal. Ha olyan akadályba ütközött, amely megállította a terméket, cserélje ki a sérült kést. Vizsgáltsa meg a szervizközpontban, hogy élezhető-e a kés, vagy pedig cserét igényel-e.

A kés cseréje

1. Rögzítse a kést egy fadarabbal. (ábra 36)
2. Távolítsa el a késtartó csavart.
3. Vegye le a kést.
4. Ellenőrizze a késtámszt és a késtartó csavart, hogy sérült-e.
5. Ellenőrizze a motor tengelyét, hogy nincs-e meghajolva.
6. Az új kés rögzítésekor a kés ferde vége a vágóburkolat felé nézzen. (ábra 37)
7. Győződjön meg róla, hogy a kés igazodik a motortengely középpontjához.
8. Rögzítse a kést egy fadarabbal. Helyezze fel a rugós alátétet, és húzza meg a csavart 43 – 47 Nm nyomatékkal. (ábra 38)
9. Forgassa meg a kést kézzel, és figyelje, hogy szabadon forog-e.



FIGYELMEZTETÉS: Használjon strapabíró kesztyűt. A kés nagyon éles, könnyen megvághatja magát.

10. Indítsa be a terméket, hogy tesztelje a kést. Ha a kés nincs megfelelően rögzítve, a termékben rezgés tapasztalható, vagy a vágási eredmény nem kielégítő.

Az olajsztint ellenőrzése



VIGYÁZAT: Ha az olajsztint túlságosan alacsony, kár keletkezhet a motorban. Ellenőrizze az olajsztintet, mielőtt elindítja a terméket.

1. Helyezze a terméket vízszintes talajra.
2. Vegye le az olajtartály sapkáját a rögzített nivópálcával együtt.
3. Törölje le a nivópálcáról az olajat.
4. Tegye a nivópálcát teljesen az olajtartályba, hogy pontos képet kapjon az olajsztintről.
5. Vegye ki a nivópálcát.
6. Vizsgálja meg az olajsztintet a nivópálcán.
7. Ha az olajsztint alacsony, tölts fel a tartályt motorolajjal, és ellenőrizze újra az olajsztintet.

A motorolaj cseréje



FIGYELMEZTETÉS: A motorolaj rendkívül forró közvetlenül a motor leállítása után. Várja meg, amíg lehűl a motor, mielőtt leereszti az olajat. Ha motorolaj kerül a bőrére, vízzel és szappannal mossa le.

(ábra 39)

1. Használja a terméket addig, amíg kiürül az üzemenyagtartály.
2. Húzza ki a gyújtáskábelt a gyújtógyertyából.
3. Vegye le az olajtartály sapkáját.
4. Tegyen egy tartályt a termék alá, hogy a motorolajat összegyűjtse.
5. Döntse meg a terméket, hogy az olajtartályból kifolyjon a motorolaj.
6. Tölts fel az olajtartályt a(z) *Műszaki adatok 183. oldalon* részben ajánlott típusú, új motorolajjal.
7. Ellenőrizze az olajsztintet. Lásd: *Az olajsztint ellenőrzése 179. oldalon.*

A gyújtógyertya ellenőrzése.



VIGYÁZAT: Használja mindig az előírt típusú gyújtógyertyát. A nem megfelelő gyújtógyertya károsíthatja a terméket.

- Vizsgálja meg a gyújtógyertyát, ha gyenge a motor, nehezen indul, vagy egyenetlen az alapjárata.
- A gyújtógyertya elektródái közötti lerakódások kialakulásának csökkentése érdekében tartsa be az alábbi utasításokat:
 - a) gondoskodjon az alapjárat fordulatszám megfelelő beállításáról;
 - b) gondoskodjon a megfelelő üzemenyag-keverékről;

- c) gondoskodjon a levegőszűrő tisztaságáról.
- Ha a gyújtógyertya piszkos, tisztítsa meg, és ellenőrizze, hogy a szikraköz megfelelő-e, lásd: *Műszaki adatok 183. oldalon.* (ábra 40)
- Szükség esetén cserélje ki a gyújtógyertyát.

Légszűrő

A szennyezett levegőszűrő a motor sérülését vagy nem megfelelő működését okozhatja. Poros körülmények esetén gyakrabban végezze el a légszűrő karbantartását. A levegőszűrő cseréjének szükségességével kapcsolatos információkat lásd itt: *Karbantartás 177. oldalon.*

Megjegyzés: Mindig cserélje ki a sérült levegőszűrőt.

A levegőszűrő eltávolítása és felszerelése



FIGYELMEZTETÉS: Használjon védőkesztyűt.

1. Nyomja be a légszűrő fedelén található füleket.
2. Óvatosan távolítsa el a légszűrő fedelét (A) a motorról.
3. Távolítsa el a légszűrőt (B). (ábra 41)
4. Ellenőrizze, hogy nem károsodott-e a légszűrő. Cserélje ki a sérült levegőszűrőt.
5. Tisztítsa meg és ellenőrizze a levegőszűrőt. Lásd: *A levegőszűrő megtisztítása 180. oldalon.*
6. A beszerelést fordított sorrendben végezze el.

A levegőszűrő megtisztítása

A szennyezett levegőszűrő a motor sérülését vagy nem megfelelő működését okozhatja. Poros körülmények esetén gyakrabban végezze el a légtisztító karbantartását.

A levegőszűrő cseréjének szükségességével kapcsolatos információkat lásd: *Karbantartás 177. oldalon.*

1. Távolítsa el a levegőszűrő fedelét és a szűrőt.
2. Tisztítsa ki a szűrőt, sima felülethez ütögetve. A levegőszűrő tisztításához ne használjon petróleumot vagy kerozint tartalmazó oldószert, illetve sűrített levegőt.

Megjegyzés: A hosszú ideje használt levegőszűrőket nem lehet teljes mértékben megtisztítani. A légszűrőt

rendszeres időközönként cserélje ki. A sérült levegőszűrőt mindig ki kell cserélni.

3. A levegőszűrő összeszereléskor ügyeljen arra, hogy a szűrő szorosan illeszkedjen a szűrőtartóba.

Az oldalsó kidobóelterelő ellenőrzése

Az oldalsó kidobóelterelő a termék oldalsó kidobónyílására van rögzítve. Csökkenti annak veszélyét, hogy a tárgyak a kezelő fűnyírás pozíciója felé repüljenek.

1. Ellenőrizze, hogy az oldalsó kidobóelterelő nem sérült-e.
2. Ellenőrizze az oldalsó kidobóelterelőt. Ellenőrizze, hogy nem lát-e hibákat, például nincsenek-e repedések, illetve nem törtek-e el az ajtó bezáródását biztosító rugók.
3. Ha az oldalsó kidobóelterelő vagy a rugók sérültek, cserélje ki őket.

Az üzemanyagrendszer ellenőrzése

- Vizsgálja meg az üzemanyagtartály sapkáját és a sapka tömítését, hogy ellenőrizze, nincs-e megsérülve.
- Vizsgálja meg az üzemanyag-vezetékét, hogy ellenőrizze, nincs-e szivárgás. Ha az üzemanyag-vezeték sérült, cseréltesse ki egy szervizműhelyben.

A tengelykapcsoló bovden beállítása (LC 151S, LB 251S, LB 256SP)

A következő esetekben csökkenteni kell a tengelykapcsoló bovden hosszát:

- A kerékajtás nem kapcsol be a kerékajtás-kapcsoló kar vagy a sebességszabályozó kar meghúzásakor.
- A termék lassan mozog, amikor a kerékajtás be van kapcsolva.

A következő esetekben meg kell hosszabbítani a tengelykapcsoló bovden:

- A termék elmozdul, amikor a kerékajtás nincs bekapcsolva.
- Állítsa be a tengelykapcsoló bovden.
 - a) A tengelykapcsoló bovden hosszának csökkentéséhez fordítsa el a beállítócsavart az óramutató járásával ellentétes irányba.
 - b) A bovden meghosszabbításához fordítsa el a beállító csavart az óramutató járásával megegyező irányba. (ábra 42)

Ha a beállítás után a termék továbbra sem halad megfelelően, forduljon a szakszervizhez.

Motorral kapcsolatos hibaelhárítás

Probléma	Lehetséges ok	Megoldás
A motor nem indul.	A gyújtáskábel nincs megfelelően csatlakoztatva.	Csatlakoztassa a gyújtáskábelt a gyújtógyertyához.
	Kiürült az üzemanyagtartály.	Töltse fel az üzemanyagtartályt a megfelelő típusú üzemanyaggal.
	Az olaj régi.	Engedje le az üzemanyagtartályt és a karburátort. Töltse fel friss benzinnel.
	Szennyeződés került a karburátorba vagy az üzemanyag-vezetékbe.	Tisztítsa meg a karburátort és/vagy az üzemanyag-vezetékét.
	Meghibásodott a gyújtógyertya.	Állítsa be a szikraközt, tisztítsa meg vagy cserélje ki a gyújtógyertyát.
	Üzemanyag került a gyújtógyertyára.	Tisztítsa meg a gyújtógyertyát.
A motor nem áll le.	A leállító mechanizmus hibás.	Húzza ki a gyújtáskábelt a gyújtógyertyából. Bízva hivatalos szervizműhelyre a termék javítását.
A motor nem egyenletesen jár.	A gyújtáskábel nincs megfelelően csatlakoztatva.	Csatlakoztassa a gyújtáskábelt a gyújtógyertyához.
	Szennyeződés van az üzemanyag-vezetékben, vagy az üzemanyag lejárt.	Tisztítsa meg az üzemanyag-vezetékét. Töltse fel az üzemanyagtartályt a megfelelő típusú új üzemanyaggal.
	Eltömődés van az üzemanyagtartály sapkájában.	Tisztítsa meg az üzemanyagtartály sapkáját.
	Víz vagy szennyeződés van az üzemanyagrendszerben.	Eressze le az üzemanyagtartályt. Töltse fel az üzemanyagtartályt a megfelelő típusú új üzemanyaggal.
	Piszkos a levegőszűrő.	Légszűrő tisztítása.
	Be kell állítani a karburátort.	A karburátor beállítását végeztesse el a hivatalos szakszervizben.
A motor túl forró.	Túl alacsony a motorolajszint.	Töltse fel a motort olajjal.
	A levegőáramlás nem elegendő.	Tisztítsa meg a levegőszűrőt és a levegőszűrő házát.
	Be kell állítani a karburátort.	A karburátor beállítását végeztesse el a hivatalos szakszervizben.
Időnként kihagy a gyújtás, amikor a motor nagy sebességgel üzemel.	A gyújtógyertya szikraköze túl kicsi.	Állítsa be a szikraközt.
A motor szokatlan hangokat bocsát ki normál terhelés mellett.	A benzin típusa nem megfelelő.	Engedje le az üzemanyagtartályt és a karburátort. Töltse fel friss benzinnel. Lásd: <i>Tankolás 176. oldalon</i> . Ha a probléma továbbra is fennáll, lépjen kapcsolatba a helyi szervizzel.

Probléma	Lehetséges ok	Megoldás
Alapjáraton nem egyenletes a motor járása.	A gyújtógyertya piszkos, hibás vagy túl nagy a szikraköz.	Állítsa be a szikraközt, vagy cserélje ki a gyújtógyertyát.
	Be kell állítani a karburátort.	Állítsa be a karburátort.
	Piszkos a levegőszűrő.	Légszűrő tisztítása.

Szállítás, tárolás és ártalmatlanítás

Szállítás és raktározás

- A termék és az üzemanyag tárolásához és szállításához győződjön meg róla, hogy nincsenek szivárgások vagy gőzök. Szikra vagy nyílt láng, például elektromos készülékektől vagy kazánoktól, tüzet okozhat.
- Mindig engedélyezett tartályokat használjon az üzemanyag tárolására és szállítására.
- Ha a terméket hosszabb ideig tárolja, ürítse ki az üzemanyagtartályt. A felesleges üzemanyagot adja le egy erre kijelölt gyűjtőpontra.
- Biztonságosan rögzítse a terméket szállítás során, a sérülés és baleset elkerülése érdekében.
- Tartsa a terméket zárható helyen, ahol gyermek vagy jogosulatlan személy nem férhet hozzá.
- Tartsa a terméket száraz és fagymentes helyen.

Hulladékkezelés

- Kövesse a helyi újrahasznosítási előírásokat és a vonatkozó szabályozásokat.
- A használt vagy felesleges vegyi anyagot, például a motorolajat vagy az üzemanyagot, adja le egy szervizközpontban vagy egy erre kijelölt gyűjtőpontra.
- A már nem használt terméket, küldje vissza a Husqvarna kereskedőhöz, vagy adja le egy újrahasznosítási ponton.

Műszaki adatok

Műszaki adatok

	LC 151	LC 151S	LB 251S	LB 256SP
Motor				
Márka	Husqvarna	Husqvarna	Husqvarna	Husqvarna
Motortípus	Egyhengeres, 4 ütemű, kényszerített léghűtéses, OHV	Egyhengeres, 4 ütemű, kényszerített léghűtéses, OHV	Egyhengeres, 4 ütemű, kényszerített léghűtéses, OHV	Egyhengeres, 4 ütemű, kényszerített léghűtéses, OHV
Lökettérfogat, cm ³	166	166	166	166
Fordulatszám, ford./perc	2800	2800	2800	2800
Névleges motorteljesítmény, kW ⁸⁰	2,7	2,7	2,7	2,7
Gyújtásrendszer				
Gyújtógyertya	Husqvarna HQT-7	Husqvarna HQT-7	Husqvarna HQT-7	Husqvarna HQT-7
Elektródahézag, mm	0,7-0,8	0,7-0,8	0,7-0,8	0,7-0,8
Üzemanyag- és kenési rendszer				
Motor kenési típusa	Fröcsköléses	Fröcsköléses	Fröcsköléses	Fröcsköléses
Üzemanyagtartály űrtartalma, liter	1,0	1,0	1,0	1,0
Olajtartály űrtartalma, liter	0,5	0,5	0,5	0,5
Motorolaj ⁸¹	Husqvarna SAE 30	Husqvarna SAE 30	Husqvarna SAE 30	Husqvarna SAE 30
Tömeg				
Üres tartályokkal, kg	31,1	32,6	32,0	33,1
Zajkibocsátás⁸²				
Hangteljesítményszint, dB(A)-ben mérve	96	96	95	97
Hangteljesítményszint, garantált, L _{WA} dB (A)	98	98	96	98

⁸⁰ A motor feltüntetett névleges teljesítménye az adott motormodell tipikus legyártott motorjának a J1349/ISO1585 sz. SAE-szabvány szerint mért átlagos nettó teljesítménye (a megadott fordulatszám mellett). A sorozatgyártott motorok esetén ez az érték eltérő lehet. A végső termékbe épített motor tényleges leadott teljesítménye az üzemi fordulatszámtól, a környezeti körülményektől és egyéb értékektől függ.

⁸¹ Ha SAE-30 típusú olajat használnak +5 °C alatti hőmérsékleten, fennáll a kockázata, hogy az nem képes biztosítani a motor megfelelő kenését. Ez a motor sérülését okozhatja. Az alacsony hőmérséklet mellett alkalmazandó megfelelő olajtípusra vonatkozóan lásd: *A motorolaj cseréje 179. oldalon.*

⁸² A környezetben a 2000/14/EK sz. EK irányelvvel összhangban hangteljesítményként mért zajkibocsátás (L_{WA}).

	LC 151	LC 151S	LB 251S	LB 256SP
Zajszintek⁸³				
Hangnyomásszint a kezelő fülénél, dB(A)	86	86	82	86
Rezgésszintek⁸⁴				
Rezgésszint, fogantyú, m/s ²	8,5	8,5	4,7	7,5
Vágószerkezet				
Vágási magasság, mm	25–75	25–75	25–75	25–75
Vágószélesség, mm	510	510	510	560
Vágórendszer	Gyűjtés/BioClip®/oldalsó kidobás	Gyűjtés/BioClip®/oldalsó kidobás	BioClip®/oldalsó kidobás	BioClip®/oldalsó kidobás
Kés – standard	598562601 kollektív	598562601 kollektív	597683901 mulcszó	598563601 mulcszó
Kés – tartozék	597683901 mulcszó	597683901 mulcszó	–	–
Fűgyűjtő űrtartalma, liter	65	65	–	–
Meghajtás				
Önjárás sebessége, km/h	–	3,6	4,0	3,6

⁸³ A zajnyomásszintre vonatkozó jelentési adatok az 1,2 dB (A) tipikus statisztikus ingadozásával (szórásával) rendelkeznek.

⁸⁴ A rezgésszintre vonatkozó jelentési adatok az 0,2 m/s² tipikus statisztikus ingadozásával (szórásával) rendelkeznek.

EK megfeleléségi nyilatkozat

EK megfeleléségi nyilatkozat

A **Husqvarna AB**, SE-561 82 Huskvarna, Svédország, tel: +46-36-146500, kijelenti, hogy a **Husqvarna LC 151, LC 151S, LB 251S, LB 256SP** fűnyírók a 2020 évtől kezdődően megfelelnek az EGK TANÁCSA következő IRÁNYELVEINEK:

- a 2011. június 8-i, „egyes veszélyes anyagok alkalmazásának korlátozására vonatkozó” irányelv **2011/65/EU**
- a 2006. május 17-i, „gépekre vonatkozó” irányelv **2006/42/EK**
- a 2014. február 26-i, „elektromágneses megfelelésséggel kapcsolatos” irányelv **2014/30/EU**
- a 2000. május 8-i, „környezeti zajkibocsátással kapcsolatos” irányelv **2000/14/EK**

A zajkibocsátásra vonatkozó tájékoztatást lásd a Műszaki adatok című fejezetben.

A következő szabványok kerültek alkalmazásra:

EN ISO 5395-1:2013, EN ISO 5395-1:2013/A1, EN ISO 5395-2:2013, EN ISO 5395-2:2013/A1:2016, EN ISO 5395-2:2013/A2:2017, EN ISO 14982:2009

Eltérő rendelkezés hiányában a fenti szabványok a legutóbb közzétett verziókat jelölik.

Bejelentett szervezet (LC 151, LC 151S, LB 256SP):
0036, TÜV SÜD Industrie Service GmbH, Westendstrasse 199, 80686 München, Germany
elvégezte a megfeleléségi felmérést a 2000/14/EK irányelv VI. mellékletének megfelelően.

Bejelentett szervezet (LB 251S): **0404, RISE SMP Svensk Maskinprovning AB, Box 7035, SE-750 07 Uppsala, Sweden** elvégezte a megfeleléségi felmérést a 2000/14/EK irányelv VI. mellékletének megfelelően.

Huskvarna, 2020-10-20



Claes Losdal, Fejlesztési Igazgató/Kertművelési termékek (a Husqvarna AB hivatalos képviselője és a műszaki dokumentációk felelőse)

Sommario

Introduzione.....	186	Ricerca guasti del motore.....	196
Sicurezza.....	187	Trasporto, stoccaggio e smaltimento.....	197
Montaggio.....	190	Dati tecnici.....	198
Utilizzo.....	190	Dichiarazione di conformità CE.....	200
Manutenzione.....	192		

Introduzione

Descrizione del prodotto

Il prodotto è un rasaerba rotativo con operatore a piedi. Sui modelli LC 151, LC 151S, montare il raccogliherba per raccogliere l'erba. Montare il deflettore di scarico laterale per lo scarico laterale dell'erba. Per i modelli LC 151, LC 151S, agganciare un kit di mulching per tagliare l'erba da utilizzare come fertilizzante.

Uso previsto

Utilizzare il prodotto per tagliare l'erba. Non utilizzare il prodotto per altre attività.

Panoramica del prodotto

(Fig. 1)

1. Manubrio
2. Impugnatura del freno motore
3. Impugnatura di comando (LC 151S, LB 256SP)
4. Leva di azionamento (LB 251S)
5. Coperchio posteriore (LC 151, LC 151S)
6. Raccogliherba (LC 151, LC 151S)
7. Manopole per l'altezza dell'impugnatura
8. Leva altezza di taglio
9. Tappo dell'olio e astina di livello
10. Coperchio di scarico laterale
11. Marmitta
12. Candela
13. Carburatore
14. Tappo del serbatoio del carburante
15. Simboli
16. Coperchio di taglio
17. Filtro dell'aria
18. Deflettore laterale
19. Kit di mulching (accessorio per LC 151, LC 151S)
20. Impugnatura della fune di avviamento
21. Manuale operatore

(Fig. 4) Prestare attenzione a oggetti lanciati o rimbalzati.

(Fig. 5) Mantenere le persone e gli animali a una distanza di sicurezza dalla zona di lavoro.

(Fig. 6) Avvertenza: Tenere mani e piedi lontani dalla lama rotante.

(Fig. 7) Avvertenza: Tenere le mani e i piedi lontani dalle parti rotanti.

(Fig. 8) Arrestare il motore e rimuovere il cavo di accensione prima di effettuare interventi di riparazione o manutenzione.

(Fig. 9) Il presente prodotto è conforme alle vigenti direttive CEE.

(Fig. 10) Emissioni di rumore nell'ambiente in base alla direttiva della Comunità Europea. Le emissioni del prodotto sono indicate nel capitolo Dati tecnici e sull'etichetta.

(Fig. 11) Rischio di incendio.

(Fig. 12) Non respirare i fumi di scarico. I fumi di scarico del motore contengono monossido di carbonio, un gas inodore, velenoso e altamente pericoloso. Non avviare il motore in ambienti o spazi chiusi.

(Fig. 13) Superficie calda.

(Fig. 14) Rifornire il motore con olio prima di avviare il prodotto.

Simboli riportati sul prodotto

(Fig. 2) **AVVERTENZA!** prestare attenzione e utilizzare il prodotto correttamente. Il prodotto può causare gravi lesioni o morte dell'operatore o altre persone.

(Fig. 3) Prima dell'uso, leggere per intero il manuale dell'operatore e accertarsi di aver compreso le istruzioni.

Nota: Altri simboli o decalcomanie sul prodotto riguardano particolari requisiti necessari per la certificazione in determinate aree commerciali.

Responsabilità del prodotto

Come indicato nelle leggi vigenti in materia di responsabilità obbligatoria sul prodotto, non siamo responsabili per eventuali danni causati dal nostro prodotto se:

- Il prodotto viene riparato in modo errato.
- Il prodotto viene riparato con parti che non provengono o non sono omologate dal produttore.

- Il prodotto contiene un accessorio che non proviene o non è omologato dal produttore.
- Il prodotto non viene riparato presso un centro di assistenza autorizzato o presso un'autorità competente.

Emissioni Euro V



AVVERTENZA: La manomissione del motore rende nulla l'omologazione UE del prodotto.

Sicurezza

Definizioni di sicurezza

Le avvertenze, le precauzioni e le note sono utilizzate per evidenziare le parti importanti del manuale.



AVVERTENZA: Utilizzato se è presente un rischio di lesioni o morte dell'operatore o di passanti nel caso in cui le istruzioni del manuale non vengano rispettate.



ATTENZIONE: Utilizzato se è presente un rischio di danni al prodotto, ad altri materiali oppure alla zona adiacente nel caso in cui le istruzioni del manuale non vengano rispettate.

Nota: Utilizzato per fornire ulteriori informazioni necessarie in una determinata situazione.

Istruzioni di sicurezza generali



AVVERTENZA: Leggere le seguenti avvertenze prima di utilizzare il prodotto.

- Questo prodotto è pericoloso se utilizzato in maniera impropria o se non si presta attenzione. La mancata osservanza delle istruzioni di sicurezza può causare lesioni anche fatali.
- Durante il funzionamento, questo prodotto genera un campo elettromagnetico. Tale campo può interferire, in alcuni casi, con persone portatrici di impianti medici attivi o passivi. Per ridurre il rischio di condizioni che possono implicare lesioni gravi o mortali, i portatori di tali impianti devono consultare il proprio medico e il produttore dell'impianto prima di utilizzare questo prodotto.
- Usare la massima cautela e il buon senso. Se non si è sicuri di come utilizzare il prodotto in una particolare situazione, fermarsi e rivolgersi al proprio rivenditore Husqvarna prima di continuare.

- Tenere presente che l'operatore potrà essere ritenuto responsabile di eventuali incidenti che coinvolgano altre persone o i loro beni.
- Tenere pulito il prodotto. Assicurarsi che sia possibile leggere chiaramente simboli e decalcomanie.
- Non consentire ad altre persone di utilizzare il prodotto se non si è sicuri che abbiano letto e compreso il contenuto del Manuale dell'operatore.
- Non consentire ai bambini di utilizzare il prodotto.
- Tenere i bambini lontani dall'area di lavoro. È necessaria sempre la supervisione di un adulto responsabile.
- Non permettere a chiunque non conosca le istruzioni di utilizzare il prodotto.
- Controllare sempre qualsiasi persona, dalle capacità fisiche o mentali ridotte, che utilizzi il prodotto. È necessaria sempre la supervisione di un adulto responsabile.
- Non utilizzare l'apparecchio quando si è stanchi, ammalati o sotto effetto di alcool, farmaci o medicinali. Essi potrebbero compromettere la vista, l'attenzione, il coordinamento e il giudizio.
- Se difettoso, non utilizzare il prodotto.
- Non modificare il prodotto né utilizzarlo nel caso in cui vi sia la possibilità che sia stato modificato da altri.
- Non modificare la regolazione per il controllo del regime motore.

Sicurezza dell'area di lavoro



AVVERTENZA: Leggere le seguenti avvertenze prima di utilizzare il prodotto.

- Rimuovere oggetti quali rami, ramoscelli o pietre dall'area di lavoro prima di utilizzare il prodotto.
- Gli oggetti che urtano contro l'attrezzatura di taglio potrebbero essere proiettati e causare danni a cose e persone. Mantenere persone e animali a una distanza di sicurezza dal prodotto.

- Non utilizzare mai il prodotto in condizioni meteorologiche avverse quali nebbia, pioggia, vento forte, freddo intenso e rischio di fulmini. L'uso del prodotto in condizioni meteorologiche avverse o in ambienti umidi è stancante. Condizioni meteorologiche avverse possono causare situazioni di pericolo quali superfici scivolose.
- Prestare attenzione a persone, cose e situazioni che possono impedire un utilizzo sicuro del prodotto.
- Prestare attenzione a ostacoli quali radici, pietre, ramoscelli, fossi e avvallamenti. L'erba alta può nascondere eventuali ostacoli.
- Tagliare l'erba in pendenza può risultare pericoloso. Non utilizzare il prodotto su terreni con pendenze superiori a 15°.
- Utilizzare il prodotto trasversalmente lungo i pendii. Non spostarsi seguendo tragitti verso l'alto e verso il basso.
- Prestare attenzione in prossimità di angoli e oggetti nascosti che potrebbero ostacolare la visuale.
- Collocarsi sempre posteriormente al prodotto quando lo si utilizza.
- Consentire a tutte le ruote di restare a contatto con il suolo e tenere le 2 mani sull'impugnatura mentre si aziona il prodotto. Tenere mani e piedi lontani dalle lame rotanti.
- Non ribaltare il prodotto a motore acceso.
- Prestare attenzione quando si tira il prodotto verso di sé.
- Non sollevare mai il prodotto a motore avviato. Se si deve sollevare il prodotto, arrestare innanzitutto il motore e scollegare il cavo di accensione dalla candela.
- Non camminare all'indietro quando si utilizza il prodotto.
- Arrestare il motore quando si attraversano zone prive d'erba quali vialetti in ghiaia, pietra e asfalto.
- Non correre con il prodotto quando il motore è acceso. Camminare sempre durante l'utilizzo del prodotto.
- Spegnerne il motore prima di apportare qualsiasi modifica all'altezza di taglio. Non effettuare mai regolazioni a motore acceso.
- Non perdere mai di vista il prodotto quando il motore è acceso. Arrestare il motore e assicurarsi che l'attrezzatura di taglio non giri.

Sicurezza sul lavoro



AVVERTENZA: Leggere le seguenti avvertenze prima di utilizzare il prodotto.

- Utilizzare il prodotto esclusivamente per tagliare il prato. Non è consentito utilizzare il prodotto per altri scopi.
- Usare sempre abbigliamento protettivo personale. Vedere *Abbigliamento protettivo personale alla pagina 188*.
- Assicurarsi di saper spegnere il motore rapidamente in caso di emergenza.
- Non avviare il motore in uno spazio chiuso o in prossimità di materiali infiammabili. I fumi di scarico del motore sono molto caldi e possono contenere scintille in grado di provocare incendi.
- Non azionare il prodotto senza prima aver montato correttamente la lama e tutti i coperchi. Una lama non correttamente fissata potrebbe allentarsi e causare lesioni personali.
- Assicurarsi che la lama non urti oggetti quali pietre e radici. Ciò potrebbe provocare danni alla lama e piegare l'albero motore. Un'asse piegato provoca forti vibrazioni e un alto rischio di allentamento della lama.
- Qualora la lama urti contro un oggetto o all'insorgere di vibrazioni arrestare immediatamente il prodotto. Staccare il cavo di accensione dalla candela. Verificare la presenza di eventuali danni al prodotto. Riparare eventuali danni o contattare un'officina autorizzata per far svolgere la riparazione.
- Non fissare l'impugnatura del freno motore in modo permanente al manubrio quando il motore è avviato.
- Posizionare il prodotto su una superficie piana e stabile e avviarlo. Assicurarsi che la lama non venga a contatto con il terreno o con altri oggetti.

Istruzioni di sicurezza per il funzionamento

Abbigliamento protettivo personale



AVVERTENZA: Leggere le seguenti avvertenze prima di utilizzare il prodotto.

- L'uso di abbigliamento protettivo personale non elimina il rischio di lesioni, ma ne riduce la gravità in caso di incidente. Farsi consigliare dal rivenditore per la scelta dell'attrezzatura adatta.
- Utilizzare protezioni per le orecchie se il livello di rumore è superiore a 85 dB.
- Utilizzare robusti stivali o scarpe antiscivolo. Non utilizzare il prodotto con calzature aperte o a piedi nudi.
- Utilizzare pantaloni lunghi di tessuto pesante.
- Indossare guanti protettivi ove necessario, ad esempio per montare, ispezionare o pulire l'attrezzatura di taglio.

Dispositivi di sicurezza sul prodotto



AVVERTENZA: Leggere le seguenti avvertenze prima di utilizzare il prodotto.

- Non utilizzare un prodotto con dispositivi di sicurezza difettosi.

- Effettuare un controllo dei dispositivi di sicurezza con regolarità. Se i dispositivi di sicurezza sono difettosi, rivolgersi alla propria officina Husqvarna.

Controllo del coperchio di taglio

Il coperchio di taglio riduce le vibrazioni del prodotto e il rischio di ferirsi con la lama.

- Esaminare il coperchio di taglio per accertarsi che non presenti danni quali crepe.

Controllo dell'impugnatura del freno motore

L'impugnatura del freno motore arresta il motore.

Quando si rilascia l'impugnatura del freno motore, il motore si arresta.

- Avviare il motore, quindi rilasciare l'impugnatura del freno motore. Se il motore non si arresta entro 3 secondi, far regolare il freno motore presso un'officina Husqvarna autorizzata. (Fig. 15)

Controllo del coperchio posteriore

Il deflettore posteriore riduce il rischio che gli oggetti vengano scagliati nella direzione dell'operatore.

- Assicurarsi che il coperchio posteriore non sia danneggiato.
- Assicurarsi che le molle che chiudono il coperchio posteriore non siano danneggiate.
- Sostituire le molle e le parti danneggiate.
- Assicurarsi che il coperchio posteriore possa muoversi agevolmente sulle cerniere.

Marmitta

La marmitta assicura il minimo livello acustico e allontana i fumi di scarico dall'operatore.

Non utilizzare il prodotto se la marmitta è mancante o difettosa. Una marmitta difettosa aumenta il livello acustico e il rischio di incendio.



AVVERTENZA: La marmitta si surriscalda durante e dopo l'uso e quando il motore funziona al regime minimo. Prestare attenzione in prossimità di materiali infiammabili e/o fumi per evitare incendi.

Controllo della marmitta

- Esaminare la marmitta periodicamente per assicurarsi che sia collegata correttamente e che non sia danneggiata.

Sicurezza nell'uso del carburante



AVVERTENZA: Leggere le seguenti avvertenze prima di utilizzare il prodotto.

- Non avviare il prodotto nel caso in cui vi sia carburante o olio motore su di esso. Rimuovere il

carburante/olio indesiderato e lasciare che il prodotto si asciughi.

- In caso di perdite di carburante sugli indumenti, cambiarsi immediatamente.
- Il carburante non deve arrivare a contatto con il corpo, poiché può causare lesioni. In caso di contatto del carburante con il corpo, rimuoverlo con acqua e sapone.
- Non avviare il prodotto se il motore presenta una perdita. Esaminare regolarmente il motore per verificare la presenza di eventuali perdite.
- Prestare la massima attenzione con il carburante. Il carburante è infiammabile e i fumi sono esplosivi quindi possono causare lesioni o morte.
- Non respirare i fumi del carburante perché possono causare lesioni. Accertarsi che ci sia un flusso d'aria sufficiente.
- Non fumare in prossimità del carburante o del motore.
- Non posizionare oggetti caldi in prossimità del carburante o del motore.
- Non aggiungere carburante a motore acceso.
- Assicurarsi che il motore sia freddo prima di effettuare il rifornimento.
- Prima di effettuare il rifornimento, aprire lentamente il tappo del serbatoio del carburante e rilasciare la pressione con cautela.
- Non aggiungere carburante al motore in un ambiente chiuso. Un flusso d'aria insufficiente può causare lesioni o la morte dovute ad asfissia o al monossido di carbonio.
- Stringere completamente il tappo del serbatoio del carburante. Se il tappo del serbatoio carburante non è serrato, vi è il rischio di incendio.
- Prima dell'avviamento, spostare il prodotto di almeno 3 m/10 ft dal punto in cui è stato riempito il serbatoio del carburante.
- Non riempire completamente il serbatoio del carburante. Il calore provoca l'espansione del carburante. Lasciare dello spazio nella parte superiore del serbatoio del carburante.

Istruzioni di sicurezza per la manutenzione



AVVERTENZA: Leggere le seguenti avvertenze prima di utilizzare il prodotto.

- I fumi di scarico del motore contengono monossido di carbonio, un gas inodore, velenoso e altamente pericoloso. Non avviare il motore in ambienti o spazi chiusi.
- Prima di eseguire la manutenzione del prodotto, arrestare il motore e rimuovere il cavo di accensione dalla candela.

- Indossare guanti protettivi quando si esegue la manutenzione dell'attrezzatura di taglio. La lama è molto affilata e ci si può ferire facilmente.
- Accessori e modifiche apportate al prodotto che non siano stati approvati dal costruttore possono causare infortuni gravi, anche fatali. Non apportare modifiche al prodotto. Utilizzare sempre accessori approvati dal produttore.
- Se la manutenzione non viene eseguita correttamente e con regolarità, aumenta il rischio di lesioni personali e danni al prodotto.
- Eseguire esclusivamente gli interventi di manutenzione riportati nel presente manuale. Tutti gli altri interventi di manutenzione devono essere svolti da un'officina Husqvarna autorizzata.
- Rivolgersi a un'officina Husqvarna autorizzata per far svolgere regolarmente interventi di manutenzione sul prodotto.
- Sostituire le parti danneggiate, usurate o rotte.

Montaggio

Introduzione



AVVERTENZA: Prima di assemblare il prodotto, leggere e comprendere il capitolo sulla sicurezza.



AVVERTENZA: Rimuovere il cavo della candela dalla candela prima di assemblare il prodotto.

Montaggio dell'impugnatura

1. Spingere la vite (A) attraverso l'impugnatura (B), la rondella in plastica (C) e la staffa di supporto dell'impugnatura (D). (Fig. 16)
2. Serrare completamente il dado (E).
3. Spingere la vite (F) attraverso la rondella (G) e sulla staffa di supporto dell'impugnatura. (Fig. 17)
4. Serrare completamente la manopola (H).

Regolazione dell'impugnatura

1. Allentare le manopole inferiori.
2. Spostare le manopole verso l'estremità inferiore delle scanalature dei lati sinistro e destro del prodotto. (Fig. 18)
3. Impostare l'altezza dell'impugnatura su una delle 2 posizioni disponibili.
4. Spostare le manopole verso l'alto in direzione dell'impugnatura fino a quando un clic ne segnala l'arresto. (Fig. 19)

5. Stringere completamente le manopole.

Per predisporre il prodotto in posizione di trasporto

1. Allentare le manopole inferiori.
2. Spostare le manopole verso l'estremità inferiore delle scanalature dei lati sinistro e destro del prodotto. (Fig. 18)
3. Ripiegare l'impugnatura in avanti. (Fig. 20)

Per fissare il prodotto in posizione di funzionamento

1. Ripiegare l'impugnatura in posizione eretta. (Fig. 21)
2. Spostare le manopole verso l'alto in direzione dell'impugnatura fino a quando un clic ne segnala l'arresto. (Fig. 19)
3. Stringere completamente le manopole.

Per assemblare il raccogliherba (LC 151, LC 151S)

1. Fissare il telaio del raccogliherba al relativo sacco con la parte rigida di quest'ultimo posta in basso. Tenere l'impugnatura del telaio all'esterno del lato superiore del sacco. (Fig. 22)
2. Fissare il sacco per l'erba al telaio utilizzando i fermi. (Fig. 23)

Utilizzo

Introduzione



AVVERTENZA: Prima di utilizzare il prodotto, è necessario leggere e comprendere il capitolo relativo alla sicurezza.

Husqvarna Connect

Husqvarna Connect è un'app gratuita per i dispositivi mobili. L'app Husqvarna Connect fornisce funzioni estese per il prodotto Husqvarna:

- Informazioni aggiuntive sul prodotto.
- Dettagli, guida, parti del prodotto e manutenzione.

Primo utilizzo Husqvarna Connect

1. Scaricare l'app Husqvarna Connect sul proprio dispositivo mobile.
2. Registrarsi nell'app Husqvarna Connect.
3. Attenersi alle istruzioni dell'app Husqvarna Connect per collegare e registrare il prodotto.

Prima di utilizzare il prodotto

1. Leggere il Manuale dell'operatore con attenzione e accertarsi di averne compreso il contenuto.
2. Esaminare l'attrezzatura di taglio per assicurarsi che sia correttamente collegata e regolata. Vedere *Per controllare l'attrezzatura di taglio alla pagina 194*.
3. Riempire il serbatoio del carburante. Vedere *Per il rifornimento del carburante alla pagina 191*.
4. Riempire il serbatoio dell'olio ed effettuare il controllo del livello dell'olio. Vedere *Per eseguire il controllo del livello dell'olio alla pagina 194*.

Per il rifornimento del carburante

Se disponibile, utilizzare benzina alchilata/a basso livello di emissioni. Se non è disponibile benzina alchilata/a basso livello di emissioni, utilizzare una benzina senza piombo di buona qualità o una benzina contenente piombo con un numero di ottani non inferiore a 90.



ATTENZIONE: Non utilizzare mai benzina con un numero di ottani inferiore a 90 RON (87 AKI). Ciò può causare danni al prodotto.

1. Aprire lentamente il tappo del serbatoio del carburante per rilasciare la pressione.
2. Riempire lentamente il serbatoio con una tanica di carburante. Se si versa del carburante, rimuoverlo con un panno e lasciare asciugare eventuali residui. (Fig. 24)
3. Pulire l'area intorno al tappo del serbatoio del carburante.
4. Stringere completamente il tappo del serbatoio del carburante. Se il tappo del serbatoio carburante non è serrato, vi è il rischio di incendio.
5. Prima dell'avviamento, spostare il prodotto di almeno 3 m (10 ft) dal punto in cui è stato riempito il serbatoio del carburante.

Per impostare l'altezza di taglio

1. Per aumentare l'altezza di taglio, spingere la leva dell'altezza di taglio all'indietro.
2. Per diminuire l'altezza di taglio, spingere la leva dell'altezza di taglio in avanti. (Fig. 25)



ATTENZIONE: Non impostare l'altezza di taglio troppo in basso. Se la superficie del prato non è piana, le lame possono urtare il terreno.

Per avviare il prodotto

1. Accertarsi che il cavo di accensione sia collegato alla candela.
2. Collocarsi dietro il prodotto.
3. Tenere l'impugnatura del freno motore contro il manubrio. (Fig. 26)
4. Tenere l'impugnatura della fune di avviamento con la mano destra.
5. Estrarre lentamente l'impugnatura della fune di avviamento fino a che non si avverte una leggera resistenza.
6. Tirare con forza per avviare il motore.



AVVERTENZA: Non avvolgere la fune di avviamento intorno alla mano.

Per applicare trazione alle ruote LC 151S & LB 256SP

- Premere l'impugnatura di comando in direzione del manubrio. (Fig. 27)
- Rilasciare l'impugnatura di comando per disinnestare la trazione, ad esempio quando ci si avvicina a un ostacolo.
- Prima di tirare il prodotto verso di sé, disinnestare la trazione e spingere il prodotto in avanti di circa 10 cm.

Per applicare trazione alle ruote (LB 251S)

- Tirare la leva di comando verso il manubrio. (Fig. 28)
- Spingere la leva di comando lontano dal manubrio per disinnestare la trazione, ad esempio quando ci si avvicina a un ostacolo.

Nota: La leva di comando si disinnesta anche quando si rilascia la leva del freno motore.

- Prima di tirare il prodotto all'indietro, spingere la leva di comando allontanandola dal manubrio e spingere il prodotto in avanti di circa 10 cm per disinnestare completamente la trazione.

Arresto del prodotto

- Per arrestare solo la trazione, rilasciare la staffa di azionamento (LC 151S, LB 256SP) o la leva di comando (LB 251S).
- Per spegnere il motore, rilasciare l'impugnatura del freno motore.

Utilizzo del prodotto con il raccoglierba (LC 151, LC 151S)



AVVERTENZA: Non utilizzare il prodotto senza aver installato un raccoglierba o senza aver chiuso il coperchio posteriore. Gli oggetti possono essere scagliati e causare lesioni all'operatore.

1. Sollevare il coperchio posteriore e rimuovere la spina di pacciamatura, se installata. (Fig. 29)
2. Montare il raccoglierba, fare riferimento a *Per assemblare il raccoglierba (LC 151, LC 151S) alla pagina 190.*
3. Posizionare il raccoglierba sulla staffa.
4. Rilasciare il coperchio posteriore e appoggiarlo sul lato superiore del telaio del sacco per l'erba. (Fig. 30)

Passaggio del prodotto alla modalità di pacciamatura (LC 151, LC 151S)

Assicurarsi che il motore sia spento prima di passare il prodotto alla modalità di pacciamatura.

1. Sollevare il coperchio posteriore e rimuovere il raccoglierba, se installato.
2. Inserire la spina di pacciamatura nel canale di scarico. (Fig. 31)
3. Chiudere il coperchio posteriore e accertarsi che sia chiuso saldamente sulla spina di pacciamatura.
4. Sostituire la lama con la lama di pacciamatura fornita nel kit di pacciamatura. Consultare *Per sostituire la lama alla pagina 194.*

Passaggio del prodotto alla modalità di scarico laterale

1. Sollevare il coperchio posteriore e rimuovere il sacco per l'erba, se installato.
2. Chiudere il coperchio posteriore e accertarsi che sia chiuso saldamente sul prodotto.

3. Sollevare il blocco di scarico. (Fig. 32)
4. Aprire la copertura dello scarico laterale e installare il deflettore di scarico laterale sui perni di supporto. (Fig. 33)
5. Lasciare che la copertura di scarico laterale aderisca al deflettore di scarico laterale. Accertarsi che il deflettore di scarico laterale sia fissato in posizione prima di azionare il prodotto.

Svuotamento del raccoglierba



ATTENZIONE: Sollevare il raccoglierba quando lo si sposta per evitare che si usuri.

1. Sollevare il raccoglierba utilizzando l'impugnatura del telaio.
2. Utilizzare l'impugnatura del telaio e quella del sacco quando si svuota il raccoglierba. (Fig. 34)

Per ottenere un buon risultato

- Utilizzare sempre una lama ben affilata. Una lama non tagliente fornisce un risultato irregolare e la superficie di taglio dell'erba ingiallisce. Una lama affilata inoltre consuma minore energia di una lama affilata.
- Non tagliare più di $\frac{1}{3}$ dell'altezza dell'erba. Applicare l'altezza di taglio massima quando si inizia a tagliare l'erba. Esaminare il risultato e ridurre l'altezza di taglio al livello applicabile. Se l'erba è molto alta, procedere lentamente e tagliarla 2 volte, se necessario.
- Tagliare sempre in direzioni diverse per evitare il formarsi di strisce sul prato.
- Sollevare il coperchio posteriore e rimuovere il raccoglierba.
- Se sono collegate una spina e una lama di pacciamatura, rimuoverle.
- Chiudere il coperchio posteriore prima di azionare il prodotto. Durante l'utilizzo del prodotto, l'erba tagliata si scarica sotto il coperchio posteriore.

Manutenzione

Introduzione



AVVERTENZA: Prima di svolgere la manutenzione, leggere e comprendere il capitolo relativo alla sicurezza.

Per tutti gli interventi di assistenza e riparazione sul prodotto, è necessaria una formazione specifica. La nostra azienda garantisce la disponibilità di personale qualificato per le riparazioni e l'assistenza. Se non avete acquistato il prodotto presso un rivenditore dotato di officina, informatevi sull'ubicazione della più vicina officina autorizzata.

Programma di manutenzione



ATTENZIONE: Accertarsi che il filtro dell'aria sia in alto e non a terra quando si inclina il prodotto. Rischio di avarie al motore.

Gli intervalli di manutenzione sono calcolati sulla base di un uso quotidiano del prodotto. Gli intervalli cambiano se il prodotto non viene usato quotidianamente.

Per gli interventi di manutenzione contrassegnati con il simbolo *, vedere le istruzioni in *Dispositivi di sicurezza sul prodotto alla pagina 188.*

Manutenzione	Giornaliera	Una volta al mese	Ogni stagione
Svolgere un'ispezione generale	X		
Controllare il livello dell'olio	X		
Cambiare l'olio (la prima volta dopo 5 ore di funzionamento, successivamente dopo ogni 50 ore) ⁸⁵			X
Pulire il prodotto	X		
Controllare l'attrezzatura di taglio	X		
Controllare il coperchio di taglio *	X		
Controllare l'impugnatura del freno motore *	X		
Controllare la marmitta *		X	
Esaminare la candela. Pulire o sostituire la candela secondo necessità.			X
Controllare il filtro dell'aria	X		
Pulire il filtro dell'aria ⁸⁶		X	
Sostituire il filtro dell'aria			X
Controllare il sistema di alimentazione			X
Pulire le alette di raffreddamento sul cilindro		X	
Controllare e regolare il cavo della frizione (LC 151S, LB 251S, LB 256SP)			X
Pulire sotto il coperchio della trasmissione (LB 251S)			X

Ispezione generale

- Controllare che tutti i dadi e le viti del prodotto siano serrati correttamente.

Per pulire esternamente il prodotto

- Utilizzare una spazzola per rimuovere foglie, erba e sporcizia.
- Assicurarsi che la presa d'aria nella parte superiore del motore non sia ostruita.
- Non utilizzare una lancia ad alta pressione per pulire il prodotto.
- Se si utilizza dell'acqua per pulire il prodotto, non versare l'acqua direttamente sul motore.

Per pulire la superficie interna del coperchio di taglio

1. Svuotare il serbatoio del carburante.

2. Inclinare il prodotto. Assicurarsi che la candela sia rivolta verso l'alto.



ATTENZIONE: Se il prodotto è stato collocato con il filtro dell'aria rivolto verso il basso, il motore potrebbe danneggiarsi.

3. Lavare la superficie interna del coperchio di taglio con acqua.

Pulizia sotto il coperchio della trasmissione (LB 251S)

1. Svuotare il serbatoio del carburante.
2. Inclinare il prodotto. Assicurarsi che la candela sia rivolta verso l'alto.



ATTENZIONE: Se il prodotto è stato collocato con il filtro dell'aria rivolto verso

⁸⁵ Se il prodotto viene utilizzato con carichi pesanti o a temperature ambiente elevate, sostituire l'olio motore ogni 25 ore.

⁸⁶ Pulire più spesso in ambienti polverosi o in presenza di detriti trasportati dall'aria. Sostituire il filtro dell'aria, se è molto sporco.

il basso, il motore potrebbe danneggiarsi.

3. Svitare le 7 viti. (Fig. 35)
4. Rimuovere il coperchio della trasmissione.
5. Pulire la superficie con una spazzola.



ATTENZIONE: L'acqua o la contaminazione sotto il coperchio della trasmissione può causare danni alla trasmissione.

6. Montare il coperchio della trasmissione e le 7 viti.

Per controllare l'attrezzatura di taglio



AVVERTENZA: Per evitare l'avviamento accidentale del prodotto, rimuovere il cavo di accensione dalla candela.



AVVERTENZA: Indossare guanti protettivi quando si esegue la manutenzione dell'attrezzatura di taglio. La lama è molto affilata e ci si può ferire facilmente.

1. Controllare l'attrezzatura di taglio per individuare danni o crepe. Sostituire sempre l'attrezzatura di taglio danneggiata.
2. Osservare la lama per controllare che non sia danneggiata o usurata.

Nota: Dopo l'affilatura la lama deve essere bilanciata. Rivolgersi a un centro assistenza per l'affilatura, la sostituzione e il bilanciamento. Se si urta un ostacolo che provoca l'arresto del prodotto, sostituire la lama danneggiata. Il centro di assistenza può valutare se la lama può essere affilata o deve essere sostituita.

Per sostituire la lama

1. Bloccare la lama con un blocco di legno. (Fig. 36)
2. Rimuovere il bullone della lama.
3. Rimuovere la lama.
4. Esaminare il supporto e il bullone della lama per verificare la presenza di eventuali danni.
5. Esaminare l'albero motore per accertarsi che non sia piegato.
6. Quando si fissa la nuova lama, assicurarsi che le estremità inclinate della lama puntino in direzione del coperchio di taglio. (Fig. 37)
7. Assicurarsi che la lama sia allineata con il centro dell'albero motore.
8. Bloccare la lama con un blocco di legno. Inserire la rondella reggispinta e serrare il bullone e la rondella a una coppia di 43 – 47 Nm. (Fig. 38)
9. Girare manualmente la lama per verificare che possa ruotare liberamente.



AVVERTENZA: Utilizzare dei guanti da lavoro spessi. La lama è molto affilata e ci si può ferire facilmente.

10. Avviare il prodotto per eseguire una prova della lama. Se la lama non è collegata correttamente, si verificano delle vibrazioni nel prodotto o il risultato del taglio è insoddisfacente.

Per eseguire il controllo del livello dell'olio



ATTENZIONE: Se il livello dell'olio è troppo basso si possono verificare danni al motore. Controllare il livello dell'olio prima di avviare il prodotto.

1. Posizionare il prodotto su un terreno in piano.
2. Rimuovere il tappo del serbatoio dell'olio con l'annessa asta di livello.
3. Pulire l'olio dall'asta di livello.
4. Inserire l'asta di livello interamente all'interno del serbatoio dell'olio per avere un'immagine corretta del livello dell'olio.
5. Rimuovere l'asta di livello.
6. Controllare il livello dell'olio sull'asta di livello.
7. Se il livello dell'olio è basso, rabboccare con olio motore ed eseguire nuovamente un controllo del livello dell'olio.

Cambio dell'olio motore



AVVERTENZA: L'olio motore è molto caldo subito dopo lo spegnimento del motore. Lasciare che il motore si raffreddi prima di scaricare l'olio motore. Se si versa accidentalmente dell'olio motore sulla pelle, lavare con acqua e sapone.

(Fig. 39)

1. Azionare il prodotto fino a quando il serbatoio carburante è vuoto.
2. Rimuovere il cavo di accensione dalla candela.
3. Rimuovere il tappo del serbatoio dell'olio.
4. Posizionare un recipiente sotto il prodotto per raccogliervi l'olio motore.
5. Inclinare il prodotto per scaricare l'olio motore dal serbatoio dell'olio.
6. Riempire con nuovo olio motore del tipo raccomandato in *Dati tecnici alla pagina 198*.
7. Eseguire il controllo del livello dell'olio. Fare riferimento a *Per eseguire il controllo del livello dell'olio alla pagina 194*.

Per esaminare la candela



ATTENZIONE: Usare candele originali o del tipo raccomandato. Un tipo di candela errato può danneggiare il prodotto.

- Controllare la candela nel caso in cui il motore giri a bassa potenza, risulti difficile da avviare o non funzioni correttamente al regime minimo.
- Per ridurre il rischio di accumulo di materiale superfluo sugli elettrodi delle candele, osservare le seguenti istruzioni:
 - a) Accertarsi che il regime minimo sia regolato correttamente.
 - b) Accertarsi che la miscela sia corretta.
 - c) Accertarsi che il filtro dell'aria sia pulito.
- Se la candela è incrostata, pulirla e controllare che la distanza tra gli elettrodi sia corretta; vedere *Dati tecnici alla pagina 198*. (Fig. 40)
- Sostituire la candela secondo necessità.

Filtro dell'aria

Un filtro dell'aria sporco può causare danni al motore e impedirne il corretto funzionamento. Eseguire la manutenzione del filtro dell'aria con maggiore frequenza in caso di utilizzo in ambienti polverosi. Fare riferimento a *Manutenzione alla pagina 192* per informazioni su come sostituire il filtro dell'aria.

Nota: Sostituire sempre un filtro dell'aria danneggiato.

Rimozione e installazione del filtro dell'aria



AVVERTENZA: Usare guanti protettivi.

1. Spingere i fermi sul coperchio del filtro dell'aria.
2. Rimuovere con cautela il coperchio del filtro dell'aria (A) dal motore.
3. Rimuovere il filtro dell'aria (B). (Fig. 41)
4. Controllare la presenza di eventuali danni al filtro dell'aria. Sostituire un filtro dell'aria danneggiato.
5. Pulire e esaminare il filtro dell'aria. Fare riferimento a *Pulizia del filtro dell'aria alla pagina 195*.
6. Montare, seguendo i passaggi nell'ordine inverso.

Pulizia del filtro dell'aria

Un filtro dell'aria sporco può causare danni al motore e impedirne il corretto funzionamento. Eseguire la manutenzione del filtro dell'aria con maggiore frequenza in caso di utilizzo in ambienti polverosi.

Vedere *Manutenzione alla pagina 192* per informazioni su come sostituire il filtro dell'aria.

1. Rimuovere il coperchio e il filtro dell'aria.

2. Pulire il filtro battendolo contro una superficie piatta. Non usare solventi con petrolio, cherosene o aria compressa per pulire il filtro.

Nota: I filtri dell'aria utilizzati per lungo tempo non possono essere puliti completamente. Sostituire il filtro dell'aria a intervalli regolari. I filtri dell'aria danneggiati devono essere sempre sostituiti.

3. Quando si monta il filtro dell'aria, accertarsi che sia completamente inserito nel portafiltro.

Controllo del deflettore di scarico laterale

Il deflettore di scarico laterale è collegato all'apertura di scarico laterale del prodotto. Esso riduce i rischi di lancio di oggetti verso la posizione di taglio dell'operatore.

1. Assicurarsi che il deflettore di scarico laterale non sia danneggiato.
2. Esaminare il deflettore di scarico laterale. Accertarsi che non presenti difetti, come crepe o molle danneggiate che spingono lo sportello a chiudersi.
3. Sostituire il deflettore di scarico laterale o le molle se sono danneggiate.

Per controllare il sistema di alimentazione

- Esaminare il tappo del serbatoio del carburante e la relativa guarnizione di tenuta per verificare che non vi siano danni.
- Esaminare il tubo pescante per accertarsi che non presenti perdite. Se il tubo pescante è danneggiato, farlo sostituire presso un'officina.

Per regolare il filo della frizione (LC 151S, LB 251S, LB 256SP)

Nelle situazioni di seguito riportate, è necessario accorciare il filo della frizione:

- la trazione delle ruote non si avvia quando si tira la staffa di azionamento o la leva di controllo del regime;
- il prodotto si muove lentamente quando si avvia la trazione delle ruote.

Nelle situazioni di seguito riportate, è necessario allungare il filo della frizione:

- il prodotto si muove senza aver avviato la trazione delle ruote.
- Regolare il filo della frizione.
 - a) Per accorciare il filo della frizione, avvitare in senso antiorario la vite di regolazione.
 - b) Per allungare il filo della frizione, avvitare la vite di regolazione in senso orario. (Fig. 42)

Se il prodotto continua ad avere problemi di trazione, contattare il centro di assistenza.

Ricerca guasti del motore

Problema	Possibile causa	Soluzione
Il motore non si avvia.	Il cavo di accensione non è collegato correttamente.	Collegare il cavo di accensione alla candela.
	Il serbatoio del carburante è vuoto.	Riempire il serbatoio del carburante con il corretto tipo di carburante.
	Il carburante è vecchio.	Svuotare il serbatoio del carburante e il carburatore. Rifornire con benzina nuova.
	È presente dello sporco nel carburatore o nel tubo del carburante.	Pulire il carburatore e/o la tubazione del carburante.
	La candela è difettosa.	Regolare la distanza tra gli elettrodi, pulire o sostituire la candela.
	È presente del carburante sulla candela.	Pulire la candela.
Il motore non si spegne.	Il meccanismo di arresto è difettoso	Staccare il cavo di accensione dalla candela. Affidare la riparazione del prodotto a un'officina autorizzata.
Il motore gira in maniera irregolare.	Il cavo di accensione non è collegato correttamente.	Collegare il cavo di accensione alla candela.
	È presente sporcizia nella tubazione del carburante o il carburante è scaduto.	Pulire il tubo del carburante. Riempire il serbatoio del carburante con carburante nuovo del tipo corretto.
	È presente carburante nel tappo del serbatoio del carburante.	Pulire il tappo del serbatoio del carburante.
	Presenza di acqua o sporcizia nel sistema di alimentazione.	Svuotare il serbatoio del carburante. Riempire il serbatoio del carburante con carburante nuovo del tipo corretto.
	Il filtro dell'aria è sporco.	Pulire il filtro dell'aria.
	Il carburatore deve essere regolato.	Affidare la regolazione del carburatore all'officina di manutenzione.
Il motore si è surriscaldato.	Il livello dell'olio motore è insufficiente.	Rabboccare l'olio motore
	Il flusso d'aria non è sufficiente.	Pulire il filtro dell'aria e il relativo alloggiamento.
	Il carburatore deve essere regolato.	Affidare la regolazione del carburatore all'officina di manutenzione.
Si verifica un'accensione irregolare nel motore quando gira ad alta velocità.	La distanza tra gli elettrodi nella candela è troppo piccola.	Regolare la distanza tra gli elettrodi.
Rumori insoliti provenienti dal motore durante il carico normale.	Tipo di benzina non corretto.	Svuotare il serbatoio del carburante e il carburatore. Rifornire con benzina nuova. Fare riferimento a <i>Per il rifornimento del carburante alla pagina 191</i> . Se il problema persiste, rivolgersi al rivenditore di zona.

Problema	Possibile causa	Soluzione
Il motore non gira regolarmente al regime minimo.	La candela è sporca, difettosa o la distanza tra gli elettrodi è eccessiva.	Regolare la distanza tra gli elettrodi o sostituire la candela.
	Il carburatore deve essere regolato.	Regolare il carburatore.
	Il filtro dell'aria è sporco.	Pulire il filtro dell'aria.

Trasporto, stoccaggio e smaltimento

Trasporto e conservazione

- Per trasportare e conservare il prodotto e il carburante, accertarsi che non vi siano perdite o fumi. Scintille o fiamme aperte, provocate ad esempio da dispositivi elettrici o caldaie, possono innescare un incendio.
- Utilizzare sempre contenitori approvati per la conservazione e il trasporto del carburante.
- Svuotare il serbatoio del carburante prima di riporre il prodotto per un lungo periodo di tempo. Smaltire il carburante presso un apposito centro di smaltimento
- Fissare in sicurezza il prodotto durante il trasporto per evitare danni o incidenti.
- Conservare il prodotto in un'area chiusa a chiave per impedire l'accesso a bambini o persone non autorizzate.
- Conservare il prodotto in un luogo asciutto e al riparo dal gelo.

Smaltimento

- Rispettare le norme locali sul riciclaggio e le normative vigenti.
- Smaltire tutte le sostanze chimiche, quali olio motore o carburante, presso un centro assistenza o un centro di smaltimento applicabili.
- Quando il prodotto non è più in uso, inviarlo a un rivenditore Husqvarna o smaltirlo presso un impianto di riciclo.

Dati tecnici

Dati tecnici

	LC 151	LC 151S	LB 251S	LB 256SP
Motore				
Marchio	Husqvarna	Husqvarna	Husqvarna	Husqvarna
Tipo di motore	Cilindro singolo, 4 tempi, raffreddamento ad aria forzata, OHV	Cilindro singolo, 4 tempi, raffreddamento ad aria forzata, OHV	Cilindro singolo, 4 tempi, raffreddamento ad aria forzata, OHV	Cilindro singolo, 4 tempi, raffreddamento ad aria forzata, OHV
Cilindrata, cm ³	166	166	166	166
Velocità, giri/min	2800	2800	2800	2800
Potenza nominale motore, kW ⁸⁷	2,7	2,7	2,7	2,7
Impianto di accensione				
Candela	Husqvarna HQT-7	Husqvarna HQT-7	Husqvarna HQT-7	Husqvarna HQT-7
Distanza tra gli elettrodi, mm	0,7-0,8	0,7-0,8	0,7-0,8	0,7-0,8
Carburante e sistema di lubrificazione				
Tipo lubrificante del motore	Lubrificazione per sbattimento	Lubrificazione per sbattimento	Lubrificazione per sbattimento	Lubrificazione per sbattimento
Capacità serbatoio carburante, litri	1,0	1,0	1,0	1,0
Capacità serbatoio olio, litri	0,5	0,5	0,5	0,5
Olio motore ⁸⁸	Husqvarna SAE 30	Husqvarna SAE 30	Husqvarna SAE 30	HusqvarnaSAE 30
Peso				
Con serbatoi vuoti, kg	31,1	32,6	32,0	33,1
Emissioni di rumore⁸⁹				
Livello potenza acustica, misurato dB(A)	96	96	95	97
Livello acustico, garantito, L _{WA} dB(A)	98	98	96	98

⁸⁷ La potenza nominale del motore indicata corrisponde alla potenza netta media (al rapporto giri/min specificato) di un tipico motore in fase di produzione per il modello di motore misurato dalla normativa SAE J1349/ISO1585. I motori per produzione di massa potrebbero presentare un valore diverso da questo. La potenza effettiva del motore installato nel prodotto finale dipende dalla velocità di funzionamento, dalle condizioni ambientali e da altri valori.

⁸⁸ Se l'olio SAE-30 viene utilizzato a temperature inferiori a +5 °C, vi è il rischio che non lubrifichi sufficientemente il motore. Ciò può causare danni al motore. Fare riferimento a *Cambio dell'olio motore alla pagina 194* per informazioni sull'olio corretto da utilizzare in presenza di basse temperature.

⁸⁹ Emissioni di rumore nell'ambiente misurate come potenza sonora (L_{WA}) in base alla direttiva CE 2000/14/CE.

	LC 151	LC 151S	LB 251S	LB 256SP
Livelli di rumorosità⁹⁰				
Livello di pressione sonora all'orecchio dell'operatore, dB(A)	86	86	82	86
Livelli di vibrazioni⁹¹				
Vibrazioni sul manubrio, m/s ²	8,5	8,5	4,7	7,5
Attrezzatura di taglio				
Altezza di taglio, mm	25-75	25-75	25-75	25-75
Larghezza di taglio, mm	510	510	510	560
Sistema di taglio	Raccolta / Bio-Clip® / Scarico laterale	Raccolta / Bio-Clip® / Scarico laterale	BioClip® / Scarico laterale	BioClip® / Scarico laterale
Lama - standard	Raccolta 598562601	Raccolta 598562601	Mulching 597683901	Mulching 598563601
Lama - accessorio	Mulching 597683901	Mulching 597683901	–	–
Capacità del sacco raccogliërba, litri	65	65	–	–
Trasmissione				
Velocità conduzione automatica, km/h	–	3,6	4,0	3,6

⁹⁰ I dati riportati per il livello di pressione acustica hanno una dispersione statistica tipica (deviazione standard) di 1,2 dB(A).

⁹¹ I dati riportati per il livello di vibrazioni presentano una dispersione statistica tipica (deviazione standard) di 0,2 m/s².

Dichiarazione di conformità CE

Dichiarazione di conformità CE

Husqvarna AB, SE-561 82 Huskvarna, Svezia, tel.: +46-36-146500, dichiara che il **rasaerba Husqvarna LC 151, LC 151S, LB 251S, LB 256SP**, a partire dall'anno 2020 in poi, è conforme alle norme previste nelle seguenti DIRETTIVE DEL CONSIGLIO:

- dell'8 giugno 2011 sulla "restrizione dell'uso di determinate sostanze pericolose" **2011/65/UE**
- del 17 maggio 2006 "sulle macchine" **2006/42/CE**
- del 26 febbraio 2014 "sulla compatibilità elettromagnetica" **2014/30/UE**
- dell'8 maggio 2000 "sulle emissioni di rumore nell'ambiente" **2000/14/CE**

Per informazioni sulle emissioni acustiche, consultare i Dati tecnici.

Sono state applicate le seguenti norme:

EN ISO 5395-1:2013, EN ISO 5395-1:2013/A1, EN ISO 5395-2:2013, EN ISO 5395-2:2013/A1:2016, EN ISO 5395-2:2013/A2:2017, EN ISO 14982:2009

Se non diversamente specificato, le norme sopra elencate sono le ultime versioni pubblicate.

Organo competente (LC 151, LC 151S, LB 256SP): **0036, TÜV SÜD Industrie Service GmbH, Westendstrasse 199, 80686 München, Germany** ha effettuato la valutazione di conformità ai sensi della direttiva 2000/14/CE, allegato VI.

Organo competente (LB 251S): **0404, RISE SMP Svensk Maskinprovning AB, Box 7035, SE-750 07 Uppsala, Sweden** ha effettuato la valutazione di conformità ai sensi della direttiva 2000/14/CE, allegato VI.

Huskvarna, 2020-10-20



Claes Losdal, Responsabile sviluppo/Prodotti per il giardino (rappresentante autorizzato per Husqvarna AB e responsabile della documentazione tecnica)

目次

はじめに.....	201	エンジンのトラブルシューティング.....	210
安全性.....	202	搬送、保管、廃棄.....	211
組立.....	205	主要諸元.....	212
Operation (動作).....	205	EC 適合宣言.....	214
メンテナンス.....	207		

はじめに

製品の説明

本製品は、手押し式ロータリー芝刈機です。LC 151, LC 151S の場合、刈った芝を集めるためのグラスキャッチャーを取り付けます。芝を横に排出するには、サイドデイスチャージデフレクターを取り付けます。LC 151, LC 151S の場合、刈った芝を肥料にするためのマルチキットを取り付けます。

製品の概要

(図 1)

1. ハンドルバー
2. エンジンブレーキハンドル
3. ドライブベイル (LC 151S, LB 256SP)
4. ドライブレバー (LB 251S)
5. リヤカバー (LC 151, LC 151S)
6. グラスキャッチャー (LC 151, LC 151S)
7. ハンドル高さノブ
8. 刈高調整レバー
9. オイルキャップおよびオイルレベルゲージ
10. サイドデイスチャージカバー
11. マフラー
12. スパークプラグ
13. キャブレター
14. 燃料タンクキャップ
15. シンボルマーク
16. カuttingカバー
17. エアフィルター
18. サイドデフレクター
19. マルチキット (LC 151, LC 151S の場合は別売)
20. スターターロープハンドル
21. 取扱説明書

製品に表記されるシンボルマーク

- (図 2) 警告！十分に注意し、本製品を正しく使用してください。本製品により、操作者や付近にいる人が重傷を負う、または死亡するおそれがあります。
- (図 3) この取扱説明書をよくお読みになり、内容をしっかりと把握したうえで、使用してください。

用途

本製品は芝刈り用です。他の作業に本製品を使用しないでください。

- (図 4) 飛び散ったり跳ね返ったりする物体に気を付けてください。
- (図 5) 作業領域と人や動物の間に安全な距離を保ってください。
- (図 6) 警告：回転しているブレードに手や足を近づけないでください。
- (図 7) 警告：回転部品に手や足を近づけないでください。
- (図 8) 修理やメンテナンスを行う前に、エンジンを切り、イグニッションケーブルを外してください。
- (図 9) この製品は EC 規格適合製品です。
- (図 10) 環境に対する騒音レベルは EC 指令に準拠しています。本製品の排出レベルは、主要諸元の章とステッカーに記載されています。
- (図 11) 火災を起こす危険性があります。
- (図 12) 排気ガスを吸わないようにしてください。エンジンの排気ガスには、無臭で有毒な危険性の高いガスである一酸化炭素が含まれます。屋内または閉鎖された空間でエンジンを始動しないでください。
- (図 13) 高温の表面。
- (図 14) 本製品を始動する前にエンジンオイルを充填してください。

注記： 本製品に付いている他のシンボル / 銘板は、一部の商業地域に向けた認定条件を示します。

製造物責任

製造物責任法に基づき、当社は、次の場合については本製品を原因とする損傷について責任を負いません。

- 本製品が誤って修理された場合。
- メーカーによるものではない部品、またはメーカーの認可していない部品を使用して本製品を修理した場合。

- メーカーによるものではないアクセサリ、またはメーカーの認可していないアクセサリを本製品に使用した場合。
- 認定サービスセンターまたは認定機関で本製品が修理されていない場合。

ユーロ V 排出規制



警告： エンジンを改造すると、この製品の EC 型式認証が無効になります。

安全性

安全性の定義

警告、注意、注記は、取扱説明書の特に重要な部分を示しています。



警告： 取扱説明書の指示に従わない場合、使用者が負傷したり、死亡したりするか、あるいは付近の人に損傷を与える危険があることを意味します。



注意： 取扱説明書の指示に従わない場合、製品や他の物品、または隣接するエリアに損傷を与える危険があることを意味します。

注記： 特定の状況で必要とされる詳細情報を提供するために使用されます。

- 取扱説明書を読んで内容を理解した人へのみ本製品を使用させてください。
- 子供に本製品を操作させないでください。
- 子供を作業エリアに近づけないでください。責任を有する大人が常にそばにいる必要があります。
- 指示を理解していない人に本製品を操作させないでください。
- 身体的、精神的にハンデを負った人が本製品を使用する場合は常に監視してください。責任を有する大人が常にそばにいる必要があります。
- 疲労時、疾病時、アルコールや医薬品の影響が残っているときは、本製品を使用しないでください。視力、注意力、動作、判断力に悪影響を与えます。
- 本製品に不具合がある場合は使用しないでください。
- 本製品を改造しないでください。また、本製品が改造されている可能性がある場合は使用しないでください。
- エンジンの速度制御の調整を変更しないでください。

一般的な安全注意事項



警告： 本製品を使用する前に、以下の警告指示をお読みください。

- 本製品は、慎重かつ適切に使用しないと、危険な道具となります。安全注意事項に従わないと、負傷や死亡事故が発生するおそれがあります。
- 本製品では、運転中に電磁場が発生します。この電磁場は、ある条件下でアクティブ、またはパッシブな医療用インプラントに影響を及ぼすことがあります。深刻な傷害または致命傷の危険を避けるため、医療用インプラントを使用している方は、本製品を使用する前に主治医および医療用インプラントの製造元に相談することをお勧めします。
- 常に常識に基づいて注意して使用してください。特殊な状況での本製品の操作方法がわからない場合、作業を続ける前に本製品を停止して、Husqvarna 販売店までご連絡ください。
- 第三者やその所有物が事故に関係する場合、その責任は、作業員にあることを忘れないでください。
- 本製品は清潔に保ってください。標識やラベルがはっきりと読み取れるようにしてください。

作業エリアの安全



警告： 本製品を使用する前に、以下の警告指示をお読みください。

- 本製品を使用する前に、大小の枝や石などの物体を作業範囲から取り除いてください。
- カutting装置にぶつかった物体がはじかれて、人が怪我をしたり物が損傷したりするおそれがあります。本製品から周囲の人や動物との安全な距離を保ってください。
- 霧、雨、強風、極寒、雷の危険などの悪天候下で本製品を使用しないでください。悪天候下や、湿気のある場所、濡れた場所で本製品を使用すると疲労します。悪天候の場合、路面が滑りやすくなるなど、危険な状態を引き起こすことがあります。
- 製品の安全な操作を妨げる可能性がある人、物、状況に注意してください。
- 根、石、小枝、窪み、溝などの障害物に注意してください。長い芝の中に障害物が隠れていることがあります。

- ・ 斜面で芝を刈ることは危険を伴います。15 度を超える斜面では、本製品を使用しないでください。
- ・ 斜面を横切りながら本製品を操作してください。上下に移動しないでください。
- ・ 陰になった隅や視界を遮るものに近づくときは気を付けてください。

安全な作業



警告：本製品を使用する前に、以下の警告指示をお読みください。

- ・ 本製品は芝生刈りにのみ使用してください。他の作業には使用できません。
- ・ 身体保護具を使用してください。使用者の身体保護具 203 ページを参照してください。
- ・ 緊急時にエンジンをすばやく停止する方法を必ず確認してください。
- ・ 閉鎖された空間または可燃性物質の近くでエンジンを始動しないでください。エンジンの排気ガスは高温で火花を含むことがあり、火災発生の原因となります。
- ・ ブレードやすべてのカバーを適切に装着してから本製品を始動させてください。ブレードが適切に装着されていないと、緩んで、怪我をすることがあります。
- ・ ブレードが石や根などの物体にぶつからないように気を付けてください。ブレードが損傷したり、エンジンシャフトが曲がったりするおそれがあります。シャフトが曲がると振動が激しくなり、ブレードが緩む危険性が非常に高くなります。
- ・ ブレードが物に当たったり振動が発生したりした場合は、すぐに本製品を停止してください。スパークプラグからイグニッションケーブルを外してください。製品に損傷がないか点検します。損傷部を修復するが、正規サービス代理店に修理を依頼してください。
- ・ エンジンの始動時は、エンジンブレーキハンドルをハンドルに完全に固定しないでください。
- ・ 製品を平らで安定した面に置き、始動します。ブレードが地面やその他の物に触れないよう、注意してください。
- ・ 本製品の操作時は、必ず製品の後ろに立ってください。
- ・ 製品を操作するときは、すべてのホイールを地面につけ、両手でハンドルをつかんで操作してください。回転しているブレードに手や足を近づけないでください。
- ・ エンジンの作動中は、本製品を傾けないでください。
- ・ 製品を後方に引くときは注意してください。
- ・ エンジンの作動中は、本製品を持ち上げないでください。エンジンを持ち上げる必要がある場合は、最初にエンジンを停止し、スパークプラグからイグニッションケーブルを取り外してください。
- ・ 本製品を操作するときは、後ろ向きに歩かないでください。

- ・ 砂利、石、アスファルトなど、芝面以外の領域を横切るときは、エンジンを停止してください。
- ・ エンジンの作動中は、本製品を操作しながら走らないでください。製品を操作するときは、必ず歩いてください。
- ・ 刈高を変更する場合は、まずエンジンを停止してください。エンジンが作動している状態での調整は決して行わないでください。
- ・ エンジンが作動している状態で、見えない場所に製品を放置しないでください。エンジンを停止し、カッティング装置が回転していないことを確認してください。

操作のための安全注意事項

使用者の身体保護具



警告：本製品を使用する前に、以下の警告指示をお読みください。

- ・ 身体保護具で怪我を完全に防止できるわけではありませんが、万が一事故が起こった場合、負傷の度合いを軽減することができます。適切な保護具の選択については、販売店にご相談ください。
- ・ 騒音レベルが 85 dB を超える場合は、イヤマフを使用してください。
- ・ 丈夫で滑りやすいブーツや靴を着用してください。開放部の多い靴を使用したり、裸足で作業を行ったりしないでください。
- ・ 厚手の長ズボンを着用してください。
- ・ カッティング装置の取り付け、点検、清掃を行う場合は、必要に応じて保護グローブを着用してください。

本製品の安全装置



警告：本製品を使用する前に、以下の警告指示を読んでください。

- ・ 安全装置に欠陥のある製品は使用しないでください。
- ・ 安全装置は定期的に点検してください。安全装置に欠陥がある場合は、Husqvarna サービス代理店にご相談ください。

カッティングカバーの点検方法

カッティングカバーは、本製品の振動を抑え、ブレードで負傷する危険性を低減します。

- ・ カッティングカバーを点検して、亀裂などの損傷がないことを確認してください。

エンジンブレーキハンドルの点検

エンジンブレーキハンドルは、エンジンを停止させるためのものです。エンジンブレーキハンドルを放すと、エンジンが停止します。

- エンジンを始動して、エンジンブレーキハンドルを放します。エンジンが3秒で停止しない場合は、Husqvarnaの認証サービス代理店にエンジンブレーキの調整を依頼してください。(図 15)

リヤカバーの点検

リヤデフレクターは、物体が作業の方に飛び危険を減します。

- リヤカバーに損傷がないことを確認します。
- リヤカバーを閉じるスプリングに損傷がないことを確認します。
- 損傷したスプリングおよび部品を交換します。
- リヤカバーがヒンジ上でスムーズに動くことを確認します。

マフラー

マフラーは騒音レベルを最小限に抑え、排気ガスを作業者から遠ざける働きをします。

マフラーがない場合や損傷がある場合は、製品を使用しないでください。マフラーに損傷があると、騒音レベルと火災発生の危険が増加します。



警告：使用中、使用直後およびエンジンがアイドリング速度で稼働しているときはマフラーが高温になります。可燃性の材料やガスの近くでは火災に注意してください。

マフラーの点検方法

- マフラーを定期的に点検して、正しく取り付けられているか、損傷していないかを確認してください。

燃料の安全について



警告：本製品を使用する前に、以下の警告指示をお読みください。

- 本製品に燃料やエンジンオイルが付着している場合は始動しないでください。不要な燃料やオイルを本製品から除去し、乾かしてください。
- 衣服にガソリンをこぼした場合は、すぐに着替えてください。
- 燃料が身体に付着しないようにしてください。負傷する場合があります。身体に燃料が付着した場合は、石鹸と水を使用して燃料を洗い流してください。
- エンジンに漏れがある場合は、本製品を始動しないでください。エンジンに漏れないかどうかは定期的に点検してください。
- 燃料に注意してください。燃料は可燃性で蒸気には爆発性があるため、負傷や死亡に至ることがあります。
- 燃料の蒸気を吸引しないでください。負傷の原因になることがあります。十分な空気の流れを確保してください。

- 燃料やエンジンのそばで喫煙しないでください。
- 燃料やエンジンのそばに温かい物を置かないでください。
- エンジンの稼働中は、燃料を補充しないでください。
- 燃料の補充は、エンジンが冷えてからにしてください。
- 燃料を補充する前に、燃料タンクのキャップを開けて慎重に圧力を解放してください。
- 屋内でエンジンに燃料を補充しないでください。十分な空気の流れがないと、窒息や一酸化炭素中毒によって負傷や死亡に至ることがあります。
- 燃料タンクキャップを完全に締め込んでください。燃料タンクキャップが締め込まれていない場合、火災発生の危険があります。
- 始動する前に、燃料を充填した場所から本製品を3m(10フィート)以上移動させてください。
- 燃料タンクいっぱいには充填しないでください。高温になると、燃料が膨張します。燃料タンクの上部に余裕があるようにください。

メンテナンスのための安全注意事項



警告：本製品を使用する前に、以下の警告指示をお読みください。

- エンジンの排気ガスには、無臭で有毒な危険性の高いガスである一酸化炭素が含まれます。屋内または閉鎖された空間でエンジンを始動しないでください。
- 本製品のメンテナンスを実施する前に、エンジンを停止し、スパークプラグからイグニッションケーブルを取り外してください。
- カutting装置のメンテナンスを実施するときは、保護グローブを使用してください。ブレードは非常に鋭いため、切り傷を負う危険性があります。
- メーカーが認めていないアクセサリーの使用や本製品の改造は、重傷や死亡事故の原因となるおそれがあります。本製品を改造しないでください。必ず、メーカー認可済みのアクセサリーを使用してください。
- メンテナンスが正しく定期的には実施されていない場合は、負傷や本製品の損傷の危険性が高まります。
- 取扱説明書に記載されているメンテナンスのみを実施してください。他のすべてのサービス作業は、Husqvarnaの認証サービス代理店が実施する必要があります。
- Husqvarnaの認証サービス代理店で定期的に本製品のサービス作業を実施する必要があります。
- 損傷、摩耗、破損した部品は交換してください。

組立

はじめに



警告： 本製品を組み立てる前に、安全に関する章をお読みにになり、内容を理解してください。



警告： 本製品を組み立てる前に、スパークプラグからスパークプラグケーブルを取りはずしてください。

ハンドルの組み立て

1. ネジ (A) をハンドル (B)、プラスチックワッシャー (C)、ハンドルサポートブラケット (D) に通します。(図 16)
2. ナット (E) を完全に締め込みます。
3. ネジ (F) をワッシャー (G) とハンドルサポートブラケットに通します。(図 17)
4. ノブ (H) を完全に締め込みます。

ハンドルの調節方法

1. 下側ノブを緩めます。
2. 本製品の左右にある溝の下端までノブを動かします。(図 18)
3. ハンドルを 2 つの高さのいずれかにセットします。

4. ノブをハンドル方向に、カチッと音がするまで上方に動かします。(図 19)
5. ノブを完全に締め込みます。

製品を搬送位置にセットする方法

1. 下側ノブを緩めます。
2. 本製品の左右にある溝の下端までノブを動かします。(図 18)
3. ハンドルを前側に折り畳みます。(図 20)

製品を操作位置にセットする方法

1. ハンドルを直立した位置まで折り畳みます。(図 21)
2. ノブをハンドル方向に、カチッと音がするまで上方に動かします。(図 19)
3. ノブを完全に締め込みます。

グラスキャッチャーの取り付け (LC 151, LC 151S)

1. グラスキャッチャーフレームを、バッグ下部の硬質な部分に取り付けます。フレームのハンドルはバッグの上に出しておきます。(図 22)
2. グラスバッグをクリップでフレームに取り付けます。(図 23)

Operation (動作)

はじめに



警告： 本製品を操作する前に、安全に関する章をお読みにになり、内容を理解してください。

Husqvarna Connect

Husqvarna Connect は、モバイルデバイス用の無料アプリです。Husqvarna Connect アプリは、お持ちの Husqvarna 製品の拡張機能を提供します。

- 拡張製品情報。
- 製品の部品とサービスに関する情報とヘルプ。

Husqvarna Connect の使い方

1. Husqvarna Connect アプリをモバイルデバイスにダウンロードします。
2. Husqvarna Connect アプリで登録を行います。
3. Husqvarna Connect アプリの指示に沿って、製品を接続して登録します。

本製品を操作する前に

1. この取扱説明書をよくお読みにになり、内容をしっかりと把握してください。
2. カutting装置を点検し、正しく取り付けられ、調整されていることを確認します。Cutting装置の点検方法 208 ページを参照してください。
3. 燃料タンクを充填します。燃料の充填方法 205 ページを参照してください。
4. オイルタンクにオイルを注入し、油面をチェックします。油面のチェックを行うには 209 ページを参照してください。

燃料の充填方法

使用可能な場合は、低排出 / アキレートガソリンを使用してください。低排出 / アキレートガソリンを使用できない場合は、高品質の無鉛プレミアムガソリンを使用するが、オクタン価が 90 以上の無鉛ガソリンを使用してください。



注意： オクタン価が 90 RON (87 AKI) 未満のガソリンは使用しないでください。本製品が損傷する場合があります。

1. 燃料タンクキャップをゆっくりと開いて、圧力を解放します。
2. 燃料缶を使用してゆっくり補充してください。燃料をこぼした場合は、布で拭き取り、残った燃料を乾燥させてください。(図 24)
3. 燃料タンクキャップの周囲をきれいにしてください。
4. 燃料タンクキャップを完全に締め込んでください。燃料タンクキャップが締め込まれていない場合、火災発生の危険があります。
5. 始動する前に燃料を入れた場所から本製品を 3 m (10 フィート) 以上移動させてください。

刈高の設定方法

1. 刈高を高くするには、刈高レバーを後方に動かします。
2. 刈高を低くするには、刈高レバーを前方に動かします。(図 25)



注意： 刈高を低く設定しすぎないでください。芝生の表面が水平でない場合、ブレードが地面に当たるおそれがあります。

本製品の始動方法

1. イグニッションキーブルがスパークプラグに接続されていることを確認してください。
2. 製品の後ろに立ってください。
3. エンジンブレーキハンドルをハンドルバーの方へ引きます。(図 26)
4. 右手でスターターロープハンドルを握ります。
5. 抵抗を感じるまで、スターターロープをゆっくりと引き出します。
6. 力を入れて引き、エンジンを始動します。



警告： スターターロープを手に巻き付けしないでください。

ドライブホイールの使用 LC 151S & LB 256SP

- ハンドルバーの方向にドライブベイルを押します。(図 27)
- 障害物に近づいたときなどは、ドライブベイルを放してドライブを解除します。
- ドライブを解除し、本製品を約 10 cm 前方に押しつけて、後ろ向きに引きます。

ドライブホイールの使用 (LB 251S)

- ハンドルバーの方向にドライブレバーを引きます。(図 28)
- 障害物に近づいたときなどは、ハンドルバーと逆の方向にドライブレバーを押しつけてドライブを解除します。

注記： ドライブレバーは、エンジンブレーキハンドルを放すと自動的に解除されます。

- 製品を後方に引く前に、ハンドルバーと逆の方向にドライブレバーを押し、製品を約 10 cm 前方に押しつけてドライブを完全に解除します。

本製品の停止方法

- ドライブのみを停止するには、ドライブベイル (LC 151S, LB 256SP) またはドライブレバー (LB 251S) を解除します。
- エンジンを停止するには、エンジンブレーキハンドルを放します。

グラスキャッチャーを取り付けて使用する (LC 151, LC 151S)



警告： グラスキャッチャーが取り付けられていない場合、またはリヤカバーが閉じていない場合は、本製品を操作しないでください。物体が飛び出して、作業者が負傷するおそれがあります。

1. リヤカバーを持ち上げて、マルチプラグが取り付けられている場合は取り外します。(図 29)
2. グラスキャッチャーを組み立てます。グラスキャッチャーの取り付け (LC 151, LC 151S) 205 ページを参照してください。
3. グラスキャッチャーをブラケットに取り付けます。
4. リヤカバーを外し、グラスバッグフレームの上に置きます。(図 30)

マルチモードへの変更 (LC 151, LC 151S)

本製品をマルチモードに変更する前に、エンジンをオフにしてください。

1. グラスキャッチャーが取り付けられている場合は、リヤカバーを持ち上げて取り外します。
2. 排出口にマルチプラグを取り付けます。(図 31)
3. リヤカバーを閉じて、マルチプラグに対してしっかり閉まっていることを確認します。
4. ブレードを、マルチキットに付属するマルチブレードに取り替えます。ブレードの交換方法 208 ページを参照してください。

サイドディスチャージモードへの変更

1. グラスバッグが取り付けられている場合は、リヤカバーを持ち上げて、取り外します。
2. リヤカバーを閉じて、本製品に対してしっかり閉まっていることを確認します。
3. ディスチャージロックを持ち上げます。(図 32)
4. サイドディスチャージカバーを開き、サイドディスチャージデフレクターを支持ピンに取り付けます。(図 33)

5. サイドディスチャージデフレクターにサイドディスチャージカバーを取り付けます。本製品を操作する前に、サイドディスチャージデフレクターが所定の位置にしっかりと固定されていることを確認してください。

グラスキャッチャーを空にする方法



注意： グラスキャッチャーを動かす際は、摩擦防止のため持ち上げてください。

1. フレームハンドルを使ってグラスキャッチャーを持ち上げます。
2. グラスキャッチャーを空にする際は、フレームハンドルとバッグハンドルを使用します。(図 34)

良好に芝を刈る方法

- 必ず鋭利なブレードを使用してください。ブレードが鈍っていると、刈り取りにばらつきが出て、芝の

切口が黄ばみます。鋭利なブレードを使用すると、鈍いブレードを使用した場合より労力が少なくて済みます。

- 芝の長さの 1/3 以上刈らないでください。芝刈りの開始時は、刈高を最も高く設定します。結果を確認し、必要なレベルまで刈高を下げます。芝が非常に長い場合は、ゆっくり操作し、必要に応じて刈り取り作業を 2 回行ないます。
- 1 回目と 2 回目は別の方向に向かって刈り、芝面に筋がつかないようにします。
- リヤカバーを持ち上げてグラスキャッチャーを取り外します。
- マルチプラグとマルチブレードが取り付けられている場合は、取り外します。
- 製品を操作する前に、後部カバーを閉じてください。製品を操作すると、刈り取られた芝が後部カバーの下に排出されます。

メンテナンス

はじめに



警告： メンテナンスを行う前に、安全に関する章をお読みになり、内容を理解してください。

本製品のすべての整備と修理作業には、特別な訓練が必要です。当社では責任をもって専門的な修理と整備作業を提供します。お客様の販売店がサービス代理店でない場合は、最寄りのサービス代理店に関する情報をお問い合わせください。

メンテナンススケジュール



注意： 製品を傾けるときは、エアフィルターを上向きにし、地面に接触しないようにしてください。エンジンが損傷する可能性があります。

メンテナンス間隔は、本製品が毎日使用されることを前提に算出されています。本製品を毎日使用しない場合は、メンテナンス間隔が変わります。

「*」が付いているメンテナンスについては、「**本製品の安全装置 203 ページ**」を参照してください。

メンテナンス	毎日	毎月	季節ごと
一般点検の実施	X		
油面の点検	X		
オイルの交換 (最初は 5 時間の使用後、その後は 50 時間の使用ごと) ⁹²			X
製品の洗浄	X		
カッティング装置の点検	X		
カッティングカバーの点検*	X		
エンジンプレーキハンドルの点検*	X		
マフラーの点検*		X	
スパークプラグを点検します。必要に応じてスパークプラグを清掃または交換します。			X

⁹² 本製品を高負荷の作業または高温の場所で使用する場合は、25 時間ごとにエンジンオイルを交換してください。

メンテナンス	毎日	毎月	季節ごと
エアフィルターの点検	X		
エアフィルターの清掃 ⁹³		X	
エアフィルターの交換			X
燃料システムの点検			X
シリンダーの冷却フィンを清掃します		X	
クラッチワイヤーの点検と調整 (LC 151S, LB 251S, LB 256SP)			X
トランスミッションカバーの下の清掃 (LB 251S)			X

一般点検の実施方法

- 本製品のナットとネジがしっかりと締め込まれていることを確認してください。

製品外部を洗浄するには

- ブラシで、葉、草、土を取り除いてください。
- エンジン上部の空気取り込み口が塞がれていないことを確認してください。
- 本製品の清掃には高圧水を使用しないでください。
- 水を使用して製品を洗浄する場合は、エンジンに直接水をかけないでください。

カッティングカバーの内面の清掃

- 燃料タンクを空にします。
- 本製品を傾けます。スパークプラグが上向きになっていることを確認します。



注意：製品にエアフィルターを取り付けている場合は、エンジンが破損することがあります。

- ホースを使ってカッティングカバーの内側の表面を水で洗浄します。

トランスミッションカバーの下の清掃 (LB 251S)

- 燃料タンクを空にします。
- 本製品を傾けます。スパークプラグが上向きになっていることを確認します。



注意：製品にエアフィルターを取り付けている場合は、エンジンが破損することがあります。

- 7本のネジを外します。(図 35)
- トランスミッションカバーを外します。
- ブラシを使用して表面を清掃します。



注意：トランスミッションカバーの下に水や汚れがあると、トランスミッションが損傷する可能性があります。

- トランスミッションカバーと7本のネジを取り付けます。

カッティング装置の点検方法



警告：誤って始動しないように、イグニッションケーブルをスパークプラグから取り外します。



警告：カッティング装置のメンテナンスを実施するときは、保護グローブを着用してください。ブレードは非常に鋭利なため、切り傷を負う危険性があります。

- カッティング装置に損傷やひび割れがないかどうか点検してください。損傷したカッティング装置は必ず交換してください。
- ブレードが破損していないか、鈍くなっていないかを確認してください。

注記：ブレードの目立て後は、ブレードのバランス調整が必要です。サービスセンターに依頼して、ブレードの目立て、交換、バランス調整を受けてください。製品が障害物に当たって停止した場合は、破損したブレードを交換してください。サービスセンターに依頼して、ブレードの目立てが可能かどうか、交換が必要かどうかを判断してもらってください。

ブレードの交換方法

- ブレードを木製ブロックでロックします。(図 36)
- ブレードボルトを取り外します。
- ブレードを外します。
- ブレードサポートとブレードボルトに破損がないかどうか点検します。
- エンジンシャフトが曲がっていないかどうか点検します。

⁹³ 埃っぽい環境や空中に碎片がある環境ではより頻繁に清掃してください。汚れがひどい場合は、エアフィルターを交換します。

- 新しいブレードを取り付けるときは、角度がついたブレードの端の部分をカッティングカバー方向に向けます。(図 37)
- ブレードがエンジンシャフトの中心と合っていることを確認します。
- ブレードを木製ブロックでロックします。スプリングワッシャーを取り付け、ボルトとワッシャーを 43-47 Nm のトルクで締め付けます。(図 38)
- 手でブレードを引き回して、引っかかりなく回転することを確認します。



警告： 丈夫な作業用手袋を着用してください。ブレードは非常に鋭利なため、切り傷を負う危険性があります。

- 製品を始動してブレードのテストを実施します。ブレードが正しく取り付けられていない場合、製品に振動が発生するか、良好な刈り取り結果を得られません。

油面のチェックを行うには



注意： 油面が低すぎると、エンジンが損傷することがあります。製品を始動する前に油面を点検してください。

- 本製品を水平面に置きます。
- オイルレベルゲージが付いているオイルタンクキャップを取り外します。
- オイルレベルゲージのオイルを拭き取ります。
- 油面の正しい状況を知るには、オイルタンクにディップスティックを完全に入れます。
- オイルレベルゲージを外します。
- オイルレベルゲージで油面を点検します。
- 油面が低すぎる場合は、エンジンオイルを充填し、もう一度油面をチェックします。

エンジンオイルの交換



警告： エンジンの停止直後は、エンジンオイルが非常に高温になっています。エンジンオイル排出前にエンジンを冷ましてください。エンジンオイルが皮膚に触れた場合は、石鹸と水で洗ってください。

(図 39)

- 燃料タンクが空になるまで、製品を運転してください。
- スパークプラグからイグニッションケーブルを取り外します。
- オイルタンクキャップを取り外します。
- エンジンオイルを収集するために製品の下にコンテナを置きます。
- オイルタンクからエンジンオイルを抜き取るために製品を傾けます。

- 主要諸元 212 ページで推奨されているタイプの新しいエンジンオイルを充填します。
- 油面をチェックします。油面のチェックを行うには 209 ページを参照してください。

スパークプラグを点検するには



注意： 必ず、推奨されている種類のスパークプラグを使用してください。スパークプラグの種類が間違っていると、本製品が破損するおそれがあります。

- エンジンのパワーが出ない、なかなか始動しない、またはアイドリング速度で適切に動作しない場合は、スパークプラグを点検します。
- スパークプラグ電極に異物が付着するリスクを下げるには、次の手順に従います。
 - アイドリング速度が正しく調整されていることを確認します。
 - 適切な燃料混合物を使用していることを確認します。
 - エアフィルターに汚れがないことを確認します。
- スパークプラグが汚れていたら、きれいにしてから電極ギャップが適切であることを確認します。主要諸元 212 ページを参照してください。(図 40)
- 必要に応じてスパークプラグを交換します。

エアフィルター

エアフィルターが汚れていると、エンジンの損傷や動作不良の原因になります。埃の多い環境では、より頻繁にエアフィルターのメンテナンスを実施してください。エアフィルターを交換するタイミングについては、メンテナンス 207 ページを参照してください。

注記： 破損したエアフィルターは必ず交換してください。

エアフィルターの取り外しと取り付け



警告： 保護グローブを着用してください。

- エアフィルターカバーのクリップを押します。
- エンジンからエアフィルターカバー (A) を慎重に取り外します。
- エアフィルター (B) を取り外します。(図 41)
- エアフィルターに損傷がないことを確認します。破損したエアフィルターを交換します。
- エアフィルターを清掃して点検します。エアフィルターの清掃方法 210 ページを参照してください。
- 逆の手順で取り付けます。

エアフィルターの清掃方法

エアフィルターが汚れていると、エンジンの損傷や動作不良の原因になります。埃の多い環境では、より頻繁にエアクリーナーのメンテナンスを実施してください。

エアフィルターを交換するタイミングについては、メンテナンス 207 ページを参照してください。

1. エアフィルターカバーを取り外して、フィルターを取り出します。
2. フィルターを硬い壁や床などに当てて、汚れを落とします。フィルターの清掃には、石油、灯油、圧縮空気を使用しないでください。

注記：長時間使用されたエアフィルターは、完全には清掃できません。定期的エアフィルターを交換します。破損したエアフィルターは必ず交換してください。

3. エアフィルターを取り付けるときは、フィルターホルダーにしっかりと固定します。

サイドディスチャージデフレクターの点検方法

サイドディスチャージデフレクターは、本製品のサイドディスチャージ開口部に取り付けます。これにより、芝刈り時に作業の方に物体が飛び危険性を低減します。

1. サイドディスチャージデフレクターに損傷がないことを確認します。
2. サイドディスチャージデフレクターを点検します。ドアを開めるスプリングの亀裂や破損などといった不具合がないことを確認してください。

3. サイドディスチャージデフレクターまたはスプリングが損傷している場合は、交換します。

燃料システムを点検するには

- 燃料タンクキャップと燃料タンクキャップのシールを確認し、破損していないことを確認します。
- 燃料ホースを点検し、漏れがないことを確認します。燃料ホースが破損している場合は、サービス代理店に交換を依頼してください。

クラッチワイヤーの調整 (LC 151S, LB 251S, LB 256SP)

以下の状況では、クラッチワイヤーを短くする必要があります。

- ドライブペダルまたはスピードコントロールレバーを引いたときに、ホイールの駆動が噛み合わない。
- ホイールの駆動力がかかると、本製品がゆっくりと動く。

以下の状況では、クラッチワイヤーを長くする必要があります。

- ホイールの駆動力がかかっているときに本製品が動く。
- クラッチワイヤーの調整
 - a) クラッチワイヤーを短くするには、調整ネジを反時計回りに回します。
 - b) クラッチワイヤーを長くするには、調整ネジを時計回りに回します。(図 42)

調整後も本製品の運転に不具合があるない場合は、販売店にお問い合わせください。

エンジンのトラブルシューティング

問題	考えられる原因	解決策
エンジンが始動しない。	イグニッションケーブルが正しく接続されていません。	イグニッションケーブルをスパークプラグに接続します。
	燃料タンクが空です。	燃料タンクに適切なタイプの燃料を充填します。
	燃料が古くなっています。	燃料タンクとキャブレターから燃料を抜き取ります。新しいガソリンを入れてください。
	キャブレターまたは燃料ラインに異物があります。	キャブレターまたは燃料ラインを清掃します。
	スパークプラグに不具合があります。	電極間隔を調節するか、スパークプラグを清掃または交換します。
	スパークプラグに燃料がついています。	スパークプラグを清掃します。
エンジンが停止しない。	停止機構に不具合があります。	スパークプラグからイグニッションケーブルを外してください。本製品の修理は販売店に依頼してください。

問題	考えられる原因	解決策
エンジンがスムーズに動作しない。	イグニッションケーブルが正しく接続されていません。	イグニッションケーブルをスパークプラグに接続します。
	燃料ラインに汚れがあるか、燃料が古くなっています。	燃料ラインを清掃します。適切な種類の新しい燃料を燃料タンクに充填します。
	燃料タンクキャップに詰まりがあります。	燃料タンクキャップを清掃します。
	燃料系統に水または汚れが入っています。	燃料タンクを空にします。適切な種類の新しい燃料を燃料タンクに充填します。
	エアフィルターが汚れています。	エアフィルターを清掃します。
	キャブレターを調整する必要があります。	販売店にキャブレターの調整を依頼してください。
エンジンが過熱しています。	エンジンオイルレベルが低すぎます。	エンジンオイルを充填します。
	エアフローが十分ではありません。	エアフィルターとエアフィルターハウジングを清掃します。
	キャブレターを調整する必要があります。	販売店にキャブレターの調整を依頼してください。
高速運転中にエンジンが失火する。	スパークプラグの電極間隔が小さすぎます。	電極間隔を調整します。
通常の負荷でエンジンから異音が発生する。	ガソリンの種類が違います。	燃料タンクとキャブレターから燃料を抜き取ります。新しいガソリンを入れてください。燃料の充填方法 205 ページを参照してください。問題が解決しない場合は、販売店にお問い合わせください。
エンジンがアイドリング速度でスムーズに動作しない。	スパークプラグに汚れや不具合があるか、電極間隔が大きすぎます。	電極間隔を調節するか、スパークプラグを交換します。
	キャブレターを調整する必要があります。	キャブレターを調整します。
	エアフィルターが汚れています。	エアフィルターを清掃します。

搬送、保管、廃棄

搬送と保管

- 本製品と燃料を保管、搬送する場合は、漏れや煙がないことを確認してください。電気装置やボイラーなどからの火花や裸火により、火災が発生する場合があります。
- 燃料を保管、搬送する場合は必ず、認証されたコンテナを使用してください。
- 本製品を長期間、保管場所に入れる場合は、燃料タンクを空にしてください。燃料は適切な廃棄場所に廃棄してください。
- 搬送中は本製品を安全に接続して、損傷や事故を防止してください。
- 本製品は鍵のかかる場所に保管して、子供や許可を得ていない人が近づけないようにしてください。

- 本製品は、乾燥した霜の降らない場所に保管します。

廃棄

- 地域のリサイクル要件および適用される法規に従ってください。
- すべての化学物質（エンジンオイルや燃料など）はサービスセンターまたは適切な廃棄場所に廃棄してください。
- 本製品が不要になった場合は、Husqvarna 販売店に送付するか、リサイクル施設で廃棄してください。

主要諸元

主要諸元

	LC 151	LC 151S	LB 251S	LB 256SP
エンジン				
ブランド	Husqvarna	Husqvarna	Husqvarna	Husqvarna
エンジンタイプ	1 シリンダー、4 ストローク、強制空冷、OHV	1 シリンダー、4 ストローク、強制空冷、OHV	1 シリンダー、4 ストローク、強制空冷、OHV	1 シリンダー、4 ストローク、強制空冷、OHV
排気量、cm ³	166	166	166	166
回転速度、r/min	2800	2800	2800	2800
公称エンジン出力、kW ⁹⁴	2.7	2.7	2.7	2.7
イグニションシステム				
スパークプラグ	ハスクバーナ HQT-7	ハスクバーナ HQT-7	ハスクバーナ HQT-7	ハスクバーナ HQT-7
電極ギャップ、mm	0.7~0.8	0.7~0.8	0.7~0.8	0.7~0.8
燃料および潤滑システム				
エンジンの潤滑タイプ	はねかけ式	はねかけ式	はねかけ式	はねかけ式
燃料タンク容量、リットル	1.0	1.0	1.0	1.0
燃料タンク容量、リットル	0.5	0.5	0.5	0.5
エンジンオイル ⁹⁵	Husqvarna SAE 30	Husqvarna SAE 30	Husqvarna SAE 30	Husqvarna SAE 30
質量				
燃料タンクが空の場合 (kg)	31.1	32.6	32.0	33.1
騒音排出⁹⁶				
音響パワーレベル、測定、dB (A)	96	96	95	97
音響パワーレベル、保証、L _{WA} dB (A)	98	98	96	98
音量レベル⁹⁷				
使用者の耳における音圧レベル、dB (A)	86	86	82	86

⁹⁴ 表示エンジンの電気定格は、(指定 r/min での) 平均実質電気出力で、SAE 基準 J1349/ISO1585 で測定したエンジンモデル向けの一般生産エンジンに対応しています。大量生産用エンジンは、この値と異なることがあります。最終製品に据え付けたエンジンの実際の電気出力は、運転スピード、環境状態およびその他の値によって異なります。

⁹⁵ +5 °C 以下の気温で SAE-30 オイルを使用した場合、エンジンが十分に潤滑されない可能性があります。これにより、エンジンが損傷するおそれがあります。低温に適したオイルについては、*エンジンオイルの交換 209* ページを参照してください。

⁹⁶ 環境における騒音の排出は、EC 指令 2000/14/EC に従って、音響パワー (L_{WA}) として測定。

⁹⁷ 報告データによれば、騒音音圧レベルの一般的な統計上のばらつき (標準偏差) は、1.2 dB (A) です。

	LC 151	LC 151S	LB 251S	LB 256SP
振動レベル⁹⁸				
ハンドルバーの振動レベル、m/s ²	8.5	8.5	4.7	7.5
カッティング装置				
刈高、mm	25～75	25～75	25～75	25～75
刈幅、mm	510	510	510	560
カッティングシステム	収集 / BioClip® / サイドディスチャージ	収集 / BioClip® / サイドディスチャージ	BioClip® / サイドディスチャージ	BioClip® / サイドディスチャージ
ブレード - 標準	収集 598562601	収集 598562601	マルチ 597683901	マルチ 598563601
ブレード - 別売	マルチ 597683901	マルチ 597683901	-	-
グラスキャッチャーの容量、リットル	65	65	-	-
ドライブ				
自走速度、km/h	-	3.6	4.0	3.6

⁹⁸ 報告データによれば、等価振動レベルの一般的な統計上のばらつき（標準偏差）は、0.2 m/s² です。

EC 適合性宣言

Husqvarna AB、SE-561 82 Huskvarna、スウェーデン、電話：+46-36-146500 は、2020 年以降に製造された**芝刈機 Husqvarna LC 151, LC 151S, LB 251S, LB 256SP** が、評議会指令 (COUNCIL'S DIRECTIVE) の規定に適合していることを宣言します。

- 2011 年 6 月 8 日付「電気・電子製品に含まれる特定有害物質の使用制限に関する」**2011/65/EU**
- 2006 年 5 月 17 日付「機械類に関する」**2006/42/EC**
- 2014 年 2 月 26 日付「電磁波適合性に関する」**2014/30/EU**
- - 2000 年 5 月 8 日付「環境への騒音排出に関する」**2000/14/EC**

騒音排出に関する情報は、主要諸元を参照してください。

次の標準規格にも適合しています。

EN ISO 5395-1:2013, EN ISO 5395-1:2013/A1, EN ISO 5395-2:2013, EN ISO 5395-2:2013/A1:2016, EN ISO 5395-2:2013/A2:2017, EN ISO 14982:2009

別途記載のない限り、上記規格が最新版です。

公認機関 (LC 151, LC 151S, LB 256SP) : **0036, TÜV SÜD Industrie Service GmbH, Westendstrasse 199, 80686 München, Germany** は、評議会指令 2000/14/EC の付録 VI に基づいて適合性評価を実施しました。

公認機関 (LB 251S) : **0404, RISE SMP Svensk Maskinprovning AB, Box 7035, SE-750 07 Uppsala, Sweden** は、評議会指令 2000/14/EC の付録 VI に基づいて適合性評価を実施しました。

Huskvarna, 2020-10-20



開発マネージャー / ガーデン製品担当 Claes Losdal (/ スクバーナ AB 正式代表兼技術文書担当)

TURINYS

Įvadas	215	Variklio triukščių šalinimas	224
Sauga	216	Transportavimas, saugojimas ir utilizavimas	225
Surinkimas	218	Techniniai duomenys	226
Naudojimas	219	EB atitikties deklaracija	228
Techninė priežiūra	221		

Įvadas

Gaminio aprašas

Šis gaminys yra savaeigė sukamoji veļapjovė. Pritvirtinkite žolės rinktuva, skirtą LC 151, LC 151S, nupjautai žolei surinkti. Pritvirtinkite išmetimo deflektorių šoniniam žolės išmetimui. Pritvirtinkite mulčiavimo rinkinį, skirtą LC 151, LC 151S, kad žolė būtų smulkinama į trašas.

Gaminio apžvalga

(Pav. 1)

1. Valdymo rankena
2. Variklio stabdymo rankena
3. Pavaros rankena (LC 151S, LB 256SP)
4. Pavaros svirtis (LB 251S)
5. Galinis gaubtas (LC 151, LC 151S)
6. Žolės rinktuvas (LC 151, LC 151S)
7. Rankenos aukščio rankenėlės
8. Pjovimo aukščio reguliavimo svirtis
9. Alyvos bakelio dangtelis ir alyvos lygio matuoklis
10. Šoninio išmetimo gaubtas
11. Duslintuvas
12. Uždegimo žvakė
13. Karbiuratorius
14. Degalų bakelio dangtelis
15. Ženkļai
16. Pjovimo gaubtas
17. Oro filtras
18. Šoninis deflektorius
19. Mulčiavimo rinkinys (priedas, skirtas LC 151, LC 151S)
20. Starterio virvės rankena
21. Naudojimo instrukcija

Simboliai ant gaminio

(Pav. 2) **[SPĖJIMAS! Būkite atsargūs ir tinkamai naudokite gaminį. Šis gaminys gali rimtai sužeisti arba pražudyti naudotoją arba aplinkinius.**

Numatytasis naudojimas

Gaminį naudokite žolei pjauti. Nenaudokite gaminio kitiems darbams.

- (Pav. 3) **Prieš naudodami, atidžiai perskaitykite naudojimo instrukciją ir įsitikinkite, kad viską gerai supratote.**
- (Pav. 4) **Saugokitės išmetamų ir rikošetu atšokusių daiktų.**
- (Pav. 5) **Asmenims ir gyvūnams būtina laikytis saugaus atstumo nuo darbo zonos.**
- (Pav. 6) **[spėjimas: Saugokite rankas bei kojas ir nekiškite jų prie besisukančio peilio.**
- (Pav. 7) **[spėjimas: Saugokite rankas bei kojas ir nekiškite jų prie besisukančių dalių.**
- (Pav. 8) **Prieš taisydami ar prižiūredami sustabdykite variklį ir atjunkite uždegimo kabelį.**
- (Pav. 9) **Šis įrenginys atitinka jam taikomas EB direktyvas.**
- (Pav. 10) **[aplinką skleidžiamas triukšmas atitinka Europos Bendrijos direktyvą. Gaminio emisijos nurodytos skyriuje „Techniniai duomenys“ ir ant etiketės.**
- (Pav. 11) **Gaisro pavojus.**
- (Pav. 12) **Neįkvėpkite išmetamųjų dujų. Variklio išmetamosiose dujose yra anglies monoksido – nuodingų, bekvapių ir labai pavojingų dujų. Nepaleiskite variklio patalpose ar uždarose erdvėse.**
- (Pav. 13) **[kaitęs paviršius.**

(Pav. 14) Pripilkite į variklį alyvos prieš paleisdami gaminį.

Pasižymėkite: Kiti ant gaminio pateikti simboliai (lipdukai), skirti kitų komercinių teritorijų sertifikavimo reikalavimams.

Atsakomybė už gaminį

Kaip nurodyta atsakomybės už gaminį įstatymuose, mes nesame atsakingi už mūsų gaminio sukeltą žalą, jei:

- gaminys netinkamai suremontuotas;

- gaminys suremontuotas naudojant kito gamintojo arba gamintojo nepatvirtintas dalis;
- gaminys turi kito gamintojo arba gamintojo nepatvirtintą priedą;
- gaminys suremontuotas ne patvirtintame techninės priežiūros centre arba jį suremontavo ne patvirtintas atstovas.

„Euro V“ standartas



PERSPĖJIMAS: Variklio modifikavimas panaikina šio produkto ES tipo patvirtinimą.

Sauga

Saugos ženklų reikšmės

Įspėjimai, perspėjimai ir pastabos yra skirtos atkreipti dėmesį į ypač svarbias vadovo dalis.



PERSPĖJIMAS: Naudojamas, kai naudotojai ar šalia esantiems asmenims kyla mirtino arba sunkaus sužeidimo pavojus arba, jei nesilaikoma vadove pateiktų nurodymų.



PASTABA: Naudojamas, kai kyla pavojus sugadinti gaminį, kitas medžiagas arba padaryti žalą aplinkai, jei nesilaikoma vadove pateiktų nurodymų.

Pasižymėkite: Naudojamas papildomai informacijai apie konkrečią situaciją pateikti.

Bendrieji saugos nurodymai



PERSPĖJIMAS: Prieš naudodami gaminį, perskaitykite toliau esančius įspėjimus.

- Netinkamai arba neatidžiai naudojant šis gaminys yra pavojingas. Jei nesilaikysite saugos nurodymų, kyla sužeidimų arba mirties pavojus.
- Šis gaminys veikdamas sukuria elektromagnetinį lauką. Tam tikromis aplinkybėmis šis laukas gali trikdyti aktyviųjų arba pasyviųjų medicininių implantų veiklą. Kad sumažėtų sunkių ar mirtinų sužeidimų pavojus, medicininių implantų turintiems asmenims rekomenduojame prieš naudojant šį gaminį pasitarti su gydytoju ir implanto gamintoju.
- Visada elkitės atsargiai ir vadovaukitės sveiku protu. Jei tiksliai nežinote, kaip naudoti gaminį konkrečioje situacijoje, sustabdykite darbą ir prieš tęsdami darbą pasitarkite su „Husqvarna“ pardavimo atstovu.
- Atsiminkite, kad už nelaimingus atsitikimus, kurių metu nukentės asmenys ar turtas, bus atsakingas naudotojas.



PERSPĖJIMAS: Prieš naudodami gaminį, perskaitykite toliau esančius įspėjimus.

- Prieš naudodami gaminį nuo darbo zonos pašalinkite tokius objektus, kaip šakos, šakelės ir akmenys.
- Atsitrenkę į pjovimo įrangą objektai gali atšokti ir sužeisti asmenis bei sugadinti daiktus. Šalia esantiems asmenims ir gyvūnams būtina laikytis saugaus atstumo nuo gaminio.
- Gaminio niekuomet nenaudokite blogu oru, pvz., kai pakyla rūkas, lyja, pučia stiprus vėjas, stipriai šąjla ir gali žaibuoti. Darbas gaminiu blogu oru arba drėgnose ar šlapiose vietose yra varginantis. Blogu oru gali susidaryti pavojingos sąlygos, pvz., slidūs paviršiai.

- Saugokitės asmenų, daiktų ir tam tikrų situacijų kurios gali neleisti saugiai naudoti gaminio.
- Saugokitės kliūčių, pvz., šaknų, akmenų, šakelių, duobių ir griovių. Aukštoje žolėje kliūtys gali būti nematomos.
- Gali būti pavojinga pjauti žolę įkalnėse. Nenaudokite gaminio, jei šlaitas yra statenesis nei 15°.
- Šlaitus pjaukite skersai. Nevažiuokite į viršų ir žemyn.
- Būkite atsargūs artėdami prie nematomų kampų ir daiktų, kurie užstoja vaizdą.

Darbo sauga



PERSPĖJIMAS: Prieš naudodami gaminį, perskaitykite toliau esančius įspėjimus.

- Gaminį naudokite tik vejų žolei pjauti. Neleidžiama jo naudoti kitoms užduotims atlikti.
- Naudokite asmenines apsaugines priemones. Žr. *Asmeninės apsauginės priemonės psl. 217.*
- Įsitinkinkite, kad žinote, kaip greitai sustabdyti variklį nelaimės atveju.
- Niekada neužveskite variklio uždaroje erdvėje ar netoli degių medžiagų. Variklio išmetamosios dujos yra karštos, jose gali būti kibirkščių, kurios gali sukelti gaisrą.
- Nenaudokite gaminio tinkamai neuždengę peilio ir neuždėję kitų dangčių. Netinkamai uždėtas peilis gali atsilaisvinti ir sužeisti.
- Užtikrinkite, kad peilis neatsitrenktų į tokius objektus, kaip akmenys ir šaknys. Tai gali sugadinti peilį ir sulenkti variklio veleną. Sulenkta ašis sukelia didelę vibraciją ir kyla didžiulis pavojus, kad peilis atsilaisvins.
- Jei į peilį atsitrenkia objektas arba susidaro vibracijos, nedelsdami sustabdykite gaminį. Atjunkite uždegimo kabelį nuo uždegimo žvakės. Patikrinkite, ar gaminys neapgadintas. Pataisykite sugadintas dalis arba remonto darbus perleiskite įgaliotajam techninės priežiūros atstovui.
- Niekada neprijunkite variklio stabdžio rankenos prie rankenos visam laikui, kai variklis veikia.
- Padėkite gaminį ant stabiliaus, plokščio paviršiaus ir paleiskite jį. Patikrinkite, ar peilis noliečia žemės ar kokių kitų daiktų.
- Visada būkite už gaminio, kai jį naudojate.
- Prižiūrėkite, kad visi ratukai būtų ant žemės ir abi rankas laikykite ant rankenos, kai naudojate gaminį. Saugokite rankas bei kojas ir neikiškite jų prie besisukančių peilių.
- Dirbant varikliui nepakreipkite gaminio.
- Būkite atsargūs, kai gaminį traukiate atgal.
- Dirbant varikliui nepakelkite gaminio. Jei gaminį turite pakelti, pirmiausia sustabdykite variklį ir atjunkite uždegimo kabelį nuo uždegimo žvakės.
- Naudodami gaminį neikite atgal.

- Veždami įrenginį per zonas be žolės, pvz., žvirgždo, akmenų ir asfalto takelius, sustabdykite variklį.
- Dirbant varikliui nebėkite su gaminiumi. Naudodami gaminį visada eikite.
- Prieš pakeisdami pjovimo aukštį pirmiausia išjunkite variklį. Draudžiama reguliuoti, kai veikia variklis.
- Niekada nepaleiskite gaminio iš akių, kai veikia variklis. Išjunkite variklį ir įsitinkinkite, kad pjovimo įranga nesisuka.

Naudojimo saugos instrukcijos

Asmeninės apsauginės priemonės



PERSPĖJIMAS: Prieš naudodami gaminį, perskaitykite toliau esančius įspėjimus.

- Asmeninės apsauginės priemonės nepadės visiškai išvengti pavojaus susižeisti, tačiau nelaimingo atsitikimo atveju mažiau nukentėsite. Leiskite prekybos atstovui padėti pasirinkti tinkamą įrangą.
- Jei triukšmo lygis viršija 85 dB, naudokite klausos apsaugą
- Avėkite patvarius, neslystančius batus. Neavėkite atvirų batų ir nebūkite basi.
- Dėvėkite storas, ilgas kelnes.
- Kai būtina, pvz., montuojant, apžiūrint arba valant pjovimo įrangą, užsimaukite apsaugines pirštines.

Gaminio apsauginės priemonės



PERSPĖJIMAS: Prieš naudodami gaminį, perskaitykite toliau esančius įspėjimus.

- Nesinaudokite gaminiumi, jei jo apsauginės priemonės yra netvarkingos.
- Reguliariai tikrinkite apsaugines priemones. Jei apsauginės priemonės yra pažeistos, pasitarkite su Husqvarna techninės priežiūros atstovu.

Atlikite pjovimo gaubto patikrą.

Pjovimo gaubtas sumažina gaminio vibracijas ir sumažina disko keliamą sužeidimų pavojų.

- Apžiūrėkite pjovimo gaubtą, kad įsitikintumėte, jog nėra pažeidimų, pvz., įtrūkių.

Norėdami patikrinti variklio stabdžio rankeną

Variklio stabdžio rankena sustabdo variklį. Atleidus variklio stabdžio rankeną variklis sustoja.

- Paleiskite variklį, o tada atleiskite variklio stabdymo rankeną. Jei variklis nesustoja per 3 sekundes, paprašykite, kad įgaliotasis „Husqvarna“ techninės priežiūros atstovas sureguliuotų variklio rankeną. (Pav. 15)

Galinio gaubto patikra

Galinis deflektorius saugo, kad gaminio naudotojo kryptimi neišskrietų objektai.

- Įsitinkinkite, kad galinis gaubtas nepažeistas.
- Įsitinkinkite, kad spyruoklės, kurios uždaro galinį gaubtą, nėra pažeistos.
- Pakeiskite pažeistas spyruokles ir apgadintas dalis.
- Įsitinkinkite, kad galinis gaubtas gali sklandžiai judėti lankstais.

Duslintuvas

Duslintuvas iki minimumo sumažina triukšmo lygį ir nukreipia nuo naudotojo variklio išmetamąsias dujas.

Nenaudokite gaminio, jei nėra duslintuvo arba jis yra pažeistas. Esant pažeistam duslintuvui padidėja triukšmo lygis ir kyla gaisro pavojus.



PERSPĖJIMAS: Darbo metu ir tada, kai variklis veikia tuščiąja eiga, duslintuvas labai įkaista ir kurį laiką išlieka karštas. Elkitės atsargiai su degiomis medžiagomis ir (arba) garais, kad išvengtumėte gaisro.

Duslintuvo patikra

- Norėdami įsitikinti, kad duslintuvas yra tinkamai pritvirtintas ir nėra pažeistas, jį tikrinkite reguliariai.

Degalų naudojimo sauga



PERSPĖJIMAS: Prieš naudodami gaminį, perskaitykite toliau esančius įspėjimus.

- Neužveskite gaminio, jei ant gaminio yra kuro arba variklio alyvos. Nuvalykite nepageidaujamą kurą / alyvą ir palaukite, kol gaminys išdžiūs.
- Apsipylę drabužius kuru nedelsiant persirenkite.
- Neapsipilkite kūno kuru, nes jis gali sužaloti. Apsipylę kūną kuru, jį nusiplaukite muilu ir vandeniu.
- Neužveskite gaminio, jei iš variklio sunkiasi skysčiai. Reguliariai tikrinkite, ar iš variklio nesisunkia skysčiai.
- Atsargiai elkitės su kuru. Kuras yra degus, o jo garai – sprogūs, todėl neatsargiai elgiantis galima susižaloti arba žūti.
- Neįkvėpkite kuro garų, nes jie gali sužaloti. Pasirūpinkite tinkamu vėdinimu.

- Nerūkykite greta kuro arba variklio.
- Nedėkite šiltų objektų greta kuro arba variklio.
- Nepilkite kuro, kai variklis užvestas.
- Prieš pildami kurą įsitinkinkite, ar variklis ataušęs.
- Prieš pildami kurą lėtai atidarykite kuro bakelio dangtelį ir atsargiai išleiskite slėgį.
- Nepilkite į variklį kuro būdami patalpoje. Dėl oro stygiaus galima susižaloti arba žūti uždusęs arba apsinuodijęs anglies monoksidu.
- Stipriai užsukite kuro bakelio dangtelį. Nepakankamai stipriai užsukus kuro bakelį kyla gaisro pavojus.
- Prieš pradėdami darbą patraukite gaminį mažiausiai 3 m / 10 pėdų nuo vietos, kurioje pylėte kurą.
- Nepripilkite sklidino kuro bakelio. Šildamas kuras plečiasi. Palikite vietos kuro bakelio viršuje.

Priežiūros saugos instrukcijos



PERSPĖJIMAS: Prieš naudodami gaminį, perskaitykite toliau esančius įspėjimus.

- Variklio išmetamosiose dujose yra anglies monoksido – nuodingų, bekvapių ir labai pavojingų dujų. Nepaleiskite variklio patalpose ar uždaroje erdvėje.
- Prieš atlikdami techninę gaminio priežiūrą, sustabdykite variklį ir atjunkite uždegimo kabelį nuo uždegimo žvakės.
- Pjovimo įrangos techninės priežiūros darbus atlikite apsimovę apsaugines pirštines. Peilis labai aštrus ir gali lengvai įpjauti.
- Gamintojo nepatvirtinti priedai ir gaminio pakeitimai gali rimtai ar net mirtinai sužeisti. Nekeiskite gaminio. Visada naudokite tik gamintojo patvirtintus priedus.
- Jei techninė priežiūra atliekama netinkamai ir nereguliariai, padidėja sužeidimų ir žalos gaminiui pavojus.
- Atlikite tik savininko vadove nurodytus techninės priežiūros darbus. Visus kitus techninės priežiūros darbus turi atlikti patvirtintas „Husqvarna“ techninės priežiūros atstovas.
- Patvirtintas „Husqvarna“ techninės priežiūros atstovas turi reguliariai atlikti gaminio techninę priežiūrą.
- Pakeiskite pažeistas, sulūžusias arba susidėvėjusias dalis.

Surinkimas

Įvadas



PERSPĖJIMAS: Prieš surinkdami įrenginį perskaitykite ir supraskite saugos skyriaus informaciją.



PERSPĖJIMAS: Prieš surinkdami gaminį nuo uždegimo žvakės nuimkite dangtelį.

Rankenos surinkimas

1. Įstumkite varžtą (A) pro rankeną (B), plastikinę poveržlę (C) ir rankenos atraminį laikiklį (D). (Pav. 16)
2. Iki galo priveržkite veržlę (E).
3. Įstumkite varžtą (F) pro poveržlę (G) ir rankenos atraminį laikiklį. (Pav. 17)
4. Iki galo priveržkite rankenėlę (H).

Rankenos reguliavimas

1. Atsukite apatines rankenėles.
2. Stumkite rankenėles iki apatinio griovelių krašto kairėje ir dešinėje produkto pusėje. (Pav. 18)
3. Nustatykite rankenos aukštį į vieną iš dviejų aukščio padėčių.
4. Stumkite rankenėles į viršų link rankenos, kol jos sustos ir išgirsite spragtelėjimą. (Pav. 19)
5. Iki galo priveržkite rankenėles.

Gaminio paruošimas transportuoti

1. Atsukite apatines rankenėles.

2. Stumkite rankenėles iki apatinio griovelių krašto kairėje ir dešinėje gaminio pusėje. (Pav. 18)
3. Nulenkite rankeną pirmyn. (Pav. 20)

Gaminio paruošimas transportuoti

1. Atlenkite rankeną į viršų. (Pav. 21)
2. Stumkite rankenėles į viršų link rankenos, kol jos sustos ir išgirsite spragtelėjimą. (Pav. 19)
3. Iki galo priveržkite rankenėles.

Žolės rinktuvo montavimas (LC 151, LC 151S)

1. Įdėkite žolės rinktuvo rėmą į žolės krepšį taip, kad standi krepšio dalis būtų apačioje. Pasirūpinkite, kad rėmo rankena būtų išsikišusi iš krepšio viršaus. (Pav. 22)
2. Pritvirtinkite žolės krepšį prie rėmo, naudodami spaustukus. (Pav. 23)

Naudojimas

Įvadas



PERSPĖJIMAS: Prieš naudodami gaminį perskaitykite ir supraskite saugos skyriaus informaciją.

Husqvarna Connect

Husqvarna Connect yra nemokama programėlė, skirta mobiliesiems įrenginiams. Programėlė Husqvarna Connect suteikia Husqvarna gaminiiui papildomas funkcijas:

- Papildoma informacija apie gaminį.
- Informacija ir patarimai apie gaminio dalis ir priežiūrą.

Norėdami pradėti naudoti Husqvarna Connect

1. Atsisiųskite „Husqvarna Connect“ programėlę į mobilųjį įrenginį.
2. Užsiregistruokite „Husqvarna Connect“ programėlėje.
3. Norėdami prisijungti ir užregistruoti gaminį, vykdykite „Husqvarna Connect“ programėlėje pateiktas instrukcijas.

Prieš naudodami gaminį

1. Atidžiai perskaitykite naudojimo instrukciją ir įsitikinkite, kad viską gerai supratote.

2. Apžiūrėkite pjovimo įrangą ir įsitikinkite, kad ji tinkamai prijungta ir sureguliuota. Žr. *Pjovimo įrangos patikrinimas psl. 222*.
3. Užpildykite kuro bakelį. Žr. *Degalų pripylimas psl. 219*.
4. Pripilkite alyvos bakelį ir patikrinkite alyvos lygį. Žr. *Alyvos lygio tikrinimas psl. 223*.

Degalų pripylimas

Jei įmanoma, naudokite ekologišką / alkilato benzina. Jei ekologiško / alkilato benzino naudoti negalite, naudokite geros kokybės bešvinį benzina arba benzina su švinu, kurio oktaninis skaičius ne mažesnis nei 90.



PASTABA: Nenaudokite benzino, kurio oktaninis skaičius yra mažesnis nei 90 RON (87 AKI). Antraip galima sugadinti gaminį.

1. Lėtai atsukite degalų bakelio dangtelį, kad sumažintumėte slėgį.
2. Lėtai pilkite iš degalų kanistro. Jei išliejate degalus, nuvalykite juos audiniu ir palaukite, kol likę degalai išdžius. (Pav. 24)
3. Nuvalykite sritį aplink degalų bakelio dangtelį.
4. Gerai uždarykite degalų bako dangtelį. Nepakankamai stipriai užsukus degalų bakelį kyla gaisro pavojus.
5. Prieš pradėdami darbą patraukite gaminį mažiausiai 3 m (10 pėdų) nuo vietos, kurioje pylėte degalus.

Pjovimo aukščio nustatymas

1. Kad padidintumėte pjovimo aukštį, pjovimo aukščio svirtį palenkite atgal.
2. Kad sumažintumėte pjovimo aukštį, pjovimo aukščio svirtį palenkite į priekį. (Pav. 25)



PASTABA: Nenustatykite per žemo pjovimo aukščio. Peiliai gali užkliudyti žemę, jei vejos paviršius nelygus.

Įrenginio paleidimas

1. Įsitikinkite, kada uždegimo kabelis prijungtas prie uždegimo žvakės.
2. Stovėkite už gaminio.
3. Laikykite variklio stabdymo rankeną prispaudę prie rankenos. (Pav. 26)
4. Dešine ranka laikykite starterio lynelį.
5. Lėtai patraukite starterio lynelį, kol pajusite pasipriešinimą.
6. Tada stipriai patraukite, kad paleistumėte variklį.



PERSPĖJIMAS: Nevyniokite starterio virvės sau ant rankos.

Ratų pavaros naudojimas LC 151S & LB 256SP

- Pavaros rankeną pastumkite valdymo rankenos kryptimi. (Pav. 27)
- Atleiskite pavaros rankeną, kad išjungtumėte pavarą, pvz., kai priartėjate prie kliūtis.
- Prieš patraukdami gaminį atgal, išjunkite pavarą ir pastumkite įrenginį į priekį apie 10 cm.

Ratų pavaros naudojimas (LB 251S)

- Pavaros svirtį patraukite valdymo rankenos kryptimi. (Pav. 28)
- Norėdami išjungti pavarą, pvz., kai priartėjate prie kliūtis, pavaros svirtį pastumkite tolyn nuo valdymo rankenos.

Pasižymėkite: Pavaros svirtis išjungiamą automatiškai, kai atleidžiate variklio stabdymo rankeną.

- Prieš patraukdami gaminį atgal, pastumkite pavaros svirtį tolyn nuo valdymo rankenos ir pastumkite gaminį į priekį maždaug 10 cm, kad pavara būtų visiškai išjungta.

Gaminio sustabdymas

- Norėdami sustabdyti tik varančiuosius ratus, atlaisvinkite pavaros rankeną (LC 151S, LB 256SP) arba pavaros svirtį (LB 251S).

- Norėdami išjungti variklį, atleiskite variklio stabdymo rankeną.

Gaminio su žolės rinktuvu naudojimas (LC 151, LC 151S)



PERSPĖJIMAS: Nenaudokite gaminio nepritvirtinę žolės rinktuvo arba neuždareę galinio gaubto. Objektai gali išskrieti ir sužaloti gaminio naudotoją.

1. Pakelkite galinį gaubtą ir išimkite mulčiavimo priedą, jei jis yra įdėtas. (Pav. 29)
2. Kaip pritvirtinti žolės rinktuvą, žr. *Žolės rinktuvo montavimas (LC 151, LC 151S) psl. 219.*
3. Žolės rinktuvą uždėkite ant laikiklio.
4. Atleiskite galinį gaubtą ir uždėkite ant žolės krepšio rėmo. (Pav. 30)

Gaminio paruošimas mulčiavimui (LC 151, LC 151S)

Prieš paruošdami produktą mulčiavimui įsitikinkite, kad variklis išjungtas.

1. Pakelkite galinį gaubtą ir išimkite žolės rinktuvą, jei jis yra įdėtas.
2. Įstatykite mulčiavimo priedą į išmetimo kanalą. (Pav. 31)
3. Uždarykite galinį gaubtą ir įsitikinkite, kad jis sandariai prispaustas prie mulčiavimo priedo.
4. Pakeiskite peilį mulčiavimo peiliu, pridėdamu prie mulčiavimo rinkinio. Žr. *Peilio keitimas psl. 222.*

Gaminio pritaikymas šoniniam žolės išmetimui

1. Pakelkite galinį gaubtą ir išimkite žolės krepšį, jei jis yra įdėtas.
2. Uždarykite galinį gaubtą ir įsitikinkite, kad jis sandariai prisispaudęs prie gaminio.
3. Pakelkite išmetimo užraktą. (Pav. 32)
4. Atidarykite šoninio išmetimo gaubtą ir pritvirtinkite šoninio išmetimo deflektorių ant laikančiųjų kaiščių. (Pav. 33)
5. Paleiskite šoninio išmetimo gaubtą, kad jis užsidarytų uždengdamas šoninio išmetimo deflektorių. Prieš naudodamiesi gaminiu įsitikinkite, kad šoninio išmetimo deflektorius yra patikimai įtvirtintas.

Žolės rinktuvo ištuštinimas



PASTABA: Perkeldami žolės rinktuvą, pakelkite jį, kad jis nesidėvėtų.

1. Pakelkite žolės rinktuvą už rėmo rankenos.

2. Tuštinami žolės rinktuvą, laikykite už rėmo rankenos ir maišo rankenos. (Pav. 34)

Gerų rezultatų gavimas

- Visada naudokite pagalastą peilį. Atšipęs peilis netaisyklingai nupjauna ir žolės paviršius pagelsta. Be to, aštrus peilis naudoja mažiau energijos nei atšipęs.
- Nepjaukite daugiau nei 1/3 žolės ilgio. Pradėdami pjauti žolę, naudokite aukščiausią pjovimo aukštį. Patikrinkite rezultatą ir sumažinkite pjovimo aukštį iki

tinkamo lygio. Jeigu žolė tikrai aukšta, judėkite lėčiau ir, jei reikia, pjaukite 2 kartus.

- Kiekvieną kartą pjaukite skirtingomis kryptimis, kad vejoje nesusidarytų dryžiai.
- Pakelkite galinį gaubtą ir išimkite žolės rinktuvą.
- Jei mulčiavimo priedas ir mulčiavimo peilis uždėti, nuimkite juos.
- Prieš naudodami gaminį, uždarykite galinį gaubtą. Kai naudojate gaminį, nupjauta žolė išmetama po galiniu dangčiu.

Techninė priežiūra

Įvadas



PERSPĖJIMAS: Prieš atlikdami priežiūros darbus perskaitykite ir supraskite saugos skyriaus informaciją.

Visiems gaminio techninės priežiūros ir remonto darbams reikia specialių apmokymų. Garantuojame profesionalaus remonto ir techninės priežiūros darbų pasiekiamumą. Jei jūsų pardavėjas nėra techninės priežiūros atstovas, paprašykite jo informacijos apie artimiausią techninės priežiūros atstovą.

Priežiūros grafikas



PASTABA: Įsitinkinkite, kad oro filtras yra tinkamai įdėtas ir nesiglaudžia prie žemės, kai keliate gaminį. Pavojus sugadinti variklį.

Techninės priežiūros intervalai apskaičiuojami pagal kasdienį gaminio naudojimą. Intervalai keičiasi, jei gaminys naudojamas kasdien.

Techninės priežiūros informaciją, pažymėtą *, žr. *Gaminio apsauginės priemonės psl. 217.*

Techninės priežiūros darbas	Kasdien	Kiekvieną mėnesį	Kas sezoną
Atlikti bendrąją apžiūrą	X		
Patikrinti alyvos lygį	X		
Pakeisti alyvą (pirmą kartą po 5 naudojimo valandų, tada kas 50 naudojimo valandų) ⁹⁹			X
Nuvalyti įrenginį	X		
Patikrinti pjovimo įrangą	X		
Patikrinti pjovimo įrangos gaubtą *	X		
Patikrinti variklio stabdymo rankeną *	X		
Patikrinti duslintuvą *		X	
Patikrinti uždegimo žvakę. Esant reikalui išvalykite arba pakeiskite uždegimo žvakę			X
Apžiūrėti oro filtrą	X		
Išvalyti oro filtrą ¹⁰⁰		X	
Pakeisti oro filtrą			X
Patikrinti degalų sistemą			X

⁹⁹ Jei gaminys naudojamas dideliu pajėgumu arba esant aukštai aplinkos temperatūrai, keiskite variklio alyvą kas 25 valandas.

¹⁰⁰ Valykite dažniau, jei gaminys naudojamas aplinkoje, kurioje yra daug dulkių arba oru sklindančių dalelių. Pakeiskite oro filtrą, jei jis smarkiai užterštas.

Techninės priežiūros darbas	Kasdien	Kiekvieną mėnesį	Kas sezoną
Išvalyti cilindro aušinimo briaunas		X	
Patikrinti ir sureguliuoti sankabos trosą (LC 151S, LB 251S, LB 256SP)			X
Išvalyti sritį transmisijos gaubto apačioje (LB 251S)			X

Bendroji apžiūra

- Įsitikinkite, kad gaminio veržlės ir varžtai yra tinkamai priveržti.

Gaminio valymas iš išorės

- Lapus, žolę ir purvą nuvalykite šepečiu.
- Apžiūrėkite ar neužsikūsi oro įsiurbimo anga variklio viršuje.
- Gaminio neplaukite aukšto slėgio plovimo aparatu.
- Jei gaminį valote vandeniu, nepilkite vandens tiesiai ant variklio.

Pjovimo įrangos gaubto vidinio paviršiaus valymas

- Ištuštinkite degalų bakelį.
- Paverskite gaminį. Įsitikinkite, kad uždegimo žvakė nukreipta į viršų.



PASTABA: Jei gaminį paversite ant oro filtro, galite sugadinti variklį.

- Vandeniui apliekite vidinį pjovimo įrangos gaubto paviršų.

Srities transmisijos gaubto apačioje valymas (LB 251S)

- Ištuštinkite degalų bakelį.
- Paverskite gaminį. Įsitikinkite, kad uždegimo žvakė nukreipta į viršų.



PASTABA: Jei gaminį paversite ant oro filtro, galite sugadinti variklį.

- Išsukite 7 varžtus. (Pav. 35)
- Nuimkite transmisijos gaubtą.
- Nuvalykite paviršų šepečiu.



PASTABA: Vandens ar nešvarumų sankaupos transmisijos gaubto apačioje gali pažeisti transmisiją.

- Uždėkite transmisijos gaubtą ir pritvirtinkite 7 varžtais.

Pjovimo įrangos patikrinimas



PERSPĖJIMAS: Kad įranga netyčia nepasileistų, ištraukite uždegimo kabelį iš uždegimo žvakės.



PERSPĖJIMAS: Pjovimo įrangos techninės priežiūros darbus atlikite apsimovę apsaugines pirštines. Peilis labai aštrus ir gali lengvai įpjauti.

- Patikrinkite, ar pjovimo įranga nepažeista ir neįskilusi. Visada pakeiskite pažeistą pjovimo įrangą.
- Apžiūrėkite peilį, ar jis nepažeistas ir neatšipęs.

Pasižymėkite: Pagalandus peilį jį reikia subalansuoti. Pagaląsti, pakeisti ir subalansuoti peilį turi techninės priežiūros centro darbuotojai. Jei susidūrėte su kliūtimi, dėl kurios įrenginys sustojo, pakeiskite pažeistą peilį. Leiskite techninės priežiūros centro darbuotojams nuspręsti, ar peilį dar galima galąsti, ar jau reikia keisti.

Peilio keitimas

- Užfiksuokite peilį medžio bloku. (Pav. 36)
- Nusukite peilio tvirtinimo varžtą.
- Nuimkite peilį.
- Patikrinkite peilio atramą ir peilio tvirtinimo varžtą, ar jie nepažeisti.
- Patikrinkite variklio veleną, kad įsitikintumėte, ar jis nesulenktas.
- Įdėję naują peilį nukreipkite jo kampus pjovimo įrangos gaubto kryptimi. (Pav. 37)
- Įsitikinkite, kad peilis sulygiuotas su peilio veleno centru.
- Užfiksuokite peilį medžio bloku. Uždėkite spyruoklės poveržlę ir pritvirtinkite varžtą ir poveržlę 43 – 47 Nm sukimo momento jėga. (Pav. 38)
- Ranka pasukite peilį ir patikrinkite, ar jis laisvai sukasi.



PERSPĖJIMAS: Apsimaukite pirštines sunkiam darbui. Peilis labai aštrus ir gali lengvai įpjauti.

- Paleiskite gaminį, kad išbandytumėte peilį. Jei peilis netinkamai uždėtas, gaminys vibruoja arba pjaunama nepakankamai gerai.

Alyvos lygio tikrinimas



PASTABA: Per mažas alyvos kiekis gali sukelti variklio gedimus. Prieš paleisdami gaminį patikrinkite alyvos lygį

1. Pastatykite gaminį ant lygaus paviršiaus.
2. Nusukite alyvos bakelio dangtelį su pridėtu alyvos lygio matuokliu.
3. Nuvalykite alyvą nuo matuoklės.
4. Visiškai įmerkite alyvos lygio matuoklį į alyvos bakelį, kad tinkamai išsiaiškintumėte alyvos lygį.
5. Ištraukite lygio matuoklę.
6. Patikrinkite alyvos lygį matuoklio pagalba.
7. Jei alyvos lygis nedidelis, pripilkite variklio alyvos ir vėl jį patikrinkite.

Norėdami pakeisti variklio alyvą



PERSPĖJIMAS: Iš karto sustabdykite variklį variklio alyva yra labai karšta. Prieš išleidami variklio alyvą, leiskite varikliui atvėsti. Jei užsipsilite variklio alyvos ant odos, nuvalykite ją muilu ir vandeniu.

(Pav. 39)

1. Eksploatuokite gaminį, kol degalų bakelis ištuštės.
2. Nuimkite uždegimo kabelį nuo uždegimo žvakės.
3. Nuimkite alyvos bakelio dangtelį.
4. Po gaminių padėkite konteinerį, į kurį surinksite variklio alyvą.
5. Pakreipkite įrenginį, kad išleistumėte variklio alyvą iš alyvos bakelio.
6. Pripilkite naujos variklio alyvos. Rekomenduojamo tipo ieškokite *Techniniai duomenys psl. 226*.
7. Patikrinkite alyvos lygį. Žr. *Alyvos lygio tikrinimas psl. 223*.

Uždegimo žvakės tikrinimas



PASTABA: Visada naudokite rekomenduojamo tipo žvakes. Netinkamo tipo uždegimo žvakė gali pažeisti gaminį.

- Patikrinkite uždegimo žvakę, jei variklio galingumas mažas, jį sunku paleisti arba jis netinkamai veikia tuščiaja eiga.
- Norėdami sumažinti pašalinių medžiagų atsiradimą ant uždegimo žvakės elektrodų, laikykitės šių instrukcijų:
 - a) Įsitinkinkite, kad tinkamai sureguliuotas greitis tuščiaja eiga.
 - b) Įsitinkinkite, kad naudojate tinkamą kuro mišinį.
 - c) Patikrinkite, ar oro filtras yra švarus.

- Jeigu uždegimo žvakė purvina, nuvalykite ją ir patikrinkite, ar nustatytas tinkamas tarpas tarp elektrodų, žr. *Techniniai duomenys psl. 226*. (Pav. 40)
- Esant reikalui pakeiskite uždegimo žvakę.

Oro filtras

Dėl purvino oro filtro variklis gali būti pažeistas arba veikti netinkamai. Atlikite oro filtro techninę priežiūrą dažniau, jei gaminys naudojamas aplinkoje, kurioje daug dulkių. Norėdami daugiau informacijos apie tai, kada reikia keisti oro filtrą, žr. *Techninė priežiūra psl. 221*.

Pasižymėkite: Visada pakeiskite pažeistą oro filtrą.

Oro filtro išėmimas ir įdėjimas



PERSPĖJIMAS: Mūvėkite apsaugines pirštines.

1. Atstumkite spaustukus, esančius ant oro filtro gaubto.
2. Atsargiai nuimkite oro filtro gaubtą (A) nuo variklio.
3. Išimkite oro filtrą (B). (Pav. 41)
4. Patikrinkite, ar oro filtras nepažeistas. Pažeistą oro filtrą pakeiskite.
5. Išvalykite ir patikrinkite oro filtrą. Žr. *Oro filtro valymas psl. 223*.
6. Montuokite priešinga eilės tvarka.

Oro filtro valymas

Dėl purvino oro filtro variklis gali būti pažeistas arba veikti netinkamai. Dulkėtoje aplinkoje dažniau atlikite oro filtro priežiūrą.

Žr. *Techninė priežiūra psl. 221*, norėdami sužinoti, kada keisti oro filtrą.

1. Nuimkite oro filtro dangtelį ir išimkite filtrą.
2. Išvalykite filtrą, padaužydami j lygų paviršių. Filtrui valyti nenaudokite tirpiklio su benzinu, žibalo ar suspausto oro.

Pasižymėkite: Ilgą laiką naudotų oro filtrų neįmanoma visiškai išvalyti. Reguliariai pakeiskite oro filtrą. Pažeistus oro filtras visada būtina pakeisti.

3. Montuodami oro filtrą įsitinkinkite, kad jis visiškai prisispaudžia prie filtro laikiklio.

Šoninio išmetimo deflektoriaus patikra

Šoninio išmetimo deflektorius yra pritvirtintas prie produkto šoninio išmetimo angos. Tai sumažina riziką, kad objektai bus išsviesti link naudotojo.

1. Įsitinkinkite, kad šoninio išmetimo deflektorius nepažeistas.

- Patikrinkite šoninio išmetimo deflektorių. Įsitinkinkite, kad nematote jokių defektų, pvz. įtrūkimų arba sulūžusių spyruoklių, kurios uždaro duris.
- Pakeiskite pažeistą šoninio išmetimo deflektorių arba spyruokles.

Kuro sistemos tikrinimas

- Patikrinkite kuro bakelio dangtelį ir užsandarinkite jį, kad nepažeistumėte.
- Patikrinkite kuro žarnelę ir įsitinkinkite, kad ji neprateka. Jei kuro žarnelė pažeista, paprašykite, kad techninės priežiūros atstovas ją pakeistų.

Sankabos laido reguliavimas (LC 151S, LB 251S, LB 256SP)

Toliau nurodytose situacijose būtina sutrumpinti sankabos laidą:

- Ratų pavara neįsijungia, kai patraukiate pavaros rankeną arba greičio valdymo svirtį.
- Produktas juda lėtai, kai įjungta ratų pavara.

Toliau nurodytose situacijose būtina pailginti sankabos laidą:

- Produktas juda, kai ratų pavara neįjungta.
- Sureguliuokite sankabos laidą.
 - Norėdami sutrumpinti sankabos laidą, pasukite reguliavimo varžtą prieš laikrodžio rodyklę.
 - Norėdami pailginti sankabos laidą, pasukite reguliavimo varžtą pagal laikrodžio rodyklę. (Pav. 42)

Jei po reguliavimo produktas ir toliau važiuoja netinkamai, susisiekite su aptarnavimo paslaugų teikėju

Variklio trikčių šalinimas

Problema	Galima priežastis	Sprendimas
Nepavyksta užvesti variklio.	Uždegimo kabelis prijungtas netinkamai.	Prijunkite uždegimo kabelį prie uždegimo žvakės.
	Degalų bakelis yra tuščias.	Į degalų bakelį pripilkite tinkamų degalų.
	Degalai yra pasenę.	Ištuštinkite degalų bakelį ir karbiuratorių. Įpilkite naujo benzino.
	Užterštas karbiuratorius arba degalų linija.	Išvalykite karbiuratorių ir (arba) degalų liniją.
	Uždegimo žvakės triktis.	Sureguliuokite tarpą tarp elektrodų, išvalykite arba pakeiskite uždegimo žvakę.
	Ant uždegimo žvakės yra degalų.	Išvalykite žvakę.
Nepavyksta sustabdyti variklio	Stabdymo mechanizmas sugadintas.	Atjunkite uždegimo kabelį nuo uždegimo žvakės. Gaminio remontą leiskite atlikti įgaliotam techninės priežiūros atstovui.
Variklis veikia netolygiai.	Uždegimo kabelis prijungtas netinkamai.	Prijunkite uždegimo kabelį prie uždegimo žvakės.
	Užteršta degalų linija arba baigėsi degalų galiojimas.	Išvalykite degalų liniją. Užpildykite degalų bakelį tinkamais degalais.
	Degalų bakelio dangtelis užsikimšo.	Išvalykite degalų bakelio dangtelį.
	Į degalų sistemą pateko vandens arba purvo.	Išleiskite degalus iš degalų bakelio. Užpildykite degalų bakelį tinkamais degalais.
	Oro filtras yra purvinas.	Išvalykite oro filtrą.
	Būtina sureguliuoti karbiuratorių.	Karbiuratorių sureguliuoti leiskite techninės priežiūros atstovams.

Problema	Galima priežastis	Sprendimas
Variklis pernelyg įkaista.	Per mažas variklio alyvos lygis.	Įpilkite variklio alyvos.
	Oro srautas nepakankamas.	Išvalykite oro filtrą ir oro filtro korpusą.
	Būtina sureguliuoti karbiuratorių.	Karbiuratorių sureguliuoti leiskite techninės priežiūros atstovams.
Gaminiui veikiant dideliu greičiu įvyksta uždegimo pertrūkių.	Tarpas tarp elektrodų uždegimo žvakėje yra per mažas.	Sureguliuokite tarpą tarp elektrodų.
Neįprastas variklio garsas naudojant gaminį normaliu pajėgumu.	Netinkamo tipo benzinas.	Ištuštinkite degalų bakelį ir karbiuratorių. Įpilkite naujo benzino. Žr. <i>Degalų pripylimas psl. 219</i> . Jei problema išlieka, kreipkitės į vietinį techninės priežiūros atstovą.
Variklis veikia netolygiai tuščiaja eiga.	Uždegimo žvakė yra purvina, sugadinta arba tarpas tarp elektrodų yra per didelis.	Sureguliuokite tarpą tarp elektrodų arba pakeiskite uždegimo žvakę.
	Būtina sureguliuoti karbiuratorių.	Sureguliuokite karbiuratorių.
	Oro filtras yra purvinas.	Išvalykite oro filtrą.

Transportavimas, saugojimas ir utilizavimas

Transportavimas ir laikymas

- Norėdami laikyti ir transportuoti gaminį ir kurą, įsitikinkite, kad jis neprateka ir neskleidžia išmetamųjų dujų. Žiežirbos arba atvira ugnis, pvz., elektriniai įrenginiai arba džiovintuvai, gali sukelti gaisrą.
- Laikydami ir transportuodami kurą visada naudokite patvirtintus kontenerius.
- Ištuštinkite kuro bakelį prieš padėdami gaminį laikyti ilgam laikui. Kurą išpilkite tinkamoje šalinimo vietoje.
- Saugiai pritvirtinkite gaminį jį transportuodami, kad nepažeistumėte ir išvengtumėte nelaimingų atsitikimų.
- Laikykite gaminį užrakintoje patalpoje, kad jo nepasiektų vaikai arba neįgalieji asmenys.
- Laikykite gaminį sausoje neužšaląčioje vietoje.

Šalinimas

- Laikykites vietinių atliekų tvarkymo reikalavimų ir galiojančių teisės aktų.
- Išpilkite visas chemines medžiagas, pvz., variklio alyvą arba kurą techninės priežiūros centre arba tinkamoje šalinimo vietoje.
- Kai gaminys nebenaudojamas, nusiųskite jį „Husqvarna“ pardavėjui arba atiduokite jį perdirbimo vietai.

Techniniai duomenys

Techniniai duomenys

	LC 151	LC 151S	LB 251S	LB 256SP
Variklis				
Gamintojas	Husqvarna	Husqvarna	Husqvarna	Husqvarna
Variklio tipas	Vieno cilindro, keturtaktis, oru aušinamas, OHV	Vieno cilindro, keturtaktis, oru aušinamas, OHV	Vieno cilindro, keturtaktis, oru aušinamas, OHV	Vieno cilindro, keturtaktis, oru aušinamas, OHV
Darbinis tūris, cm ³	166	166	166	166
Greitis, aps./min	2800	2800	2800	2800
Nominali variklio galia, kW ¹⁰¹	2,7	2,7	2,7	2,7
Uždegimo sistema				
Uždegimo žvakė	„Husqvarna HQT-7“	„Husqvarna HQT-7“	„Husqvarna HQT-7“	„Husqvarna HQT-7“
Tarpas tarp elektrodų, mm	0,7-0,8	0,7-0,8	0,7-0,8	0,7-0,8
Degalų ir tepimo sistema				
Variklio tepimo tipas	Purškiamasis	Purškiamasis	Purškiamasis	Purškiamasis
Degalų bakelio talpa, litrai	1,0	1,0	1,0	1,0
Alyvos bako talpa, litrai	0,5	0,5	0,5	0,5
Variklio alyva ¹⁰²	Husqvarna SAE 30	Husqvarna SAE 30	Husqvarna SAE 30	HusqvarnaSAE 30
Svoris				
Su tuščiais skysčių bakeliais, kg	31,1	32,6	32,0	33,1
Skleidžiamas triukšmas¹⁰³				
Garso galios lygis, matuojamas dB (A)	96	96	95	97
Garso galios lygis, garantuojamas, L _{WA} dB (A)	98	98	96	98
Garso lygiai¹⁰⁴				

¹⁰¹ Nurodyta variklio galia atitinka to modelio tipinės gamybos būdu pagaminto variklio vidutinę naudingąją atiduodamą galią (varikliui veikiant nurodytu greičiu), išmatuotą pagal SAE standartą J1349 / ISO1585. Masinės gamybos būdu pagamintų variklių galia gali skirtis. Faktinė gaminyje įmontuoto variklio galia priklausys nuo darbinio greičio, aplinkos sąlygų ir kitų aplinkybių.

¹⁰² Jei SAE-30 alyva naudojama žemesnėje nei +5 °C temperatūroje, variklis gali būti suteptas nepakankamai. Dėl to gali atsirasti variklio gedimų. Daugiau informacijos apie tai, kokią alyvą naudoti esant žemai temperatūrai, žr. *Norėdami pakeisti variklio alyvą psi. 223.*

¹⁰³ Triukšmas, skleidžiamas į aplinką, išmatuotas kaip garso galia (L_{WA}) pagal EB direktyvą 2000/14/EB.

¹⁰⁴ Pateiktamų triukšmo slėgio duomenų būdingoji statistinė sklaida (standartinis nuokrypis) lygi 1,2 dB (A).

	LC 151	LC 151S	LB 251S	LB 256SP
Naudotojo ausį veikiantis garso slėgis, dB (A)	86	86	82	86
Vibracijos lygis ¹⁰⁵				
Valdymo rankenos vibracija, m/s ²	8,5	8,5	4,7	7,5
Pjovimo įranga				
Pjovimo aukštis, mm	25–75	25–75	25–75	25–75
Pjovimo plotis, mm	510	510	510	560
Pjovimo sistema	Surinkimas / Bio-Clip® / šoninis išmetimas	Surinkimas / Bio-Clip® / šoninis išmetimas	BioClip® / šoninis išmetimas	BioClip® / šoninis išmetimas
Peilis – standartinis	Surinkimas 598562601	Surinkimas 598562601	Mulčiavimas 597683901	Mulčiavimas 598563601
Peilis – priedas	Mulčiavimas 597683901	Mulčiavimas 597683901	–	–
Žolės rinktuvo galia, litrais	65	65	–	–
Pavara				
Savaeigis greitis, km/h	–	3,6	4,0	3,6

¹⁰⁵ Pateiktuose vibracijos lygio duomenyse yra 0,2 m/s² tipiška statistinė sklaida (standartinis nuokrypis).

EB atitikties deklaracija

EB atitikties deklaracija

„Husqvarna AB“, SE-561 82 Huskvarna, Švedija, tel.
+46-36-146500, patvirtina, kad **vejąplovės Husqvarna
LC 151, LC 151S, LB 251S, LB 256SP**, pagamintos nuo
2020, atitinka šių TARYBOS DIREKTYVŲ reikalavimus:

- 2011 m. birželio 8 d. direktyvos **2011/65/ES** dėl tam tikrų pavojingų medžiagų naudojimo;
- 2006 m. gegužės 17 d. direktyvos **2006/42/EB** dėl mašinų;
- 2014 m. vasario 26 d. direktyvos **2014/30/ES** dėl elektromagnetinio suderinamumo;
- 2000 m. gegužės 8 d. direktyvos **2000/14/EB** dėl į aplinką skleidžiamo triukšmo.

Daugiau informacijos apie triukšmo emisiją žr.
„Techniniai duomenys“.

Taikyti šie standartai:

**EN ISO 5395-1:2013, EN ISO 5395-1:2013/A1, EN ISO
5395-2:2013, EN ISO 5395-2:2013/A1:2016, EN ISO
5395-2:2013/A2:2017, EN ISO 14982:2009**

Jei nenurodyta kitaip, taikomos naujausios paskelbtos
nurodytų standartų versijos.

Notifikuotoji įstaiga (LC 151, LC 151S, LB 256SP): **0036,
TÜV SÜD Industrie Service GmbH, Westendstrasse
199, 80686 München, Germany** atliko atitikties vertinimą
pagal Direktyvos 2000/14/EB VI priedą.

Notifikuotoji įstaiga (LB 251S): **0404, RISE SMP Svensk
Maskinprovning AB, Box 7035, SE-750 07 Uppsala,
Sweden** atliko atitikties vertinimą pagal Direktyvos
2000/14/EB VI priedą.

Huskvarna, 2020-10-20



Claes Losdal, plėtros vadovas / sodo produktai
(įgaliotasis „Husqvarna AB“ atstovas, atsakingas už
techninę dokumentaciją.)

Saturs

Ievads.....	229	Dzinēja problēmu novēršana.....	238
Drošība.....	230	Pārvadāšana, glabāšana un utilizēšana.....	239
Montāža.....	233	Tehniskie dati.....	240
Lietošana.....	233	EK atbilstības deklarācija.....	242
Apkope.....	235		

Ievads

Izstrādājuma apraksts

Izstrādājums ir gājējam vadāmais rotējošais zāles plāvējs. Modelim LC 151, LC 151S pievienojiet zāles uztvērēju, lai savāktu zāli. Piestipriniet izmetes sānu novirzītāju zāles sānu izmetējatverei. Modelim LC 151, LC 151S pievienojiet mulčēšanas komplektu, lai sagrieztu zāli un izmantotu kā mēslojumu.

Izstrādājuma pārskats

(Att. 1)

1. Roktura stienis
2. Dzinēja bremžu rokturis
3. Piedziņas rokturis (LC 151S, LB 256SP)
4. Piedziņas svira (LB 251S)
5. Aizmugurējais pārsegs (LC 151, LC 151S)
6. Zāles uztvērējs (LC 151, LC 151S)
7. Roktura augstuma regulēšanas slēdži
8. Griešanas augstuma svira
9. Eļļas tvertnes vāciņš un mērstienis
10. Sānu izmetēja pārsegs
11. Trokšņa slāpētājs
12. Aizdedzes svece
13. Karburators
14. Degvielas tvertnes vāciņš
15. Simboli
16. Griešanas pārsegs
17. Gaisa filtrs
18. Sānu novirzītājs
19. Mulčēšanas komplekts (piederums modelim LC 151, LC 151S)
20. Startera auklas rokturis
21. Lietošanas rokasgrāmata

Simboli uz produkta

- (Att. 2) **BRĪDINĀJUMS!** Esiet uzmanīgs un lietojiet izstrādājumu pareizi. Šis izstrādājums var izraisīt smagas vai nāvējošas traumas operatoram vai citām personām.
- (Att. 3) Lūdzu, rūpīgi izlasiet šo lietošanas rokasgrāmatu un pirms izstrādājuma

Paredzētā lietošana

Izmantojiet izstrādājumu, lai apgrieztu zāli. Nelietojiet izstrādājumu citiem uzdevumiem.

lietošanas pārlicinieties, vai izprotat instrukcijas.

- (Att. 4) Uzmanieties no izmestiem un rikošetā atlecošiem priekšmetiem.
- (Att. 5) Nodrošiniet, lai darba zonā neatrastos cilvēki un dzīvnieki.
- (Att. 6) Brīdinājums. Turiet rokas un kājas drošā attālumā no rotējošiem asmeņiem.
- (Att. 7) Brīdinājums! Turiet rokas un kājas drošā attālumā no rotējošajām daļām.
- (Att. 8) Pirms veicat remontdarbus vai tehnisko apkopi, apturiet dzinēju un izņemiet aizdedzes vadu.
- (Att. 9) Šis izstrādājums atbilst spēkā esošajām EK direktīvām.
- (Att. 10) Trokšņa emisijas līmenis atbilst Eiropas Kopienas direktīvai. Izstrādājuma emisiju līmenis ir norādīts sadaļā "Tehniskie dati" un uz uzlīmes.
- (Att. 11) Ugunsgrēka risks.
- (Att. 12) Neieelpojiet izplūdes gāzes. Dzinēja gāzu izplūdes satur oglekļa monoksīdu, kas ir bezkrāsaina, indīga un ļoti bīstama gāze. Nedarbiniet dzinēju iekšelpās vai slēgtās telpās.
- (Att. 13) Karsta virsma.

(Att. 14) Pirms iedarbināt izstrādājumu, iepildiet dzinējā eļļu.

Piezīme: Pārējie uz izstrādājuma norādītie simboli/uzlīmes attiecas uz dažu tirdzniecības nozaru prasībām.

Atbildība par izstrādājuma kvalitāti

Saskaņā ar likumiem par izstrādājuma kvalitāti mēs neuzņemamies atbildību par bojājumiem, ko radījis mūsu izstrādājums, ja:

- ir veikts nepareizs izstrādājuma remonts;

- izstrādājuma remonts ir veikts, izmantojot detaļas, ko nav nodrošinājis vai apstiprinājis ražotājs;
- izstrādājumam tiek pievienots piederums, ko nav nodrošinājis vai apstiprinājis ražotājs;
- izstrādājuma remonts nav veikts pilnvarotā remontdarbnīcā vai pie pilnvarota speciālista.

Euro V emisija



BRĪDINĀJUMS: Motora atvēršana anulē šī ķēdes zāģa ES tipa apstiprinājumu.

Drošība

Drošības definīcijas

Brīdinājumi, norādes "Uzmanību!" un piezīmes tiek izmantotas, lai izceltu īpaši svarīgas lietotāja rokasgrāmatas daļas.



BRĪDINĀJUMS: Tiek izmantota tad, ja rokasgrāmatā sniegto instrukciju neievērošanas dēļ operatoram vai blakus esošajām personām draud traumu vai nāves risks.



IEVĒROJIET: Tiek izmantota tad, ja rokasgrāmatā sniegto instrukciju neievērošanas dēļ rodas izstrādājuma, citu materiālu vai blakus esošās teritorijas bojājuma risks.

Piezīme: Tiek izmantota, lai sniegtu plašāku informāciju, kas nepieciešama attiecīgajā situācijā.

Vispārīgi norādījumi par drošību



BRĪDINĀJUMS: Pirms sākat lietot izstrādājumu, izlasiet tālāk izklāstītās brīdinājuma instrukcijas.

- Šis izstrādājums ir bīstams, ja to lieto nepareizi vai ja nerīkojaties piesardzīgi. Drošības instrukciju neievērošana var izraisīt traumas vai nāvi.
- Šis izstrādājums darbības laikā rada elektromagnētisko lauku. Noteiktos apstākļos šis lauks var traucēt aktīvā vai pasīvā medicīniskā implantāta darbību. Lai samazinātu nopietnas traumas gūšanas vai dzīvības zaudēšanas risku, mēs iesakām personām, kam ir medicīniskie implantāti, pirms šī izstrādājuma lietošanas konsultēties ar savu ārstu un medicīniskā implantāta ražotāju.
- Vienmēr rīkojieties piesardzīgi un saprātīgi. Ja neesat drošs par to, kā izmantot šo izstrādājumu

konkrētā situācijā, pārtrauciet darbu un sazinieties ar savu Husqvarna izplatītāju, pirms turpināt.

- Paturiet prātā, ka operators ir atbildīgs par negadījumiem, kuros iesaistītas citas personas.
- Gādājiet, lai izstrādājums ir tīrs. Pārļiecinieties, ka varat skaidri izlasīt zīmes un uzlīmes.
- Neļaujiet nevienai personai izmantot izstrādājumu, ja neesat pārļiecinājies, ka šī persona ir izlasījusi un izprot lietotāja rokasgrāmatas saturu.
- Neļaujiet bērniem lietot šo izstrādājumu.
- Bērni nedrīkst atstāties darba zonā. Tuvumā vienmēr jābūt pieaugušajam.
- Neļaujiet lietot izstrādājumu personai, kas nav iepazinusies ar lietošanas norādījumiem.
- Ja izstrādājumu izmanto persona ar samazinātām fiziskajām vai garīgajām spējām, vienmēr uzraugiet šo personu. Tuvumā vienmēr jābūt pieaugušajam.
- Neizmantojiet šo izstrādājumu, ja esat noguris, slims vai esat alkohola, narkotiku vai medikamentu izraisītā reibumā. Šāds stāvoklis negatīvi ietekmē jūsu redzi, modrību, koordināciju un spriestspēju.
- Neizmantojiet izstrādājumu, ja tas ir bojāts.
- Neveiciet izmaiņas šajā izstrādājumā un neizmantojiet to, ja ir iespējams, ka citas personas tajā ir veikušas izmaiņas.
- Nemainiet noregulēto dzinēja apgriezienu skaitu

Darba zonas drošība



BRĪDINĀJUMS: Pirms sākat lietot izstrādājumu, izlasiet tālāk izklāstītās brīdinājuma instrukcijas.

- Pirms izmantojat izstrādājumu, noņemiet no darba zonas priekšmetus, piemēram, zarus, žaģarus un akmeņus.
- Priekšmeti, kas saskaras ar griešanas ierīci, var atlēkt un nodarīt kaitējumu personām vai citiem priekšmetiem. Gādājiet, lai citi cilvēki un dzīvnieki atrastos drošā attālumā no izstrādājuma.
- Nekad neizmantojiet izstrādājumu sliktos laikapstākļos, piemēram, miglā, lietū, stiprā vējā,

lielā aukstumā un pastāvot zibeņošanas riskam. Izstrādājuma izmantošana sliktos laikapstākļos vai mitrā vai slapjā vietā ir nogurdinoša. Slikti laikapstākļi var izraisīt bīstamus apstākļus, piemēram, slidenas virsmas.

- Pārlicinieties, vai nav personu, priekšmetu un situāciju, kas varētu kavēt izstrādājuma drošu darbību.
- Uzmanīgi skatieties, vai nav šķēršļu, piemēram, sakņu, akmeņu, zaru, bedru un grāvju. Garā zālē var atrasties dažādi šķēršļi.
- Plaušana uz nogāzēm var būt bīstama. Neizmantojiet izstrādājumu uz virsmas, kuras slīpums pārsniedz 15°.
- Uz nogāzēm izstrādājumu izmantojiet garenvirzienā. Nepļaujiet uz augšu un uz leju.
- Esiet uzmanīgi, kad tuvojaties stūriem, aiz kuriem nekas nav redzams, un priekšmetiem, kas aizsedz skaidru skatu.

Darba drošība



BRĪDINĀJUMS: Pirms sākat lietot izstrādājumu, izlasiet tālāk izklāstītās brīdinājuma instrukcijas.

- Izmantojiet šo izstrādājumu tikai zālienu pļaušanai. Izstrādājumu nav atļauts izmantot citu darbu veikšanai.
- Lietojiet individuālos aizsardzības līdzekļus. Skatiet šeit: *Individuālie aizsarglīdzekļi lpp. 231.*
- Pārlicinieties, vai zināt, kā ārkārtas situācijā ātri apturēt dzinēju.
- Nekad neiedarbiniet dzinēju slēgtās telpās vai uzliesmojošu materiālu tuvumā. Dzinēja izplūdes gāzes ir karstas, un tajās var būt dzirksteles, kas var izraisīt ugunsgrēku.
- Nedarbiniet izstrādājumu, ja asmens un visi pārsegi nav piestiprināti pareizi. Nepareizi piestiprināts asmens var kļūt vaļīgs un izraisīt traumas personai.
- Pārlicinieties, ka asmens neatsitas pret priekšmetiem, piemēram, akmeņiem un saknēm. Tas var sabojāt asmeni un saliekt dzinēja vārpstu. Saliekts asmens izraisa stipru vibrāciju un rada ļoti lielu risku, ka asmens kļūst vaļīgs.
- Ja asmens saskaras ar priekšmetu vai rodas spēcīgas vibrācijas, nekavējoties izslēdziet izstrādājumu. Atvienojiet aizdedzes vadu no aizdedzes sveces. Pārbaudiet, vai izstrādājumā nav bojājumu. Novērsiet bojājumus vai ļaujiet pilnvarotā servisa pārstāvim veikt remontu.
- Nekad nepiestipriniet dzinēja bremžu rokturi pastāvīgi rokturim, kad dzinējs ir iedarbināts.
- Novietojiet izstrādājumu uz stabilas, līdzsvarotās virsmas un iedarbiniet to. Pārlicinieties, vai asmens nepieskaras zemei vai citiem priekšmetiem.
- Darbinot izstrādājumu, vienmēr stāviet aiz tā.
- Darbinot izstrādājumu, raugiet, lai visi četri riteņi atrodas uz zemes un turiet rokturi ar abām rokām.

Turiet rokas un kājas drošā attālumā no rotējošajiem asmeņiem.

- Nekad nenolieciet izstrādājumu dzinēja darbības laikā.
- Esiet piesardzīgs, velkot izstrādājumu uz aizmuguri.
- Nekad neceliet izstrādājumu uz augšu dzinēja darbības laikā. Ja jums jāpaceļ izstrādājums, vispirms izslēdziet dzinēju un atvienojiet aizdedzes vadu no aizdedzes sveces.
- Neejiet atmuguriski izstrādājuma lietošanas laikā.
- Izslēdziet dzinēju, kad pārvietojaties pa teritorijām, ko neklāj zāle, piemēram, pa grants, akmens vai asfalta ceļiem.
- Nekad neskrieniet ar izstrādājumu dzinēja darbības laikā. Darbinot izstrādājumu, vienmēr ejiet.
- Apturiet dzinēju, pirms maināt griešanas augstumu. Nekad nemēģiniet veikt regulēšanas darbus dzinēja darbības laikā.
- Nekad neatstājiet izstrādājumu bez uzraudzības dzinēja darbības laikā. Izslēdziet dzinēju un pārlicinieties, vai griešanas ierīce nerotē.

Norādījumi par drošu darbu

Individuālie aizsarglīdzekļi



BRĪDINĀJUMS: Pirms sākat lietot izstrādājumu, izlasiet tālāk izklāstītās brīdinājuma instrukcijas.

- Šādi līdzekļi nevar pilnībā novērst traumu gūšanas risku, taču samazina traumu smaguma pakāpi, ja negadījums tomēr notiek. Ļaujiet izplatītajam palīdzēt jums izvēlēties pareizo aprīkojumu.
- Ja trokšņa līmenis ir augstāks par 85 dB, izmantojiet dzirdes aizsarglīdzekļus.
- Velciet izturīgs zābakus vai kurpes, kas neslīd. Nevelciet vaļējas kurpes un neejiet ar basām kājām.
- Velciet izturīgas garās bikses.
- Vajadzības gadījumā izmantojiet aizsargcimdus, piemēram, piestiprinot, pārbaudot vai tīrot griešanas aprīkojumu.

Izstrādājuma drošības ierīces



BRĪDINĀJUMS: Pirms sākat lietot izstrādājumu, izlasiet tālāk izklāstītās brīdinājuma instrukcijas.

- Nelietojiet izstrādājumu ar bojātām drošības ierīcēm.
- Regulāri pārbaudiet drošības ierīces. Ja drošības ierīces ir bojātas, sazinieties ar savu Husqvarna servisa pārstāvi.

Griezēja pārsega pārbaude

Griezēja pārsegs samazina izstrādājuma vibrācijas un asmens radītu ievainojumu gūšanas risku.

- Pārbaudiet griezēja pārsegu, lai pārliecinātos, vai nav bojājumu, piemēram, plaisu.

Dzinēja bremžu roktura pārbaude

Dzinēja bremžu rokturis aptur dzinēju. Atlaižot dzinēja bremžu rokturi, dzinējs apstājas.

- Iedarbiniet dzinēju un pēc tam atlaižiet dzinēja bremžu rokturi. Ja dzinējs neapstājas trīs sekundēs, lieciet pilnvarotā Husqvarna servisa pārstāvim noregulēt dzinēja bremzes. (Att. 15)

Aizmugurējā pārsega pārbaude

Aizmugurējais novirzītājs mazina operatora virzienā izsviestu priekšmetu iespējamību.

- Pārbaudiet, vai nav bojāts aizmugurējais pārsegs.
- Pārbaudiet, vai nav salauztas atsperes, kas noslēdz aizmugurējo pārsegu.
- Nomainiet bojātās atsperes un bojātās daļas.
- Pārbaudiet, vai aizmugurējais pārsegs engēs kustas brīvi.

Slāpētājs

Slāpētājs maksimāli mazina troksni un novirza motora izplūdes gāzes prom no operatora.

Nelietojiet izstrādājumu, ja slāpētājs nav piestiprināts vai ir bojāts. Bojāts slāpētājs palielina trokšņa līmeni un aizdegšanās risku.



BRĪDINĀJUMS: Lietošanas laikā, tūlīt pēc tās un tad, kad dzinējs darbojas tukšgaitā, slāpētājs ļoti uzkarst. Lai novērstu aizdegšanos, esiet piesardzīgs uzliesmojošu materiālu un/vai gāzu tuvumā.

Trokšņa slāpētāja pārbaude

- Regulāri pārbaudiet slāpētāju, lai pārliecinātos, ka tas ir pareizi piestiprināts un nav bojāts.

Drošības norādījumi, rīkojoties ar degvielu



BRĪDINĀJUMS: Pirms sākat lietot izstrādājumu, izlasiet tālāk izklāstītās brīdinājuma instrukcijas.

- Nelietojiet izstrādājumu, ja uz tā ir degviela vai dzinēja eļļa. Notīriet nevēlamo degvielu/eļļu un ļaujiet izstrādājumam nožūt.
- Ja degviela ir nokļuvusi uz apģērba, nekavējoties pārģērbieties.
- Neļaujiet degvielai nonākt uz ķermeņa, jo tā var izraisīt savainojumus. Ja degviela ir nonākusi uz ķermeņa, izmantojiet ziepes un ūdeni, lai to nomazgātu.
- Nelietojiet izstrādājumu, ja dzinējā ir sūce. Regulāri pārbaudiet, vai dzinējam nav radusies sūce.

- Rīkojoties ar degvielu, esiet uzmanīgs. Degviela ir viegli uzliesmojoša, tās tvaiki ir sprādzienbīstami, un var izraisīt savainojumus vai nāvi.
- Neieelpojiet degvielas tvaikus, jo tie var izraisīt savainojumus. Pārliecinieties, vai gaisa plūsma ir pietiekama.
- Nesmēķējiet degvielas vai dzinēja tuvumā.
- Nenovietojiet siltus objektus degvielas vai dzinēja tuvumā.
- Nepievienojiet degvielu dzinēja darbības laikā.
- Pirms degvielas uzpildes pārliecinieties, vai dzinējs ir atdzisis.
- Pirms uzpildes lēni atveriet degvielas tvertnes vāciņu un uzmanīgi izlaidiet spiedienu.
- Neveiciet dzinēja degvielas uzpildi telpās. Nepietiekama gaisa plūsma var izraisīt savainojumus vai nāvi, nosmokit vai saindējoties ar oglekļa monoksīdu (tvana gāzi).
- Pilnībā piegrieziet degvielas tvertnes vāciņu. Ja degvielas tvertnes vāciņš nav piegriezts, pastāv aizdegšanās risks.
- Pirms iedarbināšanas pārvietojiet izstrādājumu vismaz 3 m (10 pēdas) no vietas, kur piepildījāt tvertni.
- Nepiepildiet degvielas tvertni pilnībā. Siltuma ietekmē degviela izplešas. Atstājiet degvielas tvertnes augšdaļu tukšu.

Norādījumi par drošu apkopi



BRĪDINĀJUMS: Pirms sākat lietot izstrādājumu, izlasiet tālāk izklāstītās brīdinājuma instrukcijas.

- Dzinēja gāzu izplūdes satur oglekļa monoksīdu, kas ir bezkrāsaina, nredzama un ļoti bīstama gāze. Nedarbiniet dzinēju iekštelpās vai slēgtās telpās.
- Pirms veicat izstrādājuma apkopi, vispirms izslēdziet dzinēju un atvienojiet aizdedzes vadu no aizdedzes sveces.
- Veicot griešanas aprikojuma apkopi, velciet aizsargcimdus. Asmens ir ļoti ass, un ar to var viegli sagriezties.
- Piederumi un pārveidojumi izstrādājumā, kurus ražotājs nav apstiprinājis, var izraisīt nopietnas traumas vai nāvi. Nepārveidojiet izstrādājumu. Izmantojiet tikai tādus piederumus, ko ir apstiprinājis ražotājs.
- Ja apkope netiek veikta pareizi un regulāri, traumu gūšanas risks un bojājumu izstrādājumam risks palielinās.
- Veiciet tikai to apkopi, kas norādīta īpašnieka rokasgrāmatā. Visi pārējie apkopes darbi jāveic pilnvarotā Husqvarna servisa pārstāvim.
- Ļaujiet pilnvarotā Husqvarna servisa pārstāvim regulāri veikt izstrādājuma apkopi.
- Nomainiet bojātās, nodilušās un salūzušās detaļas.

Montāža

Ievads



BRĪDINĀJUMS: Pirms montējat izstrādājumu, izlasiet nodaļu par drošību un pārliecinieties, vai saprotat to.



BRĪDINĀJUMS: Noņemiet aizdedzes sveces vadu no aizdedzes sveces, pirms montējat izstrādājumu.

Roktura montāža

1. Izbīdīet skrūvi (A) caur rokturi (B), plastmasas paplāksni (C) un roktura balsta kronšteinu (D). (Att. 16)
2. Pilnībā piegrieziet uzgriezni (E).
3. Izbīdīet skrūvi (F) caur paplāksni (G) un roktura balsta kronšteinu. (Att. 17)
4. Pilnībā pievelciet fiksatoru (H).

Roktura regulēšana

1. Atļaidiet apakšējos fiksatorus.
2. Pārvietojiet fiksatorus uz rievu apakšējo galu izstrādājuma kreisajā un labajā pusē. (Att. 18)
3. Iestatiet roktura augstumu vienā no diviem pieejamiem stāvokļiem.

4. Pārvietojiet fiksatorus uz augšu roktura virzienā, līdz tie apstājas un atskan klikšķis. (Att. 19)
5. Pilnībā pievelciet fiksatorus.

Produkta novietošana transportēšanas pozīcijā

1. Atļaidiet apakšējos fiksatorus.
2. Pārvietojiet fiksatorus uz rievu apakšējo malu izstrādājuma kreisajā un labajā pusē. (Att. 18)
3. Nolokiet rokturi uz priekšu. (Att. 20)

Izstrādājuma novietošana darbības pozīcijā

1. Uzlokiet rokturi uz augšu. (Att. 21)
2. Virziet fiksatorus uz augšu roktura virzienā, līdz tie apstājas un jūs dzirdat klikšķi. (Att. 19)
3. Pilnībā pievelciet fiksatorus.

Zāles savācēja (LC 151, LC 151S) montāža

1. Piestipriniet zāles uztvērēja rāmi zāles maisam tā, lai maisa stingrā daļa būtu apakšā. Raugieties, lai rāmja rokturis ir ārpus maisa augšdaļas. (Att. 22)
2. Nostipriniet zāles maisu pie rāmja, izmantojot spaiļes. (Att. 23)

Lietošana

Ievads



BRĪDINĀJUMS: Pirms sākat darbu ar produktu, izlasiet nodaļu par drošību un pārliecinieties, vai saprotat to.

Husqvarna Connect

Husqvarna Connect ir bezmaksas lietotne jūsu mobilajai ierīcei. Lietotne Husqvarna Connect nodrošina paplašinātas funkcijas jūsu Husqvarna izstrādājumam:

- Paplašināta izstrādājuma informācija.
- Informācija par izstrādājuma daļām un apkopi un palīdzība ar to.

Lai sāktu izmantot Husqvarna Connect

1. Lejupielādējiet Husqvarna Connect lietotni savā mobilajā ierīcē.
2. Reģistrējieties Husqvarna Connect lietotnē.
3. Izpildiet Husqvarna Connect lietotnē sniegtos norādījumus, lai savienotu un reģistrētu produktu.

Pirms izstrādājuma darbināšanas

1. Uzmanīgi izlasiet lietotāja rokasgrāmatu un pārliecinieties, vai izprotat instrukcijas.
2. Pārbaudiet griešanas aprīkojumu, lai pārliecinātos, vai tas ir pareizi piestiprināts un noregulēts. Skatiet šeit: *Griešanas aprīkojuma pārbaudīšana lpp. 236.*
3. Uzpildiet degvielas tvertni. Skatiet šeit: *Degvielas uzpildīšana lpp. 233.*
4. Uzpildiet degvielas tvertni un pārbaudiet eļļas līmeni. Skatiet šeit: *Eļļas līmeņa pārbaude lpp. 237.*

Degvielas uzpildīšana

Ja iespējams, izmantojiet zemu emisiju/alkilātu degvielu. Ja zemu emisiju/alkilātu benzīns nav pieejams, izmantojiet kvalitatīvu bezsvina benzīnu vai svīnu saturošu benzīnu, kura oktānskaitlis ir vismaz 90.



IEVĒROJIET: Neizmantojiet benzīnu, kura oktānskaitlis ir mazāks par 90 RON (87 AKI). Pretējā gadījumā izstrādājums var tikt bojāts.

1. Lēni atveriet degvielas tvertnes vāciņu, lai samazinātu spiedienu.
2. Lēni uzpildiet ar degvielas kannu. Ja esat izšļakstījis degvielu, noīriet to ar drāniņu un ļaujiet atlikušajai degvielai nožūt. (Att. 24)
3. Noīriet vietu ap degvielas tvertnes vāciņu.
4. Pilnībā piegrieziet degvielas tvertnes vāciņu. Ja degvielas tvertnes vāciņš nav piegriezts, pastāv aizdegšanās risks.
5. Pirms iedarbināšanas pārvietojiet izstrādājumu vismaz 3 m (10 pēdu attālumā) no vietas, kur veicāt uzpildi.

Pļaušanas augstuma regulēšana

1. Lai palielinātu griešanas augstumu, pārvietojiet griešanas augstuma sviru uz aizmuguri.
2. Lai samazinātu griešanas augstumu, pārvietojiet griešanas augstuma sviru uz priekšu. (Att. 25)



IEVĒROJIET: Neiestatiet griešanas augstumu pārāk zemu. Ja zāliena virsma nav līdzena, asmeņi var saskarties ar zemi.

Izstrādājuma iedarbināšana

1. Pārlicinieties, vai aizdedzes vads ir pievienots aizdedzes svecei.
2. Stāviet aiz izstrādājuma.
3. Turiet dzinēja bremžu rokturi pretī stūrei. (Att. 26)
4. Turiet startera auklas rokturi ar labo roku.
5. Lēni velciet startera auklu, līdz sajūtat pretestību.
6. Lai iedarbinātu dzinēju, spēcīgi to pavelciet.



BRĪDINĀJUMS: Netiniet startera auklu ar roku.

Piedziņas izmantošana riteņiem LC 151S & LB 256SP

- Pabīdiet piedziņas rokturi stūres virzienā. (Att. 27)
- Atlaidiet piedziņas rokturi, lai atvienotu piedziņu, piemēram, ja ejat tuvu šķērslim.
- Pirms velkat izstrādājumu uz aizmuguri, atvienojiet piedziņu un pastumiet izstrādājumu uz priekšu par aptuveni 10 cm.

Piedziņas izmantošana riteņiem (LB 251S)

- Velciet piedziņas sviru stūres virzienā. (Att. 28)
- Paspiediet sviru virzienā prom no stūres, lai atvienotu piedziņu, piemēram, pārvietojoties šķēršļa tuvumā.

Piezīme: Piedziņas svira automātiski tiek atvienota, kad atbrīvojat dzinēja bremzes rokturi.

- Pirms velkat izstrādājumu uz aizmuguri, paspiediet piedziņas sviru virzienā prom no roktura un pastumiet izstrādājumu uz priekšu aptuveni 10 cm, lai pilnībā atvienotu piedziņu.

Izstrādājuma izslēgšana

- Lai izslēgtu tikai piedziņu, atbrīvojiet piedziņas rokturi (LC 151S, LB 256SP) vai piedziņas sviru (LB 251S).
- Lai apturētu dzinēju, atlaidiet dzinēja bremžu rokturi.

Izstrādājuma lietošana ar zāles savācēju (LC 151, LC 151S)



BRĪDINĀJUMS: Nelietojiet izstrādājumu bez uzstādīta zāles savācēja vai ar neaizvērtu aizmugurējo pārsegu. Var tikt izsviesti priekšmeti, un operatoram var tikt radīta trauma.

1. Paceliet aizmugurējo pārsegu un noņemiet mulčēšanas piederumu (ja tas ir uzstādīts). (Att. 29)
2. Samontējiet zāles savācēju; skatiet šeit: *Zāles savācēja (LC 151, LC 151S) montāža lpp. 233.*
3. Novietojiet zāles savācēju uz skavas.
4. Atlaidiet aizmugurējo pārsegu un novietojiet virs zāles maisa rāmja. (Att. 30)

Izstrādājuma iestatīšana mulčēšanas režīmā (LC 151, LC 151S)

Pirms izstrādājuma iestatīšanas mulčēšanas režīmā pārlicinieties, vai ir izslēgts dzinējs.

1. Paceliet aizmugurējo pārsegu un noņemiet zāles savācēju (ja tas ir uzstādīts).
2. Ievietojiet mulčēšanas ieliktni zāles izmešanas atverē. (Att. 31)
3. Aizveriet aizmugurējo pārsegu un pārlicinieties, vai tas cieši pieguļ mulčēšanas piederumam.
4. Nomainiet asmeni pret mulčēšanas asmeni, kas tiek nodrošināts mulčēšanas komplektā. Skatiet šeit: *Asmens nomaiņšana lpp. 236.*

Izstrādājuma iestatīšana sānu izmetes režīmā

1. Paceliet aizmugurējo pārsegu un noņemiet zāles maisu (ja tas ir uzstādīts).
2. Aizveriet aizmugurējo pārsegu un pārlicinieties, vai tas cieši pieguļ izstrādājumam.
3. Paceliet izmešanas bloķētāju. (Att. 32)
4. Atveriet sānu izmetes pārsegu un uzstādiet sānu izmetes novirzītāju uz balsta tapām. (Att. 33)
5. Sānu izmetes vākam ir cieši jāpieguļ sānu izmetes novirzītājam. Pirms izstrādājuma iedarbināšanas

pārliecinieties, vai sānu izmetes novirzītājs ir cieši piestiprināts.

Zāles savācēja iztukšošana



IEVĒROJIET: Lai novērstu zāles savācēja nolietošanas, paceliet to, kad pārvietojat.

1. Paceliet zāles savācēju, izmantojot rāmja rokturi.
2. Kad iztukšojat zāles savācēju, izmantojiet rāmja un maisa rokturi. (Att. 34)

Labā rezultāta panākšana

- Vienmēr lietojiet tikai asus asmenus. Lietojot trulu asmeni, pļaušanas rezultāts ir nevienmērīgs, un nopļautā zāles virsma kļūst dzeltena. Ass asmens arī patērē mazāk enerģijas nekā truls asmens.

- Nepļaujiet vairāk par $\frac{1}{3}$ no zāles garuma. Sākot pļaut zāli, izmantojiet augstāko griešanas augstumu. Pārbaudiet rezultātu un nolaidiet pļaušanas augstumu līdz pieņemamam līmenim. Ja zāle ir ļoti gara, pļaujiet lēni un, ja nepieciešams, dariet to divreiz.
- Katru reizi pļaujiet dažādos virzienus, lai zālienā neatstātu svītras.
- Paceliet aizmugurējo pārsegu un noņemiet zāles savācēju.
- Ja ir pievienots mulčēšanas aizbāznis un mulčēšanas asmens, noņemiet tos.
- Pirms produkta lietošanas aizveriet aizmugurējo vāku. Kad lietojat produktu, nogrieztā zāles tiek izvadīta zem aizmugurējā pārsega.

Apkope

Ievads



BRĪDINĀJUMS: Pirms veicat apkopi, izlasiet nodaļu par drošību un pārliecinieties, vai izprotat to.

Lai veiktu visus izstrādājuma apkopes un remonta darbus, ir nepieciešama īpaša apmācība. Mēs garantējam profesionāla remonta un apkopes pieejamību. Ja jūsu izplatītājs nav servisa pārstāvis, vērsieties pie viņa, lai iegūtu informāciju par tuvāko servisa pārstāvi.

Apkopes grafiks



IEVĒROJIET: Sagāžot izstrādājumu, pārliecinieties, lai gaisa filtrs būtu vērstis uz augšu, nevis pret zemi. Pastāv risks izraisīt dzinēja bojājumus.

Apkopes intervāli tiek aprēķināti atbilstoši izstrādājuma ikdienas lietošanai. Intervāli mainās, ja izstrādājumu neizmanto ikdienā.

Apkopei, kas atzīmēta ar zīmi *, skatiet instrukcijas sadaļā *Izstrādājuma drošības ierīces lpp. 231.*

Apkope	Katru dienu	Reizi mēnesī	Katru sezonu
Vispārējās pārbaudes veikšana	X		
Pārbaudiet eļļas līmeni	X		
Nomainiet eļļu (pirmo reizi pēc 5 h lietošanas, pēc tam — ik pēc 50 h lietošanas) ¹⁰⁶			X
Nofīriet izstrādājumu	X		
Pārbaudiet griešanas aprīkojumu	X		
Pārbaudiet griešanas pārsegu*	X		
Pārbaudiet dzinēja bremžu rokturi*	X		
Pārbaudiet slāpētāju*		X	
Pārbaudiet aizdedzes sveci. Ja nepieciešams, izfīriet vai nomainiet aizdedzes sveci.			X
Pārbaudiet gaisa filtru	X		

¹⁰⁶ Ja izstrādājums tiek izmantots ļoti lielas slodzes apstākļos vai augstā gaisa temperatūrā, nomainiet dzinēja eļļu ik pēc 25 stundām.

Apkope	Katru dienu	Reizi mēnesī	Katru sezonu
Iztīriet gaisa filtru ¹⁰⁷		X	
Nomainiet gaisa filtru.			X
Pārbaudiet degvielas sistēmu			X
Notīriet cilindra dzesēšanas spārņņus		X	
Pārbaudiet un noregulējiet sajūga trosi (LC 151S, LB 251S, LB 256SP)			X
Notīriet transmisijas pārsega apakšpusi (LB 251S)			X

Vispārējās pārbaudes veikšana

- Pārliecinieties, vai visi uzgriežņi un skrūves uz izstrādājuma ir pareizi pievilkti.

Produkta tīrīšana no ārpuses

- Izmantojiet suku, lai notīrītu lapas, zāli un neīrumus.
- Pārliecinieties, vai gaisa ieklūde dzinēja augšpusē nav bloķēta.
- Produktu nedrīkst skalot ar augstspiediena ūdens strūklu.
- Ja izstrādājuma tīrīšanai izmantojat ūdeni, nelejiet to tieši uz dzinēja.

Griešanas pārsega iekšējās virsmas tīrīšana

- Iztukšojiet degvielas tvertņi.
- Sagāziet izstrādājumu. Pārliecinieties, vai aizdedzes svece ir virzienā uz augšu.



IEVĒROJIET: Novietojot izstrādājumu ar gaisa filtru uz leju, var sabojāt dzinēju.

- Ar šļūteni noskalojiet griešanas pārsega iekšējo virsmu.

Transmisijas pārsega apakšpuses tīrīšana (LB 251S)

- Iztukšojiet degvielas tvertņi.
- Sagāziet izstrādājumu. Pārliecinieties, vai aizdedzes svece ir virzienā uz augšu.



IEVĒROJIET: Novietojot izstrādājumu ar gaisa filtru uz leju, var sabojāt dzinēju.

- Izskrūvējiet 7 skrūves. (Att. 35)
- Noņemiet transmisijas pārsegu.
- Notīriet virsmu ar suku.



IEVĒROJIET: Ūdens vai piesārņojums zem transmisijas pārsega var izraisīt transmisijas bojājumus.

- Uzstādiat transmisijas pārsegu un 7 skrūves.

Griešanas aprīkojuma pārbaudīšana



BRĪDINĀJUMS: Lai novērstu nejaušu palaišanu, atvienojiet aizdedzes vadu no aizdedzes sveces.



BRĪDINĀJUMS: Veicot griešanas aprīkojuma apkopi, velciet aizsargcimdus. Asmens ir ļoti ass, un ar to var viegli sagriezties.

- Pārbaudiet, vai griešanas aprīkojums nav bojāts vai ieplaisājis. Vienmēr nomainiet bojātu griešanas ierīci.
- Apskatiet asmeni, lai redzētu, vai tas nav bojāts vai truls.

Piezīme: Vajadzības gadījumā pēc asmens uzasināšanas to balansējiet. Ļaujiet servisa centram asināt, nomainīt un balansēt asmeni. Ja saskaraties ar šķērsli, kas liek izstrādājumam apstāties, nomainiet bojāto asmeni. Lai apkopes centra pārstāvis novērtē, vai asmens ir jāuzasina, vai arī tas ir jānomaina.

Asmens nomaiņšana

- Bloķējiet asmeni ar koka klucīti. (Att. 36)
- Izņemiet asmens skrūvi.
- Noņemiet asmeni.
- Pārbaudiet asmens atbalstu un asmens skrūvi, lai redzētu, vai nav bojājumu.
- Pārbaudiet dzinēja vārpstu, lai pārliecinātos, vai tā nav saliekta.
- Kad piestiprināt jauno asmeni, vērsiet asmens saliekto galus griešanas pārsega virzienā. (Att. 37)

¹⁰⁷ Ja izstrādājums tiek izmantots putekļainās vietās vai gaisā ir gruži, tīriet biežāk. Ja gaisa filtrs ir ļoti netīrs, nomainiet to.

- Pārliecinieties, vai asmens ir salāgots ar dzinēja vārpstas centru.
- Blokējiet asmeni ar koka klucīti. Piestipriniet atspērplāksni un piegrieziet skrūvi un plāksni ar 43 – 47 Nm griezes momentu. (Att. 38)
- Ar roku pagrieziet asmeni un pārbaudiet, vai tas griežas brīvi.



BRĪDINĀJUMS: Velciet biezus cimdus. Asmens ir ļoti ass, un ar to var viegli sagriezties.

- Iedarbiniet izstrādājumu, lai pārbaudītu asmeni. Ja asmens nav pareizi piestiprināts, izstrādājums vibrē vai plaušanas rezultāts nav apmierinošs.

Eļļas līmeņa pārbaude



IEVĒROJIET: Pārāk zems eļļas līmenis var izraisīt dzinēja bojājumus. Pirms iedarbināt izstrādājumu, pārbaudiet eļļas līmeni.

- Novietojiet izstrādājumu uz līdzenas virsmas.
- Noņemiet eļļas tvertnes vāciņu ar piestiprināto mērstieni.
- Notīriet no mērstiņa eļļu.
- Ievietojiet mērstieni pilnībā eļļas tvertnē, lai iegūtu pareizu priekšstatu par eļļas līmeni.
- Izņemiet mērstieni.
- Pārbaudiet eļļas līmeni uz mērstiņa.
- Ja eļļas līmenis ir pārāk zems, uzpildiet dzinēja eļļu un pārbaudiet eļļas līmeni vēlreiz.

Dzinēja eļļas nomaiņa



BRĪDINĀJUMS: Uzreiz pēc motora izslēgšanas dzinēja eļļa ir ļoti karsta. Ļaujiet dzinējam atdzist, pirms nolejat dzinēja eļļu. Ja esat uzšļakstījies dzinēja eļļu uz ādas, nomazgājiet to ar ziepēm un ūdeni.

(Att. 39)

- Darbiniet izstrādājumu, līdz degvielas tvertne ir tukša.
- Atvienojiet aizdedzes vadu no aizdedzes sveces.
- Noņemiet eļļas tvertnes vāciņu.
- Novietojiet trauku zem izstrādājuma, lai savāktu dzinēja eļļu.
- Sasveriet izstrādājumu, lai nolietu dzinēja eļļu no eļļas tvertnes.
- Uzpildiet ar vajadzīgā veida jaunu dzinēja eļļu, kas ieteikta sadaļā *Tehniskie dati lpp. 240*.
- Pārbaudiet eļļas līmeni. Skatiet šeit: *Eļļas līmeņa pārbaude lpp. 237*.

Aizdedzes sveces pārbaude



IEVĒROJIET: Vienmēr lietojiet ieteikto aizdedzes sveces tipu. Nepiemērota aizdedzes svece var radīt izstrādājuma bojājumus.

- Pārbaudiet aizdedzes sveci, ja dzinējam nepietiek jaudas, dzinēju nevar viegli iedarbināt vai arī tas nedarbojas pareizi tukšgaitā.
- Lai samazinātu nevēlamu materiālu uzkrāšanos uz aizdedzes sveces elektrodiem, ievērojiet turpmākos norādījumus.
 - Pārliecinieties, vai tukšgaitas apgriezīgu skaitu ir noregulēts pareizi.
 - Pārliecinieties, vai degvielas maisījums ir atbilstošs.
 - Pārliecinieties, vai gaisa filtrs ir tīrs.
- Ja aizdedzes svece ir nefira, notīriet to un pārbaudiet, vai atstatums starp elektrodiem ir pareizs; skatiet šeit: *Tehniskie dati lpp. 240*. (Att. 40)
- Ja nepieciešams, nomainiet aizdedzes sveci.

Gaisa filtrs

Nefīrs gaisa filtrs var sabojāt dzinēju vai izraisīt tā darbības traucējumus. Strādājot putekļainā vidē, gaisa filtra apkopi veiciet biežāk. Informāciju par gaisa filtra mainīšanas laiku skatiet šeit: *Apkope lpp. 235*.

Piezīme: Vienmēr nomainiet bojātu gaisa filtru.

Gaisa filtra noņemšana un uzstādīšana



BRĪDINĀJUMS: Lietojiet aizsargcimdus.

- Piespiediet skavas, kas fiksē gaisa filtra pārsegu.
- Uzmanīgi noņemiet no dzinēja gaisa filtra vāku (A).
- Noņemiet gaisa filtru (B). (Att. 41)
- Pārbaudiet, vai gaisa filtram nav bojājumu. Nomainiet bojātu gaisa filtru.
- Gaisa filtra tīrīšana un pārbaude. Skatiet: *Gaisa filtra tīrīšana lpp. 237*.
- Uzstādiet, veicot darbības pretējā secībā.

Gaisa filtra tīrīšana

Nefīrs gaisa filtrs var sabojāt dzinēju vai izraisīt tā darbības traucējumus. Putekļainos apstākļos biežāk veiciet gaisa attīrītāja apkopi.

Vairāk informācijas par to, kad ir jānomaina gaisa filtrs skatiet šeit: *Apkope lpp. 235*.

- Noņemiet gaisa filtra pārsegu un izņemiet filtru.
- Iztīriet filtru, padauzot to pret līdzenu virsmu. Nekad filtra tīrīšanai neizmantojiet šķīdinātāju ar benzīnu, petroleju, vai saspiestu gaisu.

Piezīme: Gaisa filtrus, kas tiek izmantoti ilgāku laiku, nevar pilnībā iztīrīt. Regulāri nomainiet gaisa filtru. Bojāti gaisa filtri noteikti ir jānomaina.

3. Uzstādot gaisa filtru, pārbaudiet, vai tas cieši pieguļ filtra turētājam.

Sānu izmetes novirzītāja pārbaude

Sānu izmetes novirzītājs ir piestiprināts izstrādājuma sānu izmetētājverei. Tas samazina risku, ka priekšmeti var tikt izsviesti operatora virzienā.

1. Pārbaudiet, vai nav bojāts sānu izmetes novirzītājs.
2. Pārbaudiet sānu izmetes novirzītāju. Pārbaudiet, vai nav redzamu bojājumu, piemēram, plaisu. Pārbaudiet arī, vai nav bojātas atsperes, kas piespiež durvis.
3. Nomainiet sānu izmetes novirzītāju un atsperes, ja tie ir bojāti.

Degvielas sistēmas pārbaude

- Pārbaudiet degvielas tvertnes vāciņu un degvielas tvertnes vāciņa blīvi, lai pārlecinātos, vai nav bojājumu.
- Pārbaudiet degvielas šļūtenes, lai pārbaudītu, vai nav noplūdes. Ja degvielas šļūtene ir bojāta, ļaujiet servisa pārstāvim to nomainīt.

Sajūga vada regulēšana (LC 151S, LB 251S, LB 256SP)

Tālāk norādītajos gadījumos sajūga vads ir jāsaīsina:

- Riteņu piedziņa nesaslēdzas, kad tiek pavilkts piedziņas rokturis vai apgriezīnu skaita regulēšanas svira.
- Izstrādājums pārvietojas lēni, kad riteņu piedziņa ir saslēgusies.

Tālāk norādītajos gadījumos sajūga vads ir jāpagarina:

- Izstrādājums pārvietojas, kad riteņu piedziņa nav saslēgusies.
- Sajūga vada regulēšana.
 - a) Lai saīsina sajūga vadu, pagrieziet regulēšanas skrūvi pretēji pulksteņa rādītāju kustības virzienam.
 - b) Lai pagarina sajūga vadu, pagrieziet regulēšanas skrūvi pulksteņa rādītāju kustības virzienā. (Att. 42)

Ja izstrādājuma pārvietošanās pēc regulēšanas joprojām nav apmierinoša, sazinieties ar izplatītāju, kas nodrošina servisu

Dzinēja problēmu novēršana

Problēma	Iespējamais iemesls	Risinājums
Nevar iedarbināt dzinēju.	Nav pareizi pievienots aizdedzes kabelis.	Pievienojiet aizdedzes kabeli aizdedzes svecei.
	Degvielas tvertne ir tukša.	Uzpildiet degvielas tvertni ar atbilstoša veida degvielu.
	Degviela ir veca.	Iztukšojiet degvielas tvertni un karburatoru. Ielejiet jaunu benzīnu.
	Karburatorā vai degvielas pievades caurulē ir netīrumi.	Iztīriet karburatoru un/vai degvielas caurulvadu.
	Ir bojāta aizdedzes svece.	Noregulējiet elektrodu atstarpī, notīriet vai nomainiet aizdedzes sveci.
Uz aizdedzes sveces ir degviela.	Notīriet aizdedzes sveci.	
Dzinēju nevar apturēt.	Bojāts apturēšanas mehānisms.	Atvienojiet aizdedzes vadu no aizdedzes sveces. Uzticiet izstrādājuma remontdarbus apstiprināta apkopes uzņēmuma pārstāvim.

Problēma	Iespējamais iemesls	Risinājums
Dzinējs darbojas nevienmēri.	Nav pareizi pievienots aizdedzes kabelis.	Pievienojiet aizdedzes kabeli aizdedzes svecei.
	Degvielas cauruļvadā ir netīrumi, vai degvielai ir beidzies derīgums.	Iztīriet degvielas cauruļvadu. Uzpildiet degvielas tvertni ar svaigu, atbilstošu degvielu.
	Aizsērējis degvielas tvertnes vāciņš.	Iztīriet degvielas tvertnes vāciņu.
	Degvielas sistēmā ir ūdens vai netīrumi.	Iztukšojiet degvielas tvertni. Uzpildiet degvielas tvertni ar svaigu, atbilstošu degvielu.
	Netīrs gaisa filtrs.	Iztīriet gaisa filtru.
	Jāregulē karburators.	Uzticiet karburatora regulēšanu apkopes darbiniekiem.
Dzinējs pārāk sakarst.	Dzinēja eļļas līmenis ir pārāk zems.	Iepildiet dzinēja eļļu.
	Nepietiekama gaisa plūsma.	Iztīriet gaisa filtru un gaisa filtra korpusu.
	Jāregulē karburators.	Uzticiet karburatora regulēšanu apkopes darbiniekiem.
Dzinējam darbojoties ar lielu apgriezību skaitu, rodas dzinēja aizdedzes kļūme.	Pārāk maza elektrodu atstarpe aizdedzes svecē.	Pielāgojiet elektrodu atstarpi.
Neparasti trokšņi dzinējā normālas slodzes apstākļos.	Nepareizs benzīna tips.	Iztukšojiet degvielas tvertni un karburatoru. Ielejiet jaunu benzīnu. Skatiet: <i>Degvielas uzpildīšana lpp. 233</i> . Ja problēma joprojām pastāv, sazinieties ar vietējo apkopes dīleri.
Dzinējs nedarbojas vienmēri tukšgaitas ātrumā.	Netīra aizdedzes svece, bojāts elektrods vai pārāk plata elektrodu atstarpe.	Noregulējiet elektrodu atstarpi vai nomainiet aizdedzes sveci.
	Jāregulē karburators.	Noregulējiet karburatoru.
	Netīrs gaisa filtrs.	Iztīriet gaisa filtru.

Pārvadāšana, glabāšana un utilizēšana

Transportēšana un glabāšana

- Attiecībā uz izstrādājuma un degvielas glabāšanu un transportēšanu pārliecinieties, vai nav noplūdes vai tvaiku. Dzirksteles vai atklātas liesmas, ko rada, piemēram, elektroierīces vai tvaika katli, var izraisīt ugunsgrēku.
- Vienmēr izmantojiet apstiprinātas tvertnes degvielas glabāšanai un transportēšanai.
- Iztukšojiet degvielas tvertni, pirms novietojat izstrādājumu glabāšanai uz ilgāku laiku. Nododiet degvielu piemērojamā utilizēšanas vietā.
- Transportēšanas laikā droši nostipriniet izstrādājumu, lai novērstu bojājumus un negadījumus.

- Glabājiet izstrādājumu norobežotā vietā, lai novērstu to, ka tam var piekļūt bērni vai personas, kam tas nav atļauts.
- Glabājiet izstrādājumu sausā vietā, kurā temperatūra nepazeminās zem 0°C.

Utilizēšana

- Ievērojiet vietējās pārstrādes prasības un piemērojamus noteikumus.
- Utilizējiet visas ķīmikālijas, piemēram, dzinēja eļļu vai degvielu, servisa centrā vai piemērojamā utilizācijas vietā.
- Kad izstrādājums vairs netiek izmantots, nosūtiet to Husqvarna izplatītājam vai nogādājiet to pārstrādes vietā.

Tehniskie dati

Tehniskie dati

	LC 151	LC 151S	LB 251S	LB 256SP
Dzinējs				
Zīmols	Husqvarna	Husqvarna	Husqvarna	Husqvarna
Dzinēja tips	Viena cilindra, 4 taktu, piespiedu gaisa dzesēšana, OHV	Viena cilindra, 4 taktu, piespiedu gaisa dzesēšana, OHV	Viena cilindra, 4 taktu, piespiedu gaisa dzesēšana, OHV	Viena cilindra, 4 taktu, piespiedu gaisa dzesēšana, OHV
Dzinēja tilpums, cm ³	166	166	166	166
Ātrums, apgriezieni minūtē	2800	2800	2800	2800
Dzinēja nomināljauda, kW ¹⁰⁸	2,7	2,7	2,7	2,7
Aizdedzes sistēma				
Aizdedzes svece	Husqvarna HQT-7	Husqvarna HQT-7	Husqvarna HQT-7	Husqvarna HQT-7
Atstarpe starp elektrodiem, mm	0,7–0,8	0,7–0,8	0,7–0,8	0,7–0,8
Degvielas un eļļošanas sistēma				
Dzinēja eļļošanas tips	Šķaideļošana	Šķaideļošana	Šķaideļošana	Šķaideļošana
Degvielas tvertnes ietilpība, litri	1,0	1,0	1,0	1,0
Eļļas tvertnes tilpums, litros	0.5	0,5	0,5	0.5
Dzinēja eļļa ¹⁰⁹	Husqvarna SAE 30	Husqvarna SAE 30	Husqvarna SAE 30	Husqvarna SAE 30
Svars				
Svars ar tukšu tvertni, kg	31,1	32,6	32,0	33,1
Trokšņa emisija¹¹⁰				
Skaņas intensitātes līmenis, izmērītais, dB (A)	96	96	95	97
Skaņas jaudas līmenis, garantētais, L _{WA} dB(A)	98	98	96	98
Skaņas līmeņi¹¹¹				

¹⁰⁸ Maksimāli pieļaujamā dzinēja jauda ir vidējā tipiskā ražošanas dzinēja neto jauda (pēc noteiktajiem aprg./min.) dzinēja modelim, kas mērita pēc SAE standarta J1349/ISO1585. Vairākumam dzinēju šis lielums var atšķirties no šeit norādītā. Faktiskā izejas jauda dzinējam, kas uzstādīts gala izstrādājumam, būs atkarīga no darbības ātruma, vides apstākļiem un citiem lielumiem.

¹⁰⁹ Ja SAE-30 eļļa tiek izmantota gaisa temperatūrā, kas ir zemāka par +5 °C, pastāv risks, ka dzinējs netiks pietiekami ieeļļots. Tas var radīt dzinēja bojājumus. Informāciju par zemu gaisa temperatūrai atbilstošu eļļu skatīt šeit: *Dzinēja eļļas nomaļa lpp. 237.*

¹¹⁰ Atbilstoši EK direktīvai 2000/14/EK trokšņa emisija apkārtne ir mērita kā trokšņa jauda (L_{WA}).

¹¹¹ Sniegtajos datos par skaņas spiediena līmeni tipiskā statistiskā izkliede ir 1,2 dB(A) (standartnovirze).

	LC 151	LC 151S	LB 251S	LB 256SP
Skaņas spiediena līmenis pie operatora auss, dB(A)	86	86	82	86
Vibrācijas līmeņi ¹¹²				
Stūres vibrācijas līmenis, m/s ²	8,5	8,5	4,7	7,5
Griešanas ierīce				
Pļaušanas augstums, mm	25–75	25–75	25–75	25–75
Pļaušanas platums, cm	510	510	510	560
Pļaušanas sistēma	Savākšana/Bio-Clip®/sānu izmete	Savākšana/Bio-Clip®/sānu izmete	BioClip®/Sānu izmete	BioClip®/Sānu izmete
Asmens — standarta	Savākšana 598562601	Savākšana 598562601	Mulčēšana 597683901	Mulčēšana 598563601
Asmens — piederums	Mulčēšana 597683901	Mulčēšana 597683901	–	–
Zāles savācēja tilpums, litri	65	65	–	–
Braukšana				
Kustības ātrums, km/h	–	3,6	4,0	3,6

¹¹² Sniegtajos datos par vibrācijas līmeni tipiska statistiskā izkliede ir 0,2 m/s² (standarta novirze).

EK atbilstības deklarācija

EK atbilstības deklarācija

Husqvarna AB, SE-561 82 Huskvarna, Zviedrija, tālr. nr.: +46-36-146500, apliecina, ka **zālesplāvējs Husqvarna LC 151, LC 151S, LB 251S, LB 256SP**, kas ražots sākot ar 2020. gadu, atbilst PADOMES DIREKTĪVAS prasībām:

- 2011. gada 8. jūnija direktīva **2011/65/ES** "par dažu bīstamu vielu izmantošanas ierobežošanu".
- 2006. gada 17. maijs, Direktīva **2006/42/EK**, "par mašīnu tehniku";
- 2014. gada 26. februāra direktīva **2014/30/ES** "par elektromagnētisko saderību";
- 2000. gada 8. maija direktīva **2000/14/EK** "par trokšņa emisiju vidē".

Lai iegūtu informāciju par trokšņa emisijām, skatiet sadaļu "Tehniskie dati".

Tiek piemēroti tālāk norādītie standarti.

EN ISO 5395-1:2013, EN ISO 5395-1:2013/A1, EN ISO 5395-2:2013, EN ISO 5395-2:2013/A1:2016, EN ISO 5395-2:2013/A2:2017, EN ISO 14982:2009

Ja nav norādīts citādi, ir spēkā iepriekš uzskaitīto standartu jaunākās publicētās versijas.

Pilnvarotā iestāde (LC 151, LC 151S, LB 256SP): **0036, TÜV SÜD Industrie Service GmbH, Westendstrasse 199, 80686 München, Germany** ir veikusi atbilstības novērtējumu saskaņā ar Direktīvas 2000/14/EK VI pielikumu.

Pilnvarotā iestāde (LB 251S): **0404, RISE SMP Svensk Maskinprovning AB, Box 7035, SE-750 07 Uppsala, Sweden** ir veikusi atbilstības novērtējumu saskaņā ar Direktīvas 2000/14/EK VI pielikumu.

Huskvarna, 2020-10-20



Claes Losdal, nodaļas vadītājs/dārzkopības izstrādājumi
(Pilnvarotais Husqvarna AB pārstāvis, kas atbild par tehnisko dokumentāciju)

Inhoud

Inleiding.....	243	Storingzoeken in de motor.....	253
Veiligheid.....	244	Vervoer, opslag en verwerking.....	254
Montage.....	247	Technische gegevens.....	255
Werking.....	247	EG verklaring van overeenstemming.....	257
Onderhoud.....	249		

Inleiding

Productbeschrijving

Het product is een roterende duwmaaier. Voor LC 151, LC 151S, bevestig de grasopvangbak om gras te verzamelen. Bevestig de uitworptrechter aan de zijkant voor zijuitworp van het gras. Voor LC 151, LC 151S, bevestig een mulchkit om het gras te snijden tot meststof.

Productoverzicht

(Fig. 1)

1. Handgreep
2. Motorremhendel
3. Aandrijfhendel (LC 151S, LB 256SP)
4. Aandrijfhendel (LB 251S)
5. Achterklep (LC 151, LC 151S)
6. Grasopvangbak (LC 151, LC 151S)
7. Knoppen voor de hoogteafstelling
8. Maaihoogtehendel
9. Oliedop en peilstok
10. Kap voor zijuitworp
11. Geluiddemper
12. Bougie
13. Carburateur
14. Brandstoftankdop
15. Symbolen
16. Kap van maaidek
17. Luchtfilter
18. Zijuitworp
19. Mulchkit (accessoire voor LC 151, LC 151S)
20. Startkoordgreep
21. Bedieningshandleiding

Symbolen op het product

- (Fig. 2) **WAARSCHUWING!** Wees voorzichtig en gebruik het product op de juiste manier. Dit product kan ernstig of fataal letsel toebrengen aan de gebruiker of anderen.
- (Fig. 3) Lees de bedieningshandleiding zorgvuldig door en zorg dat u de instructies hebt begrepen voordat u het product gebruikt.

Gebruik

Gebruik het product om gras te maaien. Gebruik het product niet voor andere taken.

- (Fig. 4) Kijk uit voor weggeslingerde en afgeketste voorwerpen.
- (Fig. 5) Houd personen en dieren op veilige afstand van het werkgebied.
- (Fig. 6) **Waarschuwing:** Houd handen en voeten uit de buurt van het roterende mes.
- (Fig. 7) **Waarschuwing:** Houd handen en voeten uit de buurt van draaiende onderdelen.
- (Fig. 8) Zet de motor uit en verwijder de ontstekingskabel voordat u reparaties of onderhoud uitvoert.
- (Fig. 9) Dit product voldoet aan de geldende EG-richtlijnen.
- (Fig. 10) Geluidsemisatie naar de omgeving volgens de richtlijn van de Europese Gemeenschap. De emissie van het product is vermeld in het hoofdstuk "Technische gegevens" en op het label.
- (Fig. 11) **Risico op brand.**
- (Fig. 12) Adem geen uitlaatgassen in. Uitlaatgassen van de motor bevatten koolmonoxide, een geurloos, giftig en uiterst gevaarlijk gas. Start de motor nooit binnenshuis of in gesloten ruimten.
- (Fig. 13) **Warm oppervlak.**
- (Fig. 14) Vul de motor met olie voordat u het product start.

Let op: Andere symbolen/stickers op het product hebben betrekking op certificeringseisen voor een aantal commerciële markten.

Productaansprakelijkheid

Zoals uiteengezet in de wet voor productaansprakelijkheid zijn wij niet aansprakelijk voor schade die door ons product wordt veroorzaakt, indien:

- het product niet goed is gerepareerd.
- het product is gerepareerd met onderdelen die niet van de fabrikant afkomstig zijn, of onderdelen die niet zijn goedgekeurd door de fabrikant.

- het product een accessoire bevat dat niet afkomstig is van de fabrikant of niet is goedgekeurd door de fabrikant.
- het product niet is gerepareerd door een erkend servicepunt of door een erkende autoriteit.

Euro V-emissies



WAARSCHUWING: De EU-typegoedkeuring van dit product vervalt als ongeoorloofde wijzigingen aan de motor aangebracht worden.

Veiligheid

Veiligheidsdefinitie

Waarschuwingen, voorzorgsmaatregelen en opmerkingen worden gebruikt om te wijzen op belangrijke delen van de handleiding.



WAARSCHUWING: Wordt gebruikt om te wijzen op de kans op ernstig of fataal letsel voor de gebruiker of omstanders wanneer de instructies in de handleiding niet worden gevolgd.



OPGELET: Wordt gebruikt indien er een risico bestaat op schade aan het product en andere eigendommen of aan de omgeving wanneer de instructies in de handleiding niet worden gevolgd.

Let op: Geven verdere informatie die nodig is in een bepaalde situatie.

Algemene veiligheidsinstructies



WAARSCHUWING: Lees de volgende waarschuwingen voordat u het product gaat gebruiken.

- Dit product is gevaarlijk als het verkeerd wordt gebruikt, of als u niet voorzichtig bent. Letsel of overlijden kunnen het gevolg zijn als u de veiligheidsvoorschriften negeert.
- Dit product produceert tijdens bedrijf een elektromagnetisch veld. Dit veld kan onder bepaalde omstandigheden de werking van actieve of passieve medische implantaten verstoren. Om het risico op ernstig of dodelijk letsel te beperken, raden we personen met een medisch implantaat aan om contact op te nemen met hun arts en de fabrikant van het medische implantaat alvorens dit product te gaan gebruiken.
- Wees altijd voorzichtig en gebruik uw gezond verstand. Als u niet zeker weet hoe u het product

moet bedienen in een bepaalde situatie, stop dan en informeer bij uw Husqvarna dealer voordat u verder gaat.

- Denk erom dat de bediener of gebruiker verantwoordelijk is voor ongelukken of beschadigingen aan eigendommen.
- Houd het product schoon. Zorg ervoor dat u de aanduidingen en stickers duidelijk kunt lezen.
- Laat niemand het product gebruiken tenzij u zeker weet dat deze de inhoud van de gebruikershandleiding hebben gelezen en begrepen.
- Laat het product niet door een kind bedienen.
- Houd kinderen uit het werkgebied. Er moet te allen tijde een verantwoordelijke volwassene aanwezig zijn.
- Laat het product niet bedienen door een persoon die de instructies niet heeft gelezen.
- Houd personen met een lichamelijke of geestelijke beperking die het product gebruiken, altijd in de gaten. Er moet te allen tijde een verantwoordelijke volwassene aanwezig zijn.
- Gebruik het product nooit als u moe of ziek bent, of onder invloed van alcohol, drugs of medicijnen verkeert. Dit heeft een negatief effect op uw visie, alertheid, coördinatie en oordeel.
- Gebruik het product niet als het defect is.
- Wijzig dit product niet of gebruik het niet als het door anderen kan zijn gewijzigd.
- Wijzig de afstelling voor de motortoerentalregeling niet.

Veiligheid van het werkgebied



WAARSCHUWING: Lees de volgende waarschuwingen voordat u het product gaat gebruiken.

- Verwijder objecten zoals takken, twijgen en stenen uit het werkgebied voordat u het product gaat gebruiken.
- Objecten die tegen de snijuitrusting aankomen, kunnen worden uitgeworpen en schade veroorzaken

aan personen en objecten. Houd omstanders en dieren op veilige afstand van het product.

- Gebruik het product nooit in slechte weersomstandigheden zoals mist, regen, sterke wind, hevige kou of als er gevaar is voor blikseminslag. Het gebruik van dit product bij slecht weer of op vochtige of natte plaatsen is vermoeiend. Slecht weer kan leiden tot gevaarlijke situaties zoals gladde ondergronden.
- Kijk uit voor personen, objecten en situaties die een veilig gebruik van het product kunnen verhinderen.
- Kijk uit voor obstakels zoals wortels, stenen, takjes, kuilen en greppels. Obstakels kunnen moeilijk te zien zijn door hoog gras.
- Gras maaien op hellingen kan gevaarlijk zijn. Gebruik het product niet op een helling van meer dan 15°.
- Gebruik het product dwars over het oppervlak van hellingen. Ga niet van boven naar beneden.
- Wees voorzichtig wanneer u in de buurt komt van onoverzichtelijke bochten en voorwerpen die uw zicht kunnen belemmeren.

Werkveiligheid



WAARSCHUWING: Lees de volgende waarschuwingen voordat u het product gaat gebruiken.

- Gebruik dit product alleen om gazons te maaien. Het is niet toegestaan om het product voor andere doeleinden te gebruiken.
- Maak altijd gebruik van persoonlijke beschermingsmiddelen. Zie *Persoonlijke beschermingsuitrusting op pagina 245*.
- Zorg ervoor dat u weet hoe u de motor in een noodsituatie snel kunt stoppen.
- Start de motor nooit in een gesloten ruimte of in de buurt van brandbaar materiaal. De uitlaatdampen van de motor zijn heet en kunnen vonken bevatten die brand kunnen veroorzaken.
- Gebruik dit product alleen als het mes en alle afdekkingen correct zijn bevestigd. Een verkeerd bevestigd mes kan losraken en letsel veroorzaken.
- Zorg ervoor dat het mes geen voorwerpen raakt zoals stenen en wortels. Hierdoor kan het mes beschadigen en de motoras verbuigen. Een gebogen as veroorzaakt zware trillingen en een zeer groot risico dat het mes losraakt.
- Stop het product onmiddellijk als het mes een voorwerp wordt geraakt of als zich trillingen voordoen. Ontkoppel de ontstekingskabel van de bougie. Controleer het product op schade. Repareer schade of laat een erkende servicewerkplaats de reparatie uitvoeren.
- Bevestig de motorremhendel nooit permanent aan de handgreep wanneer de motor wordt gestart.
- Plaats het product op een stabiele, vlakke ondergrond en start het. Zorg ervoor dat het mes

niet in aanraking komt met de grond of andere voorwerpen.

- Blijf altijd achter het product wanneer u het gebruikt.
- Zorg dat alle wielen op de grond blijven en houd 2 handen op de handgreep tijdens de bediening van het product. Houd uw handen en voeten uit de buurt van de roterende messen.
- Kantel het product niet terwijl de motor draait.
- Wees voorzichtig wanneer u het product naar achteren trekt.
- Til het product nooit op terwijl de motor draait. Als het product toch moet worden opgetild, zet dan eerst de motor uit en ontkoppel de ontstekingskabel van de bougie.
- Loop niet achteruit wanneer u het product bedient.
- Stop de motor als u in gebieden zonder gras komt, bijvoorbeeld op paden van grind, stenen en asfalt.
- Loop niet hard met het product wanneer de motor is ingeschakeld. Loop altijd rustig wanneer u het product bedient.
- Zet de motor uit voordat u de maaihoogte wijzigt. Voer nooit afstellingen uit terwijl de motor draait.
- Houd altijd toezicht op het product wanneer de motor draait. Schakel de motor uit en zorg ervoor dat de snijuitrusting niet draait.

Veiligheidsinstructies voor bediening

Persoonlijke beschermingsuitrusting



WAARSCHUWING: Lees de volgende waarschuwingen voordat u het product gaat gebruiken.

- Persoonlijke beschermingsuitrusting kunnen niet alle risico's uitsluiten maar kunnen de ernst van eventueel letsel helpen beperken. Vraag uw dealer u te helpen bij het kiezen van de juiste beschermingsmiddelen.
- Gebruik gehoorbescherming als het geluidsniveau hoger is dan 85 dB.
- Gebruik zware anti-slipplaatzen of -schoenen. Draag geen open schoenen en loop niet op blote voeten.
- Draag een lange broek van stevige stof.
- Draag zo nodig beschermende handschoenen, bijvoorbeeld bij het monteren, inspecteren of reinigen van de snijuitrusting.

Veiligheidsvoorzieningen op het product



WAARSCHUWING: Lees de volgende waarschuwingen voordat u het product gaat gebruiken.

- Gebruik het product nooit wanneer de veiligheidsvoorzieningen defect zijn.
- Controleer de veiligheidsvoorzieningen regelmatig op een juiste werking. Als de

veiligheidsvoorzieningen defect zijn, neem dan contact op met uw Husqvarna servicewerkplaats.

De kap van het maaidek controleren

De kap van het maaidek vermindert trillingen in het product en vermindert het risico op letsel door het mes.

- Controleer de kap van het maaidek om te zien of er geen schade is, zoals barsten.

De remhendel van de motor controleren

De motorrem schakelt de motor uit. Als de remhendel van de motor wordt losgelaten, stopt de motor.

- Start de motor en laat vervolgens de remhendel van de motor los. Als de motor niet binnen 3 seconden stopt, laat u een erkende Husqvarna servicewerkplaats de motorrem afstellen. (Fig. 15)

De achterklep controleren

De achteruitwerp verkleint het risico dat objecten in de richting van de gebruiker worden uitgeworpen.

- Controleer of de achterklep niet beschadigd is.
- Controleer of de veren die de achterklep sluiten niet beschadigd zijn.
- Vervang beschadigde veren en onderdelen.
- Controleer of de achterklep soepel kan bewegen op de scharnieren.

Geluiddemper

De uitlaatdemper is bedoeld om het geluidsniveau zo laag mogelijk te houden en om de uitlaatgassen weg te voeren van de gebruiker.

Gebruik het product niet als de demper ontbreekt of beschadigd is. Bij een defecte uitlaatdemper stijgt het geluidsniveau en neemt het risico op brand toe.



WAARSCHUWING: De uitlaatdemper wordt erg heet tijdens en na gebruik en wanneer de motor draait bij stationair toerental. Wees voorzichtig in de buurt van brandbare materialen en/of dampen om brand te voorkomen.

Geluiddemper controleren

- Inspecteer de uitlaatdemper regelmatig om te verifiëren of die goed vastzit en niet beschadigd is.

Brandstofveiligheid



WAARSCHUWING: Lees de volgende waarschuwingen voordat u het product gaat gebruiken.

- Start het product niet als er brandstof of motorolie op het product aanwezig is. Verwijder de ongewenste brandstof/olie en laat het product drogen.

- Als u brandstof op uw kleding morst, trek dan direct andere kleding aan.
- Zorg dat er geen brandstof op uw lichaam terecht komt, dit kan letsel veroorzaken. Als er brandstof op uw lichaam terecht komt, verwijder deze dan met water en zeep.
- Start het product niet als er sprake is van een motorlekkage. Controleer de motor regelmatig op lekkage.
- Wees voorzichtig met brandstof. Brandstof is licht ontvlambaar en de dampen zijn explosief. Ze kunnen letsel veroorzaken of leiden tot de dood.
- Adem geen brandstofdampen in, dit kan letsel veroorzaken. Zorg voor voldoende ventilatie.
- Rook niet in de buurt van de brandstof of de motor.
- Plaats geen warme voorwerpen in de buurt van de brandstof of de motor.
- Vul geen brandstof bij terwijl de motor is ingeschakeld.
- Zorg ervoor dat de motor koud is wanneer u brandstof bijvult.
- Draai de tankdop langzaam open en laat de druk voorzichtig ontsnappen voordat u brandstof bijvult.
- Vul geen brandstof voor de motor bij in een afgesloten ruimte. Onvoldoende ventilatie kan leiden tot ernstig letsel of de dood door verstikking of het inademen van koolmonoxide.
- Draai de tankdop volledig aan. Als de tankdop niet volledig is aangedraaid, bestaat een risico op brand.
- Verplaats het product minstens 3 m van de plaats waar u de brandstoftank hebt gevuld, voordat u het product start.
- Vul de brandstoftank niet volledig. Door hitte zet de brandstof uit. Zorg ervoor dat er ruimte overblijft aan de bovenkant van de brandstoftank.

Veiligheidsinstructies voor onderhoud



WAARSCHUWING: Lees de volgende waarschuwingen voordat u het product gaat gebruiken.

- Uitlaatgassen van de motor bevatten koolmonoxide, een geurloos, giftig en uiterst gevaarlijk gas. Start de motor nooit binnenshuis of in gesloten ruimten.
- Voordat u het onderhoud van het product uitvoert, zet u de motor uit en verwijdt u de ontstekingskabel van de bougie.
- Draag beschermende handschoenen wanneer u onderhoud aan de snijuitrusting uitvoert. Het mes is zeer scherp en kan gemakkelijk snijwonden veroorzaken.
- Accessoires en wijzigingen aan het product die niet zijn goedgekeurd door de fabrikant, kunnen leiden tot ernstig letsel of overlijden. Breng geen wijzigingen aan het product aan. Gebruik alleen accessoires die zijn goedgekeurd door de fabrikant.

- Als het onderhoud niet correct en regelmatig wordt uitgevoerd, neemt de kans op letsel of schade aan het product toe.
- Voer alleen onderhoud uit zoals beschreven in deze gebruikershandleiding. Alle overige onderhoudswerkzaamheden moeten worden uitgevoerd door een erkende Husqvarna servicewerkplaats.
- Laat een erkende Husqvarna servicewerkplaats regelmatig onderhoud aan het product uitvoeren.
- Vervang beschadigde, versleten of defecte onderdelen.

Montage

Inleiding



WAARSCHUWING: Voordat u het product gaat monteren, dient u het hoofdstuk over veiligheid te lezen en hebben begrepen.



WAARSCHUWING: Verwijder de bougiekabel van de bougie voordat u het product monteert.

De hendel monteren

1. Duw de schroef (A) door de handgreep (B), de kunststof ring (C) en de steunbeugel van de handgreep (D). (Fig. 16)
2. Draai de moer (E) volledig vast.
3. Duw de schroef (F) door de ring (G) en de steunbeugel van de handgreep. (Fig. 17)
4. Draai de knop (H) volledig vast.

De handgreep afstellen

1. Draai de onderste knoppen los.
2. Beweeg de knoppen naar het onderste uiteinde van de sleuven aan de linker- en rechterzijde van het product. (Fig. 18)
3. Stel de hendelhoogte af op een van de twee beschikbare posities.

4. Beweeg de knoppen omhoog naar de handgreep tot de aanslag en u een klik hoort. (Fig. 19)
5. Draai de knoppen volledig vast.

Product in de transportstand zetten

1. Draai de onderste knoppen los.
2. Beweeg de knoppen naar het onderste uiteinde van de sleuven aan de linker- en rechterzijde van het product. (Fig. 18)
3. Klap de hendel naar voren. (Fig. 20)

Product in de werkstand zetten

1. Klap de handgreep omhoog. (Fig. 21)
2. Beweeg de knoppen omhoog naar de handgreep tot de aanslag en u een klik hoort. (Fig. 19)
3. Draai de knoppen volledig vast.

Grasopvangbak monteren (LC 151, LC 151S)

1. Breng het frame van de grasopvangbak aan in de graszak met het stevige gedeelte van de zak aan de onderzijde. Houd de hendel van het frame aan de buitenkant van de bovenkant van de zak. (Fig. 22)
2. Monteer de graszak en bevestig deze aan het frame met de klemmen. (Fig. 23)

Werking

Inleiding



WAARSCHUWING: Voordat u het product gaat gebruiken, dient u het hoofdstuk over veiligheid te lezen en hebben begrepen.

Husqvarna Connect

Husqvarna Connect is een gratis app voor uw mobiele apparaat. De Husqvarna Connect-app biedt uitgebreide functies voor uw Husqvarna-product:

- Uitgebreide productinformatie.
- Informatie over, en hulp bij, onderdelen en onderhoud van uw product.

Husqvarna Connect gebruiken

1. Download de Husqvarna Connect-app op uw mobiele apparaat.
2. Registreer in de Husqvarna Connect-app.
3. Volg de instructies in de Husqvarna Connect-app om verbinding te maken met het product en dit te registreren.

Voordat u het product gaat bedienen

1. Lees de gebruikershandleiding zorgvuldig door en zorg dat u de instructies hebt begrepen.
2. Controleer de snijuitrusting om te zien of deze correct is gemonteerd en afgesteld. Zie *Snijuitrusting controleren op pagina 251*.

3. Vul de brandstoftank. Zie *Brandstof bijvullen op pagina 248*.
4. Vul de olietank en controleer het oliepeil. Zie *Oliepeil controleren op pagina 251*.

Brandstof bijvullen

Gebruik emissiearme of alkylaatz benzine, indien beschikbaar. Als er geen emissiearme of alkylaatz benzine beschikbaar is, gebruik dan een loodvrije benzine van goede kwaliteit, of loodhoudende benzine met een octaangetal dat niet lager is dan 90.



OPGELET: Gebruik geen benzine met een octaangetal lager dan 90 RON (87 AKI). Dit kan schade aan het product veroorzaken.

1. Draai de brandstoftankdop langzaam los om de druk te laten ontsnappen.
2. Vul langzaam met een benzinejerrycan. Als u brandstof morst, verwijder deze dan met een doek en laat de resterende brandstof opdrogen. (Fig. 24)
3. Maak het gebied rondom de brandstoftankdop goed schoon.
4. Draai de tankdop volledig aan. Als de tankdop niet volledig is aangedraaid, bestaat een risico op brand.
5. Verplaats het product minstens 3 m (10 ft) van de plaats waar u de brandstoftank hebt gevuld, voordat u het product start.

Maaihoogte afstellen

1. Breng de maaihoogtehendel naar achteren om de maaihoogte te vergroten.
2. Breng de maaihoogtehendel naar voren om de maaihoogte te verkleinen. (Fig. 25)



OPGELET: Stel de maaihoogte niet te laag in. Als het oppervlak van het gazon niet waterpas is, kunnen de messen de grond raken.

Product starten

1. Controleer of de ontstekingskabel is verbonden met de bougie.
2. Blijf achter het product.
3. Houd de motorremhendel tegen de handgreep. (Fig. 26)
4. Houd het startkoord in uw rechterhand.
5. Trek het startkoord langzaam naar buiten totdat u enige weerstand voelt.
6. Krachtig trekken om de motor te starten.



WAARSCHUWING: Wikkel het startkoord niet rond uw hand.

De aandrijving op de wielen gebruiken LC 151S & LB 256SP

- Druk de aandrijfhendel in de richting van de handgreep. (Fig. 27)
- Laat de aandrijfhendel los om de aandrijving uit te schakelen, bijvoorbeeld wanneer u bij een obstakel komt.
- Voordat u het product naar achteren trekt, moet u de aandrijving uitschakelen en het product ongeveer 10 cm naar voren duwen.

De aandrijving op de wielen gebruiken (LB 251S)

- Trek de aandrijfhendel in de richting van de handgreep. (Fig. 28)
- Duw de aandrijfhendel weg van de handgreep om de aandrijving uit te schakelen, bijvoorbeeld wanneer u bij een obstakel komt.

Let op: De aandrijfhendel wordt automatisch uitgeschakeld als u de motorremhendel loslaat.

- Voordat u het product naar achteren trekt, duwt u de aandrijfhendel weg van de handgreep en duwt u het product ongeveer 10 cm naar voren om de aandrijving volledig uit te schakelen.

Product stoppen

- Als u de alleen de aandrijving wilt stoppen, laat u de aandrijfbestijging (LC 151S, LB 256SP) of de aandrijfhendel (LB 251S) los.
- Als u de motor wilt stoppen, laat u de motorremhendel los.

Het product gebruiken met de grasopvangbak (LC 151, LC 151S)



WAARSCHUWING: Gebruik het product niet zonder een grasopvangbak of zonder gesloten achterklep. Voorwerpen kunnen worden uitgeworpen en letsel veroorzaken bij de gebruiker.

1. Til de achterklep op en verwijder de mulchplug als deze is aangebracht. (Fig. 29)
2. Monteer de grasopvangbak, zie *Grasopvangbak monteren (LC 151, LC 151S) op pagina 247*.
3. Plaats de grasopvangbak op de steun.
4. Maak de achterklep los en plaats deze op het frame van de grasopvangzak. (Fig. 30)

Het product wijzigen naar mulchmodus (LC 151, LC 151S)

Zorg ervoor dat de motor is uitgeschakeld voordat u het product in de mulchmodus zet.

1. Til de achterklep op en verwijder de grasopvangbak, als deze is aangebracht.
2. Steek de mulchplug in het afvoerkanaal. (Fig. 31)
3. Sluit de achterklep en zorg ervoor dat deze stevig tegen de mulchplug zit.
4. Vervang het mes door het in de mulchkit meegeleverde mulchmes. Zie *Mes vervangen op pagina 251*.

Het product wijzigen naar zijuitworp

1. Til de achterklep op en verwijder de graszak, als deze is aangebracht.
2. Sluit de achterklep en zorg ervoor dat deze stevig tegen het product zit.
3. Til de trechtervergrendeling op. (Fig. 32)
4. Open de afdekking van de zijuitworp en breng de uitworpstrechter aan de zijkant aan op de steunpennen. (Fig. 33)
5. Laat de afdekking van de zijuitworp tegen de uitworpstrechter aan de zijkant sluiten. Zorg ervoor dat de uitworpstrechter aan de zijkant stevig op zijn plaats zit voordat u het product gebruikt.

De grasopvangbak legen



OPGELET: Til de grasopvangbak op wanneer u deze verplaatst om slijtage te voorkomen.

1. Til de grasopvangbak op met de framehendel.
2. Gebruik de framehendel en de zakhendel wanneer u de grasopvangbak leegt. (Fig. 34)

Een goed resultaat verkrijgen

- Gebruik altijd een scherp mes. Een bot mes geeft een onregelmatig resultaat en het snijvlak van het gras wordt geel. Een scherp mes verbruikt ook minder energie dan een bot mes.
- Maai nooit meer dan 1/3e van de lengte van het gras af. Gebruik de hoogste maaihoogte wanneer u het gras gaat maaien. Controleer het resultaat en verlaag de snijhoogte tot een geschikt niveau. Als het gras echt lang is, rijd dan langzaam en maai zo nodig 2 keer.
- Maai elke keer in een andere richting, om het ontstaan van strepen in het gazon te voorkomen.
- Til de achterklep op en verwijder de grasopvangbak.
- Verwijder aangekoppelde mulchpluggen en mulchmesses.
- Sluit de achterklep voordat u het product gebruikt. Wanneer u het product gebruikt, wordt het gemaaid gras onder de achterklep uitgeworpen.

Onderhoud

Inleiding



WAARSCHUWING: Voordat u onderhoud gaat uitvoeren, dient u het hoofdstuk over veiligheid te lezen en hebben begrepen.

Voor alle onderhouds- en reparatiewerkzaamheden aan het product is speciale training nodig. Wij garanderen de beschikbaarheid van professionele reparaties en onderhoud. Indien uw dealer geen servicewerkplaats heeft, vraag hem dan naar de dichtstbijzijnde servicewerkplaats.

Onderhoudsschema



OPGELET: Zorg ervoor dat het luchtfilter aan de bovenkant zit en de grond niet raakt wanneer u het product kantelt. Risico van schade aan de motor.

De onderhoudsintervallen worden berekend op basis van het dagelijks gebruik van het product. De intervallen veranderen als het product niet dagelijks wordt gebruikt.

Voor onderhoud dat is gemarkeerd met *: zie de instructies in *Veiligheidsvoorzieningen op het product op pagina 245*.

Onderhoud	Elke dag	Maandelijks	Elk seizoen
Algemene inspectie uitvoeren	X		
Motoroliepeil controleren	X		

Onderhoud	Elke dag	Maandelijks	Elk seizoen
De olie verversen (de eerste keer na 5 uur gebruik, vervolgens na elke 50 uur gebruik) ¹¹³			X
Product reinigen	X		
Snijuitrusting controleren	X		
Kap van het maaidek controleren *	X		
Motorremhendel controleren *	X		
Geluiddemper controleren *		X	
Controleer de bougie. Reinig of vervang de bougie indien nodig			X
Luchtfilter controleren	X		
Luchtfilter reinigen ¹¹⁴		X	
Vervang het luchtfilter			X
Brandstofsysteem controleren			X
Reinig de koelvinnen op de cilinder		X	
Controleer de koppingskabel en stel deze af (LC 151S, LB 251S, LB 256SP)			X
Reinig onder de transmissiekap (LB 251S)			X

Algemene inspectie uitvoeren

- Controleer of alle moeren en schroeven op het product goed zijn vastgedraaid.

Product aan de buitenkant reinigen

- Gebruik een borstel om bladeren, gras en vuil te verwijderen.
- Zorg dat de luchtinlaat op de bovenkant van de motor niet is geblokkeerd.
- Reinig het product niet met een hogedrukspuit.
- Als u water gebruikt om het product te reinigen, spuit dan geen water rechtstreeks op de motor.

Binnenoppervlak van de kap van het maaidek reinigen

- Leeg de brandstoftank.
- Kantel het product. Zorg ervoor dat de bougie omhoog wijst.



OPGELET: Als het product met het luchtfilter naar beneden wordt geplaatst, kan de motor beschadigd raken.

- Spuit de binnenkant van het maaidek schoon met water.

Reinigen onder de transmissiekap (LB 251S)

- Leeg de brandstoftank.
- Kantel het product. Zorg ervoor dat de bougie omhoog wijst.



OPGELET: Als het product met het luchtfilter naar beneden wordt geplaatst, kan de motor beschadigd raken.

- Verwijder de 7 schroeven. (Fig. 35)
- Verwijder de transmissiekap.
- Reinig het oppervlak met een borstel.



OPGELET: Water of verontreiniging onder de transmissiekap kan de transmissie beschadigen.

- Installeer de transmissiekap en draai de 7 schroeven vast.

¹¹³ Als het product wordt gebruikt onder zware belasting of bij hoge omgevingstemperaturen, moet de motorolie om de 25 uur worden verversd.

¹¹⁴ Reinig vaker onder stoffige omstandigheden of wanneer er vuil in de lucht aanwezig is. Vervang het luchtfilter als het erg vuil is.

Snijuitrusting controleren



WAARSCHUWING: Verwijder de ontstekingskabel van de bougie om te voorkomen dat de motor per ongeluk wordt gestart.



WAARSCHUWING: Draag beschermende handschoenen wanneer u onderhoud aan de snijuitrusting uitvoert. Het mes is zeer scherp en kan gemakkelijk snijwonden veroorzaken.

1. Controleer de snijuitrusting op beschadiging of scheuren. Vervang beschadigde snijuitrusting altijd.
2. Kijk naar het mes om te zien of dit is beschadigd of bot is.

Let op: Het mes moet na het slijpen worden gebalanceerd. Laat het slijpen, vervangen en balanceren door een servicecentrum uitvoeren. Als u een obstakel raakt waardoor het product stopt, vervang dan het beschadigde mes. Laat het servicecentrum beoordelen of het mes kan worden geslepen of moet worden vervangen.

Mes vervangen

1. Zet het mes vast met een houten blok. (Fig. 36)
2. Verwijder de mesbout.
3. Verwijder het mes.
4. Controleer de messteun en de mesbout om te zien of er schade is.
5. Controleer de motoras om te controleren of deze niet is verbogen.
6. Wanneer u het nieuwe mes bevestigt, richt dan de gebogen uiteinden van het mes naar de kap van het maaidek. (Fig. 37)
7. Controleer of het mes is uitgelijnd met het midden van de motoras.
8. Zet het mes vast met een houten blok. Bevestig de veerring en draai de bout en ring vast met een aanhaalmoment van 20 Nm.43 – 47 (Fig. 38)
9. Draai het mes met de hand rond en controleer of het vrij draait.



WAARSCHUWING: Draag handschoenen van dikke stof. Het mes is zeer scherp en kan gemakkelijk snijwonden veroorzaken.

10. Start het product om het mes te testen. Als het mes niet goed is bevestigd, zijn er trillingen in het product of is het maairesultaat niet goed.

Oliepeil controleren



OPGELET: Een te laag oliepeil kan ernstige schade aan de motor veroorzaken. Voer een controle van het oliepeil uit voordat u het product start.

1. Zet het product op een vlakke ondergrond.
2. Verwijder de olietankdop met de bijgevoegde peilstok.
3. Veeg de olie van de peilstok.
4. Steek de peilstok volledig in de olietank om een goed beeld van het oliepeil te krijgen.
5. Verwijder de peilstok.
6. Controleer het oliepeil op de peilstok.
7. Als het oliepeil laag is, vult u bij met motorolie en controleert u het oliepeil opnieuw.

De motorolie verversen



WAARSCHUWING: Motorolie is nog erg heet direct nadat de motor is uitgezet. Laat de motor afkoelen voordat u de motorolie aftapt. Als u motorolie morst op uw huid, was die dan af met water en zeep.

(Fig. 39)

1. Gebruik het product totdat de brandstoftank leeg is.
2. Verwijder de ontstekingskabel van de bougie.
3. Verwijder de olietankdop.
4. Plaats een opvangbak onder het product om de motorolie in op te vangen.
5. Kantel het product om de motorolie uit de olietank af te tappen.
6. Vul bij met nieuwe motorolie van het type dat wordt aanbevolen in *Technische gegevens op pagina 255*.
7. Controleer het oliepeil. Zie *Oliepeil controleren op pagina 251*.

Bougie controleren



OPGELET: Gebruik altijd het juiste bougietype. Een verkeerd type bougie kan schade aan het product veroorzaken.

- Controleer de bougie als de motor weinig vermogen heeft, niet gemakkelijk te starten is of stationair niet goed draait.
- Volg deze instructies om het risico van ongewenst materiaal op de elektroden van de bougie te beperken:
 - a) Zorg ervoor dat het stationair toerental altijd juist is afgesteld.
 - b) Zorg dat het brandstofmengsel correct is.
 - c) Zorg dat het luchtfilter schoon is.

- Maak de bougie schoon als deze vuil is en controleer of de afstand tussen de elektroden correct is, zie *Technische gegevens op pagina 255*. (Fig. 40)
- Vervang de bougie indien nodig.

Luchtfilter

Een vuil luchtfilter kan de motor beschadigen of ervoor zorgen dat deze niet goed werkt. Onderhoud het luchtfilter vaker in stoffige omstandigheden. Zie *Onderhoud op pagina 249* voor informatie over het vervangen van het luchtfilter.

Let op: Vervang een beschadigd luchtfilter altijd.

Het luchtfilter verwijderen en monteren



WAARSCHUWING: Draag veiligheidshandschoenen.

1. Duw de klemmen op het luchtfilterdeksel.
2. Verwijder voorzichtig het luchtfilterdeksel (A) van de motor.
3. Verwijder het luchtfilter (B). (Fig. 41)
4. Controleer het luchtfilter op beschadigingen. Vervang een beschadigd luchtfilter.
5. Reinig en controleer het luchtfilter. Zie *Het luchtfilter reinigen op pagina 252*.
6. Monteer in omgekeerde volgorde van verwijderen.

Het luchtfilter reinigen

Een vuil luchtfilter kan de motor beschadigen of ervoor zorgen dat deze niet goed werkt. Onderhoud de luchtreiniger vaker in stoffige omstandigheden.

Zie *Onderhoud op pagina 249* voor informatie over het vervangen van het luchtfilter.

1. Verwijder het luchtfilterdeksel en verwijder het filter.
2. Reinig het filter door het uit te kloppen op een plat oppervlak. Gebruik geen oplosmiddelen met aardolie, kerosine of perslucht om het filter te reinigen.

Let op: Luchtfilters die lange tijd zijn gebruikt, kunnen niet volledig worden gereinigd. Vervang het luchtfilter regelmatig. Beschadigde luchtfilters moeten altijd vervangen worden.

3. Zorg er bij het monteren van het luchtfilter voor dat het volledig tegen de filterhouder zit.

De uitworptrechter aan de zijkant controleren

De uitworptrechter aan de zijkant is bevestigd aan de uitvoeropening aan de zijkant van het product. Het vermindert de kans dat objecten worden uitgeworpen in de richting van de maaipositie van de gebruiker.

1. Controleer of de uitworptrechter aan de zijkant niet beschadigd is.
2. Controleer de uitworptrechter aan de zijkant. Controleer of u geen defecten ziet, zoals barsten of defecte veren die de deur dichtdrukken.
3. Vervang de uitworptrechter aan de zijkant of de veren als deze beschadigd zijn.

Brandstofsysteem controleren

- Controleer de brandstoftankdop en de afdichting van de brandstoftankdop om te zien of er geen schade is.
- Controleer de brandstofslang om te controleren of er geen lekken zijn. Als de brandstofslang beschadigd is, laat deze dan door een servicemonteur vervangen.

De koppelingskabel afstellen (LC 151S, LB 251S, LB 256SP)

In de volgende situaties moet de koppelingskabel worden ingekort:

- De aandrijving van de wielen wordt niet ingeschakeld wanneer u aan de aandrijfhendel of de snelheidsregelhendel trekt.
- Het product beweegt langzaam wanneer de aandrijving van de wielen is ingeschakeld.

In de volgende situaties moet de koppelingskabel worden verlengd:

- Het product beweegt wanneer de aandrijving van de wielen niet is ingeschakeld.
- Stel de koppelingskabel af.
 - a) Om de koppelingskabel in te korten, draait u de stelschroef linksom.
 - b) Om de koppelingskabel te verlengen, draait u de stelschroef rechtsom. (Fig. 42)

Neem contact op met uw servicedealer als het product na afstelling nog steeds niet naar tevredenheid rijdt

Storingzoeken in de motor

Probleem	Mogelijke oorzaak	Oplossing
De motor start niet.	De ontstekingskabel is niet correct aangesloten.	Sluit de ontstekingskabel aan op de bougie.
	De brandstoftank is leeg.	Vul de brandstoftank met het juiste type brandstof.
	De brandstof is oud.	Tap de brandstoftank en de carburateur af. Vul bij met nieuwe benzine.
	Vuil in de carburateur of brandstofleiding.	Reinig de carburateur en/of brandstofleiding.
	De bougie is defect.	Pas de elektrodenafstand aan of reinig of vervang de bougie.
	Er zit brandstof op de bougie.	Reinig de bougie.
De motor stopt niet.	Het stopmechanisme is defect.	Ontkoppel de ontstekingskabel van de bougie. Laat onderhoud aan het product uitvoeren door een erkende servicewerkplaats.
De motor loopt niet gelijkmatig.	De ontstekingskabel is niet correct aangesloten.	Sluit de ontstekingskabel aan op de bougie.
	De brandstofleiding is verontreinigd of de brandstof is verouderd.	Maak de brandstoftank schoon. Vul de brandstoftank met nieuwe brandstof van het juiste type.
	De brandstoftankdop is verstopt.	Reinig de brandstoftankdop.
	Er is water of vuil in het brandstofsysteem.	Tap de brandstoftank af. Vul de brandstoftank met nieuwe brandstof van het juiste type.
	Het luchtfilter is vuil.	Maak het luchtfilter schoon.
	De carburateur moet worden afgesteld.	Laat de carburateur afstellen door een servicedealer.
De motor wordt te heet.	Het motoroliepeil is te laag.	Vul motorolie bij.
	De luchtstroom is onvoldoende.	Reinig het luchtfilter en het luchtfilterhuis.
	De carburateur moet worden afgesteld.	Laat de carburateur afstellen door een servicedealer.
De motor slaat over wanneer deze op hoge snelheid draait.	De elektrodenafstand van de bougie is te klein.	Stel de elektrodenafstand af.
Ongewone geluiden van de motor tijdens normale belasting.	Verkeerd type benzine.	Tap de brandstoftank en de carburateur af. Vul bij met nieuwe benzine. Zie <i>Brandstof bijvullen op pagina 248</i> . Indien het probleem zich blijft voordoen, neem dan contact op met uw plaatselijke servicedealer.

Probleem	Mogelijke oorzaak	Oplossing
De motor draait niet soepel bij stationair toerental.	De bougie is vervuild, defect of de elektrodenafstand is te groot.	Pas de elektrodenafstand aan of vervang de bougie.
	De carburateur moet worden afgesteld.	Stel de carburateur af.
	Het luchtfilter is vuil.	Maak het luchtfilter schoon.

Vervoer, opslag en verwerking

Transport en opslag

- Controleer voor opslag en vervoer van het product en de brandstof of er geen lekken of dampen zijn. Vonken of open vuur, bijvoorbeeld van elektrische apparaten of ketels, kunnen tot brand leiden.
- Gebruik altijd goedgekeurde containers voor opslag en transport van brandstof.
- Leeg de brandstoftank voordat u het product voor langere tijd opslaat. De brandstof via een geschikte verwijderingslocatie afvoeren
- Zet het product tijdens het vervoer veilig vast om schade en ongevallen te voorkomen.
- Bewaar het product in een afgesloten ruimte om toegang door kinderen of onbevoegde personen te verhinderen.
- Bewaar het product in een droge en vorstvrije ruimte.

Afvoeren

- Neem de plaatselijk geldende wet- en regelgeving voor recycling in acht.
- Voer alle chemicaliën, zoals olie of brandstof, af via een servicecentrum of een geschikte verwijderingslocatie.
- Wanneer het product niet langer in gebruik is, stuur het dan naar een Husqvarna dealer of voer het af via een recyclingslocatie.

Technische gegevens

Technische gegevens

	LC 151	LC 151S	LB 251S	LB 256SP
Motor				
Merk	Husqvarna	Husqvarna	Husqvarna	Husqvarna
Motortype	Enkelvoudige cilinder, 4-takt, geforceerde luchtkoeling, bovenliggende kleppen	Enkelvoudige cilinder, 4-takt, geforceerde luchtkoeling, bovenliggende kleppen	Enkelvoudige cilinder, 4-takt, geforceerde luchtkoeling, bovenliggende kleppen	Enkelvoudige cilinder, 4-takt, geforceerde luchtkoeling, bovenliggende kleppen
Cilinderinhoud, cm ³	166	166	166	166
Toerental, tpm	2800	2800	2800	2800
Nominaal motorvermogen, kW ¹¹⁵	2,7	2,7	2,7	2,7
Ontstekingssysteem				
Bougie	Husqvarna HQT-7	Husqvarna HQT-7	Husqvarna HQT-7	Husqvarna HQT-7
Elektrodenafstand, mm	0,7-0,8	0,7-0,8	0,7-0,8	0,7-0,8
Brandstof-/smeersysteem				
Type motorsmeermiddel	Spatten	Spatten	Spatten	Spatten
Inhoud brandstoftank, liter	1,0	1,0	1,0	1,0
Inhoud olietank, liter	0,5	0,5	0,5	0,5
Motorolie ¹¹⁶	Husqvarna SAE 30	Husqvarna SAE 30	Husqvarna SAE 30	Husqvarna SAE 30
Gewicht				
Met lege tanks, kg	31,1	32,6	32,0	33,1
Geluidsemissies¹¹⁷				
Geluidsvermogeniveau, gemeten dB(A)	96	96	95	97
Geluidsvermogensniveau, gegarandeerd, L _{WA} dB (A)	98	98	96	98

¹¹⁵ Het aangegeven nominale vermogen van de motor heeft betrekking op het gemiddelde nettovermogen (bij het opgegeven toerental) van een typische productiemotor voor het betreffende motormodel, gemeten volgens de SAE-norm J1349/ISO1585. In massa geproduceerde motoren kunnen een afwijkende waarde geven. Het werkelijk geleverde vermogen van de geïnstalleerde motor in het product hangt af van de bedrijfssnelheid, de omgevingscondities en andere waarden.

¹¹⁶ Als SAE-30 olie wordt gebruikt bij temperaturen lager dan +5 °C bestaat het risico dat de motor niet voldoende wordt gesmeerd. Dit kan leiden tot schade aan de motor. Zie *De motorolie verversen op pagina 251* voor de juiste olie voor lage temperaturen.

¹¹⁷ Geluidsemissie naar de omgeving gemeten als geluidsvermogen (L_{WA}) volgens EG-richtlijn 2000/14/EG.

	LC 151	LC 151S	LB 251S	LB 256SP
Geluidsniveau¹¹⁸				
Geluidsdrukniveau bij het oor van de gebruiker, dB(A)	86	86	82	86
Trillingsniveau¹¹⁹				
Trillingsniveau handgreep, m/s ²	8,5	8,5	4,7	7,5
Snijuitrusting				
Maaihoogte, mm	25-75	25-75	25-75	25-75
Maaibreedte, mm	510	510	510	560
Maaisysteem	Opvang / Bio-Clip® / zijuitworp	Opvang / Bio-Clip® / zijuitworp	BioClip® / zijuitworp	BioClip® / zijuitworp
Blad - standaard	Opvang 598562601	Opvang 598562601	Mulch 597683901	Mulch 598563601
Blad - accessoire	Mulch 597683901	Mulch 597683901	–	–
Capaciteit grasopvangbak, liter	65	65	–	–
Aandrijving				
Loopsnelheid, km/h	–	3,6	4,0	3,6

¹¹⁸ De gerapporteerde gegevens voor het geluidsdrukniveau vertonen een typische statistische spreiding (standaardafwijking) van 1,2 dB (A).

¹¹⁹ De gerapporteerde gegevens voor een trillingsniveau vertonen een typische statistische spreiding (standaardafwijking) van 0,2 m/s².

EG verklaring van overeenstemming

EG verklaring van overeenstemming

Husqvarna AB, SE-561 82 Huskvarna, Zweden, tel.: +46-36-146500, verklaart dat de **gazonmaaier Husqvarna LC 151, LC 151S, LB 251S, LB 256SP** van het jaar 2020 en nieuwer, voldoet aan de voorschriften van de RICHTLIJN VAN DE RAAD:

- van 8 juni 2011 over de "beperking van het gebruik van bepaalde gevaarlijke stoffen" **2011/65/EU**
- van 17 mei 2006 "met betrekking tot machines" **2006/42/EG**
- van 26 februari 2014 "met betrekking tot elektromagnetische compatibiliteit" **2014/30/EU**
- van 8 mei 2000 "met betrekking tot geluidsemissies in het milieu" **2000/14/EG**

Zie Technische gegevens voor informatie over geluidsemissies.

De volgende normen zijn van toepassing:

EN ISO 5395-1:2013, EN ISO 5395-1:2013/A1, EN ISO 5395-2:2013, EN ISO 5395-2:2013/A1:2016, EN ISO 5395-2:2013/A2:2017, EN ISO 14982:2009

Tenzij anders vermeld, betreft het de meest recente versies van de hierboven genoemde normen.

Aangemelde instantie (LC 151, LC 151S, LB 256SP): **0036, TÜV SÜD Industrie Service GmbH, Westendstrasse 199, 80686 München, Germany** heeft de overeenstemming beoordeeld volgens bijlage VI van richtlijn 2000/14/EG.

Aangemelde instantie (LB 251S): **0404, RISE SMP Svensk Maskinprovning AB, Box 7035, SE-750 07 Uppsala, Sweden** heeft de overeenstemming beoordeeld volgens bijlage VI van richtlijn 2000/14/EG.

Huskvarna, 2020-10-20



Claes Losdal, Development Manager/Garden Products
(gemachtigde vertegenwoordiger voor Husqvarna AB en verantwoordelijk voor technische documentatie.)

INNHold

Innledning.....	258	Feilsøking på motoren.....	267
Sikkerhet.....	259	Transport, oppbevaring og avhending.....	268
Montering.....	261	Tekniske data.....	269
Drift.....	262	EF-samsvarserklæring.....	271
Vedlikehold.....	264		

Innledning

Produktbeskrivelse

Produktet er en roterende skyvegressklipper. For LC 151, LC 151S fester du oppsamleren for å samle opp gresset. Monter deflektoren for sideutkast for å kaste ut gresset. For LC 151, LC 151S fester du et finfordelingssett for å klippe gresset til gjødsel.

Produktoversikt

(Fig. 1)

1. Styre
2. Motorbremseshåndtak
3. Sikkerhetsbøyle (LC 151S, LB 256SP)
4. Kjølrespak (LB 251S)
5. Bakdeksel (LC 151, LC 151S)
6. Oppsamler (LC 151, LC 151S)
7. Knotter for justering styrehøyde
8. Spak for regulering av klippehøyde
9. Oljetanklokk og peilepinne
10. Sideutkastdeksel
11. Lyddemper
12. Tennplugg
13. Forgasser
14. Drivstofflokk
15. Symboler
16. Klippedeksel
17. Luffilter
18. Sidedeflektor
19. finfordelingssett (tilbehør til LC 151, LC 151S)
20. Startsnorhåndtak
21. Bruksanvisning

Symboler på produktet

- (Fig. 2) **ADVARSEL!** Vær forsiktig, og bruk produktet riktig. Dette produktet kan føre til alvorlig personskade eller død for operatøren eller andre.
- (Fig. 3) Les nøye gjennom bruksanvisningen og sørg for at du har forstått instruksjonene før bruk.

Bruksområder

Bruk produktet til å klippe gress. Ikke bruk produktet til andre oppgaver.

- (Fig. 4) Se opp for gjenstander som slynges ut og rikosjetterer.
- (Fig. 5) Hold personer og dyr på trygg avstand fra arbeidsområdet.
- (Fig. 6) Advarsel: Hold hender og føtter borte fra den roterende kniven.
- (Fig. 7) Advarsel: Hold hender og føtter borte fra bevegelige deler.
- (Fig. 8) Stopp motoren og fjern tenningskabelen før det utføres reparasjoner eller vedlikehold.
- (Fig. 9) Dette produktet er i overensstemmelse med gjeldende EU-direktiver.
- (Fig. 10) Støyutslipp til omgivelsene ifølge EFs direktiv. Produktutslippene angis i kapittelet Tekniske data og på klistremerket.
- (Fig. 11) Brannfare.
- (Fig. 12) Unngå å puste inn avgasser. Eksosen fra motoren inneholder karbonmonoksid, en luktfri, giftig og svært farlig gass. Ikke start motoren innendørs eller i lukkede rom.
- (Fig. 13) Varm overflate.
- (Fig. 14) Fyll motoren med olje før du starter produktet.

Merk: Øvrige symboler/klistremerker angitt på produktet gjelder sertifiseringskrav for enkelte markeder.

Produktansvar

Som nevnt i lovverket om produktansvar er vi ikke ansvarlig for skader som produktet vårt forårsaker, i følgende tilfeller:

- Produktet er reparert på feil måte.
- Produktet er reparert med deler som ikke kommer fra produsenten eller som ikke er godkjent av produsenten.
- Produktet har et tilbehør som ikke kommer fra produsenten eller som ikke er godkjent av produsenten.

- Produktet er ikke reparert på et godkjent servicesenter eller av en godkjent aktør.

Euro V-utslipp



ADVARSEL: Tukling med motoren opphever EU-type-godkjenningen til dette produktet.

Sikkerhet

Sikkerhetsdefinisjoner

Advarsler, oppfordringer og merknader brukes for å understreke spesielt viktige deler av bruksanvisningen.



ADVARSEL: Brukes hvis det er fare for personskade eller død for brukeren eller andre personer om instruksjonene i håndboken ikke følges.



OBS: Brukes hvis det er fare for skade på produktet, annet materiell eller nærliggende områder om instruksjonene i håndboken ikke følges.

Merk: Brukes for å gi mer nødvendig informasjon for en spesifikk situasjon.

Generelle sikkerhetsinstruksjoner



ADVARSEL: Les de følgende advarselinstruksjonene før du bruker produktet.

- Dette produktet er farlig hvis det brukes feil, eller hvis du ikke er forsiktig. Personskade eller død kan forekomme hvis du ikke følger sikkerhetsinstruksjonene.
- Dette produktet danner et elektromagnetisk felt når det er i bruk. Dette feltet kan under visse forhold forstyrre aktive eller passive medisinske implantater. For å redusere faren for hendelser som kan føre til alvorlig eller livstruende skade, anbefaler vi at personer med medisinske implantater rådfører seg med lege og produsenten av det medisinske implantatet før dette produktet tas i bruk.
- Vær alltid forsiktig og bruk sunn fornuft. Hvis du ikke er sikker på hvordan du skal bruke produktet i en bestemt situasjon, må du stoppe og snakke med Husqvarna-forhandleren før du fortsetter.
- Husk at brukeren er ansvarlig for ulykker som involverer andre personer eller deres eiendom.

- Hold produktet rent. Sørg for at du kan lese skilt og merker.
- Ikke la en person bruke produktet med mindre du forsikrer deg om at de har lest og forstått innholdet i bruksanvisningen.
- Ikke la barn bruke produktet.
- Hold barn borte fra arbeidsområdet. En ansvarlig voksen må alltid være til stede.
- Ikke la en person bruke produktet uten kunnskap om instruksjonene.
- Overvåk alltid personer med redusert fysisk eller mental kapasitet når de bruker produktet. En ansvarlig voksen må alltid være til stede.
- Ikke bruk produktet dersom du er trett eller syk eller under påvirkning av alkohol, andre rusmidler eller medisiner. Disse tingene har en negativ effekt på synet, vurderingsevnen og dømmekraften din.
- Ikke bruk produktet hvis det er defekt.
- Ikke modifiser dette produktet, og ikke bruk det dersom det er mulig at andre har modifisert det.
- Ikke endre justeringen for turtallsreguleringen.

Sikkerhet i arbeidsområdet



ADVARSEL: Les de følgende advarslene før du bruker produktet.

- Fjern gjenstander som greiner, kvister og steiner fra området før du bruker produktet.
- Gjenstander som treffer skjæutstyret, kan slynges ut og forårsake skade på personer og gjenstander. Hold tilskuere og dyr på trygg avstand fra produktet.
- Bruk aldri produktet i dårlig vær, for eksempel i tåke, regn, sterk vind, sterk kulde, eller ved fare for lyn. Det er slitsomt å bruke produktet i dårlig vær eller på fuktige eller våte steder. Dårlig vær kan forårsake farlige forhold, for eksempel glatt underlag.
- Hold utkikk etter personer, objekter og situasjoner som kan forhindre sikker bruk av produktet.
- Se etter hindringer, for eksempel røtter, steiner, kvister, fordypninger og grøfter. Høyt gress kan skjule hindringer.

- Det kan være farlig å klippe gress i skråninger. Ikke bruk produktet i skråninger som heller mer enn 15 grader.
- Bruk produktet på tvers av skråninger. Ikke gå opp og ned.
- Vær forsiktig når du nærmer deg skjulte hjørner eller gjenstander som blokkerer sikten.

Arbeidssikkerhet



ADVARSEL: Les de følgende advarslene før du bruker produktet.

- Bruk dette produktet bare til å klippe gressplener. Det er ikke tillatt å bruke det til andre formål.
- Bruk personlig verneutstyr. Se *Personlig verneutstyr på side 260*.
- Sørg for at du vet hvordan du stopper motoren raskt i en nødssituasjon.
- Start aldri motoren i et lukket rom eller i nærheten av brennbar materiale. Motorens avgasser er varme og kan inneholde gnister som kan forårsake brann.
- Ikke bruk produktet med mindre kniven og alle deksler er riktig montert. En kniv som er feilmontert, kan løsne og forårsake personskade.
- Pass på at kniven ikke kommer borti gjenstander som steiner og røtter. Dette kan gjøre skade på kniven og bøye motorakselen. En bøyd aksel kan forårsake mye vibrasjon og utgjør en svært høy fare for at kniven blir løs.
- Hvis kniven treffer en gjenstand eller det oppstår kraftige vibrasjoner, må produktet stanses øyeblikkelig. Koble tenningskabelen fra tennpluggen. Kontroller produktet for skader. Reparer skader, eller la et autorisert serviceverksted utføre reparasjon.
- Du må aldri feste motorbremsehåndtaket permanent til håndtaket når motoren er i gang.
- Plasser produktet på et stabilt, flatt underlag, og start det. Pass på at kniven ikke berører bakken eller andre gjenstander.
- Hold deg alltid bak produktet når du bruker det.
- La alle hjulene være på bakken, og hold begge hender på håndtaket når du bruker produktet. Hold hender og føtter borte fra de roterende knivene.
- Unngå å vippe produktet opp mens motoren er i gang.
- Vær forsiktig når du trekker produktet bakover.
- Du må aldri løfte produktet når motoren er i gang. Hvis du må løfte produktet, må du først stoppe motoren og koble tenningskabelen fra tennpluggen.
- Ikke gå bakover når du bruker produktet.
- Stopp motoren når du går over områder uten gress, for eksempel gangveier av grus, stein og asfalt.
- Ikke løp med produktet når motoren er på. Du må alltid gå mens du bruker produktet.
- Stopp motoren før du endrer klippehøyde. Utfør aldri justeringer mens motoren er i gang.

- La aldri produktet være ute av syne mens motoren er i gang. Stopp motoren, og forsikre deg om at skjærestyret ikke roterer.

Sikkerhetsinstruksjoner for drift

Personlig verneutstyr



ADVARSEL: Les de følgende advarslene før du bruker produktet.

- Verneutstyr kan aldri fullstendig forhindre skade, men det reduserer skadeomfanget hvis ulykken inntreffer. Spør forhandleren din om hjelp til å velge riktig utstyr.
- Bruk hørselsvern hvis støynivået er høyere enn 85 dB.
- Bruk kraftige, sklisikre støvler eller sko. Ikke bruk åpne sko eller gå barbeint.
- Bruk tykke langbukser.
- Bruk vernehansker når det er nødvendig, for eksempel når du fester, undersøker eller rengjør skjærestyret.

Sikkerhetsutstyr på produktet



ADVARSEL: Les de følgende advarselinstruksjonene før du bruker produktet.

- Ikke bruk produktet dersom sikkerhetsutstyret er defekt.
- Utfør regelmessig kontroll av sikkerhetsutstyret. Ta kontakt med ditt Husqvarna-serviceverksted, dersom sikkerhetsutstyret er defekt.

Slik kontrollerer du klippedekselet

Klippedekselet gir mindre vibrasjoner og minsker risikoen for skader forårsaket av kniven.

- Undersøk klippedekselet for å sikre at det ikke er noen skader, for eksempel sprekker.

Slik kontrollerer du motorbremsehåndtaket

Motorbremsehåndtaket stopper motoren. Når du slipper motorbremsehåndtaket, stopper motoren.

- Start motoren, og slipp deretter motorbremsehåndtaket. Hvis motoren ikke stopper innen tre sekunder, må du la et godkjent Husqvarna-serviceverksted justere motorbremsen. (Fig. 15)

Slik kontrollerer du det bakre dekselet

Den bakre deflektoren reduserer risikoen for at objekter kastes ut i retning av brukeren.

- Kontroller at det bakre dekselet ikke er skadet.
- Pass på at fjærene som lukker det bakre dekselet, ikke er skadet.

- Bytt ut skadede fjærer og deler.
- Kontroller at det bakre dekselet kan bevege seg jevnt på hengslene.

Lyddemper

Lyddemperen begrenser støynivået og sender avgassene bort fra brukeren.

Bruk ikke produktet hvis lyddemperen mangler eller er defekt. En defekt lyddemper øker støynivået og faren for brann.



ADVARSEL: Lyddemperen blir svært varm under og etter bruk, og når motoren går på tomgang. Vær forsiktig i nærheten av brannfarlige materialer og/eller avgasser for å unngå brann.

Slik kontrollerer du lyddemperen

- Kontroller lyddemperen regelmessig for å sikre at den er riktig montert og ikke skadet.

Drivstoffsikkerhet



ADVARSEL: Les de følgende advarslene før du bruker produktet.

- Ikke start produktet hvis det er drivstoff eller motorolje på produktet. Fjern uønsket drivstoff/olje, og la produktet tørke.
- Skift klær umiddelbart hvis du søler drivstoff på klærne.
- Ikke få drivstoff på kroppen, det kan føre til personskade. Bruk såpe og vann for å fjerne drivstoff hvis du får drivstoff på kroppen.
- Ikke start produktet hvis motoren lekker. Kontroller motoren for lekkasjer med jevne mellomrom.
- Vær forsiktig med drivstoff. Drivstoff er brannfarlig, og avgassene er eksplosive og kan forårsake personskade eller død.
- Ikke pust inn bensindamp, det kan føre til personskade. Pass på at det er tilstrekkelig luftstrøm.
- Du må ikke røyke i nærheten av drivstoff eller motoren.
- Ikke sett varme gjenstander i nærheten av drivstoff eller motoren.

- Ikke fyll på drivstoff når motoren er på.
- Kontroller at motoren er avkjølt før du fyller på drivstoff.
- Åpne tanklokket sakte og slipp ut trykket forsiktig før du fyller.
- Ikke fyll drivstoff på motoren innendørs. En utilstrekkelig luftstrøm kan føre til personskade eller dødsfall på grunn av kveling eller karbonmonoksidforgiftning.
- Trekk til drivstofflokket helt. Hvis drivstofflokket ikke er strammet, kan det utgjøre en risiko for brann.
- Flytt produktet minst 3 m (10 fot) fra stedet der du fylte tanken, før du starter det.
- Fyll ikke drivstofftanken helt opp. Varme fører til at drivstoffet utvider seg. Lad det være litt plass øverst i drivstofftanken.

Sikkerhetsinstruksjoner for vedlikehold



ADVARSEL: Les de følgende advarslene før du bruker produktet.

- Eksosen fra motoren inneholder karbonmonoksid, en luftfri, giftig og svært farlig gass. Ikke start motoren innendørs eller i lukkede rom.
- Før du utfører vedlikehold på produktet, må du stoppe motoren og fjerne tenningskabelen fra tennpluggen.
- Bruk vernehansker når du utfører vedlikehold på skjærestyret. Kniven er svært skarp, og det er lett å kutte seg.
- Tilbehør og endringer på produktet som ikke er godkjent av produsenten, kan føre til alvorlig personskade eller død. Ikke foreta endringer av produktet. Bruk bare tilbehør som er godkjent av produsenten.
- Hvis vedlikeholdet ikke utføres riktig og regelmessig, øker faren for personskade og skade på produktet.
- Bare utfør vedlikehold som beskrevet i denne brukerveiledningen. Alt annet vedlikehold må utføres av et godkjent Husqvarna-serviceverksted.
- La et godkjent Husqvarna-serviceverksted utføre service på produktet regelmessig.
- Skift ut alle skadde, slitte eller ødelagte deler.

Montering

Innledning



ADVARSEL: Før du monterer produktet, må du lese og forstå kapittelet om sikkerhet.



ADVARSEL: Fjern tennpluggkabelen fra tennpluggen før du monterer produktet.

Slik monterer du håndtaket

1. Dytt skruen (A) gjennom håndtaket (B), plastskiven (C) og støttebraketten på håndtaket (D). (Fig. 16)
2. Trekk til mutteren (E) helt.
3. Dytt skruen (F) gjennom skiven (G) og støttebraketten på håndtaket. (Fig. 17)
4. Trekk til knotten (H) helt.

Slik justerer du håndtaket

1. Løsne de nedre knottene.
2. Flytt knottene til den nedre enden av sporene på venstre og høyre side av produktet. (Fig. 18)
3. Angi høyden på håndtaket til én av de to tilgjengelige posisjonene.
4. Flytt knottene oppover i retning av håndtaket til de stopper og du hører et klikk. (Fig. 19)
5. Trekk til knottene helt.

Slik setter du produktet i transportstilling

1. Løsne de nedre knottene.

2. Flytt knottene til den nedre enden av sporene på venstre og høyre side av produktet. (Fig. 18)
3. Vipp styret forover. (Fig. 20)

Slik setter du produktet i driftsstilling

1. Fell opp styret til oppfelt posisjon. (Fig. 21)
2. Flytt knottene oppover i retning av styret til de stopper og du hører et klikk. (Fig. 19)
3. Trekk til knottene helt.

Slik monterer du oppsamleren (LC 151, LC 151S)

1. Fest oppsamlerammen til gressposen med den faste delen av posen på undersiden. Sørg for at styret på rammen er utenfor toppen av posen. (Fig. 22)
2. Fest gressposen til rammen ved hjelp av klemmene. (Fig. 23)

Drift

Innledning



ADVARSEL: Før du bruker produktet, må du lese og forstå kapittelet om sikkerhet.

Husqvarna Connect

Husqvarna Connect er en kostnadsfri app for mobilenheten din. Husqvarna Connect-appen gir utvidede funksjoner for Husqvarna-produktet ditt:

- utvidet produktinformasjon
- informasjon om og hjelp med produktdelel og service

Slik begynner du å bruke Husqvarna Connect

1. Last ned Husqvarna Connect-appen på mobilenheten din.
2. Utfør registrering i Husqvarna Connect-appen.
3. Følg instruksjonene i Husqvarna Connect-appen for å koble til og registrere produktet.

Før du bruker produktet

1. Les nøye gjennom bruksanvisningen, og sørg for at du har forstått instruksjonene.
2. Undersøk skjæreutstyret for å sikre at det er riktig festet og justert. Se *Slik kontrollerer du skjæreutstyret på side 265*.

3. Fyll drivstofftanken. Se *Slik fyller du drivstoff på side 262*.
4. Fyll oljetanken, og kontroller oljenivået. Se *Slik kontrollerer du oljenivået på side 265*.

Slik fyller du drivstoff

Bruk miljøbensin/alkylatbensin, hvis det er tilgjengelig. Hvis miljøbensin/alkylatbensin ikke er tilgjengelig, bruk blyfri bensin av god kvalitet eller blybensin med oktantal 90 eller høyere.



OBS: Ikke bruk bensin med et oktantal som er mindre enn 90 RON (87 AKI). Dette kan skade produktet.

1. Åpne drivstofflokket sakte for å slippe ut trykket.
2. Fyll langsomt med en bensinkanne. Hvis du søler drivstoff, kan du tørke det opp med en klut og la det som måtte være igjen, lufttørke. (Fig. 24)
3. Tørk rent rundt drivstofflokket.
4. Trekk til drivstofflokket helt. Hvis drivstofflokket ikke er strammet, kan det utgjøre en risiko for brann.
5. Flytt produktet minst 3 m fra stedet du fylte tanken før du starter det.

Slik regulerer du klippehøyden

1. Flytt spaken for klippehøyde bakover for å øke klippehøyden.

2. Flytt spaken for klippehøyde forover for å senke klippehøyden. (Fig. 25)



OBS: Ikke sett klippehøyden for lavt. Knivene kan treffe bakken hvis overflaten av plenen ikke er vannrett.

Slik starter du produktet

1. Sørg for at tenningskabelen er koblet til tennpluggen.
2. Stå bak produktet.
3. Hold motorbremsehåndtaket mot styret. (Fig. 26)
4. Hold i startsnorhåndtaket med høyrehånden.
5. Dra startsnoren langsomt ut til du kjenner litt motstand.
6. Trekk kraftig for å starte motoren.



ADVARSEL: Surr aldri startsnoren rundt hånden.

Slik brukes hjuldriften LC 151S & LB 256SP

- Skyv sikkerhetsbøylen i retning av styret. (Fig. 27)
- Løsne sikkerhetsbøylen for å frakoble driften, for eksempel når du går nær en hindring.
- Før du trekker produktet bakover, må du koble ut driften og skyve produktet forover med ca. 10 cm.

Slik brukes hjuldriften (LB 251S)

- Trekk kjørespaken i retning av styret. (Fig. 28)
- Skyv kjørespaken bort fra styret for å koble ut driften, for eksempel når du går nær en hindring.

Merk: Kjørespaken kobles ut automatisk hvis du slipper bremsehåndtaket.

- Før du trekker produktet bakover, skyver du kjørespaken bort fra styret og skyver produktet ca. 10 cm fremover for å koble drivsystemet helt ut.

Slik stopper du produktet

- Hvis du bare vil stoppe drivsystemet, må du frigjøre sikkerhetsbøylen (LC 151S, LB 256SP) eller kjørespaken (LB 251S).
- Hvis du vil stoppe motoren, slipper du motorbremsehåndtaket.

Slik bruker du produktet med oppsamleren (LC 151, LC 151S)



ADVARSEL: Ikke bruk produktet uten en oppsamler monteret, eller uten at det bakre dekselet er lukket. Objekter kan bli kastet ut og forårsake skade på brukeren.

1. Løft det bakre dekselet, og fjern finfordelingspluggen (hvis monteret). (Fig. 29)
2. Monter oppsamleren. Se *Slik monterer du oppsamleren (LC 151, LC 151S) på side 262.*
3. Sett oppsamleren på braketten.
4. Løsne det bakre dekselet, og plasser det oppå gressposerammen. (Fig. 30)

Slik bytter du til finfordelingsmodus (LC 151, LC 151S)

Kontroller at motoren er slått av før du bytter til finfordelingsmodus.

1. Løft det bakre dekselet, og fjern oppsamleren (hvis den er på).
2. Sett finfordelingspluggen inn i utkasterkanalen. (Fig. 31)
3. Lukk det bakre dekselet, og kontroller at det sitter tett inntil finfordelingspluggen.
4. Skift ut kniven med finfordelingskniven fra finfordelingssettet. Se *Slik bytter du kniven på side 265.*

Slik bytter du til modusen for sideutkast

1. Løft det bakre dekselet, og fjern gressposen (hvis den er på).
2. Lukk det bakre dekselet, og kontroller at det sitter tett inntil produktet.
3. Løft utkastlåsen. (Fig. 32)
4. Åpne sideutkastdekselet, og fest deflektoren for sideutkast til støttepinnene. (Fig. 33)
5. La sideutkastdekselet hvile mot deflektoren for sideutkast. Pass på at deflektoren for sideutkast sitter godt på plass før du begynner å bruke produktet.

Slik tømmer du oppsamleren



OBS: Løft oppsamleren når du flytter den, for å unngå slitasje.

1. Løft oppsamleren ved å holde i ramnehåndtaket.
2. Bruk ramnehåndtaket og oppsamlerhåndtaket når du tømmer oppsamleren. (Fig. 34)

Slik får du et godt resultat

- Bruk alltid en godt slipt kniv. En sløv kniv gir ujevnt resultat, og gressets klippeoverflate blir gul. En skarp kniv bruker også mindre energi enn en sløv kniv.
- Ikke klipp mer enn 1/3 av lengden på gresset. Bruk den høyeste klippehøyden når du begynner å klippe gresset. Undersøk resultatet, og senk klippehøyden til det aktuelle nivået. Hvis gresset er veldig langt, skyver du gressklipperen langsomt og klipper to ganger om nødvendig.

- Klipp i forskjellige retninger hver gang, for å unngå striper i plenen.
- Løft det bakre dekselet, og ta av oppsamleren.
- Hvis en finfordelingsplugg og en finfordelingskniv er festet, tar du dem av.
- Lukk bakdekselet før du bruker produktet. Når du bruker produktet, tømmes det klippede gresset under bakdekselet.

Vedlikehold

Innledning



ADVARSEL: Før du utfører vedlikeholdsarbeid, må du lese og forstå kapittelet om sikkerhet.

For alt vedlikehold og reparasjonsarbeid på produktet er det nødvendig med spesiell opplæring. Vi garanterer fagmessig reparasjon og service. Hvis forhandleren ikke er et serviceverksted, må du snakke med dem for å få informasjon om nærmeste serviceverksted.

Vedlikeholdsskjema



OBS: Sørg for at luftfilteret vender opp og ikke mot bakken når du vipper produktet. Fare for motorskade.

Vedlikeholdsintervallene er beregnet med utgangspunkt i daglig bruk av produktet. Intervallene kan endres hvis produktet ikke brukes daglig.

For vedlikehold merket med * kan du se instruksjonene i *Sikkerhetsutstyr på produktet på side 260.*

Vedlikehold	Daglig	Månedlig	Hver sesong
Utfør en generell inspeksjon.	X		
Kontroller oljenivået.	X		
Skift olje (første gang etter 5 timers bruk og deretter etter hver 50. times bruk). ¹²⁰			X
Rengjør produktet.	X		
Kontroller skjærestyret.	X		
Kontroller klippedekselet*.	X		
Kontroller motorbremseshåndtaket*.	X		
Kontroller lydempereen*.		X	
Kontroller tennpluggen. Rengjør eller skift tennpluggen når det er nødvendig.			X
Kontroller luftfilteret.	X		
Rengjør luftfilteret. ¹²¹		X	
Skift luftfilteret.			X
Kontroller drivstoffsystemet.			X
Rengjør kjøleflensene på sylindere		X	
Kontroller og juster clutchvaieren (LC 151S, LB 251S, LB 256SP).			X
Rengjør under transmisjonsdekselet (LB 251S).			X

¹²⁰ Hvis produktet brukes med tung belastning eller ved høye omgivelsestemperaturer, må motoroljen skiftes hver 25. time.

¹²¹ Rengjør oftere under støvete forhold eller når det er rusk i luften. Skift luftfilteret hvis det er veldig skittent.

Slik utfører du en generell inspeksjon

- Sørg for at alle mutre og skruer på produktet er trukket til ordentlig.

Slik rengjør du produktet på utsiden

- Bruk en børste for å fjerne løv, gress og smuss.
- Kontroller at luftinntaket på toppen av motoren ikke er blokkert.
- Produktet må ikke rengjøres med høytrykksspyler.
- Hvis du bruker vann til å rengjøre produktet, må du ikke spyle vann direkte på motoren.

Slik rengjør du den indre overflaten av klippedekselet

1. Tøm drivstofftanken.
2. Vipp produktet. Kontroller at tennpluggen peker opp.



OBS: Hvis produktet plasseres med luftfilteret ned, kan motoren bli skadet.

3. Spyl innsiden av klippedekselet med vann.

Slik rengjør du under transmisjonsdekselet (LB 251S)

1. Tøm drivstofftanken.
2. Vipp produktet. Kontroller at tennpluggen peker opp.



OBS: Hvis produktet plasseres med luftfilteret ned, kan motoren bli skadet.

3. Ta ut de 7 skruene. (Fig. 35)
4. Ta av transmisjonsdekselet.
5. Rengjør overflaten med en børste.



OBS: Vann eller forurensning under transmisjonsdekselet kan føre til skade på transmisjonen.

6. Monter transmisjonsdekselet og de syv skruene.

Slik kontrollerer du skjæreutstyret



ADVARSEL: For å hindre utilsiktet start må du fjerne tenningskabelen fra tennpluggen.



ADVARSEL: Bruk vernehansker når du utfører vedlikehold på skjæreutstyret. Kniven er svært skarp, og det er lett å kutte seg.

1. Kontroller skjæreutstyret med henblikk på skader og sprekkdannelse. Bytt alltid ut skadet skjæreutstyr.
2. Sjekk om kniven er skadet eller sløv.

Merk: Kniven må balanseres etter at den er slipt. La et servicesenter slipe, skifte og balansere kniven. Hvis du treffer en hindring som fører til at produktet stopper, må du skifte ut den skadde kniven. La serviceverkstedet vurdere om kniven kan slipes eller om den må skiftes ut.

Slik bytter du kniven

1. Lås kniven med en trekloss. (Fig. 36)
2. Fjern knivbolten.
3. Fjern kniven.
4. Undersøk knivstøtten og knivbolten for å se om det finnes skader.
5. Undersøk motorakselen for å forsikre deg om at den ikke er bøyd.
6. Når du fester den nye kniven, må du peke de vinklede endene av kniven i retning av klippedekselet. (Fig. 37)
7. Kontroller at kniven er på linje med midten av motorakselen.
8. Lås kniven med en trekloss. Fest sprengskiven, og trekk til bolten og skiven med et moment på 43 – 47 Nm. (Fig. 38)
9. Trekk kniven rundt for hånd for å kontrollere at den roterer fritt.



ADVARSEL: Bruk kraftige arbeidshansker. Kniven er svært skarp, og det er lett å kutte seg.

10. Start produktet for å teste kniven. Hvis kniven ikke er riktig tilkoblet, vil produktet vibrere, eller klipperesultatet vil ikke bli bra nok.

Slik kontrollerer du oljenivået



OBS: For lavt oljenivå kan forårsake alvorlige motorskader. Kontroller oljenivået før du starter produktet.

1. Sett produktet på et flatt underlag.
2. Ta av oljetankklokke med den medfølgende peilepinnen.
3. Fjern gjenværende olje fra peilepinnen.
4. Sett peilepinnen helt ned i oljetanken for å gi et korrekt bilde av oljenivået.
5. Fjern peilepinnen.
6. Kontroller oljenivået på peilepinnen.
7. Hvis oljenivået er lavt, fyller du på motorolje og utfører en ny kontroll av oljenivået.

Slik skifter du motorolje



ADVARSEL: Motorolje er svært varm rett etter at motoren har stoppet. La motoren bli avkjølt før du tapper ut motorolje. Rengjør

med såpe og vann hvis du søler motorolje på huden.

(Fig. 39)

1. Bruk produktet til drivstofftanken er tom.
2. Fjern tenningskabelen fra tennpluggen.
3. Ta av oljetanklokket.
4. Sett en beholder under produktet for å samle opp olje.
5. Vipp produktet for å tappe av oljen fra tanken.
6. Fyll på ny motorolje av typen som anbefales i *Tekniske data på side 269*.
7. Kontroller oljenivået. Se *Slik kontrollerer du oljenivået på side 265*.

Kontrollere tennpluggen



OBS: Bruk alltid anbefalt type tennplugg. Feil tennpluggtype kan føre til skade på produktet.

- Undersøk tennpluggen hvis motorens effekt er for lav, ikke er enkel å starte eller ikke fungerer riktig på tomgang.
- Følg disse instruksjonene for å redusere risikoen for uønsket materiale på tennpluggenes elektroder:
 - a) Pass på at tomgangsturtallet er riktig justert.
 - b) Pass på at drivstoffblandingen er riktig.
 - c) Kontroller at luftfilteret er rent.
- Hvis tennpluggen er skitten, må du rengjøre den og samtidig kontrollere at elektrodeavstanden er riktig. Se *Tekniske data på side 269*. (Fig. 40)
- Skift tennpluggen når det er nødvendig.

Luftfilter

Et skittent luftfilter kan føre til at motoren blir skadet eller ikke fungerer som den skal. Rengjør luftfilteret oftere ved arbeid i støvete omgivelser. Se *Vedlikehold på side 264* for informasjon om når du bør skifte luftfilter.

Merk: Bytt alltid ut et skadet luftfilter.

Slik fjerner og monterer du luftfilteret



ADVARSEL: Bruk vernehansker.

1. Trykk på klemmene på luftfilterdekslet.
2. Ta luftfilterdekslet (A) forsiktig av motoren.
3. Fjern luftfilteret (B). (Fig. 41)
4. Se etter skader på luftfilteret. Bytt alltid ut et skadet luftfilter.
5. Rengjør og undersøk luftfilteret. Se *Slik rengjør du luftfilteret på side 266*.

6. Monter i motsatt rekkefølge.

Slik rengjør du luftfilteret

Et skittent luftfilter kan føre til at motoren blir skadet eller ikke fungerer som den skal. Rengjør luftfilteret oftere ved arbeid i støvete omgivelser.

Se *Vedlikehold på side 264* for informasjon om når du bør skifte luftfilter.

1. Ta av luftfilterdekslet, og ta ut filteret.
2. Rengjør filteret ved å slå det mot en flat overflate. Ikke bruk løsemiddel med bensin, for eksempel parafin, eller trykkluft til å rengjøre filteret.

Merk: Luftfiltre som har vært i bruk over lang tid, kan ikke rengjøres helt. Skift luftfilteret med jevne mellomrom. Et skadet luftfilter må alltid skiftes.

3. Når du monterer luftfilteret, må du passe på at det sitter tett inntil filterholderen.

Slik kontrollerer du deflektoren for sideutkast

Deflektoren for sideutkast er festet til åpningen for sideutkast på produktet. Den reduserer risikoen for at gjenstander slynges i retning av brukeren.

1. Kontroller at deflektoren for sideutkast ikke er skadet.
2. Undersøk deflektoren for sideutkast. Se etter skader som sprekker eller ødelagte fjærer som skyver døren igjen.
3. Bytt ut fjærene eller deflektoren for sideutkast hvis de er skadede.

Slik undersøker du drivstoffsystemet

- Undersøk drivstofflokket og pakningen til lokket for å sikre at det ikke er noen skader.
- Undersøk drivstoffslangen for å sikre at det ikke finnes lekkasjer. Hvis drivstoffslangen er ødelagt, må du la et serviceverksted skifte den ut.

Slik justerer du clutchvaieren (LC 151S, LB 251S, LB 256SP)

I situasjonene som er nevnt nedenfor, må du redusere lengden på clutchvaieren:

- Hjuldriften går ikke i inngrep når du trekker i sikkerhetsbøylen eller spaken for turtallsregulering.
- Produktet beveger seg sakte når hjuldriften er koblet inn.

I situasjonene som er nevnt nedenfor, må du øke lengden på clutchvaieren:

- Produktet beveger seg når hjuldriften ikke er koblet inn.
- Slik justerer du clutchvaieren:

- a) For å redusere lengden på clutchvaieren dreier du justeringsskruen mot urviseren.
- b) For å øke lengden på clutchvaieren dreier du justeringsskruen med urviseren. (Fig. 42)

Hvis produktet fortsatt går på en lite tilfredsstillende måte etter justeringen, må du ta kontakt med serviceforhandleren.

Feilsøking på motoren

Problem	Mulig årsak	Løsning
Motoren starter ikke.	Tenningskabelen er ikke riktig tilkoblet.	Koble tenningskabelen til tennpluggen.
	Drivstofftanken er tom.	Fyll drivstofftanken med riktig drivstofftype.
	Drivstoffet er gammelt.	Tøm drivstofftanken og forgasseren. Fyll på med ny bensin.
	Det er smuss i forgasseren eller drivstoffledningen.	Rengjør forgasseren og/eller drivstoffledningen.
	Tennpluggen er defekt.	Juster elektrodeavstanden, og rengjør eller bytt ut tennpluggen.
	Det er drivstoff på tennpluggen.	Rengjør tennpluggen.
Motoren stopper ikke.	Stoppemekanismen er defekt.	Koble tenningskabelen fra tennpluggen. Få produktet reparert ved et godkjent serviceverksted.
Motoren går ujevnt.	Tenningskabelen er ikke riktig tilkoblet.	Koble tenningskabelen til tennpluggen.
	Det er smuss i drivstoffledningen, eller drivstoffet er utløpt.	Rengjør drivstofflinjen. Fyll drivstofftanken med nytt drivstoff av riktig type.
	Det er en blokkering i lokket på drivstofftanken.	Rengjør lokket på drivstofftanken.
	Det er vann eller smuss i drivstoffsystemet.	Tapp drivstofftanken. Fyll drivstofftanken med nytt drivstoff av riktig type.
	Luftfilteret er skittent.	Rengjør luftfilteret.
	Forgasseren må justeres.	La en serviceforhandler justere forgasseren.
Motoren blir for varm.	Motoroljenivået er for lavt.	Fyll motorolje.
	Luftstrømmen er ikke tilstrekkelig.	Rengjør luftfilteret og luftfilterhuset.
	Forgasseren må justeres.	La en serviceforhandler justere forgasseren.
Det er feilttenning i motoren når den går med høy hastighet.	Elektrodeavstanden i tennpluggen er for liten.	Juster elektrodeavstanden.
Uvanlige lyder fra motoren under normal belastning.	Feil type bensin.	Tøm drivstofftanken og forgasseren. Fyll på med ny bensin. Se <i>Slik fyller du drivstoff på side 262</i> . Hvis problemet vedvarer, må du ta kontakt med den lokale serviceforhandleren din.

Problem	Mulig årsak	Løsning
Motoren fungerer ikke riktig på tomgang.	Tennpluggen er skitten eller defekt, eller elektrodeavstanden er for stor.	Juster elektrodeavstanden eller bytt ut tennpluggen.
	Forgasseren må justeres.	Juster forgasseren.
	Luftfilteret er skittent.	Rengjør luftfilteret.

Transport, oppbevaring og avhending

Transport og oppbevaring

- Før oppbevaring og transport av produktet og drivstoff, må du kontrollere at det ikke finnes lekkasjer eller gasser. Gnister eller åpen ild, for eksempel fra elektriske apparater eller varmekjeler, kan starte en brann.
- Bruk alltid godkjente beholdere for oppbevaring og transport av drivstoff.
- Tøm drivstofftanken før du setter produktet til oppbevaring over en lengre periode. Lever drivstoffet hos en returstasjon.
- Sørg for sikkert feste av produktet under transport for å unngå skader og ulykker.
- Oppbevar produktet på et låst sted for å hindre tilgang for barn eller personer som ikke er godkjent.
- Oppbevar produktet på et tørt og frostfritt sted.

Kassering

- Følg lokale gjenvinningsbestemmelser og gjeldende regelverk.
- Kast alle kjemikalier, for eksempel motorolje eller drivstoff, på et servicesenter eller en returstasjon.
- Når produktet ikke lenger er i bruk, kan du sende det til en Husqvarna-forhandler eller kaste det ved et returpunkt.

Tekniske data

Tekniske data

	LC 151	LC 151S	LB 251S	LB 256SP
Motor				
Merke	Husqvarna	Husqvarna	Husqvarna	Husqvarna
Motorstype	Ensyldret, 4-takts, tvungen luftkjøling, OHV	Ensyldret, 4-takts, tvungen luftkjøling, OHV	Ensyldret, 4-takts, tvungen luftkjøling, OHV	Ensyldret, 4-takts, tvungen luftkjøling, OHV
Volum, cm ³	166	166	166	166
Hastighet, o/min.	2800	2800	2800	2800
Nominell motoreffekt, kW ¹²²	2,7	2,7	2,7	2,7
Tenningsystem				
Tennplugg	Husqvarna HQT-7	Husqvarna HQT-7	Husqvarna HQT-7	Husqvarna HQT-7
Elektrodeavstand, mm	0,7–0,8	0,7–0,8	0,7–0,8	0,7–0,8
Drivstoff-/smøresystem				
Motorsmøretyp	Skvalpesmøring	Skvalpesmøring	Skvalpesmøring	Skvalpesmøring
Volum bensintank, liter	1,0	1,0	1,0	1,0
Volum oljetank, liter	0,5	0,5	0,5	0,5
Motorolje ¹²³	Husqvarna SAE 30	Husqvarna SAE 30	Husqvarna SAE 30	Husqvarna SAE 30
Vekt				
Med tomme tanker, kg	31,1	32,6	32,0	33,1
Støyutslipp¹²⁴				
Lydeffektnivå, målt, dB(A)	96	96	95	97
Lydeffektnivå, garantert L _{WA} dB(A)	98	98	96	98
Lydnivåer¹²⁵				
Lydrykknivå ved brukerens øre, dB(A)	86	86	82	86

¹²² Motorens merkeeffekt er gjennomsnittlig nettoeffekt (ved angitt turtall) for en typisk produksjonsmotor for motormodellen, målt ifølge SAE-standarden J1349/ISO1585. Masseproduserte motorer kan avvike fra denne verdien. Faktisk effekt for motoren montert på det ferdige produktet vil avhenge av driftshastighet, klimaforhold og andre verdier.

¹²³ Hvis SAE-30-olje brukes ved temperaturer lavere enn +5 °C, er det fare for at den ikke smører motoren tilstrekkelig. Dette kan føre til skader på motoren. Se *Slik skifter du motorolje på side 265* for riktig olje for lave temperaturer.

¹²⁴ Utslipp av støy til omgivelsene målt som lydeffekt (L_{WA}) samsvarer med EF-direktiv 2000/14/EF.

¹²⁵ Rapporterte data for ekvivalent lydrykknivå for maskinen har en typisk statistisk spredning (standardavvik) på 1,2 dB (A).

	LC 151	LC 151S	LB 251S	LB 256SP
Vibrasjonsnivåer¹²⁶				
Vibrasjoner i håndtak, m/s ²	8,5	8,5	4,7	7,5
Skjærestyr				
Klippehøyde, mm	25–75	25–75	25–75	25–75
Klippebredde, cm	510	510	510	560
Klippesystem	Oppsamling/Bio-Clip®/sideutkast	Oppsamling/Bio-Clip®/sideutkast	BioClip®/sideutkast	BioClip®/sideutkast
Kniv – standard	Oppsamling 598562601	Oppsamling 598562601	Finfordeling 597683901	Finfordeling 598563601
Kniv – ekstrautstyr	Finfordeling 597683901	Finfordeling 597683901	–	–
Gressoppsamlerkapasitet, liter	65	65	–	–
Drift				
Selvgående hastighet, km/t	–	3,6	4,0	3,6

¹²⁶ Rapporterte data for vibrasjonsnivå har en typisk statistisk spredning (standard avvik) på 0,2 m/s².

EF-samsvarserklæring

EF-samsvarserklæring

Husqvarna AB, SE-561 82 Huskvarna, Sverige, tlf.: + 46 36 146500, erklærer at **gressklipperen Husqvarna LC 151, LC 151S, LB 251S, LB 256SP** fra 2020 og fremover samsvarer med kravene i følgende RÅDSDIREKTIV:

- fra 8. juni 2011 på «begrense bruken av bestemte farlige stoffer» **2011/65/EU**
- fra 17. mai 2006, «angående maskiner» **2006/42/EF**
- fra 26. februar 2014 «angående elektromagnetisk kompatibilitet» **2014/30/EU**
- fra 8. mai 2000 «angående utslipp av støy til omgivelsene» **2000/14/EF**

For informasjon som gjelder støytuetslipp, kan du se avsnittet Tekniske data.

Følgende standarder er blitt brukt:

EN ISO 5395-1:2013, EN ISO 5395-1:2013/A1, EN ISO 5395-2:2013, EN ISO 5395-2:2013/A1:2016, EN ISO 5395-2:2013/A2:2017, EN ISO 14982:2009

Hvis ikke annet er angitt, er de ovenfor oppgitte standarder de nyeste publiserte versjonene.

Kontrollorgan (LC 151, LC 151S, LB 256SP): **0036, TÜV SÜD Industrie Service GmbH, Westendstrasse 199, 80686 München, Germany** Har utført samsvarsvurdering i henhold til Tillegg VI i direktivet 2000/14/EF.

Kontrollorgan (LB 251S): **0404, RISE SMP Svensk Maskinprovning AB, Box 7035, SE-750 07 Uppsala, Sweden** Har utført samsvarsvurdering i henhold til Tillegg VI i direktivet 2000/14/EF.

Huskvarna, 2020-10-20



Claes Losdal, Development Manager/hageprodukter (autorisert representant for Husqvarna AB og ansvarlig for teknisk dokumentasjon)

SPIS TREŚCI

Wstęp.....	272	Rozwiązywanie problemów z silnikiem.....	283
Bezpieczeństwo.....	273	Transport, przechowywanie i utylizacja.....	284
Montaż.....	276	Dane techniczne.....	285
Przeznaczenie.....	277	Deklaracja zgodności WE.....	287
Przegląd.....	279		

Wstęp

Opis produktu

Produkt jest rotacyjną kosiarką obsługiwaną przez operatora. W przypadku modeli LC 151, LC 151S zamocować pojemnik na trawę, aby zbierać trawę. Zamontować deflektor wyrzutu bocznego w celu wykonania wyrzutu bocznego trawy. W przypadku

modeli LC 151, LC 151S zamontować zestaw mulczujący, aby pociąć trawę na nawóz.

Przeznaczenie

Produkt służy fo cięcia trawy. Nie używać produktu do innych zadań.

Przegląd produktu

(Rys. 1)

1. Uchwyt sterowniczy
2. Dźwignia hamulca silnika
3. Dźwignia napędu (LC 151S, LB 256SP)
4. Dźwignia sterowania (LB 251S)
5. Pokrywa tylna (LC 151, LC 151S)
6. Pojemnik na trawę (LC 151, LC 151S)
7. Pokrętła wysokości uchwytu
8. Dźwignia regulacji wysokości koszenia
9. Korek wlewu oleju i prętowy wskaźnik poziomu oleju
10. Pokrywa wyrzutu bocznego
11. Tłumik
12. Świeca zapłonowa
13. Gaźnik
14. Zakrętka zbiornika paliwa
15. Symbole
16. Osłona modułu tnącego
17. Filtr powietrza
18. Deflektor boczny
19. Zestaw mulczujący (jako akcesorium dla modeli LC 151, LC 151S)
20. Rączka linki rozrusznika
21. Instrukcja obsługi

(Rys. 3) Przed przystąpieniem do pracy prosimy dokładnie i ze zrozumieniem zapoznać się z treścią niniejszej instrukcji obsługi.

(Rys. 4) Należy uważać na odrzucone i rykoszetujące przedmioty.

(Rys. 5) Ludzie i zwierzęta powinny przebywać w bezpiecznej odległości od obszaru roboczego.

(Rys. 6) Ostrzeżenie: Ręce i stopy należy trzymać z dala od obracającego się ostrza.

(Rys. 7) Ostrzeżenie: Nie zbliżać dłoni i stóp do części obrotowych.

(Rys. 8) Przed rozpoczęciem napraw lub konserwacji urządzenia wyłączyć silnik i zdjąć przewód zapłonowy.

(Rys. 9) Niniejszy produkt jest zgodny z obowiązującymi dyrektywami wspólnoty europejskiej.

(Rys. 10) Emisja hałasu zgodna z Dyrektywą Wspólnoty Europejskiej. Hałas emitowany przez urządzenie jest określony w rozdziale „Dane techniczne” oraz na tabliczce znamionowej.

(Rys. 11) Ryzyko pożaru.

(Rys. 12) Nie wdychać oparów spalin. Spaliny z silnika zawierają tlenek węgla, który jest bezwonnym, trującym i niebezpiecznym gazem. Nie należy uruchamiać silnika wewnątrz pomieszczeń lub w zamkniętych przestrzeniach.

Symbole znajdujące się na produkcie

(Rys. 2) **OSTRZEŻENIE!** Należy zachować ostrożność i prawidłowo korzystać z produktu. Produkt może spowodować poważne obrażenia ciała lub śmierć operatora lub innych osób.

(Rys. 13) Gorąca powierzchnia.

(Rys. 14) Przed uruchomieniem urządzenia należy napełnić silnik olejem.

Uwaga: Pozostałe symbole/naklejki samoprzylepne umieszczone na produkcie dotyczą wymogów związanych z certyfikatami w niektórych obszarach komercyjnych.

Odpowiedzialność za produkt

Zgodnie z przepisami dotyczącymi odpowiedzialności za produkt nie ponosimy odpowiedzialności za szkody spowodowane przez nasz produkt, jeśli:

- produkt jest nieprawidłowo naprawiany.

- produkt jest naprawiany przy użyciu części niepochodzących od producenta lub niezatwierdzonych przez producenta.
- produkt jest wyposażony w akcesoria niepochodzące od producenta lub niezatwierdzone przez producenta.
- produkt nie jest naprawiany w autoryzowanym centrum serwisowym lub przez autoryzowaną placówkę.

Emisje Euro V



OSTRZEŻENIE: Ingerencja w silnik powoduje unieważnienie europejskiego zatwierdzenia typu produktu.

Bezpieczeństwo

Definicje dotyczące bezpieczeństwa

Ostrzeżenia, uwagi i informacje są używane do zwrócenia uwagi na szczególnie ważne sekcje instrukcji obsługi.



OSTRZEŻENIE: Jest używane, gdy istnieje ryzyko poważnych obrażeń, śmierci operatora lub uszkodzenia otoczenia w wyniku nieprzestrzegania instrukcji obsługi.



UWAGA: Jest używane, gdy istnieje ryzyko uszkodzenia materiałów lub urządzenia w wyniku nieprzestrzegania instrukcji obsługi.

Uwaga: Stosuje się, aby przekazać więcej informacji, które są przydatne w danej sytuacji.

Ogólne zasady bezpieczeństwa



OSTRZEŻENIE: Przed rozpoczęciem użytkowania produktu przeczytać następujące ostrzeżenia.

- Produkt ten może być niebezpieczny w przypadku jego nieprawidłowego użytkowania i niezachowania ostrożności. Nieprzestrzeganie instrukcji bezpieczeństwa może spowodować obrażenia ciała lub śmierć.
- Podczas pracy urządzenie wytwarza pole elektromagnetyczne. W pewnych okolicznościach pole to może zakłócać pracę aktywnych lub pasywnych implantów medycznych. Przed użyciem tego produktu osoby z wszczepionym implantem medycznym powinny skonsultować się z lekarzem i producentem implantu w celu ograniczenia ryzyka poważnych lub śmiertelnych obrażeń.
- Produkt jest naprawiany przy użyciu części niepochodzących od producenta lub niezatwierdzonych przez producenta.
- Produkt jest wyposażony w akcesoria niepochodzące od producenta lub niezatwierdzone przez producenta.
- Produkt nie jest naprawiany w autoryzowanym centrum serwisowym lub przez autoryzowaną placówkę.
- Zawsze zachowywać ostrożność i kierować się zdrowym rozsądkiem. Jeśli nie ma pewności, w jaki sposób należy obsługiwać ten produkt w konkretnej sytuacji, przed wznowieniem pracy należy porozmawiać z dealerem Husqvarna.
- Pamiętać o tym, że operator ponosi odpowiedzialność za wypadki z udziałem innych ludzi i ich własności.
- Utrzymywać produkt czystym. Upewnić się, że można łatwo odczytać oznaczenia i naklejki.
- Nie pozwalać używać maszyny jakimkolwiek osobom, które nie zapoznały się i nie zrozumiały zawartości instrukcji obsługi.
- Nie pozwalać dzieciom używać produktu.
- Należy trzymać dzieci z dala od obszaru roboczego. Zawsze musi jej towarzyszyć odpowiedzialna osoba dorosła.
- Nie pozwalać osobom nieznającym instrukcji używać maszyny.
- Należy zawsze kontrolować osobę o ograniczonych możliwościach fizycznych lub umysłowych podczas używania produktu. Zawsze musi jej towarzyszyć odpowiedzialna osoba dorosła.
- Osoba, która jest zmęczona, chora lub pod wpływem alkoholu, narkotyków lub lekarstw nie może obsługiwać urządzenia. Stany te mają negatywny wpływ na wzrok, uwagę, koordynację i osąd.
- Nie stosować uszkodzonego produktu.
- Nie wolno dokonywać w maszynie zmian stanowiących modyfikację jej oryginalnej wersji. Nie używać maszyny, jeżeli istnieje podejrzenie, że ktoś inny wprowadził w niej zmiany.
- Nie wolno zmieniać ustawień prędkości obrotowej silnika.

Bezpieczeństwo miejsca pracy



OSTRZEŻENIE: Przed rozpoczęciem użytkowania produktu przeczytać następujące ostrzeżenia.

- Usunąć obiekty, takie jak gałęzie, gałązki i kamienie z obszaru roboczego przed rozpoczęciem korzystania z maszyny.
- Obiekty, które zderzają się z elementami tnącymi, mogą zostać wyrzucone i spowodować obrażenia osób i uszkodzenia przedmiotów. Osoby znajdujące się w pobliżu i zwierzęta powinny zachować bezpieczną odległość od maszyny.
- Nigdy nie należy używać produktu w niesprzyjających warunkach np. we mgle, w deszczu, przy silnym wietrze, na silnym mrozie, gdy występuje ryzyko wyładowań atmosferycznych. Korzystanie z maszyny w niesprzyjających warunkach lub w wilgotnych czy mokrych lokalizacjach jest męczące. Niesprzyjające warunki pogodowe mogą stworzyć niebezpieczne warunki, takie jak śliska powierzchnie.
- Należy uważać na osoby, przedmioty i sytuacje, które mogą uniemożliwić bezpieczną obsługę maszyny.
- Należy zwracać uwagę na przeszkody, takie jak korzenie, kamienie, gałązki, dziury i doły. Wysoka trawa może zasłaniać przeszkody.
- Koszenie trawy na pochyłościach może być niebezpieczne. Nie należy używać maszyny na pochyłościach terenu przekraczających 15°.
- Należy używać maszyny, prowadząc ją w poprzek zbocza. Nie należy jeździć w górę i w dół zbocza.
- Zachować ostrożność podczas zbliżania się do narożników lub innych obiektów, które mogą ograniczać widoczność.

Pracuj bezpiecznie



OSTRZEŻENIE: Przed rozpoczęciem użytkowania produktu przeczytać następujące ostrzeżenia.

- Używać maszyny wyłącznie do przycinania trawników. Nie jest dozwolone wykorzystanie maszyny do innych zadań.
- Stosuj środki ochrony osobistej. Patrz *Środki ochrony osobistej na stronie 274*.
- Należy zawsze wiedzieć, jak szybko wyłączyć silnik w razie awarii.
- Nigdy nie należy uruchamiać silnika w zamkniętej przestrzeni lub w pobliżu łatwopalnych materiałów. Spaliny silnikowe mają wysoką temperaturę, mogą zawierać iskry, które mogą się stać przyczyną pożaru.
- Nie należy obsługiwać maszyny, jeśli ostrze oraz wszystkie pokrywy nie zostały prawidłowo zamocowane. Nieprawidłowo zamocowane ostrze może się obluźnić i spowodować obrażenia.

- Należy upewnić się, że ostrze nie uderza w żadne obiekty, takie jak kamienie czy korzenie. Może to spowodować uszkodzenie ostrza oraz wygięcie wału silnika. Zgięta oś powoduje silne wibracje oraz bardzo wysokie zagrożenie obluźowaniem ostrza.
- Jeśli ostrze uderzy w jakikolwiek obiekt lub jeśli wystąpią wibracje, należy natychmiast wyłączyć maszynę. Odłączyć przewód zapłonowy od świecy zapłonowej. Należy sprawdzić maszynę pod kątem uszkodzeń. Należy naprawić uszkodzenia lub zlecić przeprowadzenie naprawy przez autoryzowany punkt serwisowy.
- Nigdy nie należy na stałe przymocowywać uchwyty hamulca silnikowego do uchwytu podczas pracy silnika.
- Maszynę należy ustawić na stabilnej, płaskiej powierzchni i ją uruchomić. Należy upewnić się, że ostrza nie uderzają w podłoże lub inne przedmioty.
- Podczas obsługi maszyny zawsze należy stać za nią.
- Podczas obsługi maszyny należy upewnić się, że wszystkie koła dotykają podłoża oraz trzymać na kierownicy obie dłonie. Ręce i stopy należy trzymać z dala od obracających się noży.
- Nie przechylać produktu, kiedy uruchomiony jest silnik.
- Należy zachować ostrożność podczas ciągnięcia maszyny do tyłu.
- Nigdy nie należy podnosić maszyny przy włączonym silniku. Jeśli konieczne jest podniesienie maszyny, najpierw należy wyłączyć silnik i odłączyć przewód zapłonowy od świecy zapłonowej.
- Nie należy poruszać się do tyłu podczas obsługi maszyny.
- Podczas poruszania się po obszarach bez trawy, na przykład po zwirowych, kamiennych lub asfaltowych ścieżkach, należy wyłączyć silnik.
- Nie należy biegać z maszyną przy włączonym silniku. Podczas obsługi maszyny zawsze należy poruszać się chodem.
- Przed zmianą wysokości koszenia należy wyłączyć silnik. Nigdy nie należy wykonywać regulacji przy uruchomionym silniku.
- Nigdy nie należy pozostawiać maszyny poza zasięgiem wzroku przy włączonym silniku. Należy wyłączyć silnik i upewnić się, że narzędzia tnące nie obracają się.

Instrukcje bezpieczeństwa dotyczące obsługi

Środki ochrony osobistej



OSTRZEŻENIE: Przed rozpoczęciem użytkowania produktu przeczytać następujące ostrzeżenia.

- Środki ochrony osobistej nie eliminują całkowicie ryzyka odniesienia obrażeń, natomiast ograniczają

ich rozmiar w razie zaistnienia wypadku. Skorzystać z pomocy dealera przy wyborze odpowiedniego sprzętu.

- Jeśli poziom hałasu przekracza 85 dB, należy stosować ochronniki słuchu.
- Należy używać mocnego, przeciwpoślizgowego obuwia ochronnego lub obuwia roboczego. Nie należy używać otwartego obuwia lub chodzić boszo.
- Stosować wytrzymałe, długie spodnie.
- W razie potrzeby, na przykład podczas mocowania, badania czy czyszczenia narzędzi tnących, stosować rękawice ochronne.

Zespoły zabezpieczające na osprzęcie



OSTRZEŻENIE: Przed rozpoczęciem użytkowania produktu przeczytać następujące ostrzeżenia.

- Nie należy używać maszyny z uszkodzonymi urządzeniami zabezpieczającymi.
- Regularnie przeprowadzać kontrole urządzeń zabezpieczających. Jeśli urządzenia zabezpieczające są uszkodzone, skontaktować się z warsztatem obsługi technicznej Husqvarna.

Sprawdzanie osłony modułu tnącego

Osłona modułu tnącego ogranicza drgania urządzenia i obniża ryzyko odniesienia obrażeń od ostrza.

- Zbadać osłonę modułu tnącego, aby upewnić się, że nie nosi ona znamion uszkodzenia, takich jak pęknięcia.

Sprawdzanie dźwigni hamulca silnika

Uchwyt hamulca silnika zatrzymuje silnik. Po zwolnieniu uchwytu hamulca silnika następuje wyłączenie silnika.

- Uruchomić silnik, a następnie zwolnić dźwignię hamulca silnika. Jeśli silnik nie wyłączy się w czasie 3 sekund, zatwierdzony serwis obsługi technicznej Husqvarna powinien wyregulować hamulec silnika. (Rys. 15)

Sprawdzanie tylnej pokrywy

Deflektor tylny ogranicza ryzyko wyrzucenia przedmiotów w kierunku operatora.

- Upewnić się, że tylna pokrywa nie jest uszkodzona.
- Upewnić się, że sprężyny zamykające tylną pokrywę nie są uszkodzone.
- Wymienić uszkodzone sprężyny i części.
- Upewnić się, że tylna pokrywa porusza się swobodnie w zawiasach.

Tłumik

Tłumik ogranicza do minimum poziom hałasu i odprowadza spaliny poza strefę pracy operatora.

Nie używać produktu, jeśli tłumik nie jest zamontowany lub jest uszkodzony. Uszkodzony tłumik zwiększa poziom hałasu oraz ryzyko pożaru.



OSTRZEŻENIE: Tłumik nagrzewa się do wysokiej temperatury podczas użytkowania oraz gdy silnik pracuje na obrotach biegu jałowego, oraz pozostaje gorący przez pewien czas po wyłączeniu silnika. W przypadku zbliżenia się do łatwopalnych materiałów i/lub spalin należy zachować szczególną ostrożność, aby zapobiec pożarowi.

Sprawdzanie tłumika

- Przeprowadzać regularne kontrole tłumika, aby upewnić się, że jest prawidłowo zamontowany i sprawny.

Zasady bezpieczeństwa dotyczące paliwa



OSTRZEŻENIE: Przed rozpoczęciem użytkowania produktu przeczytać następujące ostrzeżenia.

- Nie uruchamiać produktu, jeśli znajduje się na nim paliwo lub olej silnikowy. Usunąć zabrudzenia paliwem/olejem i odczekać, aż produkt wyschnie.
- W przypadku rozlania paliwa na ubranie należy je natychmiast zmienić.
- Nie dopuścić do kontaktu paliwa z ciałem, ponieważ może to spowodować obrażenia. W przypadku kontaktu paliwa z ciałem należy użyć wody z mydłem w celu jego usunięcia.
- Nie uruchamiać maszyny, jeśli silnik jest nieszczelny. Regularnie sprawdzać silnik pod kątem nieszczelności.
- Zachować ostrożność przy pracy z paliwem. Paliwo jest łatwopalne, a jego opary mogą wybuchnąć, powodując obrażenia lub śmierć.
- Nie wdychać oparów paliwa, ponieważ może to być groźne dla zdrowia lub życia. Zapewnić odpowiednią wentylację.
- Nie palić tytoniu w pobliżu paliwa lub silnika.
- Nie umieszczać gorących przedmiotów w pobliżu paliwa lub silnika.
- Nie dolewać paliwa podczas pracy silnika.
- Przed tankowaniem upewnić się, że silnik jest zimny.
- Przed tankowaniem pomału odkręcić korek zbiornika paliwa i ostrożnie zwolnić ciśnienie.
- Nie dolewać paliwa do silnika w zamkniętym pomieszczeniu. Niewystarczający przepływ powietrza może doprowadzić do obrażeń lub śmierci na skutek uduszenia lub zatrucia tlenkiem węgla.
- Do końca dokręcić korek zbiornika paliwa. W przypadku braku dokręcenia korka zbiornika paliwa istnieje ryzyko powstania pożaru.

- Przed uruchomieniem należy przenieść produkt co najmniej 3 metry / 10 stóp od miejsca, w którym napełniany był zbiornik paliwa.
- Nie napełniać zbiornika paliwa całkowicie. Ciepło powoduje zwiększenie objętości paliwa. Pozostawić wolną przestrzeń na górze zbiornika.

Instrukcje bezpieczeństwa dotyczące konserwacji



OSTRZEŻENIE: Przed rozpoczęciem użytkowania produktu przeczytać następujące ostrzeżenia.

- Spaliny z silnika zawierają tlenek węgla, który jest bezwonnym, trującym i niebezpiecznym gazem. Nie należy uruchamiać silnika wewnątrz pomieszczeń lub w zamkniętych przestrzeniach.
- Przed rozpoczęciem konserwacji produktu wyłączyć silnik i odłączyć przewód zapłonowy ze świecy zapłonowej.

- W trakcie konserwacji narzędzi tnących należy korzystać z rękawic ochronnych. Ostrze jest bardzo ostre i może łatwo doprowadzić do skaleczenia.
- Niezatwierdzone przez producenta akcesoria i modyfikacje maszyny mogą spowodować poważne obrażenia lub śmierć. Nie należy modyfikować maszyny. Należy korzystać wyłącznie z akcesoriów zatwierdzonych do użytku przez producenta.
- W przypadku nieprawidłowo lub nieregularnie przeprowadzanej konserwacji wzrasta ryzyko obrażeń oraz uszkodzenia produktu.
- Konserwację należy przeprowadzać wyłącznie w sposób określony w instrukcji użytkownika. Wszelkie prace serwisowe muszą być wykonywane przez zatwierdzonego serwis Husqvarna.
- Należy dopilnować przeprowadzania regularnej konserwacji maszyny przez autoryzowany serwis Husqvarna.
- Wymienić uszkodzone, zużyte lub zniszczone części.

Montaż

Wstęp



OSTRZEŻENIE: Przed złożeniem produktu należy przeczytać ze zrozumieniem rozdział poświęcony bezpieczeństwu.



OSTRZEŻENIE: Przed rozpoczęciem montażu produktu odłączyć przewód świecy zapłonowej od świecy zapłonowej.

5. Dokręcić do końca pokrętła.

Ustawienie kosiarki w pozycji transportowej

1. Poluzować dolne pokrętła.
2. Przesunąć pokrętła do dolnych końców rowków po lewej i prawej stronie produktu. (Rys. 18)
3. Złożyć rękojeść do przodu. (Rys. 20)

Ustawienie kosiarki w pozycji roboczej

1. Złożyć uchwyt do pozycji pionowej. (Rys. 21)
2. Przesunąć pokrętła w górę w kierunku uchwyty aż do zatrzaśnięcia. (Rys. 19)
3. Dokręcić do końca pokrętła.

Montaż pojemnika na trawę (LC 151, LC 151S)

1. Przymocować ramę pojemnika na trawę do worka na trawę tak, aby sztywna część worka znajdowała się na dole. Uchwyt ramy powinien znajdować się poza górną częścią kosza. (Rys. 22)
2. Przymocować worek na trawę do ramy za pomocą zacisków. (Rys. 23)

Montaż uchwyty

1. Przepchnąć śrubę (A) przez uchwyt (B), plastikową podkładkę (C) i wspornik uchwyty (D). (Rys. 16)
2. Całkowicie dokręcić nakrętkę (E).
3. Przepchnąć śrubę (F) przez podkładkę (G) i wspornik uchwyty. (Rys. 17)
4. Dokręcić pokrętło (H) do końca.

Regulacja uchwyty

1. Poluzować dolne pokrętła.
2. Przesunąć pokrętła do dolnych końców rowków po lewej i prawej stronie produktu. (Rys. 18)
3. Ustawić wysokość uchwyty w jedną z 2 dostępnych pozycji.
4. Przesunąć pokrętła w górę w kierunku uchwyty aż do zatrzaśnięcia. (Rys. 19)

Przeznaczenie

Wstęp



OSTRZEŻENIE: Przed użyciem urządzenia należy przeczytać ze zrozumieniem rozdział poświęcony bezpieczeństwu.

Husqvarna Connect

Husqvarna Connect to darmowa aplikacja na urządzenia mobilne. Husqvarna Connect/Husqvarna

- Extended product information.
- Information about, and help with, product parts and servicing.

Rozpoczęcie użytkowania Husqvarna Connect

1. Pobierz aplikację Husqvarna Connect na swoim urządzeniu mobilnym.
2. Zarejestruj się w aplikacji Husqvarna Connect.
3. Wykonaj instrukcje wyświetlane w aplikacji Husqvarna Connect, aby nawiązać połączenie i zarejestrować produkt.

Przed użyciem urządzenia

1. Należy dokładnie i ze zrozumieniem zapoznać się z treścią niniejszej instrukcji.
2. Należy sprawdzić narzędzia tnące, aby upewnić się, że są one prawidłowo zamontowane i wyregulowane. Patrz *Kontrola osprzętu tnącego na stronie 281*.
3. Napełnić zbiornik paliwa. Patrz *Uzupełnianie paliwa na stronie 277*.
4. Napełnić zbiornik oleju i wykonać kontrolę poziomu oleju. Patrz *Kontrola poziomu oleju na stronie 281*.

Uzupełnianie paliwa

Jeśli to możliwe, należy korzystać z niskoemisyjnej benzyny alkilatowej. W przypadku braku dostępności niskoemisyjnej benzyny alkilatowej należy korzystać z dobrej jakości benzyny bezołowiowej lub benzyny otwiorowej o liczbie oktanowej nie niższej niż 90.



UWAGA: Nie używać benzyny o liczbie oktanowej niższej niż 90 RON (87 AKI). Niezastosowanie się do tego zalecenia może spowodować uszkodzenie produktu.

1. Powoli otworzyć korek wlewowy w celu wyrównania ciśnienia.
2. Powoli napełniać zbiornik paliwa. W przypadku rozlania paliwa należy je usunąć przy użyciu ściereki i pozwolić na wyschnięcie pozostałego paliwa. (Rys. 24)
3. Oczyszczyć korek wlewowy i powierzchnię wokół niego.

4. Do końca dokręcić korek zbiornika paliwa. W przypadku braku dokręcenia korka zbiornika paliwa istnieje ryzyko powstania pożaru.
5. Przed uruchomieniem należy przenieść maszynę co najmniej 3 metry od miejsca, w którym napełniany był zbiornik paliwa.

Regulacja wysokości koszenia

1. Przesunąć dźwignię wysokości koszenia do tyłu w celu zwiększenia wysokości koszenia.
2. Przesunąć dźwignię wysokości koszenia do przodu w celu zmniejszenia wysokości koszenia. (Rys. 25)



UWAGA: Nie należy ustawiać zbyt niskiej wysokości koszenia. Ostrza mogą uderzyć w podłoże, jeśli powierzchnia trawnika nie jest równa.

Uruchamianie produktu

1. Należy upewnić się, że przewód zapłonowy jest połączony ze świecą zapłonową.
2. Należy pozostawać za maszyną.
3. Przytrzymać dźwignię hamulca silnika przy drążku sterującym. (Rys. 26)
4. Należy trzymać rączkę linki rozrusznika prawą dłońią.
5. Powoli pociągnąć za linkę rozrusznika do poczucia oporu.
6. Pociągnąć, używając odpowiedniej siły, aby uruchomić silnik.



OSTRZEŻENIE: Nie owijać linki rozrusznika wokół dłoni.

Korzystanie z napędu kół LC 151S & LB 256SP

- Popchnąć dźwignię napędu w stronę drążka sterującego. (Rys. 27)
- Zwolnić dźwignię napędu, aby odłączyć napęd na przykład w sytuacji zbliżania się do przeszkody.
- Przed pociągnięciem maszyny do tyłu należy odłączyć napęd i popchnąć maszynę do przodu o około 10 cm.

Korzystanie z napędu kół (LB 251S)

- Pociągnąć dźwignię sterowania w stronę uchwytu sterowniczego. (Rys. 28)
- Popchnąć dźwignię sterowania w stronę przeciwną do uchwytu sterowniczego, aby odłączyć napęd na przykład w sytuacji zbliżania się do przeszkody.

Uwaga: Dźwignia sterowania automatycznie rozłącza napęd po zwolnieniu dźwigni hamulca silnika.

- Przed pociągnięciem maszyny do tyłu, należy popchnąć dźwignię sterowania z dala od uchwytu sterowniczego, a następnie popchnąć maszynę do przodu o około 10 cm, aby całkowicie rozłączyć napęd.

Wyłączanie produktu

- Aby wyłączyć tylko napęd, należy zwolnić dźwignię napędu (LC 151S, LB 256SP) lub dźwignię sterowania (LB 251S).
- Aby zatrzymać silnik, należy zwolnić dźwignię hamulca silnika.

Używanie produktu z pojemnikiem na trawę (LC 151, LC 151S)



OSTRZEŻENIE: Nie wolno obsługiwać produktu bez zamontowania pojemnika na trawę lub z otwartą tylną pokrywą. Przedmioty mogą zostać wyrzucone i spowodować obrażenia operatora.

1. Podnieść tylną pokrywę i wymontować wkładkę rozdrabniającą, jeśli jest zamontowana. (Rys. 29)
2. Zamontować pojemnik na trawę, patrz *Montaż pojemnika na trawę (LC 151, LC 151S) na stronie 276*.
3. Umieścić pojemnik na trawę na wsporniku.
4. Zdjąć tylną pokrywę i umieścić ją na ramie torby na trawę. (Rys. 30)

Ustawianie trybu rozdrabniania urządzenia (LC 151, LC 151S)

Przed ustawieniem trybu rozdrabniania urządzenia należy upewnić się, że silnik jest wyłączony.

1. Unieść tylną pokrywę i wyjąć pojemnik na trawę, jeśli jest zamontowany.
2. Zamontować wkładkę rozdrabniającą w kanale otworu wylotowego. (Rys. 31)
3. Zamknąć tylną pokrywę i upewnić się, że jest szczelnie zamknięta względem wkładki rozdrabniającej.
4. Wymienić ostrze na ostrze mulczujące, dostarczane w zestawie do mulczowania. Patrz *Wymiana ostrza na stronie 281*.

Ustawianie trybu wyrzutu bocznego urządzenia

1. Unieść tylną pokrywę i wyjąć torbę na trawę, jeśli jest zamontowana.
2. Zamknąć tylną pokrywę i upewnić się, że jest szczelnie zamknięta względem urządzenia.
3. Podnieść blokadę wyrzutu. (Rys. 32)
4. Otworzyć pokrywę wyrzutu bocznego i zamontować deflektor wyrzutu bocznego na sworzniach podtrzymujących. (Rys. 33)
5. Pokrywa wyrzutu bocznego musi być szczelnie zamknięta względem deflektora wyrzutu bocznego. Przed rozpoczęciem korzystania z produktu należy upewnić się, że deflektor wyrzutu bocznego jest prawidłowo zamocowany.

Opróżnianie pojemnika na trawę



UWAGA: Aby zapobiec zużyciu, podczas przenoszenia pojemnika na trawę należy go podnieść.

1. Podnieść pojemnik na trawę za pomocą uchwytu ramy.
2. Podczas opróżniania pojemnika na trawę należy trzymać uchwyt ramy i worka. (Rys. 34)

Uzyskiwanie dobrych rezultatów

- Używać zawsze dobrze naostrzonych ostrzy. Stępione ostrze daje nierównomierne rezultaty, a ścinana powierzchnia żółknie. Naostrzone ostrze zużywa również mniej energii niż ostrze stępione.
- Nie należy kosić więcej niż 1/3 długości trawy. Na początku koszenia trawy należy ustawić najwyższą wysokość cięcia. Zbadać rezultaty i obniżyć wysokość koszenia do odpowiedniego poziomu. Jeśli trawa jest bardzo długa, w razie konieczności należy ścinać ją powoli i dwukrotnie.
- Kosić za każdym razem w różnych kierunkach, aby uniknąć powstawania pasów na trawniku.
- Unieść tylną pokrywę i wyjąć pojemnik na trawę.
- Jeżeli zamontowana jest przystawka mulczująca lub nóż mulczujący, należy je wymontować.
- Przed przystąpieniem do używania urządzenia należy zamknąć tylną pokrywę. W trakcie pracy urządzenia ścięta trawa jest wyrzucana pod tylną pokrywę.

Przegląd

Wstęp



OSTRZEŻENIE: Przed przeprowadzeniem konserwacji należy przeczytać i zrozumieć rozdział o bezpieczeństwie.

Do wykonywania wszelkich prac serwisowych i naprawczych konieczne jest specjalistyczne przeszkolenie. Gwarantujemy dostępność profesjonalnych napraw i usług serwisowych. Jeśli dany dealer nie jest autoryzowanym punktem serwisowym, poproś sprzedawcę o informacje na temat najbliższego autoryzowanego punktu serwisowego.

Plan konserwacji



UWAGA: Upewnić się, że filtr powietrza jest uniesiony i nie dotyka podłoża po przechyleniu produktu. Ryzyko uszkodzenia silnika.

Odstępy pomiędzy konserwacjami obliczane są w oparciu o codzienne wykorzystanie produktu. Odstępy te ulegają zmianie, jeśli maszyna nie jest użytkowana codziennie.

Czynności konserwacyjne oznaczone znakiem * objaśniono w instrukcjach w części *Zespoły zabezpieczające na osprzęcie na stronie 275*.

Przegląd	Codziennie	Co miesiąc	Co sezon
Przeprowadzenie ogólnego przeglądu	X		
Kontrola poziomu oleju	X		
Wymienić olej (pierwszy raz po 5 godzinach użytkowania, następnie po upływie każdych 50 godzin). ¹²⁷			X
Wyczyszczenie maszyny	X		
Kontrola osprzętu tnącego	X		
Sprawdzanie osłony cięcia*	X		
Kontrola dźwigni hamulca silnika*	X		
Kontrola tłumika*		X	
Sprawdzić świecę zapłonową. W razie potrzeby wyczyścić lub wymienić świecę zapłonową			X
Sprawdzić filtr powietrza	X		
Sprawdzić filtr powietrza ¹²⁸		X	
Wymienić filtr powietrza			X
Kontrola układu paliwowego			X
Oczyścić żeberka chłodzące cylindra.		X	
Kontrola i regulacja linki sprzęgła (LC 151S, LB 251S, LB 256SP)			X
Czyszczenie pod pokrywą przekładni (LB 251S)			X

Przegląd ogólny

- Należy upewnić się, że wszystkie nakrętki i śruby maszyny są odpowiednio dokręcone.

Czyszczenie maszyny od zewnątrz

- W celu usunięcia liści, trawy i brudu należy użyć szczotki.
- Należy upewnić się, że wlot powietrza zlokalizowany nad silnikiem nie jest zablokowany.
- Nie używać myjek wysokociśnieniowych do czyszczenia urządzenia.
- Jeśli do czyszczenia maszyny używana jest woda, nie należy polewać nią bezpośrednio silnika.

Czyszczenie powierzchni wewnętrznej osłony modułu tnącego

- Opróżnić zbiornik paliwa.
- Przechylić maszynę. Upewnić się, że świeca zapłonowa jest skierowana w górę.



UWAGA: Jeśli maszyna położona zostanie ze skierowanym do dołu filtrem powietrza, może dojść do uszkodzenia silnika.

- Należy słuukać powierzchnie wewnętrzne osłony osprzętu tnącego wodą.

Czyszczenie pod pokrywą przekładni (LB 251S)

- Opróżnić zbiornik paliwa.
- Przechylić maszynę. Upewnić się, że świeca zapłonowa jest skierowana w górę.



UWAGA: Jeśli maszyna położona zostanie ze skierowanym do dołu filtrem powietrza, może dojść do uszkodzenia silnika.

- Wykręcić 7 śrub. (Rys. 35)
- Wymontować pokrywę przekładni.

¹²⁷ Jeśli produkt jest użytkowany przy dużym obciążeniu lub w wysokich temperaturach otoczenia, olej silnikowy należy wymieniać co 25 godzin.

¹²⁸ Czyścić częściej w warunkach dużego zapylenia lub w przypadku obecności zanieczyszczeń unoszących się w powietrzu. Wymienić wkład filtra powietrza, jeżeli jest bardzo brudny.

5. Wyczyścić powierzchnię szczotką.



UWAGA: Woda lub zanieczyszczenia znajdujące się pod pokrywą przekładni mogą spowodować uszkodzenie przekładni.

6. Zamocować pokrywę przekładni i wkręcić 7 śrub.

Kontrola osprzętu tnącego



OSTRZEŻENIE: Aby zapobiec przypadkowemu uruchomieniu, należy odłączyć przewód zapłonowy od świecy zapłonowej.



OSTRZEŻENIE: W trakcie konserwacji narzędzi tnących należy korzystać z rękawic ochronnych. Ostrze jest bardzo ostre i może łatwo doprowadzić do skaleczenia.

1. Należy skontrolować, czy osprzęt tnący nie jest uszkodzony bądź pęknięty. Zawsze wymieniać uszkodzony osprzęt tnący.
2. Obejrzeć ostrze i upewnić się, że nie jest uszkodzone lub stępione.

Uwaga: Po ostrzeniu ostrze należy wypoziomować. Ostrzenie, wymiana i poziomowanie ostrza winno zostać przeprowadzone przez centrum serwisowe. W przypadku uderzenia w przeszkodę, która zatrzymuje maszynę, należy wymienić uszkodzone ostrze. Pozwolić, aby przedstawiciel serwisowy oszacował, czy ostrze można naostrzyć czy wymienić.

Wymiana ostrza

1. Zablokować ostrze przy użyciu drewnianego bloku. (Rys. 36)
2. Wymontować śrubę ostrza.
3. Zdjąć ostrze.
4. Skontrolować wspornik ostrza oraz śrubę ostrza pod kątem uszkodzeń.
5. Skontrolować wał silnika, aby upewnić się, że nie jest zgięty.
6. Podczas mocowania nowego ostrza należy skierować zakrzywione końce ostrza ku osłonie osprzętu tnącego. (Rys. 37)
7. Upewnić się, że ostrze jest wyrównane względem środka wału silnika.
8. Zablokować ostrze przy użyciu drewnianego bloku. Zamocować podkładkę sprężynową i dokręcić śrubę oraz podkładkę momentem dokręcania wynoszącym 43 – 47 Nm. (Rys. 38)
9. Obracać ostrzem za pomocą ręki i sprawdzić, czy obraca się swobodnie.



OSTRZEŻENIE: Nosić solidne rękawice ochronne. Ostrze jest bardzo ostre i może łatwo doprowadzić do skaleczenia.

10. Uruchomić maszynę w celu przetestowania ostrza. Jeśli ostrze nie zostało zamontowane prawidłowo, maszyna będzie wibrować lub rezultaty koszenia będą niezadowolające.

Kontrola poziomu oleju



UWAGA: Za niski poziom oleju może doprowadzić do poważnego uszkodzenia silnika. Przed uruchomieniem maszyny należy skontrolować poziom oleju.

1. Postawić maszynę na równym podłożu.
2. Odkręcić korek zbiornika oleju z zamocowanym wskaźnikiem prętowym.
3. Zetrzeć olej z prętowego wskaźnika poziomu oleju.
4. Włożyć prętowy wskaźnik całkowicie do zbiornika, aby sprawdzić rzeczywisty poziom oleju.
5. Wyjąć prętowy wskaźnik poziomu oleju.
6. Sprawdzić poziom oleju na wskaźniku prętowym.
7. Jeśli poziom oleju jest zbyt niski, napełnić zbiornik olejem silnikowym i wykonać ponowną kontrolę poziomu oleju.

Wymiana oleju silnikowego



OSTRZEŻENIE: Olej silnikowy jest niezwykle gorący bezpośrednio po wyłączeniu silnika. Poczekać na ostygnięcie silnika przed spuszczeniem oleju silnikowego. W przypadku rozlania oleju silnikowego na skórę, zmyć go wodą z mydłem.

(Rys. 39)

1. Obsługiwać maszynę do momentu opróżnienia zbiornika paliwowego.
2. Odłączyć przewód zapłonowy od świecy zapłonowej.
3. Odkręcić korek zbiornika oleju.
4. Umieścić pod maszyną pojemnik, do którego zebrany zostanie olej silnikowy.
5. Przechylić maszynę w celu spuszczenia oleju ze zbiornika.
6. Napełnić nowym olejem silnikowym zgodnym z zaleceniami zawartymi w *Dane techniczne na stronie 285*.
7. Skontrolować poziom oleju. Patrz *Kontrola poziomu oleju na stronie 281*.

Sprawdzanie świecy zapłonowej



UWAGA: Stosuj wyłącznie świece zapłonowe zalecane przez producenta. Niewłaściwy typ świecy zapłonowej może spowodować uszkodzenie produktu.

- Sprawdzić świecę zapłonową, jeśli silnik ma za małą moc, trudno go uruchomić lub nie działa prawidłowo na biegu jałowym.
- Aby zmniejszyć ryzyko przedostawania się niepożądanych materiałów na elektrody świecy zapłonowej, należy przestrzegać poniższych instrukcji:
 - a) Dopilnować, by obroty biegu jałowego zostały prawidłowo wyregulowane.
 - b) Dopilnować, aby używana była odpowiednia mieszanka paliwowa.
 - c) Zadbąć o czystość filtra powietrza.
- Jeśli świeca zapłonowa jest zabrudzona, należy ją wyczyścić i upewnić się, że odstęp między elektrodami jest prawidłowy, patrz *Dane techniczne na stronie 285*. (Rys. 40)
- W razie potrzeby wymienić świecę zapłonową.

Filtr powietrza

Zanieczyszczony filtr powietrza może spowodować uszkodzenie lub nieprawidłowe działanie silnika. W warunkach dużego zapylenia należy częściej przeprowadzać czynności konserwacyjne filtra powietrza. Aby uzyskać informacje na temat tego, kiedy należy wymienić filtr powietrza, patrz *Przegląd na stronie 279*.

Uwaga: Zawsze wymieniać uszkodzony filtr powietrza.

Demontaż i montaż filtra powietrza



OSTRZEŻENIE: Stosować rękawice ochronne.

1. Wcisnąć zaciski na pokrywie filtra powietrza.
2. Ostrożnie wymontować pokrywę filtra powietrza (A) z silnika.
3. Wymontować filtr powietrza (B). (Rys. 41)
4. Sprawdzić filtr powietrza pod kątem uszkodzeń. Uszkodzony filtr powietrza należy wymienić.
5. Wyczyścić i sprawdzić filtr powietrza. Patrz *Czyszczenie filtra powietrza na stronie 282*.
6. Zamontować w odwrotnej kolejności.

Czyszczenie filtra powietrza

Zanieczyszczony filtr powietrza może spowodować uszkodzenie lub nieprawidłowe działanie silnika. W warunkach dużego zapylenia należy częściej

przeprowadzać czynności konserwacyjne filtra powietrza.

Aby uzyskać informacje na temat tego, kiedy należy wymienić filtr powietrza, patrz *Przegląd na stronie 279*.

1. Zdjąć pokrywę filtra powietrza i wyjąć filtr.
2. Wyczyścić filtr, opukując go o płaską powierzchnię. Do czyszczenia filtra nie należy używać rozpuszczalnika z ropą naftową lub naftą ani sprężonego powietrza.

Uwaga: Całkowite oczyszczenie filtrów powietrza po długim okresie użytkowania nie jest możliwe. Należy wymienić filtr powietrza w równomiernych odstępach czasu. Uszkodzone filtry powietrza należy natychmiast wymienić na nowe.

3. Podczas montażu filtra powietrza upewnić się, że ściśle przylega on do uchwytu filtra.

Kontrola deflektora wyrzutu bocznego

Deflektor wyrzutu bocznego jest przymocowany do otworu wyrzutu bocznego produktu. Zmniejsza ryzyko wyrzucenia przedmiotów w kierunku operatora podczas koszenia.

1. Należy upewnić się, że deflektor wyrzutu bocznego nie jest uszkodzony.
2. Przeprowadzić kontrolę deflektora wyrzutu bocznego. Upewnić się, że nie występują uszkodzenia, takie jak rysy lub pęknięte sprężyny, które mogłyby spowodować zamknięcie drzwi.
3. Wymienić deflektor wyrzutu bocznego lub sprężyny, jeżeli uległy uszkodzeniu.

Kontrolowanie instalacji paliwowej

- Skontrolować korek zbiornika paliwa oraz uszczelkę korka zbiornika paliwa w celu upewnienia się, że nie występują żadne uszkodzenia.
- Skontrolować przewód paliwowy w celu upewnienia się, że nie przecieka. W przypadku uszkodzenia przewodu paliwowego zlecić jego wymianę przedstawicielowi serwisowemu.

Regulacja linki sprzęgła (LC 151S, LB 251S, LB 256SP)

Skrócenie linki sprzęgła jest konieczne w następujących sytuacjach:

- Po pociągnięciu dźwigni napędu lub dźwigni regulacji obrotów napęd kół nie włącza się.
- Po włączeniu napędu kół produkt porusza się powoli.

Wydłużenie linki sprzęgła jest konieczne w następujących sytuacjach:

- Produkt porusza się, gdy napęd kół nie jest włączony.
- Wyregulować linkę sprzęgła.

- a) Aby skrócić linkę sprzęgła, należy obrócić śrubę regulacyjną w lewo.
- b) Aby wydłużyć linkę sprzęgła, należy obrócić śrubę regulacyjną w prawo. (Rys. 42)

Jeśli po zakończeniu regulacji produktu jego działanie wciąż będzie niezadowolające, należy skontaktować się z punktem serwisowym

Rozwiązywanie problemów z silnikiem

Problem	Możliwa przyczyna	Rozwiązanie
Silnik nie uruchamia się.	Przewód zapłonowy nie jest poprawnie podłączony.	Podłączyć przewód zapłonowy do świecy zapłonowej.
	Zbiornik paliwa jest pusty.	Zbiornik paliwa napełniać czystą mieszanką paliwową.
	Paliwo jest stare.	Opróżnić zbiornik paliwa i gaźnik. Zatanakować nową benzynę.
	Gaźnik lub przewód paliwowy jest zabrudzony.	Wyczyścić gaźnik i/lub przewód paliwowy.
	Świeca zapłonowa jest uszkodzona.	Wyregulować odstęp między elektrodami, wyczyścić lub wymienić świecę zapłonową.
	Na świecy zapłonowej znajduje się paliwo.	Oczyścić świecę zapłonową.
Silnik nie zatrzymuje się.	Usterka mechanizmu zatrzymującego.	Odłączyć przewód zapłonowy od świecy zapłonowej. Wykonanie naprawy należy zlecić autoryzowanemu warsztatowi obsługi technicznej.
Silnik nie pracuje płynnie.	Przewód zapłonowy nie jest poprawnie podłączony.	Podłączyć przewód zapłonowy do świecy zapłonowej.
	Przewód paliwowy jest zabrudzony lub paliwo jest stare.	Wyczyścić przewód paliwowy. Napełnić zbiornik paliwa odpowiednim czystym paliwem.
	Zakrętka zbiornika paliwa jest zapchana.	Oczyścić korek zbiornika paliwa.
	W układzie paliwowym znajdują się zanieczyszczenia lub woda.	Opróżnić zbiornik paliwa. Napełnić zbiornik paliwa odpowiednim czystym paliwem.
	Filtr powietrza jest zabrudzony.	Oczyścić filtr powietrza.
	Należy wyregulować gaźnik.	Regulację gaźnika należy zlecić punktowi serwisowemu.
Silnik staje się zbyt gorący.	Poziom oleju silnikowego jest zbyt niski.	Napełnić olej silnikowy.
	Przepływ powietrza jest niewystarczający.	Wyczyścić filtr powietrza i obudowę filtra powietrza.
	Należy wyregulować gaźnik.	Regulację gaźnika należy zlecić punktowi serwisowemu.
Podczas pracy na wysokich obrotach silnika występują przerwy w zaplonie.	Odstęp między elektrodami świecy zapłonowej jest zbyt mały.	Ustawić odstęp między elektrodami.

Problem	Możliwa przyczyna	Rozwiązanie
Z silnika wydobywa się nietypowy hałas przy normalnym obciążeniu.	Nieprawidłowy typ benzyny.	Opróżnić zbiornik paliwa i gaźnik. Zatkanować nową benzynę. Patrz <i>Uzupełnianie paliwa na stronie 277</i> . Jeśli problem utrzymuje się, należy skontaktować się z lokalnym warsztatem obsługi technicznej.
Silnik nie pracuje płynnie przy obrotach biegu jałowego.	Elektrody świecy zapłonowej są zanieczyszczone lub uszkodzone lub odstęp między nimi jest zbyt duży.	Wyregulować odstęp między elektrodami lub wymienić świecę zapłonową.
	Należy wyregulować gaźnik.	Wyregulować gaźnik.
	Filtr powietrza jest zabrudzony.	Oczyścić filtr powietrza.

Transport, przechowywanie i utylizacja

Transport i przechowywanie

- W zakresie przechowywania i transportu maszyny i paliwa należy upewnić się, że nie ma żadnych przecieków ani nie wydostają się z urządzenia żadne opary. Iskry lub otwarty płomień pochodzące, na przykład, z urządzeń elektrycznych lub kotłów, mogą wzniecić pożar.
- Zawsze należy korzystać z zatwierdzonych pojemników do przechowywania i transportu paliwa.
- Opróżnić zbiornik paliwa przed odłożeniem maszyny na dłuższy okres. Utylizacja paliwa w odpowiednim miejscu
- Podczas transportu, w celu zapobieżenia uszkodzeniu i wypadkom, maszynę należy bezpiecznie zamocować.
- Maszynę należy przechowywać w zamkniętym obszarze w celu uniemożliwienia dzieciom lub nieupoważnionym osobom uzyskania do niej dostępu.
- Produkt przechowywać w suchym obszarze nie narażonym na przymrozki.

Utylizacja

- Przestrzegać lokalnych wymogów dotyczących recyklingu oraz obowiązujących przepisów.
- Zutyliczować wszelkie środki chemiczne, takie jak olej silnikowy i paliwo, w centrum serwisowym lub w odpowiednim miejscu utylizacji.
- Gdy produkt nie jest już użytkowany, należy go odesłać Husqvarna do dealera lub zutyliczować w centrum utylizacji.

Dane techniczne

Dane techniczne

	LC 151	LC 151S	LB 251S	LB 256SP
Silnik				
Marka	Husqvarna	Husqvarna	Husqvarna	Husqvarna
Typ silnika	Jednocylindrowy, 4-suwowy, wymuszony obieg powietrza chłodzącego, OHV	Jednocylindrowy, 4-suwowy, wymuszony obieg powietrza chłodzącego, OHV	Jednocylindrowy, 4-suwowy, wymuszony obieg powietrza chłodzącego, OHV	Jednocylindrowy, 4-suwowy, wymuszony obieg powietrza chłodzącego, OHV
Pojemność, cm ³	166	166	166	166
Prędkość, obr./min	2800	2800	2800	2800
Nominalna moc wyjściowa silnika (kW) ¹²⁹	2,7	2,7	2,7	2,7
Układ zapłonowy				
Świeca zapłonowa	Husqvarna HQT-7	Husqvarna HQT-7	Husqvarna HQT-7	Husqvarna HQT-7
Odstęp między elektrodami świecy, w mm	0,7–0,8	0,7–0,8	0,7–0,8	0,7–0,8
Układ zasilania/smarowania				
Metoda smarowania silnika	Rozprysk	Rozprysk	Rozprysk	Rozprysk
Pojemność zbiornika paliwa, litry	1,0	1,0	1,0	1,0
Pojemność zbiornika oleju, w litrach	0,5	0,5	0,5	0,5
Olej silnikowy ¹³⁰	Husqvarna SAE 30	Husqvarna SAE 30	Husqvarna SAE 30	Husqvarna SAE 30
Waga				
Z pustymi zbiornikami, kg	31,1	32,6	32,0	33,1
Poziom hałas¹³¹				
Poziom mocy akustycznej, zmierzony, dB(A)	96	96	95	97
Poziom głośności, gwarantowana moc akustyczna L _{WA} dB(A)	98	98	96	98

¹²⁹ Moc silnika podana jest jako średnia, wyjściowa moc znamionowa (przy podanych obrotach) dla typowego modelu produkowanego silnika zmierzonego wg normy SAE J1349/ISO1585. Silniki produkowane masowo mogą odbiegać od tej wartości. Aktualna moc wyjściowa zainstalowanego na maszynie silnika zależeć będzie od prędkości obrotowej, warunków otoczenia oraz innych wartości.

¹³⁰ Jeśli olej SAE-30 jest stosowany w temperaturach poniżej +5°C, istnieje ryzyko, że silnik nie będzie odpowiednio smarowany. Może to doprowadzić do uszkodzenia silnika. Informacje na temat prawidłowego poziomu oleju dla niskich temperatur można znaleźć w *Wymiana oleju silnikowego na stronie 281*.

¹³¹ Emisję hałasu do otoczenia zmierzono jako moc akustyczną (L_{WA}), zgodnie z dyrektywą WE 2000/14/WE.

	LC 151	LC 151S	LB 251S	LB 256SP
Poziomy głośności¹³²				
Poziom ciśnienia akustycznego przy uchu operatora, dB(A)	86	86	82	86
Poziomy drgań¹³³				
Poziom drgań uchwytu sterowniczego, m/s ²	8,5	8,5	4,7	7,5
Osprzęt tnący				
Wysokość koszenia, mm	25–75	25–75	25–75	25–75
Szerokość koszenia, mm	510	510	510	560
Układ koszący	Zbieranie / Bio-Clip® / Wyrzut boczny	Zbieranie / Bio-Clip® / Wyrzut boczny	BioClip® / Wyrzut boczny	BioClip® / Wyrzut boczny
Ostrze — standard	Zbieranie 598562601	Zbieranie 598562601	Mulczowanie 597683901	Mulczowanie 598563601
Ostrze — akcesorium	Mulczowanie 597683901	Mulczowanie 597683901	–	–
Pojemność zbiornika na trawę, l	65	65	–	–
Napęd				
Prędkość chodu, km/h	–	3,6	4,0	3,6

¹³² Odnotowane dane dla ciśnienia akustycznego mają typowe rozproszenie statystyczne (odchylenie standardowe) w wysokości 1,2 dB (A).

¹³³ Odnotowane dane dla poziomu vibracji mają typowe rozproszenie statystyczne (odchylenie standardowe) w wysokości 0,2 m/s².

Deklaracja zgodności WE

Deklaracja zgodności WE

Firma **Husqvarna AB**, SE-561 82 Huskvarna, Szwecja,
tel.: +46-36-146500, oświadcza, że **kosiarka Husqvarna
LC 151, LC 151S, LB 251S, LB 256SP**, począwszy od
roku 2020, są zgodne z przepisami zawartymi w
DYREKTYWIE RADY

- z dnia 8 czerwca 2011 roku, „dotyczącej ograniczenia użycia określonych substancji niebezpiecznych” **2011/65/JE**.
- z 17 maja 2006 r. „dotyczącej maszyn” **2006/42/WE**
- z 26 lutego 2014 roku, „dotyczącej kompatybilności elektromagnetycznej” **2014/30/JE**
- z 8 maja 2000 roku, „dotyczącej emisji hałasu do otoczenia” **2000/14/WE**

Informacje dotyczące emisji hałasu podano w rozdziale „Dane techniczne”.

Zostały zastosowane następujące normy:

EN ISO 5395-1:2013, EN ISO 5395-1:2013/A1, EN ISO 5395-2:2013, EN ISO 5395-2:2013/A1:2016, EN ISO 5395-2:2013/A2:2017, EN ISO 14982:2009

Jeśli nie podano inaczej, wymienione powyżej normy to najnowsze opublikowane wersje.

Jednostka notyfikowana (LC 151, LC 151S, LB 256SP):
**0036, TÜV SÜD Industrie Service GmbH,
Westendstrasse 199, 80686 München, Germany**
przeprowadziła ocenę zgodności według załącznika VI
dyrektywy 2000/14/WE.

Jednostka notyfikowana (LB 251S): **0404, RISE SMP
Svensk Maskinprovning AB, Box 7035, SE-750 07
Uppsala, Sweden** przeprowadziła ocenę zgodności
według załącznika VI dyrektywy 2000/14/WE.

Huskvarna, 2020-10-20



Claes Losdal, menedżer ds. rozwoju/produkty ogrodowe
(autoryzowany przedstawiciel Husqvarna AB oraz osoba
odpowiedzialna za dokumentację techniczną)

ÍNDICE

Introdução.....	288	Resolução de problemas no motor.....	298
Segurança.....	289	Transporte, armazenamento e eliminação.....	299
Montagem.....	292	Especificações técnicas.....	300
Funcionamento.....	292	Declaração CE de conformidade.....	302
Manutenção.....	294		

Introdução

Descrição do produto

O produto é um corta-relva giratório de controlo apeado. Para LC 151, LC 151S, fixe o coletor de relva para recolher a relva. Fixe o defletor de descarga lateral para a descarga lateral da relva. Para LC 151, LC 151S, prenda um kit de trituração para cortar a relva e torná-la fertilizante.

Vista geral do produto

(Fig. 1)

1. Barra de direção
2. Manípulo de travão do motor
3. Manípulo de direção (LC 151S, LB 256SP)
4. Alavanca de transmissão (LB 251S)
5. Cobertura traseira (LC 151, LC 151S)
6. Coletor de relva (LC 151, LC 151S)
7. Botões de ajuste da altura do punho
8. Alavanca da altura de corte
9. Vareta e tampa de óleo
10. Cobertura de descarga lateral
11. Silenciador
12. Vela de ignição
13. Carburador
14. Tampa do depósito de combustível
15. Símbolos
16. Cobertura de corte
17. Filtro de ar
18. Defletor lateral
19. Kit de trituração (acessório para LC 151, LC 151S)
20. Punho do cabo de arranque
21. Manual do utilizador

Símbolos no produto

- (Fig. 2) AVISO! Seja cuidadoso e utilize o produto corretamente. Este produto pode provocar ferimentos graves ou a morte do utilizador ou terceiros.
- (Fig. 3) Leia o manual do utilizador com atenção e certifique-se de que compreende as instruções antes de utilizar o produto.

Finalidade

Utilize o produto para cortar a relva. Não utilize o produto para outras tarefas.

- (Fig. 4) Tenha cuidado com objetos projetados e ricochetes.
- (Fig. 5) Mantenha as pessoas e os animais a uma distância de segurança da área de trabalho.
- (Fig. 6) Aviso: Mantenha as mãos e os pés afastados da lâmina rotativa.
- (Fig. 7) Aviso: Mantenha as mãos e os pés afastados das peças rotativas.
- (Fig. 8) Desligue o motor e retire o cabo de ignição antes de realizar tarefas de reparação ou manutenção.
- (Fig. 9) Este produto está em conformidade com as diretivas aplicáveis da CE.
- (Fig. 10) Emissões de ruído para o meio ambiente conforme diretiva da Comunidade Europeia. As emissões do produto são indicadas no capítulo de Especificações técnicas e na etiqueta.
- (Fig. 11) Risco de incêndio.
- (Fig. 12) Não respire os gases de escape. Os gases de escape do motor contêm monóxido de carbono, um gás inodoro, tóxico e altamente perigoso. Não ligue o motor em zonas interiores ou em espaços fechados.
- (Fig. 13) Superfície quente.
- (Fig. 14) Encha o motor com óleo antes de ligar o produto.

Nota: Os restantes símbolos/autocolantes existentes no produto dizem respeito a requisitos para homologação em algumas áreas comerciais.

Responsabilidade pelo produto

Como referido nas leis de responsabilidade pelo produto, não somos responsáveis por danos causados pelo nosso produto se:

- o produto tiver sido incorretamente reparado.
- o produto tiver sido reparado com peças que não sejam do fabricante ou que não sejam aprovadas pelo fabricante.

- o produto tiver um acessório que não seja do fabricante ou que não seja aprovado pelo fabricante.
- o produto não tiver sido reparado por um centro de assistência autorizado ou por uma autoridade aprovada.

Emissões Euro V



ATENÇÃO: A adulteração do motor anula a aprovação deste produto pela UE.

Segurança

Definições de segurança

Os avisos, as precauções e as notas são utilizados para indicar partes especialmente importantes do manual.



ATENÇÃO: Utilizado no caso de existir risco de ferimento ou morte para o utilizador ou transeuntes, se não forem respeitadas as instruções do manual.



CUIDADO: Utilizado se existir risco de danos para o produto, para outros materiais ou para a área adjacente, se não forem respeitadas as instruções do manual.

Nota: Utilizado para disponibilizar informações adicionais necessárias numa determinada situação.

Instruções de segurança gerais



ATENÇÃO: Leia as instruções de aviso que se seguem antes de utilizar o produto.

- Este produto é perigoso se for utilizado de forma incorreta ou se não o utilizador for cuidadoso. Podem ocorrer ferimentos graves ou mesmo morte se as instruções de segurança não forem respeitadas.
- Este produto produz um campo eletromagnético durante o funcionamento. Em determinadas circunstâncias, este campo pode interferir com o funcionamento de implantes médicos ativos ou passivos. Para diminuir o risco de ferimentos graves ou mortais, recomendamos que os portadores de implantes médicos consultem o seu médico e o fabricante do implante antes de utilizar este produto.
- Seja sempre cuidadoso e use o seu senso comum. Se não tiver a certeza sobre como utilizar o produto numa situação especial, pare e fale com o seu revendedor Husqvarna antes de continuar.

- Tenha em atenção que o utilizador é responsável pelos acidentes que incluam outras pessoas ou a respetiva propriedade.
- Mantenha o produto limpo. Certifique-se de que pode ler claramente os sinais e os autocolantes.
- O produto só pode ser utilizado por pessoas que lerem e compreenderam o conteúdo do manual do operador.
- Não deixe uma criança utilizar o produto.
- Mantenha as crianças afastadas da área de trabalho. Tem de estar sempre presente um adulto responsável.
- Não deixe que o produto seja utilizado por uma pessoa que não conhece as instruções.
- Monitorize sempre a utilização do produto por pessoas com diminuição da capacidade física ou mental. Tem de estar sempre presente um adulto responsável.
- Não utilize o produto se estiver cansado, doente ou sob a influência de álcool, drogas ou medicamentos. Estes têm um efeito negativo na sua visão, atenção, capacidade de discernimento ou controlo físico.
- Não altere o produto se este apresentar algum defeito.
- Não altere este produto e não o utilize se houver a possibilidade de ter sido alterado por outros.
- Não altere o ajuste do controlo da velocidade do motor.

Segurança no local de trabalho



ATENÇÃO: Leia as instruções de aviso que se seguem antes de utilizar o produto.

- Retire objetos como ramos, galhos e pedras da área de trabalho antes de utilizar o produto.
- Os objetos que embatam no equipamento de corte podem ser projetados e causar danos a pessoas e objetos. Mantenha terceiros e animais a uma distância de segurança do produto.

- Nunca utilize o produto em más condições meteorológicas, como nevoeiro, chuva, ventos fortes, frio intenso e risco de trovoada. A utilização do produto em más condições meteorológicas ou em localizações molhadas ou com humidade é cansativa. As más condições meteorológicas podem causar condições perigosas, como superfícies escorregadias.
- Observe se há pessoas, objetos e situações que possam impedir o funcionamento seguro do produto.
- Observe se há obstáculos como raízes, pedras, ramos, buracos e valas. A relva longa pode ocultar obstáculos.
- Cortar relva em declives pode ser perigoso. Não utilize o produto em terrenos com um declive superior a 15°.
- Utilize o produto ao longo da face dos declives. Não se desloque para cima e para baixo.
- Tenha cuidado ao aproximar-se de esquinas com pouca visibilidade e de objetos que possam impedir uma boa visibilidade.
- Mantenha-se sempre por trás do produto quando o operar.
- Mantenha todas as rodas no chão e as duas mãos sobre o punho quando utilizar o produto. Mantenha as mãos e os pés afastados das lâminas rotativas.
- Não incline o produto quanto ligar o motor.
- Tenha cuidado quando puxar o produto para trás.
- Nunca levante o produto quando ligar o motor. Se tiver de levantar o produto, desligue primeiro o motor e o cabo de ignição da vela de ignição.
- Não caminhe para trás quando operar o produto.
- Desligue o motor quando se deslocar em zonas sem relva, por exemplo caminhos de gravilha, pedra e asfalto.
- Não corra com o produto quando o motor está ligado. Caminhe sempre que operar o produto.
- Pare o motor antes de mudar a altura de corte. Nunca efetue ajustes com o motor ligado.
- Nunca deixe o produto fora de vista com o motor ligado. Pare o motor e certifique-se de que o equipamento de corte não roda.

Segurança do trabalho



ATENÇÃO: Leia as instruções de aviso que se seguem antes de utilizar o produto.

- Utilize este produto apenas para cortar relva. Não é permitido utilizá-lo para outras tarefas.
- Use equipamento de proteção pessoal. Consulte *Equipamento de proteção pessoal na página 290*.
- Certifique-se de que sabe como desligar o motor rapidamente em caso de emergência.
- Nunca ligue o motor num espaço fechado ou perto de material inflamável. Os gases de escape do motor são quentes e podem conter faíscas causadoras de incêndios.
- Não utilize o produto, a menos que a lâmina e todas as coberturas estejam corretamente montadas. Uma lâmina montada incorretamente pode soltar-se e causar ferimentos pessoais.
- Certifique-se de que a lâmina não atinge objetos como pedras e raízes. Isto pode causar danos à lâmina e dobrar o eixo do motor. Um eixo dobrado provoca fortes vibrações e um elevado risco de a lâmina se soltar.
- Se a lâmina atingir um objeto ou ocorrerem vibrações, pare o produto imediatamente. Desligue o cabo de ignição da vela de ignição. Examine se o produto apresenta sinais de danos. Repare os danos ou solicite a reparação numa oficina autorizada.
- Nunca ligue o manípulo de travão do motor de modo permanente ao punho durante o arranque do motor.
- Coloque o produto numa superfície estável e plana e ligue-o. Certifique-se de que a lâmina não atinge o solo ou outros objetos.

Instruções de segurança para funcionamento

Equipamento de proteção pessoal



ATENÇÃO: Leia as instruções de aviso que se seguem antes de utilizar o produto.

- O equipamento de proteção pessoal não previne totalmente os ferimentos mas diminui a respetiva gravidade em caso de acidente. Obtenha ajuda junto do seu concessionário para selecionar o equipamento certo.
- Utilize protetores acústicos se o nível de ruído for superior a 85 dB.
- Use botas ou sapatos antiderrapantes resistentes. Não use calçado aberto nem ande com os pés descalços.
- Use calças compridas e resistentes.
- Use luvas de proteção sempre que necessário, por exemplo, ao fixar, examinar ou limpar o equipamento de corte.

Dispositivos de segurança no produto



ATENÇÃO: Leia as instruções de aviso que se seguem antes de utilizar o produto.

- Não utilize o produto com dispositivos de segurança defeituosos.
- Verifique regularmente os dispositivos de segurança. Se os dispositivos de segurança estiverem defeituosos, fale com a sua oficina Husqvarna autorizada.

Verificar a cobertura de corte

A cobertura de corte reduz as vibrações no produto e o risco de ferimentos causados pela lâmina.

- Examine a cobertura de corte para se certificar de que não existem danos, como fissuras.

Verificar o punho do travão do motor

O manípulo de travão do motor para o motor. Quando o manípulo de travão do motor é libertado, o motor para.

- Ligue o motor e depois solte o punho do travão do motor. Se o motor não parar em 3 segundos, solicite o ajuste do travão do motor numa oficina Husqvarna autorizada. (Fig. 15)

Verificar a cobertura traseira

O defletor traseiro diminui o risco de projeção de objetos na direção do utilizador.

- Certifique-se de que a cobertura traseira não está danificada.
- Certifique-se de que as molas que fecham a cobertura traseira não estão danificadas.
- Substitua as molas e as peças danificadas.
- Certifique-se de que a cobertura traseira consegue mover-se facilmente nas dobradiças.

Silenciador

O silenciador mantém o mais baixo nível de ruído possível e afasta os gases de escape do utilizador.

Não utilize o produto se o silenciador estiver defeituoso ou estiver em falta. Um silenciador defeituoso aumenta o nível de ruído e o risco de incêndio.



ATENÇÃO: O silenciador fica muito quente durante e após a utilização e quando o motor funciona ao ralenti. Tenha cuidado junto de materiais inflamáveis e/ou vapores para evitar incêndios.

Verificar o silenciador

- Examine o silenciador regularmente para se certificar de que está bem fixo e não está danificado.

Segurança no manuseamento do combustível



ATENÇÃO: Leia as instruções de aviso que se seguem antes de utilizar o produto.

- Não ligue o produto se houver combustível ou óleo do motor sobre o produto. Remova o combustível/ óleo indesejado e deixe o produto secar.
- Se derramar combustível na sua roupa, troque de roupa imediatamente.
- Não deixe que o combustível entre em contacto com o seu corpo, pois pode causar ferimentos. Se o

combustível entrar em contacto com o seu corpo, use sabão e água para o remover.

- Não ligue o produto se o motor tiver uma fuga. Examine regularmente o motor quanto a fugas.
- Tenha cuidado com o combustível. O combustível é inflamável e os gases são explosivos e podem causar ferimentos ou morte.
- Não respire os gases do combustível, podem causar ferimentos. Certifique-se de que existe um fluxo de ar suficiente.
- Não fume perto de combustível ou do motor.
- Não coloque objetos quentes perto do combustível ou do motor.
- Não acrescente combustível com o motor em funcionamento.
- Certifique-se de que o motor está frio antes de reabastecer.
- Antes de reabastecer, abra lentamente a tampa do depósito de combustível e liberte a pressão com cuidado.
- Não adicione combustível ao motor numa área interior. O fluxo de ar insuficiente pode causar ferimentos ou morte devido a asfixia ou monóxido de carbono.
- Aperte completamente a tampa de depósito de combustível. Se a tampa de depósito de combustível não estiver apertada, existe um risco de incêndio.
- Desloque o produto a uma distância mínima de 3 m (10 pés) da posição onde abasteceu o depósito antes de começar.
- Não encha totalmente o depósito de combustível. O calor provoca a expansão do combustível. Mantenha um espaço na parte superior do depósito de combustível.

Instruções de segurança para manutenção



ATENÇÃO: Leia as instruções de aviso que se seguem antes de utilizar o produto.

- Os gases de escape do motor contêm monóxido de carbono, um gás inodoro, tóxico e altamente perigoso. Não ligue o motor em zonas interiores ou em espaços fechados.
- Antes de proceder à manutenção do produto, desligue o motor e retire o cabo de ignição da vela de ignição.
- Use luvas de proteção quando realizar a manutenção do equipamento de corte. A lâmina é muito afiada e pode facilmente provocar cortes.
- A utilização de acessórios e a realização de alterações no produto que não sejam aprovadas pelo fabricante podem causar ferimentos graves ou morte. Não altere o produto. Utilize sempre acessórios que sejam aprovados pelo fabricante.

- Se a manutenção não for realizada de forma correta e regular, o risco de ferimentos e danos no produto aumenta.
- Realize apenas tarefas de manutenção indicadas neste manual do proprietário. Todas as outras

- operações de manutenção devem ser realizadas por uma oficina Husqvarna autorizada.
- Leve o produto regularmente a uma oficina Husqvarna autorizada para realizar a manutenção.
- Substitua as peças danificadas, gastas ou partidas.

Montagem

Introdução



ATENÇÃO: Antes de montar o produto, tem de ler e compreender o capítulo sobre segurança.



ATENÇÃO: Retire o cabo da vela de ignição antes de montar o produto.

Montar o punho

1. Empurre o parafuso (A) através do punho (B), da anilha de plástico (C) e do suporte do punho (D). (Fig. 16)
2. Aperte totalmente a porca (E).
3. Empurre o parafuso (F) através da anilha (G) e do suporte do punho. (Fig. 17)
4. Aperte totalmente o botão (H).

Ajustar o punho

1. Desaperte os manípulos inferiores.
2. Desloque os botões para a extremidade inferior das ranhuras, dos lados esquerdo e direito do produto. (Fig. 18)
3. Defina a altura do punho para uma das 2 posições disponíveis.
4. Desloque os botões para cima em direção ao punho, até pararem e ouvir um clique. (Fig. 19)

5. Aperte os botões totalmente.

Colocar o produto na posição de transporte

1. Desaperte os manípulos inferiores.
2. Desloque os botões para a extremidade inferior das ranhuras, dos lados esquerdo e direito do produto. (Fig. 18)
3. Dobre a barra do guiador para a frente. (Fig. 20)

Para colocar o produto na posição de funcionamento

1. Dobre o punho para a posição vertical. (Fig. 21)
2. Desloque os botões para cima em direção ao punho, até pararem e ouvir um clique. (Fig. 19)
3. Aperte os botões totalmente.

Montar o coletor de relva (LC 151, LC 151S)

1. Coloque a estrutura do coletor de relva no saco de relva com a parte rígida do saco no fundo. Mantenha o punho da estrutura fora da parte superior do saco. (Fig. 22)
2. Fixe o saco de relva à estrutura com os grampos. (Fig. 23)

Funcionamento

Introdução



ATENÇÃO: Antes de utilizar o produto, tem de ler e compreender o capítulo sobre segurança.

Husqvarna Connect

A Husqvarna Connect é uma aplicação gratuita para o seu dispositivo móvel. A aplicação Husqvarna Connect disponibiliza funções alargadas para o seu produto Husqvarna:

- Informações alargadas sobre o produto.
- Informações sobre, e ajuda relacionada com peças e manutenção do produto.

Começar a utilizar Husqvarna Connect

1. Transfira a aplicação Husqvarna Connect para o seu dispositivo móvel.
2. Registe-se na aplicação Husqvarna Connect.
3. Siga os passos das instruções na aplicação Husqvarna Connect para ligar e registar o produto.

Antes de utilizar o produto

1. Leia o manual do utilizador com atenção e certifique-se de que compreende as instruções.
2. Examine o equipamento de corte para se certificar de que está corretamente montado e ajustado. Consulte o capítulo *Para examinar o equipamento de corte na página 296*.

3. Encha o depósito de combustível. Consulte o capítulo *Encher o depósito de combustível na página 293*.
4. Encha o depósito de combustível e verifique o nível do óleo. Consulte o capítulo *Para verificar o nível do óleo na página 296*.

Encher o depósito de combustível

Se disponível, utilize gasolina com base em alquilatos/ecológica. Se não estiver disponível gasolina com base em alquilatos/ecológica, utilize gasolina sem chumbo de boa qualidade ou gasolina com chumbo com um índice de octanas de pelo menos 90.



CUIDADO: Não utilize gasolina com um índice de octanas inferior a 90 RON (87 AKI). Caso contrário, pode causar danos ao produto.

1. Abra a tampa do depósito de combustível devagar para libertar a pressão.
2. Encha lentamente com um recipiente de combustível. Se derramar combustível, retire-o com um pano e deixe o combustível restante secar. (Fig. 24)
3. Limpe bem à volta da tampa do depósito de combustível.
4. Aperte completamente a tampa de depósito de combustível. Se a tampa de depósito de combustível não estiver apertada, existe um risco de incêndio.
5. Desloque o produto a uma distância mínima de 3 m (10 pés) da posição onde abasteceu o depósito antes de começar.

Para definir a altura de corte

1. Mova a alavanca da altura de corte para trás para aumentar a altura de corte.
2. Mova a alavanca da altura de corte para a frente para diminuir a altura de corte. (Fig. 25)



CUIDADO: Não regule a altura de corte demasiado baixa. As lâminas podem entrar em contacto com o solo se a superfície do relvado não estiver nivelada.

Para ligar o produto

1. Certifique-se de que o cabo de ignição está ligado à vela de ignição.
2. Mantenha-se atrás do produto.
3. Segure o manípulo de travão do motor contra a barra de direção. (Fig. 26)
4. Segure o punho do cabo de arranque com a mão direita.
5. Puxe lentamente o cabo de arranque até sentir alguma resistência.
6. Puxe com força para fazer arrancar o motor.



ATENÇÃO: Não enrole o cabo de arranque na mão.

Utilizar a transmissão das rodas LC 151S & LB 256SP

- Empurre o manípulo de direção no sentido da barra de direção. (Fig. 27)
- Solte o manípulo de direção para desengatar a transmissão, por exemplo quando se aproximar de um obstáculo.
- Antes de puxar o produto para trás, desengate a transmissão e empurre o produto para a frente aproximadamente 10 cm.

Utilizar a transmissão das rodas (LB 251S)

- Puxe a alavanca de direção no sentido da barra de direção. (Fig. 28)
- Afaste a alavanca de direção da barra de direção para desengatar a transmissão, por exemplo, quando se aproximar de um obstáculo.

Nota: A alavanca de direção é desengatada automaticamente quando solta o manípulo do travão do motor.

- Antes de puxar o produto para trás, afaste a alavanca de direção da barra de direção e empurre o produto para a frente cerca de 10 cm para desengatar totalmente a transmissão.

Desligar o produto

- Para parar apenas a transmissão, solte o manípulo de direção (LC 151S, LB 256SP) ou a alavanca de direção (LB 251S).
- Para parar o motor, solte o manípulo de travão do motor.

Utilizar o produto com o coletor de relva (LC 151, LC 151S)



ATENÇÃO: Não utilize o produto sem um coletor de relva instalado ou sem a cobertura traseira fechada. Podem ser projetados objetos que possam ferir o utilizador.

1. Levante a cobertura traseira e retire o tampão de trituração, caso esteja instalado. (Fig. 29)
2. Monte o coletor de relva; consulte *Montar o coletor de relva (LC 151, LC 151S) na página 292*.
3. Coloque o coletor de relva no suporte.
4. Solte a cobertura traseira e coloque-a na parte superior da estrutura do saco de relva. (Fig. 30)

Colocar o produto em modo de trituração (LC 151, LC 151S)

Certifique-se de que o motor está desligado antes de colocar o produto em modo de trituração.

1. Levante a cobertura traseira e retire o coletor de relva, caso esteja instalado.
2. Coloque o tampão de trituração no canal de descarga. (Fig. 31)
3. Feche a cobertura traseira e certifique-se de que está bem fechada contra o tampão de trituração.
4. Substitua a lâmina pela lâmina de trituração incluída no kit de trituração. Consulte *Para substituir a lâmina na página 296*.

Colocar o produto em modo de descarga lateral

1. Levante a cobertura traseira e retire o saco de relva, caso esteja instalado.
2. Feche a cobertura traseira e certifique-se de que está bem fechada contra o produto.
3. Levante o bloqueio de descarga. (Fig. 32)
4. Abra a cobertura de descarga lateral e instale o defletor de descarga lateral nos pinos de apoio. (Fig. 33)
5. Permita que a cobertura de descarga lateral se feche contra o defletor de descarga lateral. Antes de utilizar o produto, certifique-se de que o defletor de descarga lateral está bem posicionado.

Esvaziar o coletor de relva



CUIDADO: Levante o coletor de relva quando o deslocar para evitar o desgaste.

1. Levante o coletor de relva com o punho da estrutura.
2. Utilize o punho da estrutura e o punho do saco quando esvaziar o coletor de relva. (Fig. 34)

Para obter bons resultados

- Utilize sempre uma lâmina bem afiada. Uma lâmina romba produz um resultado irregular e a superfície de corte da relva fica amarela. Uma lâmina afiada também gasta menos energia que uma lâmina romba.
- Não corte mais do que $\frac{1}{3}$ do comprimento da relva. Utilize a maior altura de corte ao começar a cortar a relva. Examine o resultado e reduza a altura de corte para um nível aplicável. Caso a relva esteja muito comprida, avance lentamente e corte duas vezes, se necessário.
- Corte em diferentes direções de cada vez, para evitar a formação de linhas no relvado.
- Levante a cobertura traseira e retire o coletor de relva.
- Se instalados, retire o tampão de trituração e a lâmina de trituração.
- Feche a cobertura traseira antes de utilizar o produto. Quando utilizar o produto, a relva cortada vai para baixo da cobertura traseira.

Manutenção

Introdução



ATENÇÃO: Antes de efetuar a manutenção, tem de ler e compreender o capítulo sobre segurança.

É necessária formação especial para realizar qualquer tarefa de manutenção ou reparação. Garantimos a disponibilidade de reparações e manutenção profissionais. Se o seu revendedor não for uma oficina autorizada, pergunte-lhes onde se situa a oficina autorizada mais próxima.

Esquema de manutenção



CUIDADO: Quando inclina o produto, certifique-se de que o filtro de ar está virado para cima e não contra o solo. Risco de danos no motor.

Os intervalos de manutenção são calculados a partir da utilização diária do produto. Os intervalos são alterados se o produto não for utilizado diariamente.

Relativamente às tarefas de manutenção identificadas com *, consulte as instruções em *Dispositivos de segurança no produto na página 290*.

Manutenção	Diariamente	Mensalmente	A cada estação
Efetuar uma inspeção geral	X		
Examinar o nível do óleo	X		
Substituir o óleo (pela primeira vez após 5 horas de utilização e, posteriormente, após cada 50 horas de utilização) ¹³⁴			X
Limpar o produto	X		
Examinar o equipamento de corte	X		
Examinar a cobertura de corte*	X		
Examinar o punho do travão do motor *	X		
Examinar o silenciador *		X	
Examine a vela de ignição. Se for necessário, limpe ou substitua a vela de ignição			X
Examinar o filtro de ar	X		
Limpe o filtro de ar ¹³⁵		X	
Substitua o filtro de ar			X
Examinar o sistema de combustível			X
Limpe as aletas de arrefecimento do cilindro		X	
Examine e ajuste o cabo da embraiagem (LC 151S, LB 251S, LB 256SP)			X
Limpe por baixo da cobertura da transmissão (LB 251S)			X

Para efetuar uma inspeção geral

- Certifique-se de que todas as porcas e os parafusos do produto estão apertados corretamente.

Para limpar o produto externamente

- Utilize uma escova para remover folhas, relva e sujidade.
- Certifique-se de que a entrada de ar na parte superior do motor não está bloqueada.
- Não utilize uma máquina de lavar à pressão para limpar o produto.
- Se utilizar água para limpar o produto, não verta água diretamente sobre o motor.

Para limpar a superfície interior da cobertura de corte

1. Esvazie o depósito de combustível.

2. Incline o produto. Certifique-se de que a vela de ignição aponta para cima.



CUIDADO: Se o produto for colocado com o filtro de ar para baixo, o motor pode sofrer danos.

3. Utilize uma mangueira para enxaguar a superfície interna da cobertura de corte com água.

Limpar por baixo da cobertura da transmissão (LB 251S)

1. Esvazie o depósito de combustível.
2. Incline o produto. Certifique-se de que a vela de ignição aponta para cima.



CUIDADO: Se o produto for colocado com o filtro de ar para baixo, o motor pode sofrer danos.

¹³⁴ Se o produto for utilizado com carga pesada ou em temperaturas ambiente elevadas, substitua o óleo de motor a cada 25 horas.

¹³⁵ Limpe com mais frequência em ambientes poeirentos ou quando existirem resíduos aéreos. Substitua o filtro de ar, se estiver muito sujo.

3. Retire os 7 parafusos. (Fig. 35)
4. Retire a cobertura da transmissão.
5. Limpe a superfície com uma escova.



CUIDADO: A presença de água ou contaminação por baixo da cobertura da transmissão pode causar danos na transmissão.

6. Instale a cobertura da transmissão e os 7 parafusos.

Para examinar o equipamento de corte



ATENÇÃO: Para evitar o arranque acidental retire o cabo de ignição da vela de ignição.



ATENÇÃO: Use luvas de proteção quando realizar a manutenção do equipamento de corte. A lâmina é muito afiada e pode facilmente provocar cortes.

1. Examine se o equipamento de corte está danificado ou se apresenta fissuras. Substitua sempre um equipamento de corte danificado.
2. Olhe para a lâmina para verificar se está danificada ou romba.

Nota: É necessário estabilizar a lâmina depois de ser afiada. Afie, substitua e estabilize a lâmina numa oficina especializada. Se atingir um obstáculo que faça o produto parar, substitua a lâmina danificada. Um centro de assistência deve avaliar se a lâmina pode ser afiada ou se tem de ser substituída.

Para substituir a lâmina

1. Bloquee a lâmina com um bloco de madeira. (Fig. 36)
2. Remova o parafuso da lâmina.
3. Retire a lâmina.
4. Examine o suporte e o parafuso da lâmina para verificar se existem danos.
5. Examine o eixo do motor para se certificar de que não se encontra dobrado.
6. Quando colocar a lâmina nova, aponte as extremidades inclinadas da lâmina na direção da cobertura de corte. (Fig. 37)
7. Certifique-se de que a lâmina está alinhada com a parte central do eixo do motor.
8. Bloquee a lâmina com um bloco de madeira. Prenda a arruela de pressão e aperte o parafuso e a arruela com um binário de 43 – 47 Nm. (Fig. 38)
9. Faça rodar a lâmina com a mão de modo a assegurar-se de que roda livremente.



ATENÇÃO: Use luvas resistentes. A lâmina é muito afiada e pode facilmente provocar cortes.

10. Ligue o produto para testar a lâmina. Se a lâmina não estiver corretamente ligada, o produto vibra ou o resultado de corte não é satisfatório.

Para verificar o nível do óleo



CUIDADO: Um nível de óleo demasiado baixo causa danos no motor. Verifique o nível do óleo antes de ligar o produto.

1. Coloque o produto num piso nivelado.
2. Remova a tampa do depósito de óleo juntamente com a vareta de nível.
3. Limpe o óleo da vareta de nível.
4. Coloque a vareta de nível completamente dentro do depósito de óleo para obter uma imagem correta do nível do óleo.
5. Remova a vareta de nível.
6. Examine o nível do óleo na vareta de nível.
7. Se o nível do óleo estiver baixo, encha com óleo de motor e verifique novamente o nível do óleo.

Substituir o óleo de motor



ATENÇÃO: O óleo de motor está muito quente imediatamente após desligar o motor. Deixe o motor arrefecer antes de drenar o óleo de motor. Se derramar óleo de motor na pele, limpe com água e sabão.

(Fig. 39)

1. Utilize o produto até esvaziar o depósito de combustível.
2. Remova o cabo de ignição da vela de ignição.
3. Retire a tampa do depósito de óleo.
4. Coloque um recipiente por baixo do produto para recolher o óleo de motor.
5. Incline o produto para drenar o óleo de motor do depósito de óleo.
6. Encha com óleo de motor novo do tipo recomendado em *Especificações técnicas na página 300*.
7. Verifique o nível do óleo. Consulte *Para verificar o nível do óleo na página 296*.

Examinar a vela de ignição



CUIDADO: utilize sempre o tipo de vela de ignição recomendado. Um tipo de vela de ignição incorreto pode provocar danos no produto.

- Examine a vela de ignição para verificar se o motor apresenta uma potência reduzida ou dificuldades de arranque, ou se não funciona corretamente ao ralenti.
- Para diminuir o risco de materiais indesejados nos elétrodos da vela de ignição, siga estas instruções:
 - a) Assegure-se de que a rotação em vazio está corretamente regulada.
 - b) Certifique-se de que a mistura de combustível está correta.
 - c) Certifique-se de que o filtro de ar está limpo.
- Se a vela de ignição estiver suja, limpe-a e certifique-se de que a distância entre os elétrodos está correta; consulte *Especificações técnicas na página 300*. (Fig. 40)
- Se for necessário, substitua a vela de ignição.

Filtro de ar

Um filtro de ar sujo pode provocar danos no motor ou fazer com que este não funcione corretamente. Realize a manutenção do filtro de ar mais frequentemente em ambientes poeirentos. Consulte a secção *Manutenção na página 294* para obter informações sobre quando substituir o filtro de ar.

Nota: Substitua sempre um filtro de ar danificado.

Retirar e instalar o filtro de ar



ATENÇÃO: Utilize luvas de protecção.

1. Pressione os grampos na cobertura do filtro de ar.
2. Retire cuidadosamente a cobertura do filtro de ar (A) do motor.
3. Retire o filtro de ar (B). (Fig. 41)
4. Examine o filtro de ar quanto à existência de danos. Substitua um filtro de ar danificado.
5. Limpar e examinar o filtro de ar. Consulte *Para limpar o filtro de ar na página 297*.
6. Instale na sequência inversa.

Para limpar o filtro de ar

Um filtro de ar sujo pode provocar danos no motor ou fazer com que este não funcione corretamente. Realize a manutenção do filtro de ar mais frequentemente em ambientes poeirentos.

Consulte a secção *Manutenção na página 294* para obter informações sobre quando substituir o filtro de ar.

1. Retire a cobertura do filtro de ar e o filtro.
2. Limpe o filtro, batendo com o mesmo sobre uma superfície plana. Não utilize solventes com petróleo, querosene ou ar comprimido para limpar o filtro.

Nota: Não é possível limpar completamente os filtros de ar em funcionamento durante muito tempo.

Substitua o filtro de ar em intervalos regulares. Substitua sempre os filtros de ar danificados.

3. Ao montar o filtro de ar, certifique-se de que este fica totalmente encostado ao suporte do filtro.

Verificar o defletor de descarga lateral

O defletor de descarga lateral está fixo à abertura de descarga lateral do produto. Isto reduz o risco de projeção de objetos na direção da posição de corte do utilizador.

1. Certifique-se de que o defletor de descarga lateral não está danificado.
2. Examine o defletor de descarga lateral. Certifique-se de que não são detetados defeitos, como fissuras ou molas partidas que forcem o fecho da porta.
3. Substitua o defletor de descarga lateral ou as molas se estas estiverem danificadas.

Para examinar o sistema de combustível

- Examine a tampa do depósito de combustível e o vedante da tampa do depósito de combustível para se certificar de que não existem danos.
- Examine a mangueira de combustível para se certificar de que não existem fugas. Se a mangueira de combustível estiver danificada, deverá ser substituída por uma oficina autorizada.

Ajustar o cabo da embraiagem (LC 151S, LB 251S, LB 256SP)

Nas situações que se seguem, é necessário diminuir o comprimento do cabo da embraiagem:

- A transmissão das rodas não é acionada quando puxa o manípulo de direção ou a alavanca de controlo da velocidade.
- O produto desloca-se lentamente quando a transmissão das rodas é acionada.

Nas situações que se seguem, é necessário aumentar o comprimento do cabo da embraiagem:

- O produto desloca-se quando a transmissão das rodas não é acionada.
- Ajuste o cabo da embraiagem.
 - a) Para diminuir o comprimento do cabo da embraiagem, rode o parafuso de ajuste para a esquerda.
 - b) Para aumentar o comprimento do cabo da embraiagem, rode o parafuso de ajuste para a direita. (Fig. 42)

Se continuar insatisfeito com a condução do produto depois do ajuste, contacte o seu revendedor com assistência técnica.

Resolução de problemas no motor

Problema	Causa possível	Solução
O motor não arranca.	O cabo de ignição não está ligado corretamente.	Ligue o cabo de ignição à vela de ignição.
	O depósito de combustível está vazio.	Encha o depósito de combustível com o tipo de combustível correto.
	O combustível é antigo.	Drene o depósito de combustível e o carburador. Reabasteça com gasolina nova.
	Existe sujidade no carburador ou na linha de combustível.	Limpe o carburador e/ou o tubo de combustível.
	A vela de ignição está defeituosa.	Ajuste a distância entre os elétrodos, limpe ou substitua a vela de ignição.
	Existe combustível na vela de ignição.	Limpe a vela de ignição.
O motor não para.	O mecanismo de paragem está avariado.	Desligue o cabo de ignição da vela de ignição. Solicite a reparação do produto numa oficina autorizada.
O motor não funciona corretamente.	O cabo de ignição não está ligado corretamente.	Ligue o cabo de ignição à vela de ignição.
	Existe sujidade no tubo de combustível ou o período de utilização do combustível expirou.	Limpe a linha de combustível. Encha o depósito de combustível com combustível novo do tipo correto.
	Existe obstrução na tampa do depósito de combustível.	Limpe a tampa do depósito de combustível.
	Existe água ou sujidade no sistema de combustível.	Drene o depósito de combustível. Encha o depósito de combustível com combustível novo do tipo correto.
	O filtro de ar está sujo.	Limpe o filtro de ar.
	O carburador tem de ser ajustado.	Solicite o ajuste do carburador num revendedor de assistência técnica autorizado.
O motor fica demasiado quente.	O nível de óleo do motor é demasiado baixo.	Abasteça o óleo de motor.
	O fluxo de ar não é suficiente.	Limpe o filtro de ar e o alojamento do filtro de ar.
	O carburador tem de ser ajustado.	Solicite o ajuste do carburador num revendedor de assistência técnica autorizado.
Existe uma falha de ignição no motor quando este funciona a alta velocidade.	A distância entre os elétrodos na vela de ignição é demasiado pequena.	Ajuste a distância entre os elétrodos.

Problema	Causa possível	Solução
Ruídos involuntários do motor com carga normal.	Tipo incorreto de gasolina.	Drene o depósito de combustível e o carburador. Reabasteça com gasolina nova. Consulte <i>Encher o depósito de combustível na página 293</i> . Se o problema persistir, contacte o seu revendedor de assistência local.
O motor não funciona corretamente ao ralenti.	A vela de ignição está suja, apresenta defeito ou a distância entre os elétrodos é demasiado grande.	Ajuste a distância entre os elétrodos ou substitua a vela de ignição.
	O carburador tem de ser ajustado.	Ajuste o carburador.
	O filtro de ar está sujo.	Limpe o filtro de ar.

Transporte, armazenamento e eliminação

Transporte e armazenamento

- Para o transporte e armazenamento do produto e do combustível, certifique-se de que não existem fugas ou fumos. Faíscas ou chamas abertas, por exemplo de dispositivos elétricos ou mesmo caldeiras, podem causar um incêndio.
- Utilize recipientes aprovados para o transporte e armazenamento de combustível.
- Esvazie o depósito de combustível antes de armazenar o produto durante um longo período de tempo. Elimine o combustível numa localização de eliminação aplicável
- Fixe o produto de forma segura durante o transporte para evitar danos e acidentes.
- Mantenha o produto numa área trancada para impedir o acesso a crianças ou pessoas que não disponham de aprovação.
- Mantenha o produto num local seco e sem gelo.

Eliminação

- Respeite os requisitos de reciclagem locais e os regulamentos aplicáveis.
- Elimine todos os produtos químicos, como óleo de motor ou combustível, num centro de assistência ou numa localização de eliminação aplicável.
- Quando o produto deixar de ser utilizado, envie-o para um revendedor Husqvarna ou elimine-o numa localização de reciclagem.

Especificações técnicas

Especificações técnicas

	LC 151	LC 151S	LB 251S	LB 256SP
Motor				
Marca	Husqvarna	Husqvarna	Husqvarna	Husqvarna
Tipo de motor	Monocilíndrico, 4 tempos, refrigeração a ar forçado, OHV	Monocilíndrico, 4 tempos, refrigeração a ar forçado, OHV	Monocilíndrico, 4 tempos, refrigeração a ar forçado, OHV	Monocilíndrico, 4 tempos, refrigeração a ar forçado, OHV
Deslocamento, cm ³	166	166	166	166
Velocidade, rpm	2800	2800	2800	2800
Potência nominal do motor, kW ¹³⁶	2,7	2,7	2,7	2,7
Sistema de ignição				
Vela de ignição	Husqvarna HQT-7	Husqvarna HQT-7	Husqvarna HQT-7	Husqvarna HQT-7
Distância entre os eletrodos, mm	0,7-0,8	0,7-0,8	0,7-0,8	0,7-0,8
Sistema de lubrificação e combustível				
Tipo de lubrificação do motor	Salpico	Salpico	Salpico	Salpico
Capacidade do depósito de combustível, litros	1,0	1,0	1,0	1,0
Volume do depósito de óleo, litros	0,5	0,5	0,5	0,5
Óleo do motor ¹³⁷	Husqvarna SAE 30	Husqvarna SAE 30	Husqvarna SAE 30	HusqvarnaSAE 30
Peso				
Com depósitos vazios, kg	31,1	32,6	32,0	33,1
Emissões de ruído¹³⁸				
Nível de potência sonora, medido, dB(A)	96	96	95	97
Nível de potência sonora, garantido L _{WA} dB (A)	98	98	96	98

¹³⁶ A potência nominal do motor indicado é a potência líquida média (a um valor de rpm especificado) de um motor de produção típico do modelo de motor avaliado de acordo com a norma J1349/ISO1585 da SAE. Motores produzidos em série poderão divergir deste valor. A potência real do motor instalado no produto final dependerá da velocidade de operação, das condições ambientais e de outros parâmetros.

¹³⁷ Se o óleo SAE-30 for utilizado a temperaturas inferiores a +5 ° C, existe o risco de não lubrificar suficientemente o motor. Isto pode provocar danos no motor. Consulte a secção *Substituir o óleo de motor na página 296* para saber qual o óleo correto para temperaturas baixas.

¹³⁸ Emissões de ruído para as imediações, medidas sob forma de potência sonora (L_{WA}) em conformidade com a diretiva da CE 2000/14/CE.

	LC 151	LC 151S	LB 251S	LB 256SP
Níveis acústicos ¹³⁹				
Nível de pressão sonora ao nível do ouvido do operador, dB(A)	86	86	82	86
Níveis de vibração ¹⁴⁰				
Vibrações na barra de direção, m/s ²	8,5	8,5	4,7	7,5
Equipamento de corte				
Altura de corte, mm	25-75	25-75	25-75	25-75
Largura de corte, mm	510	510	510	560
Sistema de corte	Recolha/Bio-Clip®/descarga lateral	Recolha/Bio-Clip®/descarga lateral	BioClip®/descarga lateral	BioClip®/descarga lateral
Lâmina - padrão	Recolha 598562601	Recolha 598562601	Trituração 597683901	Trituração 598563601
Lâmina - acessório	Trituração 597683901	Trituração 597683901	–	–
Capacidade do coletor de relva, litros	65	65	–	–
Conduzir				
Velocidade de autodeslocação, km/h	–	3,6	4,0	3,6

¹³⁹ Os dados comunicados relativamente ao nível de pressão de ruído têm uma dispersão estatística típica (desvio padrão) de 1,2 dB (A).

¹⁴⁰ Os dados comunicados relativamente ao nível de vibração têm uma dispersão estatística típica (desvio padrão) de 0,2 m/s².

Declaração CE de conformidade

Declaração CE de conformidade

A **Husqvarna AB**, SE-561 82 Huskvarna, Suécia, tel: +46-36-146500, declara que o **corta-relva Husqvarna LC 151, LC 151S, LB 251S, LB 256SP** de 2020 e dos anos posteriores cumpre as disposições constantes na DIRETIVA DO CONSELHO:

- de 8 de junho de 2011 relativa à "restrição do uso de determinadas substâncias perigosas" **2011/65/UE**
- de 17 de maio de 2006 "referente a máquinas" **2006/42/CE**
- de 26 de fevereiro de 2014 "referente à compatibilidade eletromagnética" **2014/30/UE**
- de 8 de maio de 2000 "referente a emissões de ruído para o ambiente" **2000/14/CE**

Para mais informações relativas a emissões de ruído, consulte as Especificações técnicas.

Foram respeitadas as seguintes normas:

EN ISO 5395-1:2013, EN ISO 5395-1:2013/A1, EN ISO 5395-2:2013, EN ISO 5395-2:2013/A1:2016, EN ISO 5395-2:2013/A2:2017, EN ISO 14982:2009

Salvo indicação em contrário, as normas apresentadas acima são as versões publicadas mais recentes.

Entidade competente (LC 151, LC 151S, LB 256SP): **0036, TÜV SÜD Industrie Service GmbH, Westendstrasse 199, 80686 München, Germany** avaliou a conformidade de acordo com o Anexo VI da Diretiva 2000/14/CE.

Entidade competente (LB 251S): **0404, RISE SMP Svensk Maskinprovning AB, Box 7035, SE-750 07 Uppsala, Sweden** avaliou a conformidade de acordo com o Anexo VI da Diretiva 2000/14/CE.

Huskvarna, 2020-10-20



Claes Losdal, Chefe de Desenvolvimento/Produtos de Jardinagem (representante autorizado da Husqvarna AB e responsável pela documentação técnica)

CUPRINS

Introducere.....	303	Depanarea motorului.....	313
Siguranță.....	304	Transportul, depozitarea și eliminarea.....	314
Asamblarea.....	307	Date tehnice.....	315
Funcționarea.....	307	Declarație de conformitate CE.....	317
Întreținerea.....	309		

Introducere

Descrierea produsului

Produsul este o mașină rotativă pentru tuns gazonul controlată de un operator-pieton. Pentru LC 151, LC 151S, montați colectorul de iarbă ca să colectați iarbă. Atașați deflectorul de descărcare laterală pentru descărcarea laterală a ierbii. Pentru LC 151, LC 151S,

montați un kit de mărunțire ca să tăiați iarbă și să o transformați în îngrășământ.

Domeniul de utilizare

Utilizați produsul pentru a tăia iarbă. Nu utilizați produsul pentru alte sarcini.

Prezentarea generală a produsului

(Fig. 1)

1. Mâner
2. Manetă frână de motor
3. Manetă de transmisie (LC 151S, LB 256SP)
4. Pârghie de deplasare (LB 251S)
5. Capac posterior (LC 151, LC 151S)
6. Colector de iarbă (LC 151, LC 151S)
7. Butoane de setare a înălțimii
8. Pârghie pentru înălțimea de tăiere
9. Bușon de ulei și jojă
10. Capac de descărcare laterală
11. Amortizor de zgomot
12. Bujie
13. Carburator
14. Bușon rezervor de carburant
15. Simboluri
16. Capac de tăiere
17. Filtru de aer
18. Deflector lateral
19. Kit de mărunțire (accesoriu pentru LC 151, LC 151S)
20. Mâner pentru șnurul de pornire
21. Manualul operatorului

(Fig. 4) Feriți-vă de obiectele proiectate sau care ricoșează.

(Fig. 5) Țineți persoanele și animalele la o distanță sigură de zona de lucru.

(Fig. 6) Avertisment: Feriți-vă mâinile și picioarele de cuțitul rotativ.

(Fig. 7) Avertisment: Feriți-vă mâinile și picioarele de piesele rotative.

(Fig. 8) Opriți motorul și scoateți cablul de alimentare a aprinderii înainte de a efectua lucrări de întreținere sau reparații.

(Fig. 9) Acest produs este în conformitate cu directivele UE aplicabile.

(Fig. 10) Emisii de zgomot în mediu conform Directivei Comunității Europene. Nivelul de emisii al produsului este specificat în capitolul Date tehnice și pe etichetă.

(Fig. 11) Pericol de incendiu.

(Fig. 12) Nu inhalați gazele de eșapament. Gazele de eșapament ale motorului conțin monoxid de carbon, care este un gaz inodor, toxic și deosebit de periculos. Nu porniți motorul în interior sau în spații închise.

(Fig. 13) Suprafață fierbinte.

(Fig. 14) Umpleți motorul cu ulei înainte de a porni produsul.

Simbolurile de pe produs

(Fig. 2) **AVERTISMENT!** Acționați cu grijă și utilizați corect produsul. Acest produs poate cauza vătămări corporale grave sau decesul operatorului sau al altor persoane.

(Fig. 3) Citiți cu atenție manualul operatorului și asigurați-vă că înțelegeți instrucțiunile înainte de utilizare.

Nota: Alte simboluri/autocolante de pe produs se referă la cerințele de certificare pentru unele zone comerciale.

Răspunderea pentru produs

Conform prevederilor legislației privind răspunderea pentru produs, nu ne asumăm răspunderea pentru daunele cauzate de produsul nostru dacă:

- produsul este reparat necorespunzător;
- produsul este reparat cu piese care nu provin de la producător sau care nu sunt aprobate de acesta;

- produsul are un accesoriu care nu provine de la producător sau care nu este aprobat de acesta;
- produsul nu este reparat la un centru de service omologat sau de o autoritate omologată;

Emisiile de Euro V



AVERTISMENT: În urma modificării neautorizate a motorului, este anulată aprobarea de tip UE pentru acest produs.

Siguranță

Definiții privind siguranța

Avertismentele, atenționările și notele sunt utilizate pentru a desemna părți foarte importante din manual.



AVERTISMENT: Se utilizează dacă există risc de vătămare sau de deces pentru operator sau pentru trecători, în cazul în care instrucțiunile din manual nu sunt respectate.



ATENȚIE: Se utilizează dacă există un risc de deteriorare a produsului, a altor materiale sau a zonelor învecinate, dacă instrucțiunile din manual nu sunt respectate.

Nota: Se utilizează pentru a furniza mai multe informații care sunt necesare într-o situație dată.

Instrucțiuni generale de siguranță



AVERTISMENT: Înainte de a utiliza produsul, citiți instrucțiunile de avertizare de mai jos.

- Acest produs este periculos dacă este utilizat incorect sau dacă nu sunteți atent. Nerespectarea instrucțiunilor de siguranță poate cauza vătămări corporale sau decesul.
- În timpul funcționării, acest produs produce un câmp electromagnetic. În anumite condiții, acest câmp poate interfera cu implanturile medicale active sau pasive. Pentru a reduce riscul de vătămări corporale grave sau mortale, recomandăm persoanelor cu implanturi medicale să consulte medicul și producătorul implantului medical înainte de a utiliza acest produs.
- Procedați întotdeauna cu atenție și folosiți-vă judecata. Dacă nu sunteți sigur cum să utilizați produsul într-o situație specială, opriți-l și adresați-vă distribuitorului Husqvarna înainte de a continua.
- Rețineți că operatorul poartă responsabilitatea privind orice accidente care implică alte persoane sau bunurile acestora.

- Păstrați produsul curat. Asigurați-vă că puteți citi clar semnele și etichetele.
- Nu permiteți niciunei persoane să utilizeze produsul dacă aceasta nu a citit și înțeles conținutul manualului operatorului.
- Nu permiteți copiilor să utilizeze produsul.
- Țineți copiii departe de zona de lucru. Un adult responsabil trebuie să fie prezent în permanență.
- Nu permiteți unei persoane care nu cunoaște instrucțiunile să utilizeze produsul.
- Monitorizați permanent o persoană cu capacități fizice sau mentale reduse care utilizează produsul. Un adult responsabil trebuie să fie prezent în permanență.
- Nu utilizați produsul atunci când sunteți obosit, bolnav sau dacă ați consumat alcool, droguri sau ați luat medicamente. Acestea vă afectează negativ acuitatea vizuală, atenția, coordonarea și judecata.
- Nu utilizați produsul dacă este defect.
- Nu modificați acest produs și nu îl utilizați dacă este posibil să fi fost modificat de către alte persoane.
- Nu modificați setarea controlului turajului motorului.

Siguranța zonei de lucru



AVERTISMENT: Înainte de a utiliza produsul, citiți instrucțiunile de avertizare de mai jos.

- Înainte de a utiliza produsul, îndepărtați obiectele precum crengile, rămurelele și pietrele din zona de lucru.
- Obiectele care se lovesc de echipamentul de tăiere pot fi aruncate, provocând vătămări corporale și pagube materiale. Țineți trecătorii și animalele la o distanță sigură de produs.
- Nu utilizați produsul pe vreme rea, de exemplu pe ceață, ploaie, vânt puternic, la temperaturi exterioare foarte scăzute și atunci când există riscul de descărcări electrice. Utilizarea produsului pe vreme nefavorabilă sau pe teren umed sau inundat este obositoare. Vremea nefavorabilă poate conduce la apariția de situații periculoase, de exemplu suprafețe alunecoase.

- Verificați dacă există persoane, obiecte și situații care pot împiedica funcționarea în siguranță a produsului.
- Atenție la obstacole, precum rădăcini, pietre, ramuri, gropi și șanțuri. În iarba înaltă se pot ascunde obstacole.
- Tunderea ierbii pe pante poate fi periculoasă. Nu utilizați produsul pe pante cu înclinație de mai mare de 15°.
- Utilizați produsul de-a curmezișul pantei. Nu efectuați mișcări în sus și în jos.
- Procedați cu atenție atunci când vă apropiați de colțuri ascunse și de obiecte care blochează vederea.

Siguranța în lucru



AVERTISMENT: Înainte de a utiliza produsul, citiți instrucțiunile de avertizare de mai jos.

- Utilizați acest produs numai pentru tunderea gazonului. Nu este permisă utilizarea acestui produs pentru alte lucrări.
- Utilizați echipamentul personal de protecție. Consultați *Echipament de protecție personală la pagina 305*.
- Asigurați-vă că știți cum să opriți rapid motorul în caz de urgență.
- Nu porniți niciodată motorul într-un spațiu închis sau lângă materiale inflamabile. Gazele de eșapament de la motor sunt fierbinți și pot conține scânteie care pot cauza un incendiu.
- Nu utilizați produsul decât dacă au fost montate corect cuțitul și toate capacele. Un cuțit montat incorect se poate slăbi, provocând vătămări corporale.
- Asigurați-vă că lama nu lovește obiecte, precum pietre și rădăcini. Acestea pot deteriora cuțitul și pot îndoii arborele motorului. Un ax îndoit poate genera vibrații puternice și prezintă un risc foarte ridicat de slăbire a cuțitului.
- Dacă lama lovește un obiect sau dacă observați vibrații, opriți produsul imediat. Decuplați cablul de alimentare a aprinderii de la bujie. Examinați dacă produsul este deteriorat. Reparați defecțiunile sau solicitați unui agent de service autorizat să le repare.
- Nu fixați niciodată de mâner maneta frânei de motor, în mod permanent, atunci când motorul este pornit.
- Poziționați produsul pe o suprafață stabilă, plană și porniți-l. Asigurați-vă că lama nu atinge solul sau alte obiecte.
- Stați întotdeauna în spatele produsului atunci când îl utilizați.
- Mențineți toate roțile pe sol și țineți ambele mâini pe mâner când utilizați produsul. Feriți-vă mâinile și picioarele de cuțitele rotative.
- Nu înclinați produsul când motorul este pornit.
- Fiți atent atunci când trageți produsul în spate.

- Nu ridicați niciodată produsul când motorul este pornit. Dacă trebuie să ridicați produsul, mai întâi opriți motorul și deconectați cablul de alimentare a aprinderii de la bujie.
- Nu mergeți cu spatele în timp ce utilizați produsul.
- Opriți motorul când traversați zone fără iarbă, de exemplu alei din pietriș, piatră și asfalt.
- Nu alergați cu produsul când motorul este pornit. Întotdeauna mergeți în timp ce utilizați produsul.
- Opriți motorul înainte de a schimba înălțimea de tăiere. Nu efectuați niciodată reglări cu motorul pornit.
- Nu lăsați niciodată produsul să iasă din câmpul vizual cu motorul pornit. Opriți motorul și asigurați-vă că echipamentul de tăiere nu se rotește.

Instrucțiuni de siguranță pentru utilizare

Echipament de protecție personală



AVERTISMENT: Înainte de a utiliza produsul, citiți instrucțiunile de avertizare de mai jos.

- Echipamentele de protecție personală nu pot elimina complet riscul de rănire, însă pot reduce gravitatea rănilor în cazul unui accident. Distribuitorul vă poate ajuta să alegeți echipamentul corect.
- Utilizați echipament de protecție a auzului dacă nivelul de zgomot este mai mare de 85 dB.
- Utilizați întotdeauna ghete sau pantofi pentru regim greu de lucru, cu rezistență la alunecare. Nu folosiți pantofi decupați și nu operați produsul desculți.
- Utilizați pantaloni lungi, groși.
- Purtați mănuși de protecție atunci când este necesar, de exemplu atunci când conectați, inspectați sau curățați echipamentul de tăiere.

Dispozitivele de siguranță de pe produs



AVERTISMENT: Înainte de a utiliza produsul, citiți instrucțiunile de avertizare de mai jos.

- Nu utilizați un produs cu dispozitive de siguranță deteriorate.
- Verificați regulat dispozitivele de siguranță. Dacă dispozitivele de siguranță sunt defecte, contactați agentul de service Husqvarna.

Verificarea capacului de tăiere

Capacul de tăiere reduce vibrațiile în produs și scade riscul de rănire de la cuțit.

- Examinați capacul de tăiere și asigurați-vă că nu există defecte, precum fisuri.

Verificarea manetei frânei de motor

Maneta frânei de motor oprește motorul. Când maneta frânei de motor este eliberată, motorul se oprește.

- Porniți motorul, apoi eliberați maneta frânei de motor. Dacă motorul nu se oprește în 3 secunde, solicitați unui agent de service autorizat Husqvarna să regleze frâna de motor. (Fig. 15)

Verificarea capacului posterior

Deflectorul posterior reduce riscul ejectării obiectelor în direcția operatorului.

- Asigurați-vă că capacul posterior nu este deteriorat.
- Asigurați-vă că arcurile care închid capacul posterior nu sunt deteriorate.
- Înlocuiți arcurile deteriorate și componentele deteriorate.
- Asigurați-vă că capacul posterior se poate deplasa lin pe balamale.

Amortizor de zgomot

Amortizorul de zgomot este proiectat pentru a reduce la minimum nivelul de zgomot și a dirija gazele de eșapament departe de utilizator.

Nu utilizați produsul dacă amortizorul de zgomot nu este instalat sau este defect. Un amortizor de zgomot defect determină creșterea nivelului de zgomot și a pericolului de incendiu.



AVERTISMENT: Amortizorul de zgomot atinge temperaturi înalte în timpul utilizării, imediat după oprire și atunci când motorul funcționează la turajia de mers în gol. Procedați cu atenție în apropierea materialelor și/sau gazelor inflamabile pentru a preveni incendiile.

Pentru a verifica amortizorul de zgomot

- Verificați regulat amortizorul de zgomot pentru a vă asigura că este montat corect și nu este deteriorat.

Reguli de siguranță referitoare la carburant



AVERTISMENT: Înainte de a utiliza produsul, citiți instrucțiunile de avertizare de mai jos.

- Nu porniți produsul dacă pe acesta se află carburant sau ulei pentru motor. Îndepărtați carburantul/uleiul nedorit și lăsați produsul să se usuce.
- Dacă vărsați carburantul pe îmbrăcăminte, schimbați imediat hainele.
- Nu vărsați carburantul pe corp - poate provoca vătămări corporale. Dacă vărsați carburant pe corp, utilizați apă și săpun pentru a elimina carburantul.
- Nu porniți produsul dacă motorul prezintă scurgeri. Examinați cu regularitate motorul, pentru a identifica eventuale scurgeri.

- Manipulați cu atenție carburantul. Carburantul este inflamabil, vaporii sunt explozivi și pot cauza vătămări corporale sau deces.
- Nu respirați vaporii de carburant, se pot produce vătămări corporale. Asigurați-vă că fluxul de aer este suficient.
- Nu fumați în apropierea carburantului sau a motorului.
- Nu amplasați obiecte calde în apropierea carburantului sau a motorului.
- Nu adăugați carburant atunci când motorul este pornit.
- Asigurați-vă că motorul este rece înainte de a realimenta.
- Înainte de a realimenta, deschideți lent capacul rezervorului de carburant și eliberați cu atenție presiunea.
- Nu adăugați carburant la motor într-o zonă interioară. Un flux de aer insuficient poate cauza vătămare corporală sau deces din cauza asfrierii sau a monoxidului de carbon.
- Strângeți până la capăt capacul rezervorului de carburant. Dacă acesta nu este strâns, există pericol de incendiu.
- Înainte de pornire, mutați produsul la o distanță de minimum 3 m/10 ft față de poziția unde ați umplut rezervorul.
- Nu umpleți complet rezervorul de carburant. Căldura provoacă dilatarea carburantului. Păstrați un gol în partea de sus a rezervorului de carburant.

Instrucțiuni de siguranță pentru întreținere



AVERTISMENT: Înainte de a utiliza produsul, citiți instrucțiunile de avertizare de mai jos.

- Gazele de eșapament ale motorului conțin monoxid de carbon, care este un gaz inodor, toxic și deosebit de periculos. Nu porniți motorul în interior sau în spații închise.
- Înainte de a efectua întreținerea produsului, opriți motorul și deconectați cablul de alimentare a aprinderii de la bujie.
- Purtați mănuși de protecție când efectuați întreținerea echipamentului de tăiere. Cuțitul este foarte ascuțit și vă puteți tăia foarte ușor.
- Accesoriiile și modificările aduse produsului care nu sunt autorizate de către producător pot provoca vătămări corporale grave sau fatale. Nu modificați produsul. Utilizați întotdeauna numai accesorii omologate de producător.
- Dacă întreținerea nu se efectuează corect și periodic, crește pericolul de vătămări corporale și de deteriorare a produsului.
- Efectuați numai operațiile de întreținere care se regăsesc în acest manual al proprietarului. Toate

- celelalte operații de service trebuie efectuate de către un agent de service autorizat Husqvarna.
- Solicitați unui agent de service autorizat Husqvarna să efectueze în mod regulat operații de service la produs.

- Înlocuiți piesele deteriorate, uzate sau defecte.

Asamblarea

Introducere



AVERTISMENT: Înainte de a asambla produsul, trebuie să citiți și să înțelegeți capitolul privind siguranța.



AVERTISMENT: Demontați cablul de la bujie înainte de a asambla produsul.

Asamblarea mânerului

1. Împingeți șurubul (A) prin mâner (B), șaiba de plastic (C) și consola de susținere a mânerului (D). (Fig. 16)
2. Strângeți complet piulița (E).
3. Împingeți șurubul (F) prin șaibă (G) și consola de susținere a mânerului. (Fig. 17)
4. Strângeți complet rozeta (H).

Pentru a regla mânerul

1. Slăbiți butoanele inferioare.
2. Deplasați butoanele spre capătul inferior al canelurilor de pe partea stângă și de pe partea dreaptă a produsului. (Fig. 18)
3. Setări înălțimea mânerului într-una dintre cele 2 poziții disponibile.
4. Deplasați butoanele în sus în direcția mânerului, până când acestea se opresc și se aude un clic. (Fig. 19)

5. Strângeți rozetele până la capăt.

Așezați produsul în poziția pentru transport

1. Slăbiți butoanele inferioare.
2. Deplasați butoanele spre capătul inferior al canelurilor de pe partea stângă și de pe partea dreaptă a produsului. (Fig. 18)
3. Plijați mânerul în față. (Fig. 20)

Așezarea produsului în poziția de funcționare

1. Plijați mânerul în poziție verticală. (Fig. 21)
2. Deplasați butoanele în sus în direcția mânerului, până când acestea se opresc și se aude un clic. (Fig. 19)
3. Strângeți butoanele până la capăt.

Asamblarea colectorului de iarbă (LC 151, LC 151S)

1. Prindeți cadrul colectorului de iarbă de sacul de iarbă, cu partea rigidă a sacului în jos. Mențineți mânerul cadrului în afara părții de sus a sacului. (Fig. 22)
2. Fixați sacul de iarbă pe cadru cu ajutorul clemelor. (Fig. 23)

Funcționarea

Introducere



AVERTISMENT: Înainte de a utiliza produsul, trebuie să citiți și să înțelegeți capitolul privind siguranța.

Husqvarna Connect

Husqvarna Connect este o aplicație gratuită pentru dispozitivul dvs. mobil. Aplicația Husqvarna Connect vă oferă funcții extinse pentru produsul dvs. Husqvarna:

- Informații pe larg despre produs.
- Informații despre piese pentru produse și service și asistență pentru acestea.

Pentru a începe să utilizați Husqvarna Connect

1. Descărcați aplicația Husqvarna Connect pe dispozitivul dvs. mobil.
2. Înregistrați-vă în aplicația Husqvarna Connect.
3. Urmați pașii cu instrucțiuni din aplicația Husqvarna Connect pentru a conecta și înregistra produsul.

Înainte de a utiliza produsul

1. Citiți cu atenție manualul operatorului și asigurați-vă că înțelegeți instrucțiunile.
2. Examinați echipamentul de tăiere și asigurați-vă că este corect montat și reglat. Consultați *Pentru a examina echipamentul de tăiere la pagina 310*.

3. Umpleți rezervorul de carburant. Consultați *Alimentarea cu carburant la pagina 308*.
4. Umpleți rezervorul de ulei și verificați nivelul uleiului. Consultați *Pentru a verifica nivelul de ulei la pagina 311*.

Alimentarea cu carburant

Dacă este disponibilă, folosiți benzină alchilată/cu emisii scăzute. Dacă benzina alchilată/cu emisii scăzute nu este disponibilă, folosiți benzină fără plumb sau benzină cu plumb de bună calitate, cu o cifră octanică nu mai mică de 90.



ATENȚIE: Nu utilizați benzină cu o cifră octanică mai mică de 90 RON (87 AKI). Aceasta poate deteriora produsul.

1. Deschideți încet capacul rezervorului de carburant pentru a elibera presiunea.
2. Umpleți încet, cu o canistră de carburant. Dacă vărsați carburant, îndepărtați-l cu o cârpă și lăsați-l să se usuce. (Fig. 24)
3. Curățați suprafața din jurul capacului rezervorului de carburant.
4. Strângeți până la capăt capacul rezervorului de carburant. Dacă acesta nu este strâns, există pericol de incendiu.
5. Înainte de pornire, mutați produsul la o distanță de minimum 3 m (10 ft) față de poziția unde ați umplut rezervorul.

Pentru a seta înălțimea de tăiere

1. Deplasați spre spate pârghia înălțimii de tăiere pentru a mări înălțimea de tăiere.
2. Deplasați înainte pârghia înălțimii de tăiere pentru a reduce înălțimea de tăiere. (Fig. 25)



ATENȚIE: Nu setați o înălțime de tăiere prea scăzută. Cuițele pot atinge solul dacă suprafața gazonului nu este plană.

Pornirea produsului

1. Cablul de alimentare a aprinderii trebuie să fie conectat la bujie.
2. Stați în spatele produsului.
3. Țineți maneta frânei de motor lipită de mâner. (Fig. 26)
4. Țineți mânerul șnurului de pornire cu mâna dreaptă.
5. Trageți încet de șnurul de pornire până ce simțiți o anumită rezistență.
6. Trageți cu forță pentru a porni motorul.



AVERTISMENT: Nu răsuciți cablul de pornire în jurul mâinii.

Utilizarea transmisiei pe roți LC 151S & LB 256SP

- Împingeți maneta de transmisie în direcția mânerului. (Fig. 27)
- Eliberați maneta de transmisie pentru a dezactiva transmisia, de exemplu atunci când vă apropiați de un obstacol.
- Înainte de a trage produsul în spate, decuplați transmisia și împingeți produsul înainte cu aproximativ 10 cm.

Utilizarea transmisiei pe roți (LB 251S)

- Trageți pârghia de transmisie în direcția mânerului. (Fig. 28)
- Împingeți pârghia de transmisie departe de mâner pentru a dezactiva transmisia, de exemplu atunci când vă apropiați de un obstacol.

Nota: Pârghia de transmisie este decuplată automat atunci când eliberați maneta frânei de motor.

- Înainte de a trage produsul în spate, împingeți pârghia transmisiei departe de mâner și împingeți produsul înainte cu aproximativ 10 cm, pentru a decupla complet transmisia.

Oprirea produsului

- Pentru a opri doar transmisia, eliberați maneta transmisiei (LC 151S, LB 256SP) sau pârghia transmisiei (LB 251S).
- Pentru a opri motorul, eliberați maneta frânei de motor.

Utilizarea produsului cu colectorul de iarbă (LC 151, LC 151S)



AVERTISMENT: Nu utilizați produsul fără un colector de iarbă sau fără ca capacul posterior să fie închis. Obiectele pot ejecta și pot cauza vătămarea operatorului.

1. Ridicați capacul posterior și scoateți obturatorul pentru resturi vegetale, dacă este montat. (Fig. 29)
2. Asamblați colectorul de iarbă, consultați *Asamblarea colectorului de iarbă (LC 151, LC 151S) la pagina 307*.
3. Puneți colectorul de iarbă pe consolă.
4. Scoateți capacul posterior și puneți-l pe cadrul sacului de iarbă. (Fig. 30)

Trecerea produsului în modul de mărunțire (LC 151, LC 151S)

Asigurați-vă că motorul este oprit înainte de a trece produsul în modul de mărunțire.

1. Ridicați capacul posterior și scoateți colectorul de iarbă, dacă este montat.

2. Introduceți obturatorul pentru resturi vegetale în canalul colector. (Fig. 31)
3. Închideți capacul posterior și asigurați-vă că este bine închis pe obturatorul pentru resturi vegetale.
4. Înlocuiți cuțitul obișnuit cu un cuțit de mărunțire care este furnizat în kitul de mărunțire. Consultați *Pentru a înlocui lama la pagina 311*.

Trecerea produsului în modul de descărcare laterală

1. Ridicați capacul posterior și scoateți sacul de iarbă, dacă este montat.
2. Închideți capacul posterior și asigurați-vă că este bine închis pe produs.
3. Ridicați dispozitivul de blocare pentru descărcare. (Fig. 32)
4. Deschideți capacul de descărcare laterală și instalați deflectorul de descărcare laterală pe știfturile de sprijin. (Fig. 33)
5. Lăsați capacul de descărcare laterală să se închidă pe deflectorul de descărcare laterală. Asigurați-vă că deflectorul de descărcare laterală este bine poziționat înainte de a utiliza produsul.

Golirea colectorului de iarbă



ATENȚIE: Ridicați colectorul de iarbă când îl mișcați, pentru a preveni uzarea sa.

Întreținerea

Introducere



AVERTISMENT: Înainte de a efectua orice operații de întreținere, citiți și înțelegeți capitolul privind siguranța.

Toate lucrările de service și de reparații la produs necesită instruire specială. Garantăm disponibilitatea unor lucrări profesioniste de reparații și service. Dacă distribuitorul dvs. nu este agent de service, solicitați acestuia informații cu privire la cel mai apropiat agent de service.

1. Ridicați colectorul de iarbă prinzându-l de mânerul cadrului.
2. Folosiți mânerul cadrului și mânerul sacului când goliți colectorul de iarbă. (Fig. 34)

Pentru a obține rezultate bune

- Utilizați întotdeauna o lamă ascuțită. O lamă tocită oferă rezultate neregulate, iar suprafața tăiată a ierbii se îngălbenește. De asemenea, o lamă ascuțită folosește mai puțină energie decât o lamă tocită.
- Nu tăiați niciodată mai mult de 1/3 din lungimea ierbii. Folosiți cea mai mare înălțime de tăiere când începeți să tăiați iarbă. Verificați rezultatul și coborâți înălțimea de tăiere la un nivel convenabil. Dacă iarbă este foarte înaltă, deplasați aparatul încet și tundeți de două ori, dacă este necesar.
- Tăiați de fiecare dată în altă direcție, pentru a preveni formarea de dungi pe gazon.
- Ridicați capacul posterior și scoateți colectorul de iarbă.
- Dacă obturatorul pentru resturi vegetale și cuțitul de mărunțire sunt atașate, îndepărtați-le.
- Închideți capacul posterior, înainte de utilizarea produsului. Atunci când utilizați produsul, iarbă tăiată este evacuată pe sub capacul posterior.

Program de întreținere



ATENȚIE: Asigurați-vă că filtrul de aer este ridicat și nu este lipit de sol când înclinați produsul. Pericol de defectare a motorului.

Intervalele de întreținere sunt calculate având în vedere o utilizare zilnică a produsului. Intervalele se modifică dacă produsul nu este utilizat zilnic.

Pentru operațiunile de întreținere marcate cu *, consultați instrucțiunile din *Dispozitivele de siguranță de pe produs la pagina 305*.

Întreținerea	Zilnic	Lunar	În fiecare sezon
Efectuați o inspecție generală	X		
Examinați nivelul uleiului	X		
Schimbați uleiul (prima dată după 5 ore de utilizare, apoi la fiecare 50 ore de utilizare) ¹⁴¹			X

¹⁴¹ Dacă produsul este folosit cu o sarcină mare sau la temperaturi ambiante ridicate, înlocuiți uleiul de motor la fiecare 25 de ore.

Întreținerea	Zilnic	Lunar	În fiecare sezon
Curățați produsul	X		
Examinați echipamentul de tăiere	X		
Examinați capacul de tăiere *	X		
Examinați maneta frânei de motor *	X		
Examinați amortizorul de zgomot *		X	
Verificați bujia. Curățați sau înlocuiți bujia dacă este necesar			X
Examinați filtrul de aer	X		
Curățați filtrul de aer ¹⁴²		X	
Schimbați filtrul de aer			X
Examinați sistemul de alimentare cu carburant			X
Curățați lamelele de răcire de pe cilindru		X	
Examinați și reglați cablul de ambreiaj (LC 151S, LB 251S, LB 256SP)			X
Curățați sub capacul transmisiei (LB 251S)			X

Pentru a efectua o inspecție generală

- Asigurați-vă că toate șuruburile și piulițele produsului sunt strânse.

Pentru a curăța produsul la exterior

- Folosiiți o perie pentru a elimina frunzele, iarba și murdăria.
- Asigurați-vă că priza de aer din partea superioară a motorului nu este înfundată.
- Nu utilizați o instalație de spălare cu presiune ridicată pentru a curăța produsul.
- Dacă utilizați apă pentru a curăța produsul, nu stropiți direct către motor.

Pentru a curăța suprafața interioară a capacului de tăiere

- Goliți rezervorul de carburant.
- Înclinați produsul. Asigurați-vă că bujia este orientată în sus.



ATENȚIE: Dacă produsul este așezat cu filtrul de aer în jos, motorul se poate deteriora.

- Spălați cu apă suprafața interioară a capacului de tăiere.

Curățarea dedesubtul capacului transmisiei (LB 251S)

- Goliți rezervorul de carburant.
- Înclinați produsul. Asigurați-vă că bujia este orientată în sus.



ATENȚIE: Dacă produsul este așezat cu filtrul de aer în jos, motorul se poate deteriora.

- Îndepărtați cele 7 șuruburi. (Fig. 35)
- Scoateți capacul transmisiei.
- Curățați suprafața cu o perie.



ATENȚIE: Apa sau murdăria de sub capacul transmisiei poate provoca deteriorarea transmisiei.

- Montați capacul transmisiei și cele 7 șuruburi.

Pentru a examina echipamentul de tăiere



AVERTISMENT: Pentru a preveni pornirea accidentală, decuplați cablul de alimentare a aprinderii de la bujie.

¹⁴² Curățați mai des în condiții de praf sau când sunt prezente reziduurile în aer. Înlocuiți filtrul de aer dacă este foarte murdar.



AVERTISMENT: Purtați mănuși de protecție când efectuați întreținerea echipamentului de tăiere. Cuțitul este foarte ascuțit și vă puteți tăia foarte ușor.

1. Examinați echipamentul de tăiere pentru a identifica eventuale deteriorări sau crăpături. Înlocuiți întotdeauna un echipament de tăiere deteriorat.
2. Observați cuțitul pentru a vedea dacă este deteriorat sau tocit.

Nota: După ascuțirea cuțitului, acesta trebuie echilibrat. Solicitați unui centru de service să ascuțe, să monteze la loc și să echilibreze cuțitul. Dacă loviți un obstacol care determină produsul să se oprească, înlocuiți cuțitul deteriorat. Solicitați centrului de service să estimeze dacă lama poate fi ascuțită sau trebuie înlocuită.

Pentru a înlocui lama

1. Blocați lama cu o bucată de lemn. (Fig. 36)
2. Scoateți bolțul cuțitului.
3. Demontați cuțitul.
4. Examinați suportul cuțitului și bolțul acestuia pentru a vedea dacă există deteriorări.
5. Examinați arborele motorului pentru a vă asigura că nu s-a îndoit.
6. Când montați un cuțit nou, îndreptați capetele oblice ale cuțitului în direcția capacului de tăiere. (Fig. 37)
7. Asigurați-vă de alinierea cuțitului cu centrul arborelui motorului.
8. Blocați lama cu o bucată de lemn. Montați șaiba elastică și strângeți bolțul și șaiba la un cuplu de 43 – 47 Nm. (Fig. 38)
9. Învârtiți cuțitul cu mâna și asigurați-vă că se rotește liber.



AVERTISMENT: Purtați mănuși de protecție rezistente. Cuțitul este foarte ascuțit și vă puteți tăia foarte ușor.

10. Porniți produsul pentru a efectua un test al cuțitului. Dacă acesta nu este fixat corect, produsul vibrează sau rezultatele sunt nesatisfăcătoare.

Pentru a verifica nivelul de ulei



ATENȚIE: Un nivel de ulei prea redus poate deteriora motorul. Efectuați o verificare a nivelului de ulei înainte să porniți produsul.

1. Așezați produsul pe teren drept.
2. Scoateți bușonul rezervorului cu joja atașată.
3. Curățați joja de ulei.
4. Introduceți joja complet în rezervorul de ulei pentru o înregistrare corectă a nivelului de ulei.
5. Scoateți joja.

6. Examinați nivelul de ulei de pe joja.
7. Dacă nivelul uleiului este scăzut, alimentați cu ulei de motor și verificați din nou nivelul.

Înlocuirea uleiului de motor



AVERTISMENT: Imediat după oprirea motorului, uleiul de motor este foarte fierbinte. Lăsați motorul să se răcească înainte de a îl goli de ulei. Dacă uleiul de motor intră în contact cu pielea, curățați cu apă și săpun.

(Fig. 39)

1. Utilizați produsul până când rezervorul de carburant se golește.
2. Scoateți cablu de alimentare a aprinderii din bujie.
3. Scoateți bușonul rezervorului de ulei.
4. Amplasați sub produs un recipient în care să colectați uleiul de motor.
5. Înclinați produsul pentru a scurge uleiul de motor din rezervorul de ulei.
6. Umpleți cu ulei de motor proaspăt și de tipul recomandat în *Date tehnice la pagina 315*.
7. Verificați nivelul de ulei. Consultați *Pentru a verifica nivelul de ulei la pagina 311*.

Pentru a verifica bujia



ATENȚIE: Folosiți întotdeauna tipul recomandat de bujie. Tipul incorect de bujie poate defecta produsul.

- Verificați bujia dacă motorul nu are putere, nu pornește ușor sau nu funcționează corect la turație de mers în gol.
- Pentru a reduce riscul prezenței materialelor nedorite la electrozii bujiei, respectați aceste instrucțiuni:
 - a) Asigurați-vă că turația de mers în gol este corect reglată.
 - b) Asigurați-vă că amestecul este corect.
 - c) Asigurați-vă că filtrul de aer este curat.
- Dacă bujia este murdară, curățați-o și asigurați-vă că distanța dintre electrozi este corectă, consultați *Date tehnice la pagina 315*. (Fig. 40)
- Înlocuiți bujia atunci când este necesar.

Filtru de aer

Un filtru de aer murdar poate cauza deteriorarea sau funcționarea incorectă a motorului. Efectuați mai des întreținerea filtrului de aer în mediile cu mult praf. Consultați *Întreținerea la pagina 309* pentru informații despre înlocuirea filtrului de aer.

Nota: Întotdeauna înlocuiți un filtru de aer deteriorat.

Scoaterea și montarea filtrului de aer



AVERTISMENT: Utilizați mănuși de protecție.

1. Apăsați clemele de pe capacul filtrului de aer.
2. Scoateți cu grijă capacul filtrului de aer (A) de pe motor.
3. Scoateți filtrul de aer (B). (Fig. 41)
4. Verificați dacă filtrul de aer este deteriorat. Înlocuiți un filtru de aer deteriorat.
5. Curățați și examinați filtrul de aer. Consultați *Curățarea filtrului de aer la pagina 312*.
6. Instalați în ordine inversă.

Curățarea filtrului de aer

Un filtru de aer murdar poate cauza deteriorarea sau funcționarea incorectă a motorului. Efectuați mai des întreținerea curățătorului de aer în mediile cu mult praf.

Consultați *Întreținerea la pagina 309* pentru informații despre înlocuirea filtrului de aer.

1. Îndepărtați capacul filtrului de aer și scoateți filtrul.
2. Curățați filtrul prin lovirea acestuia de o suprafață plană. Nu utilizați solvent cu benzină, kerosen sau aer comprimat pentru curățarea filtrului.

Nota: Filtrele de aer în funcțiune pentru o perioadă lungă de timp nu pot fi curățate complet. Înlocuiți filtrul de aer la intervale regulate. Filtrele de aer deteriorate trebuie înlocuite întotdeauna.

3. Când asamblați filtrul de aer, asigurați-vă că acesta este etanșat complet pe suportul filtrului.

Verificarea deflectorului de descărcare laterală

Deflectorul de descărcare laterală este atașat la deschiderea pentru descărcare laterală a produsului. Scade riscul expulzării de obiecte în direcția poziției de tăiere a operatorului.

1. Asigurați-vă că deflectorul de descărcare laterală nu este deteriorat.
2. Examinați deflectorul de descărcare laterală. Asigurați-vă că nu vedeți defecte, cum ar fi crăpături sau arcuri rupte care împing ușa pentru închidere.
3. Înlocuiți deflectorul de descărcare laterală sau arcurile, dacă sunt deteriorate.

Pentru a examina sistemul de alimentare cu carburant

- Examinați bușonul rezervorului de carburant și garnitura bușonului rezervorului de carburant pentru a vă asigura că nu există deteriorări.
- Examinați furtunul de carburant pentru a vă asigura că nu există scurgeri. Dacă furtun de carburant este deteriorat, trebuie înlocuit de către un agent de service.

Reglarea cablului de ambreiaj (LC 151S, LB 251S, LB 256SP)

Pentru situațiile următoare, este necesar să micșorați lungimea cablului de ambreiaj:

- Acționarea roților nu se cuplează când trageți maneta de transmisie sau maneta de control al vitezei.
- Produsul se deplasează lent când acționarea roților este cuplată.

Pentru situațiile următoare, este necesar să prelungiți lungimea cablului de ambreiaj:

- Produsul se deplasează atunci când acționarea roților nu este cuplată.
- Reglați cablul de ambreiaj.
 - a) Pentru a reduce lungimea cablului de ambreiaj, rotiți șurubul de reglare în sens invers acelor de ceasornic.
 - b) Pentru a prelungi lungimea cablului de ambreiaj, rotiți șurubul de reglare în sensul acelor de ceasornic. (Fig. 42)

Dacă produsul continuă să se deplaseze nesatisfăcător după reglare, contactați distribuitorul de service

Depanarea motorului

Problemă	Cauza posibilă	Soluție
Motorul nu pornește.	Cablul de alimentare a aprinderii nu este conectat corect.	Conectați cablul de alimentare a aprinderii la bujie.
	Rezervorul de carburant este gol.	Umpleți rezervorul de carburant cu tipul corect de carburant.
	Combustibilul este vechi.	Scurgeți rezervorul de carburant și carburatorul. Realimentați cu benzină nouă.
	Există murdărie în carburator sau în conducta de carburant.	Curățați carburatorul și/sau conducta de carburant.
	Bujia este defectă.	Reglați apărătoarea electrozului, curățați sau schimbați bujia.
	Există combustibil pe bujie.	Curățați bujia.
Motorul nu se oprește.	Mecanismul de oprire este defect.	Decuplați cablul de alimentare a aprinderii de la bujie. Repararea produsului trebuie efectuată de către un agent de service autorizat.
Motorul nu funcționează uniform.	Cablul de alimentare a aprinderii nu este conectat corect.	Conectați cablul de alimentare a aprinderii la bujie.
	Există mizerie în conducta de carburant sau carburantul a expirat.	Curățați conducta de carburant. Umpleți rezervorul de carburant cu carburant nou de tipul corect.
	Există un blocaj al capacului rezervorului de carburant.	Curățați capacul rezervorului de carburant.
	Există apă sau murdărie în sistemul de alimentare cu carburant.	Goliți rezervorul de carburant. Umpleți rezervorul de carburant cu carburant nou de tipul corect.
	Filtrul de aer este murdar.	Curățați filtrul de aer.
	Carburatorul trebuie reglat.	Lăsați un distribuitor de service să regleze carburatorul.
Motorul devine prea fierbinte.	Nivelul de ulei de motor este prea scăzut.	Umpleți cu ulei de motor.
	Debitul de aer nu este suficient.	Curățați filtrul de aer și carcasa filtrului de aer.
	Carburatorul trebuie reglat.	Lăsați un distribuitor de service să regleze carburatorul.
Există rateuri de combustie în timpul funcționării la viteză mare.	Distanța dintre electrozi din bujie este prea mică.	Reglați distanța dintre electrozi.

Problemă	Cauza posibilă	Soluție
Zgomote neobișnuite de la motor în timpul operării cu sarcină normală.	Tip incorect de benzină.	Scurgeți rezervorul de carburant și carburatorul. Realimentați cu benzină nouă. Consultați <i>Alimentarea cu carburant la pagina 308</i> . Dacă problema persistă, discutați cu reprezentantul de service local.
Motorul nu funcționează lin la turația de mers în gol.	Bujia este murdară, defectă sau distanța dintre electrozi este prea mare.	Reglați apărătoarea electrodului sau schimbați bujia.
	Carburatorul trebuie reglat.	Reglați carburatorul.
	Filtrul de aer este murdar.	Curățați filtrul de aer.

Transportul, depozitarea și eliminarea

Transportul și depozitarea

- Pentru depozitarea și transportul produsului și a carburantului, asigurați-vă că nu există scurgeri și gaze. Scânteele sau flăcările deschise, de exemplu cele provenite de la dispozitive sau boilere electrice, pot cauza un incendiu.
- Utilizați întotdeauna recipiente omologate pentru depozitarea și transportarea combustibilului.
- Goliți rezervorul de carburant și depozitați produsul pentru o perioadă lungă de timp. Eliminați carburantul într-o locație de eliminare autorizată
- Fixați în siguranță produsul în timpul transportului pentru a preveni daunele și accidentele.
- Păstrați produsul într-o zonă restricționată pentru a preveni accesul copiilor sau al persoanelor neautorizate.
- Păstrați produsul într-un spațiu uscat și ferit de îngheț.

Dezafectarea

- Respectați cerințele de reciclare și reglementările locale aplicabile.
- Eliminați toate substanțele chimice, precum uleiul de motor sau carburantul, la un centru de service sau într-o locație de eliminare autorizată.
- Atunci când produsul nu mai este în uz, trimiteți-l la un distribuitor Husqvarna sau casați-l într-o locație de reciclare.

Date tehnice

Date tehnice

	LC 151	LC 151S	LB 251S	LB 256SP
Motor				
Marcă	Husqvarna	Husqvarna	Husqvarna	Husqvarna
Tip de motor	Cu un cilindru, în 4 timpi, răcire forțată cu aer, OHV	Cu un cilindru, în 4 timpi, răcire forțată cu aer, OHV	Cu un cilindru, în 4 timpi, răcire forțată cu aer, OHV	Cu un cilindru, în 4 timpi, răcire forțată cu aer, OHV
Cilindree, cm ³	166	166	166	166
Turație, rpm	2800	2800	2800	2800
Putere nominală de ieșire motor, kW ¹⁴³	2,7	2,7	2,7	2,7
Sistem de aprindere				
Bujie	Husqvarna HQT-7	Husqvarna HQT-7	Husqvarna HQT-7	Husqvarna HQT-7
Distanță între electrozi, mm	0,7-0,8	0,7-0,8	0,7-0,8	0,7-0,8
Carburant și sistem de ungere				
Tip de lubrifiere a motorului	Stropire	Stropire	Stropire	Stropire
Capacitate rezervor de carburant, litri	1,0	1,0	1,0	1,0
Capacitate rezervor de ulei, litri	0,5	0,5	0,5	0,5
Uleiul de motor ¹⁴⁴	Husqvarna SAE 30	Husqvarna SAE 30	Husqvarna SAE 30	HusqvarnaSAE 30
Greutate				
Cu rezervoare goale, kg	31,1	32,6	32,0	33,1
Emisii de zgomot¹⁴⁵				
Nivel de putere a zgomotului, măsurat, dB(A)	96	96	95	97
Nivel de putere acustică garantat L _{WA} dB(A)	98	98	96	98

¹⁴³ Puterea nominală indicată a motorului este puterea de ieșire medie netă (la turația specificată) a unui motor de producție normal pentru modelul de motor, măsurată conform standardului SAE J1349/ISO1585. Motoarele de producție în masă pot prezenta valori diferite de aceasta. Puterea de ieșire efectivă pentru motorul instalat pe produsul final va depinde de viteza de funcționare, de condițiile de mediu și de alte valori.

¹⁴⁴ Dacă se folosește ulei SAE-30 la temperaturi mai joase de +5 °C, există riscul să nu lubrifizeze suficient motorul. Acest lucru poate cauza deteriorarea motorului. Consultați *Înlocuirea uleiului de motor la pagina 311* pentru uleiul corect pentru temperaturi scăzute.

¹⁴⁵ Emisiile de zgomot în mediu măsurate ca putere acustică (L_{WA}) în conformitate cu directiva CE 2000/14/CE.

	LC 151	LC 151S	LB 251S	LB 256SP
Niveluri de zgomot¹⁴⁶				
Nivel de presiune acustică la urechea operatorului, dB(A)	86	86	82	86
Niveluri de vibrații¹⁴⁷				
Vibrații în mâner, m/s ²	8,5	8,5	4,7	7,5
Echipament de tăiere				
Înălțime de tăiere, mm	25-75	25-75	25-75	25-75
Lățime de tăiere, mm	510	510	510	560
Sistem de tăiere	Colectare / Bio-Clip® / Descărcare laterală	Colectare / Bio-Clip® / Descărcare laterală	BioClip® / Descărcare laterală	BioClip® / Descărcare laterală
Lamă - standard	Colecția 598562601	Colecția 598562601	Tocător 597683901	Tocător 598563601
Lamă - Accesoriu	Tocător 597683901	Tocător 597683901	–	–
Capacitate colector de iarbă, litri	65	65	–	–
Deplasarea				
Viteză de deplasare independentă, km/h	–	3,6	4,0	3,6

¹⁴⁶ Datele raportate pentru presiunea nivelului de zgomot prezintă o distribuție statistică tipică (abatere standard) de 1,2 dB(A).

¹⁴⁷ Datele raportate pentru nivelul de vibrații prezintă o dispersie statistică tipică (abatere standard) de 0,2 m/s².

Declarație de conformitate CE

Declarație de conformitate CE

Husqvarna AB, SE-561 82 Huskvarna, Suedia, tel.: +46-36-146500, declară că **mașina pentru tuns gazonul Husqvarna LC 151, LC 151S, LB 251S, LB 256SP** începând cu anul 2020, respectă cerințele DIRECTIVEI CONSILIULUI:

- din 8 iunie 2011 privind „restricțiile de utilizare a anumitor substanțe periculoase” **2011/65/UE**.
- din 17 mai 2006 „referitoare la utilaje” **2006/42/CE**
- din 26 februarie 2014 „referitoare la compatibilitatea electromagnetică” **2014/30/UE**
- din 8 mai 2000 „referitoare la emisiile de zgomot în mediul înconjurător” **2000/14/CE**

Informațiile privind emisiile de zgomot sunt specificate în secțiunea Date tehnice.

Au fost aplicate următoarele standarde:

EN ISO 5395-1:2013, EN ISO 5395-1:2013/A1, EN ISO 5395-2:2013, EN ISO 5395-2:2013/A1:2016, EN ISO 5395-2:2013/A2:2017, EN ISO 14982:2009

În absența altor indicații, standardele menționate mai sus reprezintă cele mai recente versiuni publicate.

Organismul notificat (LC 151, LC 151S, LB 256SP): **0036, TÜV SÜD Industrie Service GmbH, Westendstrasse 199, 80686 München, Germany** a efectuat evaluarea conformității potrivit Anexei VI din directiva 2000/14/CE.

Organismul notificat (LB 251S): **0404, RISE SMP Svensk Maskinprovning AB, Box 7035, SE-750 07 Uppsala, Sweden** a efectuat evaluarea conformității potrivit Anexei VI din directiva 2000/14/CE.

Huskvarna, 2020-10-20



Claes Losdal, Director de Dezvoltare/Produse pentru grădină (reprezentant autorizat al Husqvarna AB și responsabil cu documentația tehnică)

Содержание

Введение.....	318	Поиск и устранение неисправностей двигателя....	329
Безопасность.....	319	Транспортировка, хранение и утилизация.....	330
Сборка.....	322	Технические данные.....	331
Эксплуатация.....	323	Декларация соответствия ЕС.....	333
Техническое обслуживание.....	325		

Введение

Описание изделия

Изделие представляет собой пешеходную роторную газонокосилку. Для LC 151, LC 151S установите травосборник для сбора травы. Установите дефлектор бокового выброса для бокового выброса травы. Для LC 151, LC 151S установите комплект для мульчирования, чтобы использовать скошенную траву в качестве удобрения.

Обзор изделия

(Рис. 1)

1. Рукоятка
2. Рукоятка тормоза двигателя
3. Петля привода (LC 151S, LB 256SP)
4. Рычаг привода (LB 251S)
5. Задняя крышка (LC 151, LC 151S)
6. Травосборник (LC 151, LC 151S)
7. Ручки для регулировки рукоятки по высоте
8. Рычаг регулировки высоты стрижки
9. Крышка масляного бака и щуп
10. Крышка бокового выброса
11. Глушитель
12. Свеча зажигания
13. Карбюратор
14. Крышка топливного бака
15. Условные обозначения
16. Режущая дека
17. Воздушный фильтр
18. Боковой дефлектор
19. Комплект для мульчирования (принадлежность для LC 151, LC 151S)
20. Ручка шнура стартера
21. Руководство по эксплуатации

Условные обозначения на изделии

- (Рис. 2) **ПРЕДУПРЕЖДЕНИЕ!** Соблюдайте осторожность и правила эксплуатации изделия. Изделие может стать причиной тяжелой травмы или смерти оператора и окружающих.

Назначение

Используйте изделие для стрижки травы. Запрещается использовать изделие для других видов работ.

- (Рис. 3) Перед началом работы внимательно прочитайте руководство по эксплуатации и убедитесь, что понимаете приведенные здесь инструкции.

- (Рис. 4) Берегитесь отскакивающих предметов и рикошетов.

- (Рис. 5) Следите за тем, чтобы в зоне проведения работ не было посторонних людей или животных.

- (Рис. 6) Предупреждение: Не приближайте руки или ноги к вращающемуся ножу.

- (Рис. 7) Предупреждение: Не приближайте руки или ноги к вращающимся частям.

- (Рис. 8) Остановите двигатель и отсоедините кабель зажигания, прежде чем приступать к ремонту или техобслуживанию.

- (Рис. 9) Данное изделие отвечает требованиям соответствующих директив ЕС.

- (Рис. 10) Эмиссия шума в окружающую среду согласно Директиве Европейского Сообщества. Звуковое излучение данного изделия приведено в разделе "Технические данные" и на паспортной табличке.

- (Рис. 11) Риск пожара.

- (Рис. 12) Не вдыхайте выхлопные газы. Выхлопные газы из двигателя содержат

окись углерода — не имеющий запаха, токсичный и чрезвычайно опасный газ. Запрещается запускать двигатель в помещении или в замкнутых пространствах.

(Рис. 13) Горячая поверхность.

(Рис. 14) Перед запуском изделия залейте в двигатель масло.

Примечание: Остальные символы/наклейки на изделии относятся к специальным требованиям сертификации в определенных коммерческих зонах.

Ответственность изготовителя

В соответствии с законами об ответственности изготовителя мы не несем ответственности за ущерб, вызванный эксплуатацией нашего изделия в результате:

- ненадлежащего ремонта изделия;
- использования для ремонта изделия неоригинальных деталей или деталей, не одобренных производителем;
- использования неоригинальных дополнительных принадлежностей или принадлежностей, не одобренных производителем;
- ремонта изделия в неавторизованном сервисном центре или неквалифицированным специалистом;

Соответствие уровня токсичных выбросов стандарту Euro V



ПРЕДУПРЕЖДЕНИЕ: В случае вмешательства в работу двигателя данное изделие перестанет соответствовать нормативам ЕС.

Безопасность

Инструкции по технике безопасности

Предупреждения, предостережения и примечания используются для выделения особо важных пунктов руководства.



ПРЕДУПРЕЖДЕНИЕ: Используется, когда несоблюдение инструкций руководства может привести к травмам или смерти оператора или находящихся рядом посторонних лиц.



ВНИМАНИЕ: Используется, когда несоблюдение инструкций руководства может привести к повреждению изделия, других материалов или прилегающей территории.

Примечание: Используется для предоставления дополнительных сведений о конкретной ситуации.

Общие инструкции по технике безопасности



ПРЕДУПРЕЖДЕНИЕ: В обязательном порядке прочитайте следующие инструкции по технике безопасности, прежде чем приступить к эксплуатации изделия.

- При небрежном или неправильном обращении изделие может оказаться опасным инструментом. Несоблюдение инструкций по технике безопасности может привести к травмам или смерти.
- Во время работы данное изделие создает электромагнитное поле. В определенных обстоятельствах это поле может создавать помехи для пассивных и активных медицинских имплантатов. В целях снижения риска серьезной или смертельной травмы лицам с медицинскими имплантатами рекомендуется проконсультироваться с врачом и изготовителем имплантата, прежде чем приступить к эксплуатации данного изделия.
- Будьте всегда осторожны и руководствуйтесь здравым смыслом. Если вы не уверены, как правильно эксплуатировать изделие в определенной ситуации, прекратите работу и проконсультируйтесь со своим дилером Husqvarna, прежде чем продолжить.
- Помните: ответственность за аварии, угрожающие другим людям или их имуществу, несет оператор.
- Содержите изделие в чистоте. Следите за тем, чтобы знаки и наклейки были легко читаемыми.
- Не разрешайте пользоваться изделием людям, не убедившись сначала в том, что они прочитали и поняли содержание руководства по эксплуатации.
- Не позволяйте детям использовать изделие.
- Не допускайте детей в рабочую зону. Они должны постоянно находиться под присмотром взрослого.
- Не разрешайте пользоваться изделием людям, которые не знакомы с данными инструкциями.
- Не оставляйте без присмотра людей с физическими или умственными нарушениями, использующих изделие. Они должны постоянно находиться под присмотром взрослого.

- Ни в коем случае не используйте изделие, если вы устали, больны или находитесь под воздействием спиртного, наркотических веществ или лекарственных препаратов. Это может повлиять на ваше зрение, реакцию, координацию или оценку действительности.
- Запрещается использовать изделие, если оно повреждено.
- Запрещается вносить в изделие модификации или использовать изделие, если вы подозреваете, что в его конструкцию внесены изменения другими лицами.
- Не изменяйте настройку системы управления частотой вращения двигателя.

Техника безопасности на рабочем месте



ПРЕДУПРЕЖДЕНИЕ: В обязательном порядке прочитайте следующие инструкции по технике безопасности, прежде чем приступить к эксплуатации изделия.

- Уберите ветви, сучья, камни и прочие посторонние предметы из рабочей зоны перед началом эксплуатации изделия.
- Предметы, ударяющиеся о режущий инструмент, могут быть отброшены, что приведет к травмам или повреждению имущества. Следите за тем, чтобы посторонние лица и животные находились на безопасном расстоянии от изделия.
- Ни в коем случае не используйте изделие при неблагоприятных погодных условиях, например, в туман, дождь, при сильном ветре, низких температурах и риске удара молнии. Эксплуатация изделия при плохих погодных условиях или на сырых участках утомительна. Плохие погодные условия могут создавать опасные условия для работы, например, скользкие поверхности.
- Следите за возможным появлением посторонних лиц, предметов или условий, которые могут препятствовать безопасной эксплуатации изделия.
- Следите за возможным появлением препятствий, таких как корни, камни, сучья, ямы или рвы. Высокая трава может скрывать препятствия.
- Стрижка травы на склоне может представлять опасность. Запрещается использовать изделие на участках с уклоном более 15°.
- Используйте изделие поперек поверхности склона. Не передвигайтесь вверх и вниз по поверхности склона.
- Проявляйте особую осторожность при приближении к скрытым из видимости поворотам или предметам, которые могут затруднять обзор.

Техника безопасности



ПРЕДУПРЕЖДЕНИЕ: В обязательном порядке прочитайте следующие инструкции по технике безопасности, прежде чем приступить к эксплуатации изделия.

- Изделие предназначено исключительно для скашивания травы на газонах. Запрещается использовать изделие не по назначению.
- Пользуйтесь средствами индивидуальной защиты. См. раздел *Средства индивидуальной защиты на стр. 321*.
- Убедитесь, что вы знаете, как быстро остановить двигатель в аварийной ситуации.
- Запрещается запускать двигатель в закрытом помещении или вблизи легковоспламеняющихся материалов. Выхлопные газы двигателя имеют высокую температуру и могут содержать искры, которые в свою очередь могут привести к пожару.
- Ни в коем случае не используйте изделие с отсутствующими или неправильно установленными кожухами или ножом. Неправильно установленный нож может высвободиться и причинить травму.
- Следите за тем, чтобы в нож не попали посторонние предметы, например, камни и корни. Это может затупить нож и привести к искривлению вала двигателя. При сгибании оси увеличивается уровень вибрации, что может привести к снижению надежности крепления ножа.
- В случае столкновения ножа с посторонним предметом или возникновения вибрации немедленно остановите изделие. Отсоедините кабель от свечи зажигания. Проверьте изделие на наличие повреждений. Выполните ремонт повреждений или обратитесь в авторизованный сервисный центр для выполнения ремонта.
- Запрещается на постоянной основе фиксировать рукоятку тормоза двигателя при работающем двигателе.
- При запуске изделие должно находиться на устойчивой, ровной поверхности. Убедитесь, что нож не касается грунта или любого другого предмета.
- При работе с изделием всегда стойте сзади.
- При работе с изделием все колеса должны стоять на земле; держите рукоятку обеими руками. Не приближайте руки или ноги к вращающимся ножам.
- Запрещается наклонять изделие при работающем двигателе.
- Соблюдайте осторожность, когда тянете изделие назад.
- Запрещается поднимать изделие при работающем двигателе. Если вам необходимо

поднять изделие, сначала остановите двигатель и отсоедините кабель от свечи зажигания.

- Запрещается двигаться назад при работе с изделием.
- Остановливайте двигатель, когда пересекаете непокрытые травой зоны, например, дорожки из гравия, камня или асфальта.
- Запрещается бегать с изделием при работающем двигателе. Работайте с изделием в спокойном темпе.
- Выключайте двигатель, прежде чем изменить высоту стрижки. Ни в коем случае не выполняйте регулировку при работающем двигателе.
- Ни в коем случае не выпускайте изделие из вида при работающем двигателе. Остановите двигатель и убедитесь, что режущее оборудование не вращается.

Инструкции по безопасности во время эксплуатации

Средства индивидуальной защиты



ПРЕДУПРЕЖДЕНИЕ: В обязательном порядке прочитайте следующие инструкции по технике безопасности, прежде чем приступать к эксплуатации изделия.

- Средства индивидуальной защиты не могут полностью исключить риск получения травмы, но при несчастном случае они снижают тяжесть травмы. За помощью по правильному выбору оборудования обращайтесь к дилеру.
- Если уровень шума превышает 85 дБ, следует использовать защитные наушники.
- Используйте прочные, противоскользящие ботинки. Запрещается надевать открытую обувь или работать босиком.
- Надевайте прочные длинные брюки.
- При необходимости надевайте защитные перчатки, например, при закреплении, проверке или очистке режущего оборудования.

Защитные устройства на изделии



ПРЕДУПРЕЖДЕНИЕ: В обязательном порядке прочитайте следующие инструкции по технике безопасности, прежде чем приступать к эксплуатации изделия.

- Запрещается использовать изделие с неисправными защитными устройствами.
- Регулярно выполняйте проверку защитных устройств. Если защитные устройства неисправны, обратитесь в сервисный центр Husqvarna.

Проверка режущей деки

Режущая дека снижает уровень вибрации изделия и риск травмирования ножом.

- Проверьте режущую деку и убедитесь, что на ней отсутствуют повреждения, такие как трещины.

Проверка рукоятки тормоза двигателя

Рукоятка тормоза двигателя предназначена для остановки двигателя. При отпускании рукоятки тормоза двигатель останавливается.

- Запустите двигатель и отпустите рукоятку тормоза двигателя. Если двигатель не остановится через 3 секунды, обратитесь в авторизованный сервисный центр Husqvarna для регулировки тормоза двигателя. (Рис. 15)

Проверка задней крышки

Задний дефлектор снижает риск выброса предметов в сторону оператора.

- Убедитесь, что задняя крыша не повреждена.
- Убедитесь, что пружины, закрывающие заднюю крышку, не повреждены.
- Замените сломанные пружины и поврежденные детали.
- Убедитесь, что задняя крышка плавно перемещается на петлях.

Глушитель

Глушитель предназначен для максимального снижения уровня шума и отвода выхлопных газов в сторону от оператора.

Запрещается использовать изделие, если глушитель поврежден или отсутствует. Повреждение глушителя приводит к увеличению уровня шума и риску возгорания.



ПРЕДУПРЕЖДЕНИЕ: Глушитель значительно нагревается во время эксплуатации и сразу после остановки, а также во время работы двигателя на холостых оборотах. Во избежание возгорания соблюдайте осторожность при работе вблизи легковоспламеняющихся материалов и/или паров.

Проверка глушителя

- Регулярно осматривайте глушитель и проверяйте, что он правильно закреплен и не поврежден.

Правила безопасного обращения с топливом



ПРЕДУПРЕЖДЕНИЕ: В обязательном порядке прочитайте следующие инструкции по технике безопасности,

прежде чем приступить к эксплуатации изделия.

топлива. Оставьте место в верхней части топливного бака.

Инструкции по технике безопасности во время технического обслуживания



ПРЕДУПРЕЖДЕНИЕ: В обязательном порядке прочитайте следующие инструкции по технике безопасности, прежде чем приступить к эксплуатации изделия.

- Запрещается запускать изделие, если на него попало топливо или моторное масло. Удалите постороннее топливо/масло и дайте изделию высохнуть.
- Если топливо попало на одежду, немедленно смените ее.
- Не допускайте попадания топлива на тело, это может причинить вред здоровью. При попадании топлива на тело смойте его водой с мылом.
- Запрещается запускать изделие при наличии утечки из двигателя. Регулярно проверяйте двигатель на наличие утечек.
- Соблюдайте осторожность при обращении с топливом. Топливо является легковоспламеняющейся жидкостью со взрывоопасными парами и может привести к серьезным или смертельным травмам.
- Запрещается вдыхать пары топлива, т. к. это может причинить вред здоровью. Убедитесь в наличии достаточного потока воздуха.
- Запрещается курить вблизи топлива или двигателя.
- Запрещается ставить теплые предметы рядом с топливом или двигателем.
- Запрещается доливать топливо при работающем двигателе.
- Прежде чем заправить изделие, убедитесь, что двигатель полностью остыл.
- Перед заправкой топлива медленно откройте крышку топливного бака и осторожно сбросьте давление.
- Запрещается заливать топливо в двигатель в помещении. Недостаточная вентиляция может привести к травме или смерти в результате удушья или отравления угарным газом.
- Плотно затяните крышку топливного бака. Если крышка топливного бака не затянута, возникает риск пожара.
- Переместите изделие минимум на 3 м / 10 футов от места заправки топливом, прежде чем запустить его.
- Никогда не заправляйте топливный бак полностью. Тепло приводит к расширению

- Выхлопные газы из двигателя содержат окись углерода — не имеющий запаха, токсичный и чрезвычайно опасный газ. Запрещается запускать двигатель в помещении или в замкнутых пространствах.
- Прежде чем приступить к техобслуживанию изделия, остановите двигатель и отсоедините кабель от свечи зажигания.
- Надевайте защитные перчатки при техобслуживании режущего оборудования. Нож очень острый, что при неосторожном обращении может легко привести к порезам.
- Использование принадлежностей или внесение изменений в конструкцию изделия, не одобренных производителем, может привести к серьезным или смертельным травмам. Запрещается вносить изменения в конструкцию изделия. Пользуйтесь только рекомендованными производителем принадлежностями.
- При несоблюдении правил и сроков выполнения техобслуживания риск получения травмы или повреждения изделия возрастает.
- Выполняйте техобслуживание строго в соответствии с инструкциями, приведенными в руководстве по эксплуатации. Все прочие виды сервисного обслуживания должны проводиться в авторизованном сервисном центре Husqvarna.
- Регулярно обращайтесь в авторизованный сервисный центр Husqvarna для проведения техобслуживания изделия.
- Замените поврежденные, сломанные или изношенные детали.

Сборка

Введение



ПРЕДУПРЕЖДЕНИЕ: Перед сборкой изделия ознакомьтесь с разделом, посвященным безопасности, и усвойте его содержание.



ПРЕДУПРЕЖДЕНИЕ: Перед сборкой изделия снимите со свечи зажигания провод свечи зажигания.

Сборка ручки

1. Вставьте винт (A) в рукоятку (B), пластмассовую шайбу (C) и опорный кронштейн рукоятки (D). (Рис. 16)

2. Полностью затяните гайку (E).
3. Вставьте винт (F) в шайбу (G) и опорный кронштейн рукоятки. (Рис. 17)
4. Полностью затяните ручку (H).

Регулировка рукоятки

1. Ослабьте нижние ручки.
2. Переместите ручки в нижние положения в пазах с левой и правой стороны изделия. (Рис. 18)
3. Установите рукоятку в одно из 2 доступных положений по высоте.
4. Переместите ручки вверх в направлении рукоятки до упора. Вы должны услышать щелчок. (Рис. 19)
5. Надежно затяните ручки.

Установка изделия в транспортное положение

1. Ослабьте нижние ручки.
2. Переместите ручки в нижние положения в пазах с левой и правой стороны изделия. (Рис. 18)

3. Сложите рукоятку вперед. (Рис. 20)

Установка изделия в рабочее положение

1. Установите рукоятку в вертикальное положение. (Рис. 21)
2. Переместите ручки вверх в направлении рукоятки до упора. Вы должны услышать щелчок. (Рис. 19)
3. Надежно затяните ручки.

Установка травосборника (LC 151, LC 151S)

1. Установите раму травосборника на мешок травосборника таким образом, чтобы жесткая часть мешка оказалась внизу. Ручка рамы должна находиться за пределами верхней части сборника. (Рис. 22)
2. Закрепите мешок травосборника на раме с помощью зажимов. (Рис. 23)

Эксплуатация

Введение



ПРЕДУПРЕЖДЕНИЕ: Перед эксплуатацией прибора необходимо внимательно изучить раздел безопасности.

Husqvarna Connect

Husqvarna Connect представляет собой бесплатное приложение для мобильного устройства. Приложение Husqvarna Connect позволяет пользоваться расширенными функциями вашего изделия Husqvarna:

- Дополнительная информация об изделии.
- Сведения о деталях и помощь в техническом обслуживании.

Как начать использовать Husqvarna Connect

1. Загрузите приложение Husqvarna Connect на свое мобильное устройство.
2. Зарегистрируйтесь в приложении Husqvarna Connect.
3. Выполните пошаговые инструкции в приложении Husqvarna Connect для подключения и регистрации изделия.

Перед началом эксплуатации изделия

1. Внимательно прочитайте руководство по эксплуатации и убедитесь, что понимаете приведенные здесь инструкции.
2. Осмотрите режущее оборудование и убедитесь, что оно правильно закреплено и отрегулировано. См. раздел *Проверка режущего оборудования на стр. 326.*
3. Заполните топливный бак. См. раздел *Заправка топливом на стр. 323.*
4. Заполните масляный бак и проверьте уровень масла. См. раздел *Проверка уровня масла на стр. 327.*

Заправка топливом

По возможности пользуйтесь экологическим/ алкилатным бензином. При невозможности использовать экологический/алкилатный бензин используйте качественный неэтилированный или этилированный бензин с октановым числом не ниже 90.



ВНИМАНИЕ: Не используйте бензин с октановым числом меньше 90 RON (87 AKI). Это может привести к повреждению изделия.

1. Медленно откройте крышку топливного бака, чтобы стравить давление.

2. Медленно залейте топливо из канистры. Если вы пролили топливо, протрите его тряпкой и дайте оставшемуся топливу высохнуть. (Рис. 24)
3. Очистите поверхность вокруг крышки топливного бака.
4. Плотно затяните крышку топливного бака. Если крышка топливного бака не затянута, возникает риск пожара.
5. Переместите изделие минимум на 3 м (10 футов) от места заправки топливом, прежде чем запустить его.

Регулировка высоты стрижки

1. Переведите рычаг регулировки высоты стрижки назад, чтобы увеличить высоту стрижки.
2. Переведите рычаг регулировки высоты стрижки вперед, чтобы уменьшить высоту стрижки. (Рис. 25)



ВНИМАНИЕ: Не устанавливайте высоту стрижки слишком низко. Ножи могут удариться о землю, если поверхность газона неровная.

Запуск изделия

1. Убедитесь, что кабель подсоединен к свече зажигания.
2. Стойте сзади изделия.
3. Прижмите рукоятку тормоза двигателя к рукоятке. (Рис. 26)
4. Держите ручку шнура стартера правой рукой.
5. Медленно потяните за шнур стартера, пока не почувствуете некоторое сопротивление.
6. Резко потяните трос, чтобы завести двигатель.



ПРЕДУПРЕЖДЕНИЕ: Не накручивайте шнур стартера вокруг руки.

Использование привода колес LC 151S & LB 256SP

- Потяните петлю привода в направлении рукоятки. (Рис. 27)
- Отпустите петлю привода, чтобы отключить привод, например, при приближении к препятствию.
- Прежде чем потянуть изделие назад, отключите привод и толкните изделие вперед примерно на 10 см.

Использование привода колес (LB 251S)

- Потяните рычаг привода в направлении рукоятки. (Рис. 28)

- Отведите рычаг привода в сторону от рукоятки, чтобы отключить привод, например, при приближении к препятствию.

Примечание: Рычаг привод автоматически переходит в положение выключения при отпуске рукоятки тормоза двигателя.

- Перед тем, как потянуть изделие назад, отведите рычаг привода в сторону от рукоятки и переместите изделие вперед примерно на 10 см, чтобы полностью отключить привод.

Остановка изделия

- Чтобы остановить только привод, отпустите петлю привода (LC 151S, LB 256SP) или рычаг привода (LB 251S).
- Чтобы остановить двигатель, отпустите рукоятку тормоза двигателя.

Использование изделия с травосборником (LC 151, LC 151S)



ПРЕДУПРЕЖДЕНИЕ: Не используйте изделие, если травосборник не установлен или задняя крышка не закрыта. Предметы могут быть отброшены, что приведет к травмированию оператора.

1. Поднимите заднюю крышку и снимите пробку для мульчирования (при наличии). (Рис. 29)
2. Соберите травосборник, см. раздел *Установка травосборника (LC 151, LC 151S)* на стр. 323.
3. Установите травосборник на кронштейн.
4. Отпустите заднюю крышку и разместите ее на верхней части рамы мешка травосборника. (Рис. 30)

Переоснащение изделия для его использования в режиме мульчирования (LC 151, LC 151S)

Перед переоснащением изделия для работы в режиме мульчирования убедитесь, что двигатель выключен.

1. Поднимите заднюю крышку и снимите травосборник (при наличии).
2. Вставьте пробку для мульчирования в канал для выброса травы. (Рис. 31)
3. Закройте заднюю крышку и убедитесь, что она плотно прижата к пробке для мульчирования.
4. Замените нож ножом для мульчирования, поставляемым в составе комплекта для мульчирования. См. раздел *Замена ножа* на стр. 327.

Переоснащение изделия для его использования в режиме бокового выброса

1. Поднимите заднюю крышку и снимите мешок травосборника (при наличии).
2. Закройте заднюю крышку и убедитесь, что она плотно прижата к изделию.
3. Поднимите фиксатор узла выброса. (Рис. 32)
4. Откройте крышку бокового выброса и установите дефлектор бокового выброса на опорные штифты. (Рис. 33)
5. Дайте крышке бокового выброса опуститься к дефлектору бокового выброса. Перед началом работы с изделием убедитесь, что дефлектор бокового выброса надежно установлен.

Опорожнение травосборника



ВНИМАНИЕ: При перемещении поднимите травосборник для предотвращения износа.

1. Поднимите травосборник с помощью ручки рамы.
2. При опорожнении травосборника используйте ручку рамы и ручку сборника. (Рис. 34)

Достижение оптимальных результатов

- Всегда пользуйтесь хорошо заточенным ножом. Затупившийся нож будет стричь траву неровно, и в месте среза трава будет желтеть. При использовании острого ножа также затрачивается меньше энергии, чем при работе с затупившимся ножом.
- Не срезайте более $\frac{1}{2}$ всей длины травы. При начале кошения устанавливайте максимальную высоту стрижки. Проверьте полученный результат и уменьшите высоту стрижки до необходимого уровня. Если трава высокая, передвигайте газонокосилку медленно. При необходимости выполните кошение дважды.
- Если вы хотите избежать образования полос на вашем газоне, следует каждый раз стричь его в разных направлениях.
- Поднимите заднюю крышку и снимите травосборник.
- Снимите установленные пробку и нож для мульчирования.
- Прежде чем включить агрегат, закройте заднюю крышку. Во время работы агрегата срезанная трава выбрасывается под заднюю крышку.

Техническое обслуживание

Введение



ПРЕДУПРЕЖДЕНИЕ: Перед выполнением техобслуживания необходимо внимательно изучить и понять раздел безопасности.

Для выполнения любых работ по сервисному обслуживанию и ремонту изделия необходимо пройти специальное обучение. Мы гарантируем доступность услуг по профессиональному ремонту и сервисному обслуживанию. Если ваш дилер не занимается сервисным обслуживанием, обратитесь к нему для получения информации о ближайшем сервисном центре.



ВНИМАНИЕ: При наклоне изделия следите за тем, чтобы воздушный фильтр был сверху, а не был обращен в сторону земли. Это может привести к повреждению двигателя.

График технического обслуживания рассчитан исходя из ежедневного использования изделия. Если изделие не используется ежедневно, интервалы техобслуживания изменятся.

Сведения о техническом обслуживании, отмеченном знаком *, см. в инструкциях в разделе *Защитные устройства на изделии на стр. 321*.

Техническое обслуживание	Ежедневно	Ежемесячно	Каждый сезон
Выполните общий осмотр	X		
Проверьте уровень масла	X		
Замените масло (первый раз через 5 часов использования, затем через каждые 50 часов использования) ¹⁴⁸			X

¹⁴⁸ Если изделие эксплуатируется с большой нагрузкой или при высокой температуре окружающей среды, заменяйте моторное масло каждые 25 часов.

Техническое обслуживание	Ежедневно	Ежемесячно	Каждый сезон
Очистите изделие	X		
Проверьте режущее оборудование	X		
Проверьте режущую деку *	X		
Проверьте рукоятку тормоза двигателя *	X		
Проверьте глушитель *		X	
Проверьте свечу зажигания. Очистите или замените свечу зажигания при необходимости			X
Проверьте воздушный фильтр	X		
Очистите воздушный фильтр ¹⁴⁹		X	
Замените воздушный фильтр			X
Проверьте топливную систему			X
Очистите охлаждающие ребра цилиндра		X	
Осмотрите и отрегулируйте трос сцепления (LC 151S, LB 251S, LB 256SP)			X
Очистите область под крышкой трансмиссии (LB 251S)			X

Выполнение общего осмотра

- Проверьте натяжку гаек и винтов на изделии.

Очистка изделия снаружи

- Используйте щетку для удаления листьев, травы и грязи.
- Убедитесь, что воздухозаборник в верхней части двигателя не заблокирован.
- Не используйте моечный агрегат высокого давления для чистки устройства.
- Если вы используете воду для очистки изделия, не допускайте попадания воды непосредственно на двигатель.

Очистка внутренней поверхности режущей деки

- Опорожните топливный бак.
- Наклоните изделие. Убедитесь, что свеча зажигания направлена вверх.



ВНИМАНИЕ: Если положить изделие так, что воздушный фильтр будет направлен вниз, можно повредить двигатель.

- Промойте водой из шланга внутренние поверхности режущей деки.

Очистка области под крышкой трансмиссии (LB 251S)

- Опорожните топливный бак.
- Наклоните изделие. Убедитесь, что свеча зажигания направлена вверх.



ВНИМАНИЕ: Если положить изделие так, что воздушный фильтр будет направлен вниз, можно повредить двигатель.

- Отверните 7 винта. (Рис. 35)
- Снимите крышку трансмиссии.
- Очистите поверхность щеткой.



ВНИМАНИЕ: Попадание воды или загрязнений под крышку трансмиссии может привести к повреждению трансмиссии.

- Установите крышку трансмиссии и 7 винтов.

Проверка режущего оборудования



ПРЕДУПРЕЖДЕНИЕ: Во избежание непреднамеренного запуска отсоедините кабель от свечи зажигания.

¹⁴⁹ В пыльных условиях или при наличии загрязнений в воздухе проводите очистку чаще. Замените воздушный фильтр, если он сильно загрязнен



ПРЕДУПРЕЖДЕНИЕ: Надевайте защитные перчатки при техобслуживании режущего оборудования. Нож очень острый, что при неосторожном обращении может легко привести к порезам.

1. Проверьте режущее оборудование на наличие повреждений или трещин. Всегда заменяйте поврежденное режущее оборудование.
2. Осмотрите нож на наличие повреждений или следов притупления.

Примечание: После заточки ножа необходимо выполнить его балансировку. Обратитесь в сервисный центр для выполнения заточки, замены и балансировки ножа. При столкновении с препятствием, которое привело в остановку изделия, замените поврежденный нож. Сервисный центр должен определить, следует ли заточить нож или лучше его заменить.

Замена ножа

1. Заблокируйте нож деревянным бруском. (Рис. 36)
2. Снимите болт ножа.
3. Снимите нож.
4. Проверьте опору и болт ножа на наличие повреждений.
5. Проверьте вал двигателя на наличие деформации.
6. При установке нового ножа находящиеся под углом края должны быть обращены в направлении режущей деки. (Рис. 37)
7. Убедитесь, что нож совмещен с центром вала двигателя.
8. Заблокируйте нож деревянным бруском. Установите пружинную шайбу и затяните болт с шайбой моментом 43 – 47 Нм. (Рис. 38)
9. Проверните нож рукой и убедитесь, что он свободно вращается.



ПРЕДУПРЕЖДЕНИЕ: Используйте прочные перчатки. Нож очень острый, что при неосторожном обращении может легко привести к порезам.

10. Запустите изделие, чтобы проверить работу ножа. Если нож установлен неправильно, вы ощутите вибрацию изделия, или результат стрижки будет неудовлетворительным.

Проверка уровня масла



ВНИМАНИЕ: Слишком низкий уровень масла может привести к повреждениям двигателя. Проверьте уровень масла перед запуском изделия.

1. Расположите изделие на ровной поверхности.
2. Снимите крышку масляного бака вместе с щупом.
3. Очистите щуп от масла.
4. Поместите щуп полностью в масляный бак, чтобы получить достоверную информацию об уровне масла.
5. Извлеките щуп.
6. Проверьте уровень масла на щупе.
7. Если уровень масла низкий, залейте моторное масло и проверьте уровень масла еще раз.

Замена моторного масла



ПРЕДУПРЕЖДЕНИЕ: Моторное масло очень горячее сразу после останова двигателя. Дайте двигателю остыть, прежде чем сливать моторное масло. При попадании моторного масла на кожу смойте его мылом и водой.

(Рис. 39)

1. Запустите изделие до полного расхода топлива в баке.
2. Отсоедините провод от свечи зажигания.
3. Снимите крышку масляного бака.
4. Поместите емкость под изделие для сбора моторного масла.
5. Наклоните изделие, чтобы слить моторное масло из масляного бака.
6. Заправьте бак новым моторным маслом; используйте тип масла, рекомендованный в *Технические данные на стр. 331*.
7. Проверьте уровень моторного масла. См. раздел *Проверка уровня масла на стр. 327*.

Проверка свечи зажигания



ВНИМАНИЕ: Всегда используйте только указанный тип свечи. Использование неправильного типа свечи зажигания может привести к повреждению изделия.

- Проверьте свечу зажигания, если двигатель не набирает мощность, плохо заводится или плохо работает на холостых оборотах.
- Чтобы уменьшить риск появления нежелательного материала на электродах свечи зажигания, соблюдайте следующие инструкции:
 - a) Убедитесь в правильности регулировки частоты оборотов холостого хода.
 - b) Убедитесь, что используется надлежащая топливная смесь.
 - c) Убедитесь, что воздушный фильтр чист.
- Если свеча зажигания загрязнена, очистите ее и проверьте зазор между электродами, см. раздел *Технические данные на стр. 331*. (Рис. 40)

- При необходимости замените свечу зажигания.

Воздушный фильтр

Загрязнение воздушного фильтра может привести к повреждению или неправильной работе двигателя. При работе в пыльных условиях необходимо чаще выполнять обслуживание воздушного фильтра. Информацию об интервалах замены воздушного фильтра см. в разделе *Техническое обслуживание на стр. 325*.

Примечание: Всегда заменяйте поврежденный воздушный фильтр.

Снятие и установка воздушного фильтра



ПРЕДУПРЕЖДЕНИЕ: Используйте защитные перчатки.

1. Нажмите на фиксаторы на крышке воздушного фильтра.
2. Осторожно снимите крышку воздушного фильтра (А) с двигателя.
3. Снимите воздушный фильтр (В). (Рис. 41)
4. Проверьте воздушный фильтр на наличие повреждений. Замените поврежденный воздушный фильтр.
5. Очистите и проверьте воздушный фильтр. См. раздел *Очистка воздушного фильтра на стр. 328*.
6. Установка выполняется в обратной последовательности.

Очистка воздушного фильтра

Загрязнение воздушного фильтра может привести к повреждению или неправильной работе двигателя. При работе в пыльных условиях необходимо чаще выполнять обслуживание воздухоочистителя.

Информацию об интервалах замены воздушного фильтра см. в разделе *Техническое обслуживание на стр. 325*.

1. Снимите крышку воздушного фильтра и фильтр.
2. Очистите фильтр, постукивая его о плоскую поверхность. Ни в коем случае не используйте для очистки фильтра растворители, содержащие бензин, керосин, а также сжатый воздух.

Примечание: После длительной эксплуатации воздушные фильтры не могут быть очищены полностью. Регулярно выполняйте замену

воздушного фильтра. Поврежденные воздушные фильтры необходимо заменять.

3. При сборке воздушного фильтра убедитесь, что он плотно прилегает к держателю фильтра.

Проверка дефлектора бокового выброса

Дефлектор бокового выброса крепится к отверстию бокового выброса на изделии. Он снижает риск отбрасывания предметов в направлении рабочего положения оператора.

1. Убедитесь, что дефлектор бокового выброса не поврежден.
2. Осмотрите дефлектор бокового выброса. Убедитесь в отсутствии дефектов, таких как трещины или сломанные пружины, которые закрывают дверцу.
3. В случае повреждения замените дефлектор бокового выброса или пружины.

Проверка топливной системы

- Проверьте крышку топливного бака и уплотнение крышки топливного бака на наличие повреждений.
- Проверьте топливный шланг на наличие утечек. Если топливный шланг поврежден, обратитесь в сервисный центр для его замены.

Регулировка троса сцепления (LC 151S, LB 251S, LB 256SP)

В следующих ситуациях необходимо уменьшить длину троса сцепления:

- Привод колес не включается при вытягивании петли привода или использовании рычага управления скоростью.
- При включении привода колес изделие движется медленно.

В следующих ситуациях необходимо увеличить длину троса сцепления:

- Изделие движется, когда привод колес не включен.
- Регулировка троса сцепления.
 - a) Чтобы уменьшить длину троса сцепления, поверните регулировочный винт против часовой стрелки.
 - b) Чтобы увеличить длину троса сцепления, поверните регулировочный винт по часовой стрелке. (Рис. 42)

Если после регулировки изделие по-прежнему движется ненадлежащим образом, обратитесь к дилеру по обслуживанию

Поиск и устранение неисправностей двигателя

Проблема	Возможная причина	Решение
Двигатель не запускается.	Кабель зажигания подсоединен неправильно.	Подсоедините кабель зажигания к свече зажигания.
	Топливный бак пуст.	Заполните топливный бак топливом соответствующего типа.
	Старое топливо.	Опорожните топливный бак и карбюратор. Заправьте свежим бензином.
	Грязь в карбюраторе или топливопроводе.	Очистите карбюратор и/или топливопровод.
	Неисправна свеча зажигания.	Отрегулируйте зазор между электродами, очистите или замените свечу зажигания.
	Топливо попало на свечу зажигания.	Очистите свечу зажигания.
Двигатель не останавливается.	Механизм останова неисправен.	Отсоедините кабель от свечи зажигания. Обратитесь в авторизованный сервисный центр для выполнения ремонта изделия.
Двигатель работает рывками.	Кабель зажигания подсоединен неправильно.	Подсоедините кабель зажигания к свече зажигания.
	В топливопроводе присутствует грязь, или топливо просрочено.	Очистите топливопровод. Залейте в топливный бак новое топливо подходящего типа.
	Крышка топливного бака засорена.	Очистите крышку топливного бака.
	В топливной системе присутствует вода или грязь.	Опорожните топливный бак. Залейте в топливный бак новое топливо подходящего типа.
	Воздушный фильтр загрязнен.	Очистите воздушный фильтр.
	Необходимо отрегулировать карбюратор.	Обратитесь в сервисный центр для выполнения регулировки карбюратора.
Двигатель перегрет.	Слишком низкий уровень моторного масла.	Залейте моторное масло.
	Недостаточный поток воздуха.	Очистите воздушный фильтр и корпус воздушного фильтра.
	Необходимо отрегулировать карбюратор.	Обратитесь в сервисный центр для выполнения регулировки карбюратора.
При работе на высокой скорости в двигателе возникают пропуски зажигания.	Зазор между электродами свечи зажигания слишком мал.	Отрегулируйте зазор между электродами.

Проблема	Возможная причина	Решение
Необычные шумы двигателя при нормальной нагрузке.	Неправильный тип бензина.	Опорожните топливный бак и карбюратор. Заправьте свежим бензином. См. раздел <i>Заправка топливом на стр. 323</i> . Если не удается устранить неисправность, обратитесь в местный сервисный центр.
Некорректная работа двигателя на холостых оборотах.	Свеча зажигания загрязнена, неисправна, или зазор между электродами слишком большой.	Отрегулируйте зазор между электродами или замените свечу зажигания.
	Необходимо отрегулировать карбюратор.	Отрегулируйте карбюратор.
	Воздушный фильтр загрязнен.	Очистите воздушный фильтр.

Транспортировка, хранение и утилизация

Транспортировка и хранение

- Перед помещением на хранение и транспортировкой изделия и топлива убедитесь в отсутствии утечек или испарения топлива. Искры или источники открытого огня, например, от электрических устройств или котлов, могут привести к пожару.
- Всегда используйте рекомендованные контейнеры для хранения и транспортировки топлива.
- Перед помещением изделия на длительное хранение опорожните топливный бак. Утилизируйте топливо в специально предназначенном для этого месте.
- Надежно закрепите изделие на время транспортировки для предотвращения повреждений или аварий.
- Храните изделие в запечатом помещении для предотвращения доступа к изделию детей или посторонних лиц.
- Храните изделие в сухом и защищенном от низких температур месте.

Утилизация

- Соблюдайте местное законодательство и действующие нормы в области переработки.
- Утилизируйте все химические вещества, такие как моторное масло или топливо, в сервисном центре или в специально предназначенном для этого месте.
- Если изделие больше не эксплуатируется, отправьте его дилеру Husqvarna или утилизируйте в пункте переработки.

Технические данные

Технические данные

	LC 151	LC 151S	LB 251S	LB 256SP
Двигатель				
Марка	Husqvarna	Husqvarna	Husqvarna	Husqvarna
Тип двигателя	Одноцилиндровый, 4-тактный, с принудительным воздушным охлаждением, OHV	Одноцилиндровый, 4-тактный, с принудительным воздушным охлаждением, OHV	Одноцилиндровый, 4-тактный, с принудительным воздушным охлаждением, OHV	Одноцилиндровый, 4-тактный, с принудительным воздушным охлаждением, OHV
Рабочий объем, см ³	166	166	166	166
Частота вращения, об/мин	2800	2800	2800	2800
Номинальная мощность двигателя, кВт ¹⁵⁰	2,7	2,7	2,7	2,7
Система зажигания				
Свеча зажигания	Husqvarna HQT-7	Husqvarna HQT-7	Husqvarna HQT-7	Husqvarna HQT-7
Зазор между электродами, мм	0,7-0,8	0,7-0,8	0,7-0,8	0,7-0,8
Топливная система и система смазки				
Тип смазки двигателя	Разбрызгивание	Разбрызгивание	Разбрызгивание	Разбрызгивание
Емкость топливного бака, л	1,0	1,0	1,0	1,0
Емкость масляного бака, л	0,5	0,5	0,5	0,5
Моторное масло ¹⁵¹	Husqvarna SAE 30	Husqvarna SAE 30	Husqvarna SAE 30	Husqvarna SAE 30
Вес				
С пустыми баками, кг	31,1	32,6	32,0	33,1
Излучение шума¹⁵²				
Уровень мощности звука, измеренный, дБ (А)	96	96	95	97

¹⁵⁰ Указанная номинальная мощность двигателя — это средняя полезная мощность типичного серийного двигателя при указанной частоте вращения (об/мин) для определенной модели двигателя, измеренная в соответствии со стандартом SAE J1349/ISO1585. Показатели двигателей массового производства могут отличаться от этого значения. Фактическая выходная мощность двигателя, установленного на определенном изделии, зависит от рабочей скорости, условий окружающей среды и других параметров.

¹⁵¹ Если при температуре ниже +5 °C используется масло SAE-30, существует риск того, что смазка двигателя будет недостаточной. Это может привести к повреждению двигателя. Информацию о масле, подходящем для использования при низких температурах, см. в *Замена моторного масла на стр. 327*.

¹⁵² Излучение шума в окружающую среду измеряется как мощность звука (L_{WA}) согласно директиве EC 2000/14/EC.

	LC 151	LC 151S	LB 251S	LB 256SP
Уровень мощности звука, гарантированный, L_{WA} , дБ(А)	98	98	96	98
Уровни шума ¹⁵³				
Уровень шумового давления на уши оператора, дБ(А)	86	86	82	86
Уровни вибрации ¹⁵⁴				
Вибрации на рукоятке, m/s^2	8,5	8,5	4,7	7,5
Режущее оборудование				
Высота стрижки, мм	25–75	25–75	25–75	25–75
Ширина стрижки, мм	510	510	510	560
Режущий механизм	Сбор / BioClip® / Боковой выброс	Сбор / BioClip® / Боковой выброс	BioClip® / Боковой выброс	BioClip® / Боковой выброс
Нож (стандартный)	Collection 598562601	Collection 598562601	Mulch 597683901	Mulch 598563601
Нож (опциональный)	Mulch 597683901	Mulch 597683901	–	–
Емкость травосборника, л	65	65	–	–
Привод				
Скорость самостоятельного хода, км/ч	–	3,6	4,0	3,6

¹⁵³ Указанные данные об уровне шумового давления имеют типичный статистический разброс (стандартное отклонение) в 1,2 дБ (А).

¹⁵⁴ Указанные данные об уровне вибрации имеют типичный статистический разброс (стандартное отклонение) 0,2 m/s^2 .

Декларация соответствия ЕС

Декларация соответствия ЕС

Husqvarna AB, SE-561 82 Huskvarna, Швеция, тел.: +46-36-146500, настоящим заявляет, что **газонокосилка Husqvarna LC 151, LC 151S, LB 251S, LB 256SP** 2020 года выпуска и далее соответствует требованиям ДИРЕКТИВЫ СОВЕТА ЕС:

- от 8 июня 2011 года "об ограничении по использованию опасных веществ" **2011/65/EU**
- от 17 мая 2006 года "о механическом оборудовании" **2006/42/EC**
- от 26 февраля 2014 года "об электромагнитной совместимости" **2014/30/EU**
- от 8 мая 2000 года "об излучении шума в окружающую среду" **2000/14/EC**

Информация по излучению шума представлена в разделе "Технические данные".

Применяются следующие стандарты:

EN ISO 5395-1:2013, EN ISO 5395-1:2013/A1, EN ISO 5395-2:2013, EN ISO 5395-2:2013/A1:2016, EN ISO 5395-2:2013/A2:2017, EN ISO 14982:2009

Если не указано иначе, подразумевается последняя опубликованная редакция стандартов.

Уполномоченная организация (LC 151, LC 151S, LB 256SP): **0036, TÜV SÜD Industrie Service GmbH, Westendstrasse 199, 80686 München, Germany** произвела оценку соответствия согласно приложению VI к Директиве 2000/14/EC.

Уполномоченная организация (LB 251S): **0404, RISE SMP Svensk Maskinprovning AB, Box 7035, SE-750 07 Uppsala, Sweden** произвела оценку соответствия согласно приложению VI к Директиве 2000/14/EC.

Huskvarna, 2020-10-20



Клаес Лосдал (Claes Losdal), директор Отдела разработки/Садовая техника (Уполномоченный представитель Husqvarna AB и ответственный за техническую документацию)

141400, Московская обл., Г. Химки, ул. Ленинградская, владение 39, строение 6, здание II этаж 4, помещение OB02_04, телефон горячей линии 8-800-200-1689

Obsah

Úvod.....	334	Riešenie problémov s motorom.....	344
Bezpečnosť.....	335	Preprava, skladovanie a likvidácia.....	345
Montáž.....	338	Technické údaje.....	346
Prevádzka.....	338	ES vyhlásenie o zhode.....	348
Údržba.....	340		

Úvod

Popis výrobku

Tento výrobok je rotačná kosačka na trávu s chodiacou obsluhou. Pre LC 151, LC 151S pripevníte zberný kôš na zachytávanie trávy. Pripevníte bočný vyhadzovací deflektor na bočné vyhadzovanie trávy. Pre LC 151, LC 151S použijte mulčovaciu súpravu a trávu nasekáte na hnojivo.

Prehľad výrobku

(Obr. 1)

1. Rukoväť
2. Rukoväť motorovej brzdy
3. Páka pohonu (LC 151S, LB 256SP)
4. Páka pohonu (LB 251S)
5. Zadný kryt (LC 151, LC 151S)
6. Zberný kôš (LC 151, LC 151S)
7. Gombíky výšky rukoväti
8. Páka výšky rezu
9. Uzáver nádrže na olej s olejovou mierkou
10. Kryt bočného vyhadzovania
11. Tlmič výfuku
12. Zapaľovacia sviečka
13. Karburátor
14. Uzáver palivovej nádrže
15. Symboly
16. Kryt rezacej časti
17. Vzduchový filter
18. Bočný deflektor
19. Mulčovacia súprava (príslušenstvo pre LC 151, LC 151S)
20. Držadlo štartovacieho lanka
21. Návod na obsluhu

Symboly na výrobku

- (Obr. 2) **UPOZORNENIE!** Postupujte opatrne a používajte výrobok správnym spôsobom. Tento výrobok môže spôsobiť vážne poranenie alebo usmrtenie obsluhujúceho pracovníka alebo iných osôb.

Plánované použitie

Produkt používajte na kosenie trávy. Výrobok nepoužívajte na iné účely.

- (Obr. 3) Skôr než začnete stroj používať, pozorne si prečítajte návod na obsluhu a presvedčíte sa, že ste porozumeli jeho obsahu.
- (Obr. 4) Dávajte pozor na vymrštené predmety a spätné nárazy.
- (Obr. 5) Dbajte na to, aby osoby a zvieratá nevstupovali do pracovnej oblasti.
- (Obr. 6) Upozornenie: Udržiavajte ruky a chodidlá mimo dosahu rotujúceho noža.
- (Obr. 7) Upozornenie: Udržiavajte ruky a chodidlá mimo dosahu rotujúcich častí.
- (Obr. 8) Pred vykonávaním opráv a údržby vypnite motor a odpojte kábel zapaľovania.
- (Obr. 9) Tento výrobok je v súlade s príslušnými smernicami ES.
- (Obr. 10) Hlukové emisie do okolia sú v súlade so smernicou Európskeho spoločenstva. Emisie výrobku sú špecifikované v kapitole s technickými údajmi tohto návodu a na štítku.
- (Obr. 11) Hrozí nebezpečenstvo požiaru.
- (Obr. 12) Nevdychujte výfukové plyny. Výfukové plyny z motora obsahujú oxid uhoľnatý, plyn bez zápachu, ktorý je jedovatý a veľmi nebezpečný. Motor neštartujte v interiéri ani v uzavretých priestoroch.
- (Obr. 13) Horúci povrch.

(Obr. 14) Pred štartovaním výrobku naplňte motor olejom.

Poznámka: Ostatné symboly/emblémy na výrobku odkazujú na požiadavky certifikácie pre niektoré komerčné oblasti.

Zodpovednosť za výrobok

V súlade s právnymi predpismi upravujúcimi zodpovednosť za výrobok nenesieme zodpovednosť za škody spôsobené našim výrobkom v dôsledku:

- nesprávne vykonanej opravy výrobku,

- opravy výrobku, pri ktorej neboli použité diely od výrobcu alebo diely schválené výrobcom,
- používania príslušenstva od iného výrobcu alebo príslušenstva, ktoré nie je schválené výrobcom,
- opravy výrobku, ktoré neboli vykonané v schválenom servisnom stredisku alebo schválenými kompetentnými osobami.

Emisie Euro V



VÝSTRAHA: Nepovolená manipulácia s motorom ruší platnosť typového schválenia tohto výrobku pre EÚ.

Bezpečnosť

Bezpečnostné definície

Výstrahy, upozornenia a poznámky slúžia na zdôraznenie mimoriadne dôležitých častí návodu.



VÝSTRAHA: Používa sa, ak pre obsluhu alebo osoby v okolí existuje nebezpečenstvo poranenia alebo smrti v prípade nedodržania pokynov v návode.



VAROVANIE: Používa sa, ak hrozí nebezpečenstvo poškodenia produktu, iných materiálov alebo okolitej oblasti v prípade nedodržania pokynov v návode.

Poznámka: Používa sa na poskytnutie informácií nad rámec nevyhnutných informácií v danej situácii.

Všeobecné bezpečnostné pokyny



VÝSTRAHA: Skôr než budete výrobok používať, prečítajte si nasledujúce výstrahy.

- Tento výrobok je nebezpečný, ak sa nepoužíva správne alebo ak nie ste pri jeho používaní opatrní. V prípade nedodržania bezpečnostných pokynov hrozí poranenie alebo usmrtenie.
- Tento výrobok vytvára počas prevádzky elektromagnetické pole. Toto pole môže za určitých okolností spôsobovať rušenie aktívnych alebo pasívnych implantovaných lekárskeho prístrojov. Na zníženie rizika vážneho alebo smrteľného zranenia odporúčame, aby sa osoby s implantovanými lekárskeho prístrojmi poradili so svojim lekárom a výrobcom pomôcky ešte pred použitím tohto výrobku.
- Vždy zachovávajte opatrnosť a riadte sa zdravým úsudkom. Ak si v určitých situáciách nie ste istí, ako máte výrobok používať, výrobok nepoužívajte a pred

pokračovaním v práci sa poraďte s predajcom spoločnosti Husqvarna.

- Myslite na to, že operátor bude zodpovedný za nehody zahŕňajúce iné osoby alebo ich majetok.
- Výrobok udržiavajte čistý. Uistite sa, že sú symboly a emblémy čitateľné.
- Nedovoľte, aby výrobok používali iné osoby, pokiaľ sa neustíte, že si prečítali tento návod na obsluhu a porozumeli jeho obsahu.
- Nedovoľte, aby výrobok používali deti.
- Deti držte v bezpečnej vzdialenosti od pracovnej oblasti. Vyžaduje sa neustála prítomnosť zodpovednej dospelé osoby.
- Nedovoľte, aby výrobok používali osoby, ktoré nepoznajú potrebné pokyny.
- Osoby so zníženými fyzickými alebo duševnými schopnosťami musia byť počas používania výrobku vždy pod dozorom. Vyžaduje sa neustála prítomnosť zodpovednej dospelé osoby.
- Výrobok nepoužívajte, ak ste unavení, chorí alebo ste pod vplyvom alkoholu, drog alebo liekov. Vyššie uvedené prípady majú negatívny vplyv na váš zrak, ostražitosť, koordináciu a úsudok.
- Výrobok nepoužívajte, ak je poškodený.
- Výrobok žiadnym spôsobom neupravujte ani nepoužívajte, ak existuje možnosť, že bol upravený inými osobami.
- Nemeňte nastavenie regulácie otáčok motora.

Bezpečnosť na pracovisku



VÝSTRAHA: Skôr než budete používať produkt, prečítajte si nasledujúce výstrahy.

- Pred používaním výrobku odstráňte z pracovnej oblasti všetky predmety, ako sú napr. konáre, vetvy a kamene.
- Predmety, ktoré narazia na rezné zariadenie, môžu byť vymrštené a spôsobiť poranenie osôb alebo poškodenie iných predmetov. Dávajte pozor, aby

okolo stojace osoby a zvieratá nevstupovali do pracovnej oblasti.

- Výrobok nikdy nepoužívajte počas nepriaznivých poveternostných podmienok, napríklad v hmle, v daždi, v silnom vetre, v silnom mraze, pri vysokom riziku blyskania. Používanie výrobku počas nepriaznivých poveternostných podmienok alebo na vlhkých alebo mokrych miestach je namáhavé. Nepriaznivé poveternostné podmienky môžu mať za následok vznik nebezpečných podmienok, akými sú napr. klzké povrchy.
- Dávajte pozor na osoby, predmety a situácie, ktoré môžu zamedziť bezpečnej prevádzke výrobku.
- Dávajte pozor na prekážky, ako sú napr. korene, kamene, halúzky, jamy a priekopy. Vysoká tráva môže zakrývať prekážky.
- Kosenie trávy na svahoch môže byť nebezpečné. Výrobok nepoužívajte na svahoch so sklonom viac ako 15 °.
- S výrobkom sa pohybujte po vrstevnici. Nepohybujte sa smerom do svahu a zo svahu.
- V blízkosti skrytých rohov a objektov, ktoré vám bránia vo výhľade, sa pohybujte opatrne.

Bezpečnosť pri práci



VÝSTRAHA: Skôr než budete výrobok používať, prečítajte si nasledujúce výstrahy.

- Tento výrobok používajte len na kosenie trávy. Výrobok sa nesmie používať na iné úlohy.
- Používajte osobné ochranné pomôcky. Pozrite si časť *Osobné ochranné prostriedky na strane 336*.
- Naučte sa, ako v prípade núdze rýchlo zastaviť motor.
- Nikdy neštartujte motor v uzavretých priestoroch alebo v blízkosti horľavého materiálu. Výfukové plyny z motora sú horúce a môžu obsahovať iskry, ktoré môžu vyvolať požiar.
- Výrobok nepoužívajte, pokiaľ nie sú nôž a všetky kryty správne upevnené. Nesprávne pripojený nôž sa môže uvoľniť a spôsobiť poranenia osôb.
- Uistite sa, že nôž nenasadí na predmety, ako sú napr. kamene alebo korene. Môže dôjsť k poškodeniu noža a ohnutiú hriadeľa motora. Ohnutá náprava spôsobuje silné vibrácie a vzniká veľké nebezpečenstvo uvoľnenia noža.
- Ak nôž narazí na predmet alebo ak cítite vibrácie, výrobok okamžite vypnite. Odpojte kábel zapalovania od zapalovacej sviečky. Skontrolujte, či nie je výrobok poškodený. Opravte akékoľvek poškodenie alebo kontaktujte servisného zástupcu.
- Keď je naštartovaný motor, rukoväť motorovej brzdy nesmie byť nikdy trvalo pripevnená k rukoväti.
- Položte výrobok na stabilný, rovný povrch a naštartujte ho. Uistite sa, že sa nôž nedostane do kontaktu so zemou alebo inými predmetmi.
- Pri obsluhu vždy stojte za výrobkom.

- Pri obsluhu výrobku dávajte pozor, aby všetky kolesá dosadali na zem a rukoväť držte oboma rukami. Udržiavajte ruky a chodidlá mimo dosahu rotujúcich nožov.
- Keď je motor spustený, výrobok nenakláňajte.
- Pri ťahaní výrobku smerom dozadu buďte opatrní.
- Výrobok nikdy nedvíhajte, keď je spustený motor. Ak musíte výrobok zdvihnúť, najprv vypnite motor a odpojte kábel zapalovania od zapalovacej sviečky.
- Počas obsluhy výrobku necúvajte.
- Pri prechádzaní cez oblasti bez trávy, ako sú napr. štrkové, kamenné a asfaltové chodníky, vypnite motor.
- Keď je zapnutý motor, s výrobkom neutekajte. Počas obsluhy výrobku vždy kráčajte.
- Pred zmenou výšky rezu zastavte motor. Nikdy nevykonávajte nastavenia so spusteným motorom.
- Nikdy nenechávajte výrobok bez dozoru, keď je zapnutý motor. Zastavte motor a uistite sa, že sa rezné zariadenie neotáča.

Bezpečnostné pokyny pre prevádzku

Osobné ochranné prostriedky



VÝSTRAHA: Skôr než budete výrobok používať, prečítajte si nasledujúce výstrahy.

- Osobné ochranné prostriedky nedokážu úplne vylúčiť riziko, ale môžu znížiť vážnosť zranenia v prípade nehody. Váš predajca vám pomôže pri výbere správnych prostriedkov.
- Ak hladina hluku je vyššia ako 85 dB, používajte chrániče sluchu.
- Noste odolné protišmykové topánky. Výrobok neobsluhujte v otvorených topánkach ani s bosými nohami.
- Noste dlhé odolné nohavice.
- Keď je to potrebné, používajte ochranné rukavice, ako napríklad pri montáži, kontrole alebo čistení rezného zariadenia.

Bezpečnostné zariadenia na výrobku



VÝSTRAHA: Skôr než budete produkt používať, prečítajte si nasledujúce výstrahy.

- Nepoužívajte produkt, ktorý má chybné bezpečnostné zariadenia.
- Pravidelne kontrolujte bezpečnostné zariadenia. Ak sú bezpečnostné zariadenia chybné, obráťte sa na servisného zástupcu spoločnosti Husqvarna.

Kontrola krytu rezacej časti

Kryt rezacej časti tlmi vibrácie vo výrobku a znižuje riziko poranenia kotúčom.

- Skontrolujte kryt rezacej časti, aby ste sa uistili, že na ňom nie sú žiadne známky poškodenia, ako sú napr. praskliny.

Kontrola rukoväte motorovej brzdy.

Rukoväť motorovej brzdy slúži na zastavenie motora. Keď rukoväť motorovej brzdy uvoľníte, motor sa zastaví.

- Naštartujte motor a potom uvoľnite rukoväť motorovej brzdy. Ak sa motor v priebehu 3 sekúnd nezastaví, požiadajte servisného zástupcu spoločnosti Husqvarna o nastavenie motorovej brzdy. (Obr. 15)

Kontrola zadného krytu

Zadný deflektor znižuje riziko vstupu predmetov od smeru prevádzky.

- Skontrolujte, či zadný kryt nie je poškodený.
- Skontrolujte, či pružiny, ktoré uzatvárajú zadný kryt, nie sú poškodené.
- Poškodené súčiastky a pružiny vymeňte.
- Skontrolujte, či sa zadný kryt hladko pohybuje na pántoch.

Timič výfuku

Timič výfuku slúži na udržiavanie minimálnej hladiny hluku a na smerovanie výfukových plynov smerom od operátora.

Nepoužívajte produkt, ak timič výfuku chýba alebo je poškodený. Poškodený timič výfuku zvyšuje hladinu hluku a riziko požiaru.



VÝSTRAHA: Timič výfuku je veľmi horúci počas prevádzky, po nej a tiež počas behu motora na voľnobeh. Zachovávajte opatnosť v okolí horľavých materiálov alebo výparov, aby ste nespôsobili požiar.

Kontrola timiča výfuku

- Pravidelne kontrolujte, či je timič výfuku správne pripevnený a či nie je poškodený.

Bezpečnosť paliva



VÝSTRAHA: Skôr než budete používať produkt, prečítajte si nasledujúce výstrahy.

- Výrobok neštartujte, ak sú na ňom zvyšky paliva alebo motorového oleja. Odstráňte neželané palivo/olej a nechajte výrobok vyschnúť.
- Ak vylejete palivo na odev, okamžite sa prelečte.
- Dávajte pozor, aby ste si palivo nevyliali na telo, pretože môže spôsobiť poranenie. Ak si palivo vylejete na telo, umyte sa pomocou mydla vody.
- Výrobok neštartujte, ak sa na motore vyskytuje netesnosť. Pravidelne kontrolujte výskyt netesností na motore.

- Pri manipulácii s palivom zachovajte opatnosť. Palivo je horľavá látka a výpary z paliva sú výbušné a môžu spôsobiť poranenia alebo smrť.
- Vyhňte sa vdychovaniu výparov paliva, pretože môžu spôsobiť poranenie. Zabezpečte dostatočné prúdenie vzduchu.
- V blízkosti paliva alebo motora nefajčite.
- Neukladajte do blízkosti paliva alebo motora teplé predmety.
- Nedopĺňajte palivo, keď je zapnutý motor.
- Pred dopĺňaním paliva sa uistite, že motor vychladol.
- Pred dopĺňaním paliva pomaly otvorte veko palivovej nádrže a opatrne uvoľnite tlak.
- Palivo do motora nedopĺňajte v interiéri. Nedostatočné prúdenie vzduchu môže spôsobiť poranenie alebo smrť v dôsledku udusenía alebo otravy oxidom uhoľnatým.
- Veko palivovej nádrže pevne utiahnite. Ak nie je veko palivovej nádrže pevne utiahnuté, existuje riziko vzniku požiaru.
- Pred naštartovaním premiestnite výrobok minimálne 3 m od miesta, kde ste doplnili palivo do nádrže.
- Palivovú nádrž nedopĺňajte úplne doplna. Teplo spôsobuje expanziu paliva. Uchovajte miesto navrchu palivovej nádrže.

Bezpečnostné pokyny pre údržbu



VÝSTRAHA: Skôr než budete používať produkt, prečítajte si nasledujúce výstrahy.

- Výfukové plyny z motora obsahujú oxid uhoľnatý, plyn bez zápachu, ktorý je jedovatý a veľmi nebezpečný. Motor neštartujte v interiéri ani v uzavretých priestoroch.
- Pred vykonávaním údržby výrobku zastavte motor a odpojte kábel zapalovania od zapalovacej sviečky.
- Pri vykonávaní údržby rezného zariadenia používajte ochranné rukavice. Čepel je veľmi ostrá a ľahko môže dôjsť k porezaniu.
- Príslušenstvo a úprava výrobku, ktoré neschválil výrobca, môžu spôsobiť vážne poranenia alebo smrť. Výrobok neupravujte. Vždy používajte príslušenstvo schválené výrobcom.
- Nepravidelná a nesprávne vykonaná údržba zvyšuje nebezpečenstvo poranenia a poškodenia výrobku.
- Vykonávajte len údržbu uvedenú v tomto návode na používanie. Všetky ostatné práce týkajúce sa údržby musí vykonávať schválený servisný zástupca spoločnosti Husqvarna.
- Výrobok nechajte pravidelne kontrolovať kvôli údržbe u schváleného servisného zástupcu spoločnosti Husqvarna.
- Vymeňte všetky poškodené, opotrebované alebo zlomené diely.

Montáž

Úvod



VÝSTRAHA: Pred zostavením výrobku si musíte prečítať kapitolu o bezpečnosti a porozumieť informáciám, ktoré sa v nej uvádzajú.



VÝSTRAHA: Pred zostavením výrobku od zapalovacej sviečky odpojte kábel zapalovacej sviečky.

Montáž rukoväti

1. Nasuňte skrutku (A) cez rukoväť (B), plastovú podložku (C) a podperu rukoväti (D). (Obr. 16)
2. Maticu (E) utiahnite na doraz.
3. Nasuňte skrutku (F) cez plastovú podložku (G) a podperu rukoväti. (Obr. 17)
4. Gombík (H) utiahnite na doraz.

Nastavenie rukoväti

1. Uvoľnite spodné gombíky.
2. Posuňte gombíky smerom k spodnej časti drážok na ľavej a pravej strane výrobku. (Obr. 18)
3. Nastavte výšku rukoväti do jednej z 2 dostupných polôh.
4. Posuňte gombíky nahor smerom k rukoväti, kým sa nezastavia a nebudete počuť kliknutie. (Obr. 19)

5. Gombíky utiahnite na doraz.

Nastavenie výrobku do transportnej polohy

1. Uvoľnite spodné gombíky.
2. Posuňte gombíky smerom k spodnej časti drážok na ľavej a pravej strane výrobku. (Obr. 18)
3. Skopte držadlo dopredu. (Obr. 20)

Nastavenie výrobku do prevádzkovej polohy

1. Vyklepte rukoväť do vzpriamenej polohy. (Obr. 21)
2. Posuňte gombíky nahor smerom k rukoväti, kým sa nezastavia a nebudete počuť kliknutie. (Obr. 19)
3. Gombíky utiahnite na doraz.

Zostavenie zberného koša (LC 151, LC 151S)

1. Pripojte rám zberného koša k vaku na trávu tak, aby pevná časť vaku bola na spodnej strane. Ponechajte rukoväť rámu na vonkajšej strane vaku. (Obr. 22)
2. Pripievňte vak na trávu do rámu pomocou svoriek. (Obr. 23)

Prevádzka

Úvod



VÝSTRAHA: Pred používaním výrobku si musíte prečítať kapitolu o bezpečnosti a porozumieť informáciám, ktoré sa v nej uvádzajú.

Husqvarna Connect

Husqvarna Connect je bezplatná aplikácia pre mobilné zariadenia. Aplikácia Husqvarna Connect prináša rozšírené funkcie pre výrobok Husqvarna:

- Rozšírené informácie o výrobku.
- Informácie a podpora vzťahujúce sa na súčasť výrobku a servis.

Ak chcete začať, použite Husqvarna Connect

1. Stiahnite si aplikáciu Husqvarna Connect do mobilného zariadenia.
2. Zaregistrujte sa v aplikácii Husqvarna Connect.

3. Ak chcete pripojiť a zaregistrovať produkt, postupujte podľa pokynov v aplikácii Husqvarna Connect.

Pred obsluhou zariadenia

1. Pozorne si prečítajte tento návod na obsluhu a uistite sa, že ste porozumeli pokynom.
2. Skontrolujte reznú zariadenie a uistite sa, že je správne upevnené a nastavené. Pozrite si kapitolu *Kontrola rezného zariadenia na strane 341*.
3. Nalejte palivo do palivovej nádrže. Pozrite si kapitolu *Doplňanie paliva na strane 338*.
4. Naplňte nádrž a skontrolujte hladinu oleja. Pozrite si kapitolu *Kontrola hladiny oleja na strane 342*.

Doplňanie paliva

Ak je to možné, používajte alkylátový benzín s nízkymi emisiami. Ak nemáte k dispozícii alkylátový benzín s nízkymi emisiami, použite vysokokvalitný bezolovnatý benzín alebo olivnatý benzín s oktanovým číslom minimálne 90.



VAROVANIE: Nepoužívajte benzín s oktánovým číslom menším než 90 RON (87 AKI). Mohlo by to viesť k poškodeniu výrobu.

1. Pomalým otvorením veka palivovej nádrže uvoľnite tlak.
2. S použitím kanistra opatrne doplňte palivo. Ak sa palivo vyleje, pomocou handričky ho utrite a zvyšné palivo nechajte vyschnúť. (Obr. 24)
3. Vyčistíte priestor okolo veka palivovej nádrže.
4. Veko palivovej nádrže pevne utiahnite. Ak nie je veko palivovej nádrže pevne utiahnuté, existuje riziko vzniku požiaru.
5. Pred spustením premiestnite výrobok minimálne 3 m od miesta, na ktorom ste dopĺňali palivo do nádrže.

Nastavenie výšky rezu

1. Ak chcete zvýšiť výšku rezu, posuňte páku výšky rezu smerom dozadu.
2. Ak chcete znížiť výšku rezu, posuňte páku výšky rezu smerom dopredu. (Obr. 25)



VAROVANIE: Nenastavujte výšku rezu príliš nízko. Ak nie je povrch trávnik rovny, nože môžu narážať o zem.

Zapnutie výrobku

1. Uistite sa, že je kábel zapaľovania pripojený k zapaľovacej sviečke.
2. Stojte za výrobkom.
3. Rukoväť motorovej brzdy držte oproti hornej rukoväti. (Obr. 26)
4. Pevne uchopte rukoväť štartovacieho lanka pravou rukou.
5. Pomaly potiahnite štartovacie lanko, kým nepocítite istý odpor.
6. Silným potiahnutím naštartujte motor.



VÝSTRAHA: Štartovacie lanko si neovíjajte okolo ruky.

Používanie pohonu na kolesách LC 151S & LB 256SP

- Potlačte páku pohonu smerom k hornej rukoväti. (Obr. 27)
- Uvoľnením páky pohonu deaktivujte pohon, napr. keď sa pohybujete v blízkosti prekážok.
- Pred potiahnutím výrobku smerom dozadu deaktivujte pohon a potlačte výrobok zhruba 10 cm dopredu.

Používanie pohonu na kolesách (LB 251S)

- Potiahnite páku pohonu smerom k rukoväti. (Obr. 28)
- Odsuňte páku pohonu od rukoväti, aby ste deaktivovali pohon, napr. keď sa blížite k prekážke.

Poznámka: Páka pohonu sa automaticky oddelí, keď uvoľníte rukoväť motorovej brzdy.

- Predtým potiahnutím výrobku smerom dozadu, odsuňte páku pohonu od rukoväti a potlačte výrobok zhruba 10 cm dopredu, aby ste úplne deaktivovali pohon.

Zastavenie výrobku

- Ak chcete zastaviť len pohon, uvoľníte páku pohonu (LC 151S, LB 256SP) alebo (LB 251S).
- Ak chcete vypnúť motor, uvoľníte rukoväť motorovej brzdy.

Používanie výrobku so zberným košom (LC 151, LC 151S)



VÝSTRAHA: Výrobok nepoužívajte bez nainštalovaného zberného koša alebo bez zatvoreného zadného krytu. Predmety môžu vyletieť a spôsobiť zranenie obsluhy.

1. Zdvihnute zadný kryt a vyberte mulčovacíu zarážku, ak je namontovaná. (Obr. 29)
2. Namontujte zberný kôš (pozrite si časť *Zostavenie zberného koša (LC 151, LC 151S) na strane 338*).
3. Umiestnite zberný kôš na podporu.
4. Uvoľníte zadný kryt a položte ho na vrchnú časť rámu vaku na trávu. (Obr. 30)

Zmena nastavenia výrobku do režimu mulčovania (LC 151, LC 151S)

Pred nastavením výrobku do režimu mulčovania skontrolujte, či je motor vypnutý.

1. Zdvihnute zadný kryt a vyberte zberný kôš, ak je namontovaný.
2. Do kanála na vyhadzovanie trávy vložte prípojku na mulčovanie. (Obr. 31)
3. Zatvorte zadný kryt a skontrolujte, či je pevne zatvorený proti mulčovacej zarážke.
4. Vymeňte nôž za mulčovací nôž dodávaný v súprave na mulčovanie. Pozrite si časť *Výmena noža na strane 342*.

Zmena nastavenia výrobku do režimu bočného vyhadzovania

1. Zdvihnute zadný kryt a vyberte vak na trávu, ak je namontovaný.

- Zatvorte zadný kryt a skontrolujte, či je pevne zatvorený proti výrobku.
- Zdvihnite vyhadzovaciu poistku. (Obr. 32)
- Otvorte kryt bočnej výsyvky a namontujte bočný vyhadzovací deflektor na podporné čapy. (Obr. 33)
- Počkajte, kým kryt bočnej výsyvky neklesne na bočný vyhadzovací deflektor. Kým sa začne výrobok používať, skontrolujte, či je bočný vyhadzovací deflektor pevne na svojom mieste.

Vyprázdnenie zberného koša



VAROVANIE: Pri premiestňovaní zdvihnite zberný kôš, aby ste predišli opotrebovaniu.

- Zberný kôš zdvihnite pomocou rukoväti rámu.
- Keď vyprázdňujete zberný kôš, používajte rukoväť konštrukcie a rukoväť vaku. (Obr. 34)

Zabezpečenie optimálnych výsledkov kosenia

- Vždy používajte ostrý nôž. Tupý nôž poskytuje nepravidelné výsledky kosenia a pokosený povrch trávnikova zožltne. Ostrý nôž spotrebuje menej energie ako tupý nôž.
- Nekoste viac ako 1/3 dĺžky trávy. Keď začínate kosiť trávu, používajte najvyššiu výšku rezu. Skontrolujte výsledok a znížte výšku rezu na príslušnú úroveň. Ak je tráva veľmi vysoká, pohybuje sa pomaly a ak je to potrebné, pokoste ju dvakrát.
- Zakaždým koste iným smerom, aby ste predišli vzniku pruhov na trávniku.
- Nadvihnite zadný kryt a vyberte zberný kôš.
- Ak sa používa mulčovacia zarážka a mulčovací nôž, demontujte ich.
- Pred používaním výrobku zatvorte zadný kryt. Pri používaní výrobku sa pokosená tráva vyhadzuje pod zadným krytom.

Údržba

Úvod



VÝSTRAHA: Pred vykonávaním akejkolvek údržby si musíte prečítať kapitolu o bezpečnosti a porozumieť jej.

Údržba a opravné práce na výrobku si vyžadujú špeciálne školenie. Zaručujeme dostupnosť profesionálnych opravných prác a údržby. Ak váš predajca nie je servisný zástupca, kontaktujte predajcu, ktorý vám poskytne informácie o najbližšom servisnom zástupcovi.

Plán údržby



VAROVANIE: Uistite sa, že vzduchový filter je na vrchnej strane výrobku a nie smerom do zeme, keď výrobok nakloníte. Hrozí nebezpečenstvo poškodenia motora.

Intervaly údržby sú vypočítané na základe každodenného používania výrobku. Ak sa výrobok nepoužíva každý deň, tieto intervaly sa menia.

Informácie o prvkoch údržby označených symbolom „*“ nájdete v pokynoch v časti *Bezpečnostné zariadenia na výrobku na strane 336*.

Údržba	Denne	Mesačne	Každú sezónu
Vykonajte všeobecnú kontrolu	X		
Skontrolujte hladinu oleja	X		
Vymeňte olej (prvýkrát po 5 hodinách používania, potom po každých 50 hodinách používania) ¹⁵⁵			X
Vyčistite výrobok	X		
Skontrolujte rezné zariadenie	X		

¹⁵⁵ Ak je produkt ťažko namáhaný alebo používaný pri vysokej teplote prostredia, motorový olej vymeňte každých 25 hodín.

Údržba	Denne	Mesačne	Každú sezónu
Skontrolujte kryt rezacej časti *	X		
Skontrolujte rukoväť motorovej brzdy *	X		
Skontrolujte tlmič výfuku *		X	
Skontrolujte zapalovaciu sviečku. V prípade potreby zapalovaciu sviečku vyčistite alebo vymeňte			X
Skontrolujte vzduchový filter	X		
Vyčistite vzduchový filter ¹⁵⁶		X	
Vymeňte vzduchový filter			X
Skontrolujte palivový systém			X
Vyčistite chladiace rebrá valca		X	
Skontrolujte a nastavte lanko spojky (LC 151S, LB 251S, LB 256SP)			X
Vyčistite priestor pod krytom prevodovky (LB 251S)			X

Vykonanie všeobecnej kontroly

- Uistite sa, že sú dotiahnuté všetky matice aj skrutky na výrobku.

Čistenie externých povrchov výrobku

- Pomocou kefy odstráňte listy, trávu a nečistoty.
- Uistite sa, že nie je zablokované nasávanie vzduchu vo vrchnej časti motora.
- Na čistenie výrobku nepoužívajte vysokotlakový čistič.
- Ak na čistenie výrobku použijete vodu, nelejte vodu priamo na motor.

Čistenie vnútorného povrchu krytu rezacej časti

1. Vyprázdňte palivovú nádrž.
2. Nakloňte výrobok. Ubezpečte sa, že zapalovacia sviečka je orientovaná hrotom nahor.



VAROVANIE: Ak výrobok položíte tak, že vzduchový filter bude smerovať nadol, môže dôjsť k poškodeniu motora.

3. Pomocou hadice vystriekajte vnútorné povrchy krytu rezacej časti.

Čistenie priestoru pod krytom prevodovky (LB 251S)

1. Vyprázdňte palivovú nádrž.
2. Nakloňte výrobok. Ubezpečte sa, že zapalovacia sviečka je orientovaná hrotom nahor.

¹⁵⁶ Filter čistite častejšie, ak sa vo vzduchu nachádza veľa prachových alebo iných častíc. Ak je filter veľmi špinavý, vymeňte ho.



VAROVANIE: Ak výrobok položíte tak, že vzduchový filter bude smerovať nadol, môže dôjsť k poškodeniu motora.

3. Odskrutkujte 7 skrutiek. (Obr. 35)
4. Odstráňte kryt prevodovky.
5. Vyčistite povrchy pomocou kefy.



VAROVANIE: Voda alebo znečistenie pod krytom prevodovky môže poškodiť prevodovku.

6. Nasadte kryt prevodovky a utiahnite 7 skrutiek.

Kontrola rezného zariadenia



VÝSTRAHA: Aby ste zabránili náhodnému naštartovaniu, odpojte kábel zapalovania od zapalovacej sviečky.



VÝSTRAHA: Pri vykonávaní údržby rezného zariadenia používajte ochranné rukavice. Čepel je veľmi ostrá a ľahko môže dôjsť k porezaniu.

1. Skontrolujte, či sa na reznom zariadení nenachádzajú známky poškodenia alebo praskliny. Poškodené rezné zariadenie vždy vymeňte.
2. Skontrolujte, či nie je poškodený alebo tupý nôž.

Poznámka: Po nabrúsení je potrebné nôž vyrovnat'. Nôž nechajte nabrúsiť, vymeniť a vyrovnat' v servisnom stredisku. Ak narazíte na predmet, ktorý spôsobí

zastavenie výrobu, vymeňte poškodený nôž. Nechajte, aby servisné stredisko rozhodlo, či je možné nôž nabrúsiť alebo sa musí vymeniť.

Výmena noža

1. Pomocou dreveného bloku zaistíte nôž. (Obr. 36)
2. Odstráňte skrutku noža.
3. Odstráňte čepeľ.
4. Skontrolujte držiak noža a skrutku noža kvôli známkam poškodenia.
5. Skontrolujte hriadeľ motora a uistite sa, že nie je ohnutý.
6. Pri upevňovaní nového noža nasmerujte zošíkmené konce noža v smere krytu rezacej časti. (Obr. 37)
7. Uistite sa, že je nôž zarovnaný so stredom hriadeľa motora.
8. Pomocou dreveného bloku zaistíte nôž. Pripevnite pérovú podložku a utiahnite skrutku a podložku momentom 43 – 47 Nm. (Obr. 38)
9. Rukou potočte nožom a uistite sa, že sa voľne otáča.



VÝSTRAHA: Používajte odolné rukavice. Čepeľ je veľmi ostrá a ľahko môže dôjsť k porezaniu.

10. Zapnite výrobok a otestujte nôž. Ak nôž nie je správne upevnený, výrobok vibruje alebo poskytuje neuspokojivé výsledky kosenia.

Kontrola hladiny oleja



VAROVANIE: Príliš nízka hladina oleja môže viesť k poškodeniu motora. Pred zapnutím výrobu skontrolujte hladinu oleja.

1. Položte výrobok na rovný povrch.
2. Odstráňte uzáver nádrže na olej s olejovou mierkou.
3. Očistite olej z olejovej mieryky.
4. Aby ste získali presnú úroveň hladiny oleja, olejovú mierku úplne zasuňte do nádrže na olej.
5. Vytiahnite olejovú mierku.
6. Skontrolujte hladinu oleja na olejovej mierke.
7. V prípade príliš nízkej hladiny doplňte motorový olej a opätovne skontrolujte hladinu oleja.

Výmena motorového oleja



VÝSTRAHA: Bezprostredne po vypnutí motora je motorový olej veľmi horúci. Nechajte motor vychladnúť pred vypustením oleja. Ak sa motorový olej dostane na pokožku, očistite ho mydlom a vodou.

(Obr. 39)

1. Výrobok používajte, kým nebude palivová nádrž prázdna.
2. Vytiahnite kábel zapalovania zo zapalovacej sviečky.
3. Odstráňte uzáver nádrže na olej.
4. Položte pod výrobok nádobu na zachytenie motorového oleja.
5. Naklonením výrobu vylejte motorový olej z nádrže na olej.
6. Nalejte do nádrže nový motorový olej, pričom sa riadte odporúčaniami v kapitole *Technické údaje na strane 346*.
7. Skontrolujte hladinu oleja. Pozrite si časť *Kontrola hladiny oleja na strane 342*.

Kontrola zapalovacej sviečky



VAROVANIE: Vždy používajte odporúčaný typ zapalovacej sviečky. Nesprávny typ zapalovacej sviečky môže spôsobiť poškodenie výrobu.

- Ak má motor slabý výkon, ťažko sa štartuje alebo pri voľnobežných otáčkach nefunguje správne, skontrolujte zapalovaciu sviečku.
- Ak chcete znížiť riziko prítomnosti neželaného materiálu na elektródach zapalovacej sviečky, postupujte takto:
 - a) Uistite sa, že voľnobežné otáčky sú správne nastavené.
 - b) Uistite sa, že používate správnu zmes paliva.
 - c) Uistite sa, že je čistý vzduchový filter.
- Ak je zapalovacia sviečka znečistená, očistite ju a skontrolujte, či je medzera medzi elektródami správna. Pozrite si časť *Technické údaje na strane 346*. (Obr. 40)
- V prípade potreby vymeňte zapalovaciu sviečku.

Vzduchový filter

Znečistený vzduchový filter môže spôsobiť poškodenie alebo nesprávnu prevádzku motora. V prašných podmienkach vykonávajte údržbu vzduchového filtra častejšie. Informácie o tom, kedy vymeniť vzduchový filter, nájdete v časti *Údržba na strane 340*.

Poznámka: Poškodený vzduchový filter vždy vymeňte.

Demontáž a montáž vzduchového filtra



VÝSTRAHA: Používajte ochranné rukavice.

1. Stlačte svorky na kryte vzduchového filtra.
2. Opatrne vyberte kryt vzduchového filtra (A) z motora.
3. Vyberte vzduchový filter (B). (Obr. 41)

4. Skontrolujte, či vzduchový filter nie je poškodený. Poškodený vzduchový filter vymeňte.
5. Čistenie a kontrola vzduchového filtra Pozrite si časť *Čistenie vzduchového filtra na strane 343*.
6. Pri montáži postupujte v opačnom poradí.

Čistenie vzduchového filtra

Znečistený vzduchový filter môže spôsobiť poškodenie alebo nesprávnu prevádzku motora. V prašných podmienkach vykonávajte údržbu vzduchového filtra častejšie.

Informácie o tom, kedy sa vymieňa vzduchový filter, nájdete v časti *Údržba na strane 340*.

1. Odstráňte kryt vzduchového filtra a vzduchový filter.
2. Filter sa čistí údermi o rovnú plochu. Na čistenie filtra nepoužívajte riedidlo obsahujúce naftu alebo petrolej a filter nečistite stlačeným vzduchom.

Poznámka: Dlhodobou používané vzduchové filtre sa nedajú úplne vyčistiť. Vzduchový filter pravidelne vymieňajte. Poškodené vzduchové filtre sa musia vždy vymeniť.

3. Pri montáži sa vzduchový filter musí pevne utesniť na držiaku filtra.

Kontrola bočného vyhadzovacieho deflektora

Bočný vyhadzovací deflektor je pripevnený na otvore bočného vyhadzovania na výrobku. Deflektor slúži na zníženie rizika vyvrátenia predmetov smerom do priestoru, v ktorom sa pri kosení nachádza používateľ.

1. Skontrolujte, či bočný vyhadzovací deflektor nie je poškodený.
2. Skontrolujte bočný vyhadzovací deflektor. Skontrolujte, či nie sú viditeľné poškodenia, ako sú

praskliny alebo zlomené pružiny, ktoré tlačia dvere na zatvorenie.

3. Poškodený bočný vyhadzovací deflektor alebo poškodené pružiny vymeňte.

Kontrola palivového systému

- Skontrolujte veko palivovej nádrže a tesnenie veka palivovej nádrže a uistite sa, že nie sú poškodené.
- Skontrolujte palivovú hadicu a uistite sa, že z nej nevyteká palivo. Ak je palivová hadica poškodená, nechajte servisného zástupcu, aby ju vymeniť.

Nastavenie lanka spojky (LC 151S, LB 251S, LB 256SP)

V nasledujúcich situáciách je potrebné skrátiť lanko spojky:

- pohon kolies sa nezapojí, keď potiahnete páku pohonu alebo páčku regulácie rýchlosti,
- výrobok sa pohybuje pomaly, keď sa zapojí pohon kolies.

V nasledujúcich situáciách je potrebné predĺžiť lanko spojky:

- výrobok sa pohybuje, keď pohon kolies nie je zapojený.
- Nastavenie lanka spojky
 - a) Ak chcete skrátiť lanko spojky, otáčajte nastavovaciu skrutku proti smeru hodinových ručičiek.
 - b) Ak chcete predĺžiť lanko spojky, otáčajte nastavovaciu skrutku v smere hodinových ručičiek. (Obr. 42)

Ak sa výrobok po nastavení naďalej pohybuje neuspokojivo, obráťte sa na servisného predajcu.

Riešenie problémov s motorom

Problém	Možná príčina	Riešenie
Motor neštartuje.	Kábel zapaľovania nie je správne pripojený.	Pripojte kábel zapaľovania k zapaľovacej sviečke.
	Palivová nádrž je prázdna.	Palivovú nádrž naplňte správnym typom paliva.
	Palivo je staré.	Vyčerpajte palivovú nádrž a karburátor. Znova naplňte novým benzínom.
	V karburátore alebo palivovom potrubí sa nachádzajú nečistoty.	Vyčistíte karburátor a/alebo palivové potrubie.
	Zapaľovacia sviečka je chybná.	Nastavte medzeru medzi elektródami, vyčistite alebo vymeňte zapaľovaciu sviečku.
	Na zapaľovacej sviečke sa nachádza palivo.	Vyčistíte zapaľovaciu sviečku.
Motor sa nezastavuje.	Mechanizmus zastavenia je poškodený.	Odpojte kábel zapaľovania od zapaľovacej sviečky. Opravu produktu zverte schválenému servisnému zástupcovi.
Motor nebeží plynule.	Kábel zapaľovania nie je správne pripojený.	Pripojte kábel zapaľovania k zapaľovacej sviečke.
	V palivovom potrubí sú nečistoty alebo vypršala životnosť paliva.	Vyčistíte palivové potrubie. Palivovú nádrž naplňte novým palivom správneho typu.
	Uzáver palivovej nádrže je zablokovaný.	Vyčistíte uzáver palivovej nádrže.
	V palivovom systéme sa nachádza voda alebo nečistoty.	Vyprázdňte palivovú nádrž. Palivovú nádrž naplňte novým palivom správneho typu.
	Vzduchový filter je špinavý.	Vyčistíte vzduchový filter.
	Je nutné nastaviť karburátor.	O nastavenie karburátora požiadajte servisného zástupcu.
Motor sa príliš prehrieva.	Hladina motorového oleja je príliš nízka.	Doplňte motorový olej.
	Prietok vzduchu je nedostatočný.	Očistíte vzduchový filter a telo vzduchového filtra.
	Je nutné nastaviť karburátor.	O nastavenie karburátora požiadajte servisného zástupcu.
Keď motor pracuje pri vysokých otáčkach, vynecháva sa v ňom zážih.	Medzera medzi elektródami v zapaľovacej sviečke je príliš malá.	Nastavte medzeru medzi elektródami.
Motor vydáva nezvyčajné zvuky počas bežnej prevádzky.	Nesprávny typ benzínu.	Vyčerpajte palivovú nádrž a karburátor. Znova naplňte novým benzínom. Pozrite si časť <i>Doplňanie paliva na strane 338</i> . Ak problém pretrváva, obráťte sa na svojho regionálneho servisného zástupcu.

Problém	Možná příčina	Riešenie
Motor nebeží plynule pri voľnobežných otáčkach.	Zapaľovacia sviečka je špinavá alebo poškodená, prípadne je medzera medzi elektródami príliš široká.	Nastavte medzeru medzi elektródami alebo vymeňte zapaľovaciu sviečku.
	Je nutné nastaviť karburátor.	Nastavte karburátor.
	Vzduchový filter je špinavý.	Vyčistite vzduchový filter.

Preprava, skladovanie a likvidácia

Preprava a uskladnenie

- Pri uskladňovaní a preprave výrobku a paliva sa uistite, že nedochádza k úniku kvapaliny a výparov. Iskry alebo otvorené plamene, napr. z elektrických zariadení alebo bojlerov, môžu vyvolať požiar.
- Na uskladnenie a prepravu paliva vždy používajte schválené kanistre.
- Pred uskladnením výrobku na dlhšiu dobu vyprázdňte palivovú nádrž. Palivo zlikvidujte v príslušnom zariadení na likvidáciu.
- Počas prepravy výrobok bezpečne upevnite, aby ste zabránili poškodeniu alebo nehodám.
- Výrobok skladujte v uzamknutom priestore mimo dosahu detí a neoprávnených osôb.
- Výrobok skladujte na suchom mieste, ktoré je chránené pred mrazom.

Likvidácia

- Dodržiavajte miestne požiadavky v oblasti recyklácie a platné predpisy.
- Všetky chemikálie, ako napr. motorový olej alebo palivo, zlikvidujte v servisnom stredisku alebo v príslušnom zariadení na likvidáciu.
- Keď už výrobok nepoužívate, pošlite ho predajcovi spoločnosti Husqvarna alebo ho zlikvidujte v recyklačnom zariadení.

Technické údaje

Technické údaje

	LC 151	LC 151S	LB 251S	LB 256SP
Motor				
Značka	Husqvarna	Husqvarna	Husqvarna	Husqvarna
Typ motora	Jednovalcový, 4-taktný, chladenie s núteným obehom vzduchu, OHV	Jednovalcový, 4-taktný, chladenie s núteným obehom vzduchu, OHV	Jednovalcový, 4-taktný, chladenie s núteným obehom vzduchu, OHV	Jednovalcový, 4-taktný, chladenie s núteným obehom vzduchu, OHV
Objem, cm ³	166	166	166	166
Rýchlosť, ot./min.	2800	2800	2800	2800
Menovitý výkon motora, kW ¹⁵⁷	2,7	2,7	2,7	2,7
Systém zapáľovania				
Zapaľovacia sviečka	Husqvarna HQT-7	Husqvarna HQT-7	Husqvarna HQT-7	Husqvarna HQT-7
Vzdialenosť elektród, mm	0,7–0,8	0,7–0,8	0,7–0,8	0,7–0,8
Systém paliva a mazania				
Typ mazania motora	Rozstrekovaním oleja	Rozstrekovaním oleja	Rozstrekovaním oleja	Rozstrekovaním oleja
Objem palivovej nádrže, litre	1,0	1,0	1,0	1,0
Objem olejovej nádrže, litre	0,5	0,5	0,5	0,5
Motorový olej ¹⁵⁸	Husqvarna SAE 30	Husqvarna SAE 30	Husqvarna SAE 30	HusqvarnaSAE 30
Hmotnosť				
S prázdnyimi nádržami, kg	31,1	32,6	32,0	33,1
Emisie hluku¹⁵⁹				
Nameraná úroveň hlučnosti, dB(A)	96	96	95	97
Zaručená úroveň hlučnosti, L _{WA} dB(A)	98	98	96	98

¹⁵⁷ Vyznačený výkon motora je priemerný čistý výkon (pri uvedených ot./min) typického sériového motora pre model motora meraný podľa normy SAE J1349/ISO 1585. Sériovo vyrábané motory sa môžu od tejto hodnoty odlišovať. Skutočný výkon motora nainštalovaného na koncovom výrobku závisí od prevádzkovej rýchlosti, podmienok okolitého prostredia a iných hodnôt.

¹⁵⁸ Ak sa motorový olej SAE-30 používa pri teplote nižšej ako +5 °C, existuje riziko, že motor nebude dostatočne mazaný. Môže tak dôjsť k poškodeniu motora. Informácia o vhodnom oleji použiteľnom pri nízkych teplotách nájdete v *Výmena motorového oleja na strane 342*.

¹⁵⁹ Hladina hluku meraná ako akustický tlak (L_{WA}) v súlade s európskou smernicou 2000/14/ES.

	LC 151	LC 151S	LB 251S	LB 256SP
Úrovně hlučnosti¹⁶⁰				
Hladina akustického tlaku pri uchu operátora, dB(A)	86	86	82	86
Úrovně vibrací¹⁶¹				
Ekvivalentné zrýchlenie vibrácií rúkovi, m/s ²	8,5	8,5	4,7	7,5
Rezné zariadenie				
Výška rezu, mm	25 – 75	25 – 75	25 – 75	25 – 75
Šírka rezu, mm	510	510	510	560
Kosiaci systém	Zber/BioClip®/ bočné vyhadzovanie	Zber/BioClip®/ bočné vyhadzovanie	BioClip®/bočné vyhadzovanie	BioClip®/bočné vyhadzovanie
Nôž – štandardný	Zberač 598562601	Zberač 598562601	Mulčovač 597683901	Mulčovač 598563601
Nôž – príslušenstvo	Mulčovač 597683901	Mulčovač 597683901	–	–
Kapacita zberného koša, liter	65	65	–	–
Chod				
Rýchlosť kráčania, km/h	–	3,6	4,0	3,6

¹⁶⁰ Uvádzané údaje pre hladinu akustického tlaku majú typický štatistický rozptyl (štandardnú odchýlku) 1,2 dB (A).

¹⁶¹ Uvádzané údaje pre ekvivalentný stupeň vibrácií majú typický štatistický rozptyl (štandardnú odchýlku) 0,2 m/s².

ES vyhlásenie o zhode

ES vyhlásenie o zhode

Husqvarna AB, SE-561 82 Huskvarna, Švédsko, tel.:
+46-36-146500, vyhlasuje, že **kosačka na trávu**
Husqvarna LC 151, LC 151S, LB 251S, LB 256SP od
roku výroby 2020 a ďalej spĺňa požiadavky SMERNICE
RADY:

- z 8. júna 2011 o „obmedzení používania určitých nebezpečných látok“ **2011/65/EÚ**,
- zo 17. mája 2006, „Smernica o strojoch“ **2006/42/EÚ**,
- z 26. februára 2014 „vzťahujúcej sa na elektromagnetickú kompatibilitu“, **2014/30/EÚ**,
- z 8. mája 2000 „o emisiách hluku v prostredí“ **2000/14/EÚ**.

Informácie týkajúce sa emisií hluku nájdete v časti Technické údaje.

Boli uplatnené nasledujúce normy:

EN ISO 5395-1:2013, EN ISO 5395-1:2013/A1, EN ISO 5395-2:2013, EN ISO 5395-2:2013/A1:2016, EN ISO 5395-2:2013/A2:2017, EN ISO 14982:2009

Ak nie je uvedené inak, vyššie uvedené normy sú najnovšie vydané verzie.

Notifikovaný orgán (LC 151, LC 151S, LB 256SP): **0036, TÜV SÜD Industrie Service GmbH, Westendstrasse 199, 80686 München, Germany** vykonal posudzovanie zhody v súlade s prílohou VI smernice 2000/14/ES.

Notifikovaný orgán (LB 251S): **0404, RISE SMP Svensk Maskinprovning AB, Box 7035, SE-750 07 Uppsala, Sweden** vykonal posudzovanie zhody v súlade s prílohou VI smernice 2000/14/ES.

Huskvarna, 2020-10-20



Claes Losdal, manažér vývoja/záhradné produkty
(autorizovaný zástupca spoločnosti Husqvarna AB
a osoba zodpovedná za technickú dokumentáciu)

VSEBINA

Uvod.....	349	Odpravljanje težav z motorjem.....	358
Varnost.....	350	Transport skladiščenje in odstranitev.....	359
Montaža.....	352	Tehnični podatki.....	360
Delovanje.....	353	Izjava ES o skladnosti.....	362
Vzdrževanje.....	355		

Uvod

Opis izdelka

Naprava je rotacijska kosilnica. Za LC 151, LC 151S namestite zbiralnik za travo, če želite zbirati travo. Če želite stranski izmet trave, namestite deflektor. Za LC 151, LC 151S če želite travo razrezati v gnojilo, namestite komplet za mulčenje.

Pregled izdelka

(Sl. 1)

1. Ročaj
2. Ročica zavore motorja
3. Pogonska ročica (LC 151S, LB 256SP)
4. Pogonska ročica (LB 251S)
5. Zadnji pokrov (LC 151, LC 151S)
6. Zbiralnik za travo (LC 151, LC 151S)
7. Vijaki za nastavitev višine ročaja
8. Ročica za nastavitev višine košnje
9. Pokrovček posode za olje in merilna palica
10. Pokrov stranske izmetne odprtine
11. Dušilnik
12. Svečka
13. Uplinjelnik
14. Pokrovček rezervoarja za gorivo
15. Simboli
16. Pokrov rezila
17. Zračni filter
18. Stranski deflektor
19. Komplet za mulčenje (dodatna oprema za LC 151, LC 151S)
20. Ročica zaganjalne vrvice
21. Navodila za uporabo

Znaki na izdelku

- (Sl. 2) **OPOZORILO!** Bodite previdni in uporabljajte izdelek pravilno. Ta izdelek lahko povzroči hude poškodbe oziroma smrt upravljavca ali drugih.
- (Sl. 3) Pred uporabo izdelka natančno preberite navodila za uporabo in se prepričajte, da ste jih razumeli.

Namen uporabe

Izdelek uporabite za rezanje trave. Izdelka ne uporabljajte za druga opravila.

- (Sl. 4) Pazite na leteče in odbite predmete.
- (Sl. 5) Poskrbite, da so osebe in živali na varni razdalji od delovnega območja.
- (Sl. 6) Opozorilo: Roke in noge držite stran od vrtljivega rezila.
- (Sl. 7) Opozorilo: Z rokami in nogami ne segajte v območje premikanja vrtljivih delov.
- (Sl. 8) Izklopite motor in odstranite vžigalni kabel, šele nato opravite popravila ali vzdrževalna dela.
- (Sl. 9) Izdelek je v skladu z veljavnimi direktivami ES.
- (Sl. 10) Emisija hrupa v okolje v skladu z direktivo Evropske skupnosti. Podatek za emisijo izdelka je naveden v poglavju "Tehnični podatki" ter na nalepki.
- (Sl. 11) Nevarnost požara.
- (Sl. 12) Ne vdihujte izpušnih plinov. Izpušni plini vsebujejo ogljikov monoksid iz motorja, ki je brezbarven, strupen in zelo nevaren plin. Motorja ne vklopite v zaprtih prostorih.
- (Sl. 13) Vroča površina.
- (Sl. 14) Pred uporabo izdelka dolijte motorno olje.

Opomba: Ostali znaki in oznake na izdelku se nanašajo na zahteve za certifikacijo, ki veljajo za druga komercialna območja.

Odgovornost proizvajalca

Kot je navedeno v zakonodaji, ki ureja odgovornost proizvajalca, ne prevzemamo nikakršne odgovornosti za poškodbe, ki bi jih naši izdelki povzročili v naslednjih primerih:

- Izdelek ni pravilno popravljen.
- Izdelek je popravljen z deli, ki jih ni izdelal ali odobril proizvajalec.
- Na izdelku je nameščena dodatna oprema, ki je ni izdelal ali odobril proizvajalec.

- Izdelek ni bil popravljen v pooblaščenem servisnem centru ali pri pooblaščenem organu.

Stopnja emisij Euro V



OPOZORILO: Zaradi predelave motorja se razveljavi EU-homologacija tega izdelka.

Varnost

Varnostne definicije

Opozorila, svarila in opombe opozarjajo na posebej pomembne dele priročnika.



OPOZORILO: Se uporabi, če obstaja nevarnost telesne poškodbe ali smrti uporabnika ali opazovalcev ob neupoštevanju navodil v tem priročniku.



POZOR: Se uporabi, če obstaja nevarnost poškodbe izdelka, drugih materialov ali okolice ob neupoštevanju navodil v tem priročniku.

Opomba: Se uporabi za podajanje podrobnejših informacij, potrebnih v dani situaciji.

Splošna varnostna navodila



OPOZORILO: Pred uporabo izdelka preberite navodila v povezavi z opozorili v nadaljevanju.

- Ta izdelek je lahko nevaren, če ga ne uporabljate pravilno ali če niste previdni. Če ne upoštevate varnostnih navodil, lahko nastopijo poškodbe ali celo smrt.
- Izdelek med delovanjem ustvarja elektromagnetno polje. To polje lahko v nekaterih pogojih moti delovanje aktivnih ali pasivnih medicinskih vsadkov. Uporabnikom medicinskih vsadkov svetujemo, da se pred uporabo tega izdelka posvetujejo z zdravnikom ali proizvajalcem medicinskega vsadka, s čimer zmanjšajo nevarnost resnih ali smrtnih poškodb.
- Vedno bodite previdni in ravnajte razumno. Če niste prepričani, kako upravljati ta izdelek v določeni situaciji, prenehajte z delom in se pogovorite s prodajalcem Husqvarna.
- Ne pozabite, da je uporabnik odgovoren za nesreče, ki jih povzročijo drugim ljudem ali njihovi lastnini.
- Stroj redno čistite. Pozorno preberite znake in nalepke.

- Ne dovolite osebi, ki ni prebrala in ne razume vsebine navodil za uporabo, da upravlja ta izdelek.
- Izdelka ne smejo uporabljati otroci.
- Otroci naj ostanejo zunaj delovnega območja. Vedno mora biti prisotna odgovorna odrasla oseba.
- Izdelka ne smejo uporabljati osebe, ki ne poznajo navodil za uporabo.
- Če izdelek uporabljajo osebe z zmanjšanimi fizičnimi ali intelektualnimi sposobnostmi, jih nenehno nadzorujte. Vedno mora biti prisotna odgovorna odrasla oseba.
- Izdelka ne uporabljajte, ko ste utrujeni, bolni, ali pod vplivom alkohola, drog ali zdravil. To negativno vpliva na vaš vid, pozornost, koordinacijo in presojo.
- Izdelka ne uporabljajte, če je poškodovan.
- Izdelka ne spreminjajte ali uporabljajte, če obstaja možnost, da so ga spremenile tretje osebe.
- Ne spreminjajte nastavitve števila vrtljajev motorja.

Varnost delovnega področja



OPOZORILO: Pred uporabo izdelka preberite navodila v povezavi z opozorili v nadaljevanju.

- Z delovnega območja pred začetkom dela odstranite predmete, kot so veje, vejice in kamni.
- Predmeti, ki pridejo v kontakt z rezalno opremo, lahko odletijo in poškodujejo osebe in ostale predmete. Opazovalci in živali naj bodo na varni razdalji od izdelka.
- Izdelka nikoli ne uporabljajte v slabem vremenu, kot je megla, dež, močan veter, izreden mraz ter nevarnost strele. Če izdelek uporabljate v slabem vremenu ali v vlažnih ali mokrih okoljih, vas bo to utrudilo. Slabo vreme lahko povzroči nevarne pogoje, kot je spolzka podlaga.
- Bodite pozorni na osebe, predmete in situacije, ki lahko preprečijo varno obratovanje izdelka.
- Bodite pozorni na ovire, kot so korenine, kamni, veje, jame in jarki. Visoka trava lahko prekriva ovire.
- Košnja trave na pobočju je lahko nevarna. Izdelka ne uporabljajte na pobočjih z naklonom, večjim od 15°.

- Izdelek uporabljajte prečno na pobočje. Ne premikajte se navzgor in navzdol.
- Bodite previdni, kadar se približujete kotom in predmetom, ki omejujejo pogled.

Varnost pri delu



OPOZORILO: Pred uporabo izdelka preberite navodila v povezavi z opozorili v nadaljevanju.

- Ta izdelek uporabljajte izključno za košnjo trave. Ne uporabljajte ga za druga opravila.
- Uporabljajte osebno zaščitno opremo. Glejte *Osebna zaščitna oprema na strani 351*.
- V zasilnem primeru morate znati motor hitro izklopiti.
- Motorja nikoli ne vklopite v zaprtem prostoru ali v bližini vnetljivega materiala. Izpušni plini iz motorja so vroči in lahko vsebujejo iskre, ki lahko povzročijo požar.
- Izdelka ne uporabljajte, če rezilo in vsi pokrovi niso nameščeni pravilno. Nepravilno nameščeno rezilo lahko odleti in povzroči poškodbe.
- Pazite, da rezilo ne udarja ob predmete, npr. kamenje in korenine. To lahko poškoduje rezilo in ukrivi motorno gred. Zvita os povzroča vibracije in zelo visoko tveganje, da rezilo odleti.
- Če rezilo trči ob predmet ali začutite vibracije, izdelek nemudoma izklopite. S svečke odstranite vžigalni kabel. Preglejte, ali je izdelek morda poškodovan. Poškodbe popravite ali pa popravilo prepustite pooblaščenemu serviserju.
- Ročico zavore motorja nikoli ne pritrдите trajno na ročaj, ko je motor obratuje.
- Izdelek vklopite na stabilni in ravni podlagi. Prepričajte se, da rezilo ne trči ob tla ali druge predmete.
- Vedno bodite za izdelkom, ko ga upravljate.
- Ko upravljate izdelek, morajo biti vsa kolesa na tleh, prav tako pa imejte na ročaju obe roki. Roke in noge držite stran od vrtljivih rezil.
- Pri delujočem motorju izdelka nikoli ne nagibajte.
- Ko izdelek potegnete nazaj, bodite previdni.
- Izdelka ne dvigajte, ko motor deluje. Če morate izdelek dvigniti, motor izklopite in s svečke odstranite vžigalni kabel.
- Med uporabo izdelka ne hodite vzvratno.
- Izklopite motor, ko se premikate prek področij brez trave, npr. poti iz gramoza, kamna in asfalta.
- Pri delujočem motorju ne tecite z izdelkom. Pri uporabi tega izdelka vedno hodite.
- Preden spreminjate višino reza, ustavite motor. Ne izvajajte prilagoditev, ko motor deluje.
- Ko je motor vklopljen, imejte izdelek vedno v pogledu. Motor izklopite in se prepričajte, da se rezalna oprema ne vrti.

Varnostna navodila za uporabo

Osebna zaščitna oprema



OPOZORILO: Pred uporabo izdelka preberite navodila v povezavi z opozorili v nadaljevanju.

- Osebna zaščitna oprema ne more popolnoma preprečiti poškodb, vendar v primeru nesreče omili posledice. Prodajalec naj vam pomaga izbrati ustrezno opremo.
- Če je moč hrupa višja od 85 dB, uporabljajte zaščitno opremo za sluh.
- Uporabite trpežno obutev, ki ne drsi. Ne bodite bosi ali nosite odprtih čevljev.
- Obležene imejte trpežne, dolge hlače.
- Po potrebi uporabite zaščitne rokavice, npr. kadar pritrjujete, pregledujete ali čistite rezalno opremo.

Varnostne naprave na izdelku



OPOZORILO: Pred uporabo izdelka preberite navodila v povezavi z opozorili v nadaljevanju.

- Ne uporabljajte izdelka s poškodovanimi varnostnimi napravami.
- Redno preverjajte varnostne naprave. Če so varnostne naprave poškodovane, se obrnite na pooblaščen servisno delavnico Husqvarna.

Preverjanje pokrova rezila

Pokrov rezila zmanjšuje moč vibracij v izdelku in zmanjšuje nevarnost poškodb, katerih vzrok bi lahko bilo rezilo.

- Preglejte pokrov rezila in se prepričajte, da nima poškodb, kot so razpoke.

Preverjanje ročice zavore motorja

Ročica zavore motorja izklopi motor. Ko je ročica zavore motorja sproščena, se motor ustavi.

- Zaženite motor in nato sprostite ročico zavore motorja. Če se motor ne izklopi v 3 sekundah, peljite izdelek k pooblaščenemu serviserju Husqvarna, da nastavi zavoro motorja. (Sl. 15)

Preverjanje zadnjega pokrova

Zadnji deflektor zmanjša nevarnost, da bi bili predmeti izvrženi v smeri uporabnika.

- Prepričajte se, da zadnji pokrov ni poškodovan.
- Prepričajte se, da vzmeti, ki zapirajo zadnji pokrov, niso poškodovane.
- Poškodovane vzmeti in dele zamenjajte.
- Prepričajte se, da se zadnji pokrov lahko neovirano premika po tečajih.

Dušilnik

Dušilnik zmanjšuje hrup na najnižjo možno raven in pošilja izpušne pline stran od operaterja.

Ne uporabljajte izdelka, če dušilnik manjka ali je poškodovan. Poškodovan dušilnik zviša raven hrupa in poveča nevarnost požara.



OPOZORILO: Dušilnik se med in po uporabi ter med delovanjem motorja v prostem teku močno segreje. V bližini vnetljivih materialov in/ali hlapov bodite previdni, da preprečite požar.

Preverjanje dušilnika

- Dušilnik redno preverjajte in se tako prepričajte, da je pravilno nameščen in ni poškodovan.

Varnost pri delu z gorivom



OPOZORILO: Pred uporabo izdelka preberite navodila v povezavi z opozorili v nadaljevanju.

- Če so na izdelku ostanki goriva ali motornega olja, izdelka ne zaganjajte. Očistite ostanke goriva/olja in počakajte, da se izdelek posuši.
- Če se z gorivom polijete po obleki, se nemudoma preoblecite.
- Pazite, da goriva ne polijete po telesu, saj lahko pride do poškodb. Če gorivo polijete po telesu, se očistite z milom in vodo.
- Če motor pušča, izdelka ne zaganjajte. Redno preverjajte, ali motor pušča.
- Z gorivom ravnajte previdno. Gorivo je vnetljivo, hlapi pa so eksplozivni, zato lahko pride do poškodb ali smrti.
- Ne vdihavajte hlapov goriva, saj lahko pride do poškodb. Zagotovite zadosten pretok zraka.
- V bližini goriva ali motorja ne kadite.
- Vročih predmetov ne postavljajte v bližini goriva ali motorja.
- Goriva ne dolivajte, ko je motor vklopljen.
- Pred dolivanjem goriva se prepričajte, da je motor ohlajen.

- Pred dolivanjem počasi odprite pokrovček posode za gorivo in previdno sprostite pritisk.
- Goriva ne dolivajte v zaprtih prostorih. Nezadosten pretok zraka lahko povzroči poškodbe ali smrt zaradi zadušitve ali zastrupitve z ogljikovim monoksidom.
- Skrbno privijte pokrovček posode za gorivo. Če pokrovček posode za gorivo ni dobro zatesnjen, obstaja nevarnost požara.
- Preden izdelek vklopite, ga premaknite najmanj 3 m/10 čevljev stran od mesta, kjer ste napolnili posodo za gorivo.
- Rezervoar za gorivo ne napolnite do konca. Gorivo se razširi zaradi vročine. Pustite prazen prostor na vrhu rezervoarja za gorivo.

Varnostna navodila za vzdrževanje



OPOZORILO: Pred uporabo izdelka preberite navodila v povezavi z opozorili v nadaljevanju.

- Izpušni plini vsebujejo ogljikov monoksid iz motorja, ki je brezbarven, strupen in zelo nevaren plin. Motorja ne vklopite v zaprtih prostorih.
- Preden začnete z vzdrževanjem izdelka, ustavite motor in s svečke odstranite vžigalni kabel.
- Pri vzdrževanju rezalne opreme uporabite zaščitne rokavice. Reziilo je izjemno ostro, zato lahko hitro pride do ureznin.
- Dodatki in spremembe izdelka, ki niso odobrene s strani proizvajalca, lahko vodijo k resnim poškodbam ali celo v smrt. Ne spreminjajte izdelka. Vedno uporabljajte samo dodatke, ki jih je odobril proizvajalec.
- Če izdelka ne vzdržujete pravilno in redno, se poveča nevarnost poškodb osebam in izdelku.
- Vzdrževanje opravite tako, kot piše v teh navodilih za uporabo. Vsakršno drugačno vzdrževanje mora opraviti osebje pooblaščenih servisnih delavnic Husqvarna.
- Redno dovolite osebju pooblaščenih servisnih delavnic Husqvarna izvajati vzdrževalna dela.
- Zamenjajte poškodovane, obrabljene ali zlomljene dele.

Montaža

Uvod



OPOZORILO: Preden sestavite izdelek morate prebrati in razumeti poglavje o varnosti.



OPOZORILO: Preden sestavite izdelek odklopite kabel vžigalne svečke s svečke.

Namestititev ročice

- Potisnite vijak (A) skozi ročaj (B), plastično podložko (C) in podporni nosilec ročaja (D). (Sl. 16)
- Do konca zategnite matico (E).
- Potisnite vijak (F) skozi podložko (G) in podporni nosilec ročaja. (Sl. 17)
- Do konca zategnite gumbni vijak (H).

Nastavitev ročaja

1. Sprostite spodnja gumbna vijaka.
2. Gumbna vijaka na levi in desni strani izdelka pomaknite v spodnji del utorov. (Sl. 18)
3. Višino ročice prestavite v enega od 2 razpoložljivih položajev.
4. Premaknite gumbna vijaka do konca navzgor proti ročici, da zaslišite klik. (Sl. 19)
5. Popolnoma zategnite gumbne vijake.

Nastavitev kosilnice v transportni položaj

1. Sprostite spodnja gumbna vijaka.
2. Gumbna vijaka na levi in desni strani izdelka pomaknite v spodnji del utorov. (Sl. 18)

3. Ročaj preklonite naprej. (Sl. 20)

Nastavitev kosilnice v delovni položaj

1. Ročaj preklonite v navpičen položaj. (Sl. 21)
2. Premaknite gumbna vijaka do konca navzgor proti ročici, da zaslišite klik. (Sl. 19)
3. Popolnoma zategnite gumbne vijake.

Namestitev zbiralnika za travo (LC 151, LC 151S)

1. Ogrodje zbiralnika za travo vstavite v vrečo za travo tako, da je trdi del vrečke na dnu. Ročaj na ogrodju držite izven zgornjega dela vreče. (Sl. 22)
2. Vrečo za travo s sponkami pritrdite na ogrodje. (Sl. 23)

Delovanje

Uvod



OPOZORILO: Pred uporabo izdelka morate prebrati in razumeti poglavje o varnosti.

Husqvarna Connect

Husqvarna Connect je brezplačna aplikacija za vašo mobilno napravo. Aplikacija Husqvarna Connect omogoča razširitev funkcij vašega izdelka Husqvarna:

- Dodatne informacije o izdelku.
- Informacije o izdelku, delih in servisu ter pomoč.

Začetek uporabe: Husqvarna Connect

1. V mobilno napravo si prenesite aplikacijo Husqvarna Connect.
2. Registrirajte se v aplikaciji Husqvarna Connect.
3. Za vzpostavitev povezave in registracijo izdelka sledite navodilom v aplikaciji Husqvarna Connect.

Pred uporabo izdelka

1. Natančno preberite navodila za uporabo in se prepričajte, da ste jih razumeli.
2. Preglejte rezalno opremo in se prepričajte, da je pravilno pritrjena in nastavljena. Glejte *Kako pregledati rezalno opremo na strani 356*.
3. Napolnite rezervoar za gorivo. Glejte *Dolivanje goriva na strani 353*.
4. Napolnite rezervoar olja in preverite nivo olja. Glejte *Kako preveriti nivo olja na strani 356*.

Dolivanje goriva

Če je na voljo, uporabite nizkoemisijsko/alkilatno gorivo. Če nizkoemisijsko/alkilatno gorivo ni na voljo, uporabite

neosvinčeno gorivo dobre kakovosti ali osvinčeno gorivo, ki ima najmanj 90 oktanov.



POZOR: Ne uporabljajte bencina, ki ima oktansko število nižje od 90 RON (87 AKI). Izdelek se lahko tako poškoduje.

1. Počasi odprite pokrovček posode za gorivo, da sprostite pritisk.
2. Napolnite počasi s posodo za gorivo. Če gorivo polijete, ga pobrišite s krpo in pustite, da se preostalo gorivo posuši. (Sl. 24)
3. Očistite področje okrog pokrovčka posode za gorivo.
4. Skrbno privijte pokrovček posode za gorivo. Če pokrovček posode za gorivo ni dobro zatesnjen, obstaja nevarnost požara.
5. Preden izdelek vklopite, ga premaknite najmanj 3 m (10 čevljev) stran od mesta, kjer ste napolnili posodo za gorivo.

Nastavitev višine košnje

1. Povlecite ročico za nastavitev višine košnje nazaj, da povečate višino rezanja.
2. Potisnite ročico za nastavitev višine košnje naprej, da znižate višino rezanja. (Sl. 25)



POZOR: Ne nastavite višino rezanja prenizko. Rezila lahko trčijo ob tla, če površina travnika ni ravna.

Zagon izdelka

1. Prepričajte se, da je vžigalni kabel priklopljen na svečko.
2. Ostanite za izdelkom.
3. Ročico zavore motorja držite ob ročaju. (Sl. 26)

4. Z desno roko držite ročico zaganjalne vrvice.
5. Zaganjalno ročico počasi izvlecite, da začutite nekoliko upora.
6. Močno povlecite, da zaženete motor.



OPOZORILO: Zaganjalne vrvice ne navijajte okoli zapestja.

Za pogon koles LC 151S & LB 256SP

- Pogonsko ročico potisnite v smer ročaja. (Sl. 27)
- Sprostite pogonsko ročico, da izklopite pogon, npr. ko ste blizu ovire.
- Preden izdelek povlečete vzvratno, sprostite pogonsko ročico in izdelek potisnite naprej približno 10 cm.

Za pogon koles (LB 251S)

- Povlecite pogonsko ročico proti ročaju. (Sl. 28)
- Potisnite pogonsko ročico stran od ročaja, da izklopite pogon, denimo, ko ste blizu ovire.

Opomba: Ko sprostite ročico zavore motorja, se pogonska ročica samodejno izklopi.

- Preden izdelek povlečete nazaj, potisnite pogonsko ročico stran od ročaja in izdelek potisnite naprej približno 10 cm, da popolnoma izklopite pogon.

Izklop izdelka

- Če želite izklopiti samo pogon, sprostite pogonsko ročico (LC 151S, LB 256SP) ali (LB 251S).
- Če želite izklopiti motor, sprostite ročico zavore motorja.

Uporaba izdelka z zbiralnikom za travo (LC 151, LC 151S)



OPOZORILO: Izdelka ne uporabljajte, če ni nameščen zbiralnik za travo ali zaprt zadnji pokrov. Predmeti so lahko izvrženi in poškodujejo uporabnika.

1. Dvignite zadnji pokrov in odstranite vložek za mulčenje, če je nameščen. (Sl. 29)
2. Sestavite zbiralnik za travo, glejte *Namestitvev zbiralnika za travo (LC 151, LC 151S) na strani 353*.
3. Na nosilec namestite zbiralnik za travo.
4. Sprostite zadnji pokrov in ga namestite na ogrodje vreče za travo. (Sl. 30)

Prilagoditev izdelka za mulčenje (LC 151, LC 151S)

Preden izdelek pripravite za mulčenje, se prepričajte, da je motor izklopljen.

1. Dvignite zadnji pokrov odstranite zbiralnik za travo, če je nameščen.
2. Vložek za mulčenje vtaknite v izpustni kanal. (Sl. 31)
3. Zaprite zadnji pokrov in se prepričajte, da se tesno prilega ob vložek za mulčenje.
4. Rezilo zamenjajte z rezilom za mulčenje, priloženo kompletu za mulčenje. Glejte poglavje *Zamenjava rezil na strani 356*.

Prilagoditev izdelka za stranski izmet

1. Dvignite zadnji pokrov in odstranite vrečo za travo, če je nameščena.
2. Zaprite zadnji pokrov in se prepričajte, da se tesno prilega ob izdelek.
3. Dvignite blokado izmeta. (Sl. 32)
4. Odprite pokrov stranskega izmeta in na nosilne zatiče namestite deflektor. (Sl. 33)
5. Pustite, da se pokrov stranskega izmeta zapre ob deflektor. Pred uporabo izdelka mora biti deflektor za stranski izmet trdno nameščen.

Praznjenje zbiralnika za travo



POZOR: Ko se premaknete, dvignite zbiralnik za travo, da preprečite obrabo.

1. Primito ročaj na ogrodju in privzdignite zbiralnik za travo.
2. Pri praznjenju zbiralnika za travo si pomagajte z ročajem na ogrodju in ročajem vreče. (Sl. 34)

Kako doseči dober rezultat

- Vedno uporabljajte ostra rezila. Če uporabljate topo rezilo, bo trava pokošena neenakomerno, ob zarezah pa lahko postane tudi rumena. Ostro rezilo prav tako porabi manj energije kot topo rezilo.
- Ne odrežite več kot tretjino dolžine travnih bilk. Za začetek košnje uporabite najvišjo višino. Preglejte rezultat in nastavite višino košnje na ustrezno višino. Če je trava zelo visoka, napredujte počasi in po potrebi kosite dvakrat.
- Vsakič kosite v različnih smereh, da se na travi ne bi pojavile črte.
- Privzdignite zadnji pokrov in odstranite zbiralnik za travo.
- Če sta nameščena vložek za mulčenje in rezilo za mulčenje, ju odstranite.
- Pred uporabo izdelka zaprite zadnji pokrov. Ko uporabljate izdelek, poteka izmet pokošene trave pod zadnjim pokrovom.

Vzdrževanje

Uvod



OPOZORILO: Pred izvajanjem vzdrževalnih del morate prebrati in razumeti poglavje o varnosti.

Za servisiranje in popravila na izdelku posebno usposabljanje ni potrebno. Zagotavljamo, da vam bodo na voljo strokovna popravila in servisiranje. Če vaš prodajalec ni pooblaščen serviser, ga povprašajte, kje je naslednja najbližja pooblaščen servisna delavnica.

Urnik vzdrževanja



POZOR: Ko izdelek nagibate mora biti zračni filter na zgornji strani in ne sme biti bližje tlom. Nevarnost poškodb motorja.

Izračunani intervali vzdrževanja veljajo za vsakodnevno uporabo izdelka. Intervali se spremenijo, če izdelek ne uporabljate vsakodnevno.

Vzdrževalni posegi, označeni z *, veljajo za navodila v *Varnostne naprave na izdelku na strani 351.*

Vzdrževanje	Dnevno	Mesečno	Vsako sezono
Opravite splošen pregled	X		
Preverite nivo olja	X		
Zamenjajte olje (prvič po 5 urah uporabe, potem po vsakih 50 urah uporabe) ¹⁶²			X
Izdelek očistite	X		
Preglejte rezalno opremo	X		
Preglejte pokrov rezila *	X		
Preglejte ročico zavore motorja *	X		
Preglejte dušilnik *		X	
Preglejte svečko. Po potrebi očistite ali zamenjajte svečko.			X
Preglejte zračni filter	X		
Očistite zračni filter ¹⁶³		X	
Zamenjajte zračni filter			X
Preglejte sistem za gorivo			X
Očistite hladilna rebra na valju.		X	
Preglejte in nastavite žico za sklopko (LC 151S, LB 251S, LB 256SP)			X
Očistite pod zaščitnim pokrovom menjalnika (LB 251S)			X

Izvajanje splošnih pregledov

- Prepričajte se, da so vse matice in vijaki na izdelku ustrezno priviti.

Kako čistiti zunanost izdelka

- S krtačo odstranite listje, travo in umazanijo.
- Prepričajte se, da dovod zraka na vrhu motorja ni oviran.
- Izdelka ne čistite z visokotlačnim čistilnikom.

¹⁶² Če izdelek uporabljate z veliko obremenitvijo ali pri visokih temperaturah okolja, zamenjajte motorno olje vsakih 25 ur.

¹⁶³ Pogosteje čistite v prašnih razmerah ali ko so prisotni delci v zraku. Če je zračni filter zelo umazan, ga zamenjajte.

- Če izdelek operete z vodo, pazite, da voda ne teče neposredno na motor.

Kako očistiti notranjo površino pokrova rezila

1. Izpraznite posodo za gorivo.
2. Nagnite izdelek. Prepričajte se, da je vžigalna svečka obrnjena navzgor.



POZOR: Če položite izdelek na stran tako, da je na tleh zračni filter, lahko poškodujete motor.

3. Izperite notranjo površino pokrova rezila z vodo.

Čiščenje pod zaščitnim pokrovom menjalnika (LB 251S)

1. Izpraznite posodo za gorivo.
2. Nagnite izdelek. Prepričajte se, da je vžigalna svečka obrnjena navzgor.



POZOR: Če položite izdelek na stran tako, da je na tleh zračni filter, lahko poškodujete motor.

3. Odvijte 7 vijakov. (Sl. 35)
4. Odstranite zaščitni pokrov menjalnika.
5. Površine očistite s krtačo.



POZOR: Voda ali umazanija pod pokrovom menjalnika lahko poškoduje menjalnik.

6. Namestite pokrov menjalnika in privijte 7 vijaka.

Kako pregledati rezalno opremo



OPOZORILO: Odstranite vžigalni kabel s svečke, da preprečite naključni vklop motorja.



OPOZORILO: Pri vzdrževanju rezalne opreme uporabite zaščitne rokavice. Rezilo je izjemno ostro, zato lahko hitro pride do urednin.

1. Preverite, ali je rezalna oprema poškodovana oziroma razpokana. Če je rezalna oprema poškodovana, jo zamenjajte.
2. Preverite, ali je rezilo poškodovano ali topo.

Opomba: Rezilo morate po brušenju postaviti v ravnovesje. Izdelek peljite na servisni center, da rezilo nabrusijo, zamenjajo in uravnovesijo. Če trčite ob oviro in se izdelek ustavi, zamenjajte poškodovano rezilo. Pooblaščen servisna delavnica naj oceni, ali lahko rezilo izostrijo ali pa ga je treba zamenjati.

Zamenjava rezil

1. Rezilo blokirajte z leseno klado. (Sl. 36)
2. Odstranite vijak rezila.
3. Odstranite rezilo.
4. Preglejte, ali sta nosilec in vijak rezila poškodovana.
5. Preglejte, ali je motorna gred zvita.
6. Ko pritrđite novo rezilo, usmerite nagnjene strani rezila v smer pokrova rezila. (Sl. 37)
7. Prepričajte se, da je rezilo poravnano s središčem motorne gredi.
8. Rezilo blokirajte z leseno klado. Pritrdite podložko vzmeti in privijte vijak in podložko z zateznim momentom 43 – 47 Nm. (Sl. 38)
9. Ročno zavrtite rezilo in se prepričajte, da se prosto obrača.



OPOZORILO: Nosite trpežne rokavice. Rezilo je izjemno ostro, zato lahko hitro pride do urednin.

10. Izdelek vklopote, da preizkusite rezilo. Če rezilo ni pritrđeno pravilno, bo izdelek vibriral, rezultat košnjeg pa ne bo zadovoljiv.

Kako preveriti nivo olja



POZOR: Če je nivo olja prenizek, se lahko poškoduje motor. Preden zaženete izdelek, preverite nivo olja.

1. Izdelek naj bo na ravnih tleh.
2. Odstranite pokrov rezervoarja olja s priloženo merilno palico.
3. Z merilne palice očistite olje.
4. Merilno palico do konca vstavite v rezervoar olja, da dobite pravi nivo olja.
5. Odstranite merilno palico.
6. Na merilni palici preučite nivo olja.
7. Če je nivo olja nizek, dolijte motorno olje in še enkrat preverite nivo olja.

Zamenjava motornega olja



OPOZORILO: Tik po zaustavitvi motorja je motorno olje zelo vroče. Preden iztočite motorno olje, se motor mora ohladiti. Če polijete motorno olje po koži, se umijte z milom in vodo.

(Sl. 39)

1. Izdelek uporabljajte, dokler imate v rezervoarju gorivo.
2. S svečke odstranite vžigalni kabel.
3. Odstranite pokrovček posode za olje.

- Pod izdelek postavite posodo, kamor se bo izteklo motorno olje.
- Izdelek nagnite, da iz rezervoarja olja izteče motorno olje.
- Dolijte novo motorno olje, priporočila najdete v *Tehnični podatki na strani 360*.
- Preverite nivo olja. Glejte razdelek *Kako preveriti nivo olja na strani 356*.

Pregled svečke



POZOR: Vedno uporabljajte priporočeno vrsto svečke. Zaradi neustrezne vrste vžigalne svečke se izdelek lahko poškoduje.

- Če se moč motorja zmanjša, motorja ni mogoče enostavno zagnati ali ta ne deluje ustrezno v prostem teku, preglejte vžigalno svečko.
- Tveganje za pojav oblog na elektrodah vžigalne svečke lahko zmanjšate tako, da upoštevate ta navodila:
 - Hitrost prostega teka mora biti pravilno nastavljena.
 - Mešanica goriva mora biti ustrezna.
 - Zračni filter mora biti čist.
- Če je vžigalna svečka umazana, jo očistite in zagotovite, da je razmak med elektrodama ustrezen; glejte *Tehnični podatki na strani 360*. (Sl. 40)
- Vžigalno svečko po potrebi zamenjajte.

Zračni filter

Umazan zračni filter lahko povzroči poškodbe ali nepravilno delovanje motorja. V prašnih pogojih pogosteje čistite zračni filter. Za navodila, kdaj je treba zamenjati zračni filter, si oglejte razdelek *Vzdrževanje na strani 355*.

Opomba: Če je zračni filter poškodovan, ga zamenjajte.

Čiščenje in pregled zračnega filtra



OPOZORILO: Uporabljajte zaščitne rokavice.

- Potisnite objemke na pokrovu zračnega filtra.
- Previdno odstranite pokrov zračnega filtra (A) z motorja.
- Odstranite zračni filter (B). (Sl. 41)
- Preverite, ali je zračni filter poškodovan. Če je zračni filter poškodovan, ga zamenjajte.
- Očistite in preglejte zračni filter. Glejte *Čiščenje zračnega filtra na strani 357*.
- Namestitev poteka v obratnem vrstnem redu.

Čiščenje zračnega filtra

Umazan zračni filter lahko povzroči poškodbe ali nepravilno delovanje motorja. V prašnih pogojih pogosteje čistite čistilec zraka.

Za navodila, kdaj je treba zamenjati zračni filter, glejte *Vzdrževanje na strani 355*.

- Odstranite pokrov zračnega filtra in filter.
- Očistite filter tako, da z njim udarite ob ravno površino. Za čiščenje filtra ne uporabljajte topil s petrolejem, kerozina ali komprimiranega zraka.

Opomba: Zračnih filtrov, ki jih uporabljate že dolgo, ni mogoče povsem očistiti. Zračni filter zamenjajte v rednih intervalih. Poškodovane zračne filtre obvezno zamenjajte.

- Pri namestitvi zračnega filtra bodite pozorni, da se povsem nalega ob nosilec filtra.

Preverjanje deflektorja za stranski izmet

Deflektor za stranski izmet je pritrjen na odprtino za stranski izmet na izdelku. Tako zmanjšuje nevarnost izmeta predmetov proti uporabniku, ki kosi.

- Prepričajte se, da deflektor za stranski izmet ni poškodovan.
- Preglejte deflektor za stranski izmet. Ne sme biti opaznih napak, kot so razpoke ali zlomljene vzmeti, ki zapirajo vrata.
- Če so deflektor za stranski izmet ali vzmeti poškodovani, jih zamenjajte.

Kako pregledati sistem za gorivo

- Preverite, ali sta pokrov rezervoarja za gorivo in tesnilo pokrova rezervoarja za gorivo poškodovana.
- Preverite, ali cev za gorivo pušča. Če je cev za gorivo poškodovana, naj jo pooblaščen servisna delavnica zamenja.

Kako nastaviti pletenico sklopke (LC 151S, LB 251S, LB 256SP)

V naslednjih primerih je treba pletenico sklopke skrajšati:

- Ko potegneta pogonsko ročico ali ročico za nadzor hitrosti, se pogon koles ne aktivira.
- Ko je pogon koles aktiviran, se izdelek premika počasi.

V naslednjih primerih je treba pletenico sklopke podaljšati:

- Izdelek se premika, ko pogon koles ni aktiviran.
- Nastavite pletenico sklopke.
 - Če želite skrajšati pletenico sklopke, nastavitveni vijak obračajte v nasprotni smeri urinega kazalca.

b) Če želite pletenico sklopke podaljšati, nastavitveni vijak obračajte v smeri urinega kazalca. (Sl. 42)

Če vožnja izdelka tudi po nastavitvi ni primerna, se obrnite na servisnega zastopnika.

Odpravljanje težav z motorjem

Težava	Možen vzrok	Rešitev
Motorja ni mogoče zagnati.	Vžigalni kabel ni pravilno priključen.	Vžigalni kabel priklopite na svečko.
	Rezervoar za gorivo je prazen.	Rezervoar za gorivo napolnite z ustrezno vrsto goriva.
	Gorivo je staro.	Iztočite rezervoar za gorivo in uplinjalnik. Dolijte novo gorivo.
	V uplinjaču ali vodu za gorivo je umazanija.	Očistite uplinjač in/ali vod za gorivo.
	Svečka je poškodovana.	Nastavite razmak med elektrodama, očistite ali pa zamenjajte svečko.
	Na vžigalniki svečki je prisotno gorivo.	Očistite svečko.
Motorja ni mogoče zaustaviti.	Mehanizem za zaustavitev je pokvarjen.	S svečke odstranite vžigalni kabel. Popravilo izdelka naj izvede pooblaščen servisna delavnica.
Motor ne deluje gladko.	Vžigalni kabel ni pravilno priključen.	Vžigalni kabel priklopite na svečko.
	V vodu za gorivo je umazanija ali pa je izteklo gorivo.	Očistite vod za gorivo. V rezervoar za gorivo nalijte novo gorivo ustreznega tipa.
	V pokrovu rezervoarja za gorivo je prisotna zamašitev.	Očistite pokrovček rezervoarja za gorivo.
	V sistemu goriva je voda ali umazanija.	Izpraznite rezervoar za gorivo. V rezervoar za gorivo nalijte novo gorivo ustreznega tipa.
	Zračni filter je umazan.	Očistite zračni filter.
	Uplinjač je treba nastaviti.	Pustite, da servisni zastopnik nastavi uplinjač.
Motor se pregreva.	Nivo motornega olja je prenizek.	Dolijte motorno olje.
	Pretok zraka ni zadosten.	Očistite zračni filter in ohišje zračnega filtra.
	Uplinjač je treba nastaviti.	Pustite, da servisni zastopnik nastavi uplinjač.
Pri delovanju motorja z visoko hitrostjo je prisotno nepopolno zgorevanje.	Razmak elektrod v svečki je premajhen.	Prilagodite razmak med elektrodama.
Nenavadni zvoki motorja pri normalni obremenitvi.	Neustrezna vrsta bencina.	Iztočite rezervoar za gorivo in uplinjalnik. Dolijte novo gorivo. Glejte <i>Dolivanje goriva na strani 353</i> . Če napake ne morete odpraviti, se obrnite na lokalnega servisnega zastopnika.

Težava	Možen vzrok	Rešitev
Motor pri hitrosti prostega teka ne deluje pravilno.	Vžigalna svečka je umazana, pokvarjena ali pa je razmak elektrod preširok.	Nastavite razmak med elektrodama ali pa zamenjajte svečko.
	Uplinjač je treba nastaviti.	Nastavite uplinjač.
	Zračni filter je umazan.	Očistite zračni filter.

Transport skladiščenje in odstranitev

Prevoz in skladiščenje

- Preden prevažate in skladiščite izdelek in gorivo, se prepričajte, da izdelek ne pušča in da ni hlapov. Iskre ali odprti plamen, npr. z električnih naprav ali kotlov, lahko zanetijo ogenj.
- Za prevoz in skladiščenje goriva vedno uporabite odobrene posode.
- Preden izdelek skladiščite za daljše obdobje, izpraznite rezervoar za gorivo. Gorivo zavrzite na temu primernem zbirnem mestu.
- Izdelek varno pritrdite na prevozno sredstvo, da se izognete poškodbam in nesrečam.
- Izdelek skladiščite v zaklenjenem prostoru, tako da otroci ali osebe, ki niso primerne za rokovanje z izdelkom, do izdelka ne morajo dostopati.
- Izdelek skladiščite na suhem mestu, kjer ne zmrzuje.

Odstranitev

- Upoštevajte lokalne zahteve za recikliranje in ustrezne predpise.
- Vse kemikalije, kot so motorno olje ali gorivo, zavrzite na servisnem centru ali na kakšni drugi temu primerni lokaciji.
- Ko izdelka ne uporabljate več, ga pošljite k prodajalcu Husqvarna ali pa ga zavrzite na mestu za recikliranje.

Tehnični podatki

Tehnični podatki

	LC 151	LC 151S	LB 251S	LB 256SP
Motor				
Znamka	Husqvarna	Husqvarna	Husqvarna	Husqvarna
Tip motorja	Enojni valj, 4-taktni, prisilno hlajenje z zrakom, OHV	Enojni valj, 4-taktni, prisilno hlajenje z zrakom, OHV	Enojni valj, 4-taktni, prisilno hlajenje z zrakom, OHV	Enojni valj, 4-taktni, prisilno hlajenje z zrakom, OHV
Gibna prostornina valja v cm ³	166	166	166	166
Hitrost v vrt./min	2800	2800	2800	2800
Nazivna izhodna moč motorja, kW ¹⁶⁴	2,7	2,7	2,7	2,7
Vžigalni sistem				
Svečka	Husqvarna HQT-7	Husqvarna HQT-7	Husqvarna HQT-7	Husqvarna HQT-7
Razmik elektrod, mm	0,7-0,8	0,7-0,8	0,7-0,8	0,7-0,8
Sistem za gorivo in mazanje				
Vrsta maziva za motor	Pršenje	Pršenje	Pršenje	Pršenje
Prostornina posode za gorivo v litrih	1,0	1,0	1,0	1,0
Prostornina posode za olje v litrih	0,5	0,5	0,5	0,5
Motorno olje ¹⁶⁵	Husqvarna SAE 30	Husqvarna SAE 30	Husqvarna SAE 30	Husqvarna SAE 30
Teža				
S praznimi rezervoarji v kg	31,1	32,6	32,0	33,1
Emisije hrupa¹⁶⁶				
Raven zvočne moči, izmerjena, dB(A)	96	96	95	97
Raven zvočne moči, zajamčena, L _{WA} v dB(A)	98	98	96	98
Nivoji hrupa¹⁶⁷				

¹⁶⁴ Navedena nazivna moč motorja je povprečna neto izhodna moč (pri navedenem št. vrt./min) motorja običajne proizvodnje za model motorja, umerjen po standardu SAE J1349/ISO1585. Motorji masovne proizvodnje imajo lahko drugačno vrednost. Dejanska moč motorja, nameščenega na končnem izdelku, je odvisna od delovne hitrosti, okoljskih pogojev in drugih vrednosti.

¹⁶⁵ Če olje SAE-30 uporabljate pri temperaturah, nižjih od 5 °C, obstaja nevarnost, da motor ne bo dovolj namazan. Ob tem lahko pride do poškodb motorja. Če želite ugotoviti, katero olje je primerno za nizke temperature, si oglejte razdelek *Zamenjava motornega olja na strani 356*.

¹⁶⁶ Emisije hrupa v okolje, merjene kot moč zvoka (L_{WA}), v skladu z direktivo ES 2000/14/ES.

¹⁶⁷ Zabeleženi podatki za nivo zvočnega tlaka imajo tipično statistično razpršitev (standardni odklon) 1,2 dB(A).

	LC 151	LC 151S	LB 251S	LB 256SP
Raven zvočnega tlaka pri uporabniškem ušesu v dB (A)	86	86	82	86
Ravni vibracij¹⁶⁸				
Raven vibracij ročaja, m/s ²	8,5	8,5	4,7	7,5
Rezalna oprema				
Višina reza v mm	25-75	25-75	25-75	25-75
Širina rezanja, mm	510	510	510	560
Rezalni sistem	Zbiranje/Bio-Clip®/stranski izmet	Zbiranje/Bio-Clip®/stranski izmet	BioClip®/stranski izmet	BioClip®/stranski izmet
Standardno rezilo	Zbiranje 598562601	Zbiranje 598562601	Mulčer 597683901	Mulčer 598563601
Dodatno rezilo	Mulčer 597683901	Mulčer 597683901	–	–
Kapaciteta zbiralnika za travo v litrih	65	65	–	–
Pogon				
Hitrost samohodnega pogona, km/h	–	3,6	4,0	3,6

¹⁶⁸ Zabeleženi podatki za raven vibracij imajo tipično statistično razpršitev (standardni odklon) v višini 0,2 m/s².

Izjava ES o skladnosti

Izjava ES o skladnosti

Husqvarna AB, SE-561 82 Huskvarna, Sweden, tel: +46-36-146500, izjavlja, da je kosilnica **Husqvarna LC 151, LC 151S, LB 251S, LB 256SP** od modelnega leta 2020 dalje v skladu z zahtevami DIREKTIVE SVETA:

- z dne 8. junija 2011 o omejevanju uporabe nekaterih nevarnih snovi v električni in elektronski opremi, **2011/65/EU**
- z dne 17. maja 2006, ki se nanaša na stroje, **2006/42/ES**
- z dne 26. februarja 2014 o elektromagnetni združljivosti **2014/30/EU**
- z dne 8. maja 2000 o emisijah hrupa v okolje **2000/14/ES**

Informacije v zvezi z emisijo hrupa so na voljo v poglavju "Tehnični podatki".

Uporabljeni so naslednji standardi:

EN ISO 5395-1:2013, EN ISO 5395-1:2013/A1, EN ISO 5395-2:2013, EN ISO 5395-2:2013/A1:2016, EN ISO 5395-2:2013/A2:2017, EN ISO 14982:2009

Če ni drugače navedeno, zgoraj navedeni standardi veljajo kot najnovejše objavljene različice.

Priglašeni organ (LC 151, LC 151S, LB 256SP): **0036, TÜV SÜD Industrie Service GmbH, Westendstrasse 199, 80686 München, Germany** je opravil oceno skladnosti v skladu s prilogo VI direktive 2000/14/ES.

Priglašeni organ (LB 251S): **0404, RISE SMP Svensk Maskinprovning AB, Box 7035, SE-750 07 Uppsala, Sweden** je opravil oceno skladnosti v skladu s prilogo VI direktive 2000/14/ES.

Huskvarna, 2020-10-20



Claes Losdal, Vodja oddelka za razvoj vrtnih opreme (Pooblaščen zastopnik družbe Husqvarna AB in odgovorni za sestavo tehnične dokumentacije.)

Sadržaj

Uvod.....	363	Rešavanje problema sa motorom.....	372
Bezbednost.....	364	Transport, skladištenje i odlaganje.....	373
Sklapanje.....	367	Tehnički podaci.....	374
Rukovanje.....	367	EZ deklaracija o usaglašenosti.....	376
Održavanje.....	369		

Uvod

Opis proizvoda

Proizvod je rotaciona kosačica koju kontroliše rukovalac. Za LC 151, LC 151S, postavite okvir hvatača trave ako želite da skupljate travu. Postavite usmerivač za bočno pražnjenje ako želite da se trava izbacuje bočno. Za LC 151, LC 151S, postavite komplet za usitnjavanje trave radi kompostiranja.

Pregled proizvoda

(Sl. 1)

1. Upravljačka drška
2. Ručica kočnice motora
3. Pritiskivač pogona (LC 151S, LB 256SP)
4. Poluga za pokretanje (LB 251S)
5. Zadnji poklopac (LC 151, LC 151S)
6. Hvatač trave (LC 151, LC 151S)
7. Dugmad za podešavanje visine ručice
8. Poluga visine košenja
9. Poklopac rezervoara za ulje i šipka za merenje
10. Poklopac bočnog pražnjenja
11. Prigušivač
12. Svećica
13. Karburator
14. Poklopac rezervoara za gorivo
15. Simboli
16. Poklopac košenja
17. Filter za vazduh
18. Bočni usmerivač
19. Komplet za usitnjavanje (dodatak za LC 151, LC 151S)
20. Ručica uzeta startera
21. Korisničko uputstvo

Simboli na proizvodu

- (Sl. 2) **UPOZORENJE!** Budite pažljivi i koristite proizvod na pravilan način. Ovaj proizvod može prouzrokovati teške telesne povrede ili smrt rukovaoca i drugih osoba.

Namena

Koristite proizvod za košenje trave. Nemojte koristiti proizvod za druge zadatke.

- (Sl. 3) Pre korišćenja pažljivo pročitajte korisničko uputstvo i budite sigurni da razumete njegov sadržaj.
- (Sl. 4) Pazite na odbačene predmete i odskakivanja.
- (Sl. 5) Pazite da ljudi i životinje budu na bezbednoj udaljenosti od radnog područja.
- (Sl. 6) Upozorenje: Udaljite šake i stopala od rotirajućeg sečiva.
- (Sl. 7) Upozorenje: Udaljite šake i stopala od rotirajućih delova.
- (Sl. 8) Zaustavite motor i uklonite kabl za paljenje pre popravki i održavanja.
- (Sl. 9) Ovaj proizvod je u saglasnosti sa važećim Direktivama EZ.
- (Sl. 10) Emisije buke u životnoj sredini prema direktivi Evropske zajednice. Emisije proizvoda su navedene u poglavlju Tehnički podaci i na nalepnici.
- (Sl. 11) Rizik od požara.
- (Sl. 12) Ne udišite izduvne gasove. Izduvni gasovi iz motora sadrže ugljen-monoksid, otrovan i veoma opasan gas bez mirisa. Nemojte puštati motor u rad u zatvorenim prostorima.
- (Sl. 13) Vruća površina.
- (Sl. 14) Napunite motor uljem pre pokretanja proizvoda.

Napomena: Drugi simboli/oznake na proizvodu odnose se na zahteve za sertifikaciju za određene komercijalne oblasti.

Odgovornost za proizvod

Kako je izloženo u zakonima o odgovornosti za proizvode, mi nismo odgovorni za oštećenja prouzrokovana našim proizvodom u sledećim slučajevima:

- proizvod je popravljen na pogrešan način
- proizvod je popravljen korišćenjem delova koji nisu napravljeni ili odobreni od strane proizvođača

- proizvod ima opremu koja ne potiče ili nije odobrena od strane proizvođača
- proizvod nije popravljen u ovlašćenom servisnom centru ili od strane ovlašćenog stručnjaka

Emisije Euro V.



UPOZORENJE: Neovlašćene prepravke motora poništavaju EU tip odobrenja za ovaj proizvod.

Bezbednost

Bezbednosne definicije

Upozorenja, mere opreza i napomene se koriste da ukažu na naročito važne delove korisničkog uputstva.



UPOZORENJE: Koristi se ako, usled nepoštovanja uputstava, postoji rizik od nastanka telesnih povreda ili smrti kod rukovaoca ili prisutnih osoba.



OPREZ: Koristi se ako, usled nepoštovanja uputstava, postoji rizik od nastanka oštećenja na proizvodu, drugim materijalima ili susednim oblastima.

Napomena: Koristi se za pružanje više informacija koje su neophodne u datoj situaciji.

Opšta bezbednosna uputstva



UPOZORENJE: Pročitajte upozoravajuća uputstva koja slede pre korišćenja proizvoda.

- Proizvod je opasan ako se koristi na nepravilan način ili ako niste oprezni. Može doći do telesne povrede ili smrti ako se ne pridržavate bezbednosnih uputstava.
- Ovaj proizvod pri radu stvara elektromagnetno polje. Ovo polje u određenim uslovima može da izazove smetnje na aktivnim i pasivnim medicinskim implantatima. U cilju smanjenja rizika od uslova nastanka teških ili smrtnih telesnih povreda, preporučujemo osobama koje imaju medicinske implantate da se pre upotrebe ovog proizvoda konsultuju sa lekarom ili proizvođačem implantata.
- Uvek budite pažljivi i koristite zdrav razum. Ako niste sigurni kako da rukujete proizvodom u određenoj situaciji, prekinite rad i obratite se Husqvarna prodavcu pre nastavka rada.

- Imajte na umu da će se rukovalac smatrati odgovornim za nesrećne slučajeve koji uključuju druge osobe ili njihovu imovinu.
- Održavajte proizvod čistim. Pobrinite se da jasno možete pročitati znakove i nalepnice.
- Nemojte dozvoliti da druga osoba koristi proizvod osim ako se niste uverili da je pročitala i razumela sadržaj korisničkog uputstva.
- Nemojte dozvoliti da dete rukuje proizvodom.
- Vodite računa o tome da deca ne budu u radnom području. Odgovorna odrasla osoba mora biti prisutna sve vreme.
- Nemojte dozvoliti da osoba, bez znanja u pogledu uputstava, rukuje proizvodom.
- Uvek nadzirite osobu sa smanjenim fizičkim ili mentalnim sposobnostima koja koristi proizvod. Odgovorna odrasla osoba mora biti prisutna sve vreme.
- Nemojte da koristite proizvod kada ste umorni, bolesni ili pod uticajem alkohola, droge ili lekova. To ima negativan uticaj na vašu moć vida, opreznost, koordinaciju i rasuđivanje.
- Nemojte da koristite proizvod ako je pokvaren.
- Nemojte vršiti izmene na proizvodu i nemojte koristiti proizvod ako postoji mogućnost da su druge osobe vršile izmene na njemu.
- Nemojte da menjate podešavanje za kontrolu brzine motora.

Bezbednost u oblasti rada



UPOZORENJE: Pročitajte upozoravajuća uputstva koja slede pre korišćenja proizvoda.

- Uklonite predmete kao što su grane, grančice i kamenje iz radnog područja pre nego što počnete da koristite proizvod.
- Predmeti koji udare o opremu za košenje mogu da budu izbačeni i izazovu povredu osoba ili oštećenje predmeta. Pazite da prisutne osobe i životinje budu na bezbednoj udaljenosti od proizvoda.

- Nikada nemojte koristiti proizvod u lošim vremenskim uslovima kao što su magla, kiša, jak vetar, intenzivna hladnoća i kada postoji opasnost od pojave munja. Korišćenje proizvoda u lošim vremenskim uslovima ili na vlažnim lokacijama je zamorno. Loši vremenski uslovi mogu da izazovu opasne okolnosti, kao što su klizave površine.
- Vodite računa o osobama, predmetima i situacijama koji bi mogli da spreče bezbedan rad proizvoda.
- Pazite na prepreke, kao što su korenje, kamenje, grančice, jame i jarci. Visoka trava može da sakrije prepreke.
- Košenje trave na nagibima može biti opasno. Nemojte koristiti proizvod na terenu koji ima nagib veći od 15°.
- Rukujte proizvodom preko prednjih strana nagiba. Nemojte ga pomerati gore i dole.
- Budite pažljivi kada se približavate skrivenim uglovima i predmetima koji bi mogli da blokiraju vaš vidik.
- Vodite računa da svi točkici ostanu na tlu i držite dve ruke na ručki kada rukujete proizvodom. Udaljite šake i stopala od rotirajućih sečiva.
- Nemojte naginjati proizvod kada je motor pokrenut.
- Budite pažljivi kada povlačite proizvod unazad.
- Nikada nemojte podizati proizvod kada je motor pokrenut. Ako morate da podignete proizvod, prvo isključite motor i odvojte kabl za paljenje sa svećice.
- Nemojte hodati unazad kada radite sa proizvodom.
- Zaustavite motor kada se krećete preko područja bez trave, na primer, stazica napravljenih od šljunka, kamena i asfalta.
- Ne trčite sa proizvodom ako mu radi motor. Uvek hodajte kada radite sa proizvodom.
- Zaustavite motor pre nego što promenite visinu košenja. Nikada nemojte da vršite podešavanje dok je motor pokrenut.
- Nikada nemojte dozvoliti da proizvod ostane bez nadzora dok je motor pokrenut. Zaustavite motor i uverite se da se oprema za košenje ne okreće.

Bezbednost na radu



UPOZORENJE: Pročitajte upozoravajuća uputstva koja slede pre korišćenja proizvoda.

- Koristite ovaj proizvod samo za košenje travnjaka. Nije dozvoljeno njegovo korišćenje za druge zadatke.
- Koristite ličnu zaštitnu opremu. Pogledajte *Lična zaštitna oprema na stranici 365*.
- Naučite kako da brzo zaustavite motor u slučaju opasnosti.
- Nemojte da pokrećete motor u zatvorenom prostoru ili blizu zapaljivih materijala. Izduvni gasovi motora su vreli i mogu da sadrže varnice, što može izazvati požar.
- Nemojte raditi sa proizvodom ako sečivo i svi poklopci nisu pravilno postavljeni. Nepravilno postavljeno sečivo se može otkaçiti i prouzrokovati telesnu povredu.
- Pobrinite se da sečivo ne udara o predmete kao što su kamenje ili korenje. To može dovesti do oštećenja noža i savijanja osovine motora. Savijena osovina proizvodi velike vibracije i postoji povećana opasnost da se sečivo olabavi.
- Ako sečivo udari o predmet ili ako se pojave vibracije, odmah zaustavite proizvod. Uklonite kabl za paljenje sa svećice. Pregledajte proizvod u pogledu oštećenja. Otklonite oštećenja ili dozvolite ovlašćenom servisnom agentu da izvrši popravku.
- Nemojte postavljati ručicu kočnice motora trajno na ručku kada je motor pokrenut.
- Postavite proizvod na stabilnu, ravnu površinu i pokrenite ga. Vodite računa da sečivo ne dodiruje tlo ili druge predmete.
- Uvek stojte iza proizvoda kada radite sa njim.

Bezbednosna uputstva za rad

Lična zaštitna oprema



UPOZORENJE: Pročitajte upozoravajuća uputstva koja slede pre korišćenja proizvoda.

- Lična zaštitna oprema ne može da u potpunosti spreči telesnu povredu, ali ona smanjuje stepen telesne povrede ako dođe do nesrećnog slučaja. Neka vam vaš prodavac pomogne u izboru odgovarajuće opreme.
- Koristite zaštitu za uši ako je nivo buke iznad 85 dB.
- Nosite čvrste neklizajuće cizme ili cipele. Nemojte nositi obuću sa otvorenim prstima ili ica bosonogi.
- Uvek nosite duge pantalone od čvrstog materijala.
- Nosite zaštitne rukavice po potrebi, na primer, kada pričvršćujete, pregledate ili čistite opremu za košenje.

Bezbednosni uređaji na proizvodu



UPOZORENJE: Pročitajte upozoravajuća uputstva koja slede pre korišćenja proizvoda.

- Nemojte koristiti proizvod na kojem su oštećeni bezbednosni uređaji.
- Redovno proveravajte bezbednosne uređaje. Ako su bezbednosni uređaji neispravni, obratite se svom Husqvarna servisnom agentu.

Provera poklopcu mehanizma za košenje

Poklopac mehanizma za košenje smanjuje vibracije u proizvodu, kao i rizik od povrede nožem.

- Pregledajte poklopac košenja kako biste se uverili da nema oštećenja kao što su naprsline.

Provera ručice kočnice motora

Ručica kočnice motora zaustavlja motor. Kada je ručica kočnice motora otpuštena, motor se zaustavlja.

- Pokrenite motor, a zatim otpustite ručicu kočnice motora. Ako se motor ne zaustavi u roku od 3 sekunde, neka ovlašćeni Husqvarna serviser izvrši podešavanje kočnice motora. (Sl. 15)

Provera zadnjeg poklopca

Zadnji usmerivač smanjuje rizik da predmeti budu izbačeni u smeru rukovaoca.

- Uverite se da zadnji poklopac nije oštećen.
- Uverite se da opruge koje zatvaraju zadnji poklopac nisu polomljene.
- Zamenite polomljene opruge i oštećene delove.
- Uverite se da se zadnji poklopac može slobodno pomerati na šarkama.

Prigušivač

Prigušivač održava nivo buke na minimumu i šalje izduvne gasove od rukovaoca.

Ne koristite proizvod ako prigušivač nedostaje ili je oštećen. Oštećeni prigušivač povećava nivo buke i rizik od požara.



UPOZORENJE: Prigušivač postaje veoma vruć tokom i nakon korišćenja i kada motor radi pri brzini praznog hoda. Budite pažljivi u blizini zapaljivih materijala i/ili isparenja kako biste sprečili požar.

Da biste proverili prigušivač

- Redovno proveravajte prigušivač kako biste se uverili da je ispravno postavljen i da nije oštećen.

Bezbednost oko goriva



UPOZORENJE: Pročitajte upozoravajuća uputstva koja slede pre korišćenja proizvoda.

- Nemojte pokretati proizvod ako na njemu postoje tragovi goriva ili motornog ulja. Uklonite neželjeno gorivo/ulje i sačekajte da se proizvod osuši.
- Ako prospete gorivo na odeću, odmah je presvucite.
- Nemojte dozvoliti da gorivo dospe na vaše telo, ono može izazvati telesnu povredu. Ako vam gorivo dospe na telo, uklonite ga vodom i sapunom.
- Nemojte pokretati proizvod ako postoji curenje iz motora. Redovno proveravajte da li postoji curenje iz motora.

- Budite oprezni pri rukovanju gorivom. Gorivo je zapaljivo a isparenja su eksplozivna i mogu izazvati telesne povrede ili smrt.
- Nemojte udisati isparenja goriva, to može izazvati telesnu povredu. Pobrinite se da ima dovoljno protoka vazduha.
- Nemojte pušiti u blizini goriva ili motora.
- Nemojte stavljati vruće predmete blizu goriva ili motora.
- Nemojte dolivati gorivo kada motor radi.
- Uverite se da je motor hladan pre dopunjavanja goriva.
- Pre dopunjavanja goriva, lagano otvorite poklopac rezervoara za gorivo i pažljivo otpustite pritisak.
- Nemojte dolivati gorivo u motor u zatvorenom prostoru. Nedovoljan protok vazduha može izazvati telesnu povredu ili smrt usled gušenja ili prisustva ugljen-monoksida.
- Do kraja zategnite čep rezervoara za gorivo. Ako čep rezervoara za gorivo nije zategnut, postoji opasnost od požara.
- Izmaknite proizvod bar 3 m / 10 stopa od mesta na kojem ste napunili rezervoar pre pokretanja.
- Ne punite rezervoar za gorivo do vrha. Toplota izaziva širenje goriva. Ostavite prazan prostor na vrhu rezervoara za gorivo.

Bezbednosna uputstva za održavanje



UPOZORENJE: Pročitajte upozoravajuća uputstva koja slede pre korišćenja proizvoda.

- Izduvni gasovi iz motora sadrže ugljen-monoksid, otrovan i veoma opasan gas bez mirisa. Nemojte puštati motor u rad u zatvorenim prostorima.
- Pre održavanja proizvoda zaustavite motor i uklonite kabl za paljenje sa svećice.
- Nosite zaštitne rukavice kada vršite održavanje na opremi za košenje. Sečivo je veoma oštro i lako dolazi do posekotina.
- Oprema i izmene na proizvodu koji nisu odobreni od strane proizvođača mogu da izazovu teške telesne povrede ili smrt. Nemojte vršiti izmene na proizvodu. Koristite samo delove koje je odobrio proizvođač.
- Ako se održavanje ne vrši na ispravan način i redovno, raste rizik od telesnih povreda i oštećenja proizvoda.
- Vršite samo održavanja opisana u ovom korisničkom uputstvu. Ostalo servisiranje mora da obavlja ovlašćeni Husqvarna serviser.
- Neka ovlašćeni Husqvarna servisni agent redovno vrši servisiranja proizvoda.
- Zamenite oštećene, pohabane ili pokvarene delove.

Sklapanje

Uvod



UPOZORENJE: Pre sklapanja proizvoda, morate pročitati i razumeti poglavlje o bezbednosti.



UPOZORENJE: Uklonite kabl svećice sa svećice pre sklapanja proizvoda.

Sklapanje ručke

1. Gurnite zavrtanj (A) kroz ručku (B), plastičnu podlošku (C) i nosač ručke (D). (Sl. 16)
2. Pritegnite navrtku (E) do kraja.
3. Gurnite zavrtanj (F) kroz podlošku (G) i nosač ručke. (Sl. 17)
4. Potpuno zategnite točkić (H).

Podešavanje ručke

1. Olabavite donju dugmad.
2. Pomerite dugmad u donji kraj žlebova na levoj i desnoj strani proizvoda. (Sl. 18)
3. Stavite ručku u jedan od 2 položaja za visinu.
4. Pomerite dugmad nagore u smeru ručke dok se ne zaustave i ne čujete klik zvuk. (Sl. 19)

5. Potpuno zategnite dugmad.

Stavljanje proizvoda u položaj za transport

1. Olabavite donju dugmad.
2. Pomerite dugmad u donji kraj žlebova na levoj i desnoj strani proizvoda. (Sl. 18)
3. Sklopite ručku unapred. (Sl. 20)

Stavljanje proizvoda u položaj za rad

1. Savijte ručku u uspravan položaj. (Sl. 21)
2. Pomerite dugmad nagore u smeru ručke dok se ne zaustave i ne čujete klik zvuk. (Sl. 19)
3. Potpuno zategnite dugmad.

Sklapanje hvatača trave (LC 151, LC 151S)

1. Postavite ram hvatača trave na vreću za travu tako da krut deo vreće bude na dnu. Držite ručku rama izvan vrha vreće. (Sl. 22)
2. Postavite vreću za travu na ram pomoću spojnica. (Sl. 23)

Rukovanje

Uvod



UPOZORENJE: Pre rada sa proizvodom, morate pročitati i razumeti poglavlje o bezbednosti.

Husqvarna Connect

Husqvarna Connect je besplatna aplikacija za mobilne uređaje. Aplikacija Husqvarna Connect pruža proširene funkcije za proizvod Husqvarna:

- Dodatne informacije o proizvodu.
- Informacije o delovima proizvoda i servisiranju i pomoći u vezi s njima.

Da biste počeli koristiti Husqvarna Connect

1. Preuzmite aplikaciju Husqvarna Connect na svoj mobilni uređaj.
2. Registrirajte se u aplikaciji Husqvarna Connect.
3. Pratite uputstva u aplikaciji Husqvarna Connect da biste se spojili i registrovali proizvod.

Pre rada sa proizvodom

1. Pažljivo pročitajte korisničko uputstvo i budite sigurni da razumete njegov sadržaj.
2. Pregledajte opremu za košenje i uverite se da je pravilno postavljena i podešena. Pogledajte *Pregled opreme za košenje na stranici 370*.
3. Napunite rezervoar za gorivo. Pogledajte *Dosipanje goriva na stranici 367*.
4. Napunite rezervoar za ulje i proverite nivo ulja. Pogledajte *Provera nivoa ulja na stranici 371*.

Dosipanje goriva

Ako je dostupan, koristite alkilatni benzin / benzin koji proizvodi manju količinu štetnih izduvnih gasova. Ako vam nije dostupan alkilatni benzin / benzin koji proizvodi manju količinu štetnih izduvnih gasova, koristite bezolovni benzin ili benzin sa olovom čiji oktanski broj nije manji od 90.



OPREZ: Nemojte koristiti benzin sa oktanskim brojem manjim od 90 RON (87

AKI). To može prouzrokovati oštećenje proizvoda.

1. Polako otvorite čep rezervoara za gorivo da biste izjednačili pritisak.
2. Polako napunite iz kanistera za gorivo. Ako prospete gorivo, obrišite ga krpom i sačekajte da se preostalo gorivo osuši. (Sl. 24)
3. Obrišite deo oko čepa rezervoara za gorivo.
4. Do kraja zategnite čep rezervoara za gorivo. Ako čep rezervoara za gorivo nije zategnut, postoji opasnost od požara.
5. Iznaknite proizvod bar 3 m (10 stopa) od mesta na kojem ste sipali gorivo pre pokretanja.

Podešavanje visine košenja

1. Pomerite polugu visine košenja unazad da biste povećali visinu košenja.
2. Pomerite polugu visine košenja unapred da biste smanjili visinu košenja. (Sl. 25)



OPREZ: Nemojte postavljati visinu košenja suviše nisko. Sečiva mogu da udare o tlo ako površina travnjaka nije ujednačena.

Pokretanje proizvoda

1. Proverite da li je kabl za paljenje povezan sa svećicom.
2. Stanite iza proizvoda.
3. Držite ručicu kočnice motora naspram upravljača. (Sl. 26)
4. Držite ručicu užeta startera desnom rukom.
5. Lagano izvlačite užu startera dok ne osetite otpor.
6. Snažno povucite da biste pokrenuli motor.



UPOZORENJE: Nemojte namotavati užu startera oko ruke.

Korišćenje pogona na točkicama LC 151S & LB 256SP

- Gurnite pritiskivač pogona u smeru upravljača. (Sl. 27)
- Otpustite pritiskivač pogona da biste deaktivirali pogon, na primer, kada se nalazite blizu prepreke.
- Pre nego što povučete proizvod unazad, odvojte pogon i gurnite proizvod ka napred približno 10 cm.

Korišćenje pogona na točkicama (LB 251S)

- Povucite ručicu pogona u smeru ručice. (Sl. 28)

- Gurnite ručicu pogona dalje od ručke da biste deaktivirali pogon, na primer, kada se nalazite blizu prepreke.

Napomena: Pogonska ručica se automatski deaktivira kad pustite ručicu kočnice motora.

- Pre nego što povučete proizvod unazad, gurnite pogonsku ručicu dalje od drške i gurnite proizvod unapred oko 10 cm da biste potpuno odvojili pogon.

Zaustavljanje proizvoda

- Da biste zaustavili samo pogon, otpustite pritiskivač pogona (LC 151S, LB 256SP) na pogonskoj ručici (LB 251S).
- Da biste zaustavili motor, pustite ručicu kočnice motora.

Korišćenje proizvoda sa hvatačem trave (LC 151, LC 151S)



UPOZORENJE: Nemojte raditi sa proizvodom bez postavljenog hvatača trave ili bez zatvorenog zadnjeg poklopca. Predmeti mogu da budu izbačeni i prouzrokuju povredu rukovaoca.

1. Podignite zadnji poklopac i uklonite zapušač za usitnjavanje ako je postavljen. (Sl. 29)
2. Sklopite hvatač trave, pogledajte *Sklopanje hvatača trave (LC 151, LC 151S) na stranici 367*.
3. Postavite hvatač trave na držač.
4. Otpustite zadnji poklopac i postavite ga na vrh rama vreće za travu. (Sl. 30)

Promena proizvoda u režim za usitnjavanje (LC 151, LC 151S)

Uverite se da je motor isključen pre pripreme proizvoda za režim usitnjavanja.

1. Podignite zadnji poklopac i uklonite hvatač trave ako je postavljen.
2. Postavite zatvarač za usitnjavanje u kanal za izbacivanje trave. (Sl. 31)
3. Zatvorite zadnji poklopac i uverite se da dobro naleže na zapušač za usitnjavanje.
4. Zamenite nož nožem za usitnjavanje iz kompleta za usitnjavanje. Pogledajte *Zamena noža na stranici 370*.

Promena proizvoda u režim bočnog pražnjenja

1. Podignite zadnji poklopac i uklonite vreću za travu ako je postavljena.
2. Zatvorite zadnji poklopac i uverite se da dobro naleže na proizvod.
3. Podignite blokadu pražnjenja. (Sl. 32)

- Otvorite poklopac za bočno pražnjenje i postavite bočni usmeravač na osovince. (Sl. 33)
- Neka se poklopac za bočno pražnjenje nasloni na usmeravač. Uverite se da usmeravač bočno izbacivanje dobro naleže na mesto pre korišćenja proizvoda.

Pražnjenje hvatača trave



OPREZ: Podignite hvatač trave kada ga pomerite da biste sprečili habanje.

- Podignite hvatač trave sa ručkom rama.
- Upotrebite ručku rama i ručku trave kada praznite hvatač trave. (Sl. 34)

Za dobre rezultate

- Uvek koristite oštro sečivo. Tupo sečivo daje neujednačeni rezultat i pokošena površina trave

postaje žuta. Oštro sečivo takođe koristi manje energije nego tupo sečivo.

- Nemojte kositi više od $\frac{1}{3}$ dužine trave. Kad počnete da kosite travu, koristite najveću visinu košenja. Pregledajte rezultat i spustite visinu košenja na prihvatljiviji nivo. Ako je trava veoma visoka, vozite polako i kosite 2 puta ako bude potrebno.
- Kosite u različitim smerovima svaki put da biste izbegli pruge na travnjaku.
- Podignite zadnji poklopac i uklonite hvatač trave.
- Ako su postavljeni zatvarač za usitnjavanje i nož za usitnjavanje, uklonite ih.
- Zatvorite zadnji poklopac pre rada proizvodom. Kad koristite proizvod, pokošena trava se izbacuje ispod zadnjeg poklopca.

Održavanje

Uvod



UPOZORENJE: Pre održavanja, morate pročitati i razumeti poglavlje o bezbednosti.

Za sva servisiranja i popravke proizvoda, potrebna je specijalna obuka. Garantujemo dostupnost stručnih popravki i servisiranja. Ako vaš prodavac nije servisni agent, obratite mu se za informacije o najbližem servisnom agentu.

Šema održavanja



OPREZ: Uverite se da je filter za vazduh podignut, a ne pritisnut na tlo kad nagnete proizvod. Opasnost od oštećenja motora.

Intervali održavanja su izračunati na osnovu svakodnevnog korišćenja proizvoda. Intervali se menjaju ako se proizvod ne koristi svakodnevno.

Za održavanja obeležena znakom *, pogledajte uputstva u *Bezbednosni uređaji na proizvodu na stranici 365*.

Održavanje	Dnevno	Mesečno	Svaka sezona
Izvršite generalni pregled	X		
Proverite nivo ulja	X		
Zamenite ulje (prvi put posle 5 sati rada, a zatim na svakih 50 sati rada) ¹⁶⁹			X
Očistite proizvod	X		
Pregledajte opremu za košenje	X		
Pregledajte poklopac košenja *	X		
Pregledajte ručicu kočnice motora *	X		
Pregledajte auspuh *		X	
Proverite svećicu. Očistite ili zamenite svećicu ako je potrebno			X
Pregledajte filter za vazduh	X		

¹⁶⁹ Ako proizvod radi pod teškim opterećenjem ili na visokoj temperaturi, zamenite motorno ulje svakih 25 časova.

Održavanje	Dnevno	Mesečno	Svaka sezona
Očistite filter za vazduh ¹⁷⁰		X	
Zamenite filter za vazduh			X
Pregledajte sistem za gorivo			X
Očistite rebra za hlađenje cilindra		X	
Pregledajte i podesite sajlu kvačila (LC 151S, LB 251S, LB 256SP)			X
Očistite donji deo poklopca menjača (LB 251S)			X

Vršenje opšteg pregleda

- Uverite se da su sve navrtke i zavrtnji na proizvodu ispravno pritegnuti.

Čišćenje proizvoda spolja

- Uklonite lišće, travu i prljavštinu pomoću četke.
- Uverite se da ulaz vazduha na vrhu motora nije blokiran.
- Nemojte da koristite čistač pod visokim pritiskom za čišćenje proizvoda.
- Ako koristite vodu za čišćenje proizvoda, ne polivajte motor.

Čišćenje unutrašnje površine poklopca mehanizma za košenje

1. Ispraznite rezervoar za gorivo.
2. Nagnite proizvod. Postarajte se da je svećica okrenuta nagore.



OPREZ: Ako se proizvod spusti tako da je filter za vazduh dole, motor može da se ošteti.

3. Isperite unutrašnju stranu poklopca mehanizma za košenje vodom iz creva.

Čišćenje donjeg dela poklopca menjača (LB 251S)

1. Ispraznite rezervoar za gorivo.
2. Nagnite proizvod. Postarajte se da je svećica okrenuta nagore.



OPREZ: Ako se proizvod spusti tako da je filter za vazduh dole, motor može da se ošteti.

3. Uklonite 7 zavrtanja. (Sl. 35)
4. Skinite poklopac menjača.
5. Očistite površinu četkom.



OPREZ: Voda i prljavština ispod poklopca menjača mogu da oštete menjač.

6. Postavite poklopac menjača i 7 zavrtanja.

Pregled opreme za košenje



UPOZORENJE: Da biste sprečili neželjeno pokretanje, uklonite kabl za paljenje sa svećice.



UPOZORENJE: Nosite zaštitne rukavice kada vršite održavanje na opremi za košenje. Sečivo je veoma oštro i lako dolazi do posekotine.

1. Pregledajte opremu za košenje u pogledu oštećenja ili naprslina. Uvek zamenite oštećenu opremu za košenje.
2. Pregledajte sečivo da biste videli je li oštećeno ili tupo.

Napomena: Nakon oštrenja sečiva potrebno ga je balansirati. Neka servisni centar naoštri, zameni i balansira sečivo. Ako udarite o prepreku nakon čega se proizvod zaustavi, zamenite oštećeno sečivo. Neka servisni centar odredi da li sečivo može da se naoštri ili mora da se zameni.

Zamena noža

1. Blokirate sečivo pomoću komada drveta. (Sl. 36)
2. Uklonite vijak sečiva.
3. Uklonite sečivo.
4. Pregledajte nosač sečiva i vijak sečiva kako biste videli postoje li oštećenja.
5. Pregledajte osovinu motora kako biste se uverili da nije savijena.
6. Kada postavite novo sečivo, usmerite savijene krajeve sečiva u smeru poklopca košenja. (Sl. 37)

¹⁷⁰ Čistite češće u prašnjavim uslovima ili ako ima lebedećih otpadaka. Zamenite filter za vazduh ako je veoma zaprljan.

- Pobrnite se da je nož poravnat sa sredinom osovine motora.
- Blokirajte sečivo pomoću komada drveta. Postavite opružnu podlošku i zategnite vijak i podlošku na moment pritezanja od 43 – 47 Nm. (Sl. 38)
- Povucite sečivo rukom da biste proverili da li se slobodno okreće.



UPOZORENJE: Nosite čvrste rukavice. Sečivo je veoma oštro i lako dolazi do posekotina.

- Pokrenite proizvod kako biste testirali sečivo. Ako sečivo nije ispravno postavljeno, pojaviće se vibriranje proizvoda ili rezultat košenja neće biti zadovoljavajući.

Provera nivoa ulja



OPREZ: Previše nizak nivo ulja može da ošteti motor. Proverite nivo ulja pre pokretanja proizvoda.

- Stavite proizvod na ravno tlo.
- Uklonite poklopac rezervoara za ulje sa šipkom za merenje.
- Obrišite ulje na šipki za merenje.
- Stavite šipku za merenje do kraja u rezervoar za ulje da biste tačno izmerili nivo ulja.
- Uklonite šipku za merenje.
- Očitajte nivo ulja na šipci.
- Ako je nivo ulja nizak, dospite motorno ulje i ponovo proverite nivo.

Zamena motornog ulja



UPOZORENJE: Motorno ulje je vreo neposredno nakon zaustavljanja motora. Pustite da se motor ohladi pre odlivanja motornog ulja. Ako prospete motorno ulje na kožu, sperite ga sa tela sapunom i vodom.

(Sl. 39)

- Pustite proizvod da radi dok se rezervoar za gorivo ne isprazni.
- Uklonite kabl za paljenje sa svećice.
- Uklonite poklopac rezervoara za ulje.
- Stavite posudu za skupljanje ulja ispod proizvoda.
- Nagnite proizvod da biste ispustili motorno ulje iz rezervoara za ulje.
- Sipajte novo motorno ulje tipa preporučenog u *Tehnički podaci na stranici 374*.
- Proverite nivo ulja. Pogledajte *Provera nivoa ulja na stranici 371*.

Pregled svećice



OPREZ: Uvek koristite preporučeni tip svećice. Neodgovarajući tip svećice može da ošteti proizvod.

- Pregledajte svećicu ako je snaga motora mala, ako se teško pokreće ili nepravilno radi u praznom hodu.
- Da biste smanjili rizik od nakupljanja neželjenog materijala na elektrodama svećice, poštuju sledeća uputstva:
 - Uverite se da je broj obrtaja na praznom hodu pravilno podešen.
 - Uverite se da je mešavina dobro napravljena.
 - Uverite se da je filter za vazduh čist.
- Ako je svećica prijava, očistite je i ujedno proverite da li je razmak između elektroda tačan, pogledajte *Tehnički podaci na stranici 374*. (Sl. 40)
- Zamenite svećicu ako je potrebno.

Filter za vazduh

Priljav filter za vazduh može da izazove kvar ili nepravilan rad motora. Održavajte filter za vazduh čišće ako radite u prašnjavim uslovima. Pogledajte *Održavanje na stranici 369* za informacije o vremenu zamene filtera za vazduh.

Napomena: Uvek zamenite oštećeni filter za vazduh.

Uklanjanje i postavljanje filtera za vazduh



UPOZORENJE: Koristite zaštitne rukavice.

- Gurnite spojnice poklopca filtera za vazduh.
- Pažljivo skinite poklopac filtera za vazduh (A) sa motora.
- Uklonite filter za vazduh (B). (Sl. 41)
- Proverite da li je filter za vazduh oštećen. Zamenite oštećeni filter za vazduh.
- Očistite i pregledajte filter za vazduh. Pogledajte *Čišćenje filtera za vazduh na stranici 371*
- Postavite obrnutim redosledom.

Čišćenje filtera za vazduh

Priljav filter za vazduh može da izazove kvar ili nepravilan rad motora. Održavajte filter za vazduh čišće ako radite u prašnjavim uslovima.

Pogledajte *Održavanje na stranici 369* za informacije o vremenu zamene filtera za vazduh.

- Skinite poklopac filtera za vazduh i uklonite filter.
- Očistite filter tako što ćete njime udariti o ravnu površinu. Za čišćenje filtera nemojte koristiti rastvarač koji sadrži benzin, npr. kerozin, ili komprimovani vazduh.

Napomena: Dugo korišćeni filteri za vazduh ne mogu da se potpuno očiste. Redovno menjajte filter za vazduh. Oštećeni filter vazduha mora uvek da se zameni.

3. Kad sklapate filter za vazduh, uverite se da potpuno naleže na držač filtera.

Provera bočnog usmerivača

Bočni usmeravač se postavlja na otvor za bočno izbacivanje na proizvodu. To smanjuje opasnost od izbacivanja predmeta u pravcu rukovaoca.

1. Uverite se da bočni usmerivač nije oštećen.
2. Pregledajte bočni usmeravač. Uverite se da nema oštećenja, kao što su naprsline ili pokidane opruge koje zatvaraju vrata.
3. Zamenite bočni usmerivač ili opruge ako ima oštećenja.

Pregled sistema za gorivo

- Pogledajte da li su poklopac rezervoara za gorivo i njegova zaptivka oštećeni.

- Pogledajte da li crevo za gorivo curi. Ako je crevo za gorivo oštećeno, neka ga serviser zameni.

Podešavanje sajle kvačila (LC 151S, LB 251S, LB 256SP)

U sledećim slučajevima treba skratiti sajlu kvačila:

- Pogon točkova se ne aktivira kad povučete pritiskivač pogona ili komandnu ručicu.
- Proizvod se kreće polako kad je aktiviran pogon točkova.

U sledećim slučajevima treba produžiti sajlu kvačila:

- Proizvod se kreće kad je pogon točkova nije aktiviran.
- Podesite sajlu kvačila.
 - a) Da biste skratili sajlu kvačila, okrenite zavrtnanj za podešavanje ulevo.
 - b) Da biste produžili sajlu kvačila, okrenite zavrtnanj za podešavanje udesno. (Sl. 42)

Ako se proizvod i posle podešavanja ne kreće kako bi trebalo, obratite se serviseru

Rešavanje problema sa motorom

Problem	Mogući uzrok	Rešenje
Motor ne može da se pokrene.	Kabl za paljenje nije ispravno povezan.	Povežite kabl za paljenje na svećicu.
	Rezervoar za gorivo je prazan.	Napunite rezervoar za gorivo odgovarajućim tipom goriva.
	Gorivo je staro.	Ispraznite rezervoar za gorivo i karburator. Sipajte nov benzin.
	Prljavština u karburatoru ili vodu goriva.	Očistite karburator i/ili vod goriva.
	Svećica je neispravna.	Podesite zazor elektroda, očistite ili zamenite svećicu.
	Svećica je zamašćena.	Očistite svećicu.
Motor ne može da se zaustavi.	Mehanizam za zaustavljanje je neispravan.	Uklonite kabl za paljenje sa svećice. Neka ovlašćeni serviser popravi proizvod.
Motor ne radi mirno.	Kabl za paljenje nije ispravno povezan.	Povežite kabl za paljenje na svećicu.
	Prljavština se nakupila u vodu goriva ili je istekao rok trajanja goriva.	Očistite vod goriva. Napunite rezervoar za gorivo novim gorivom odgovarajućeg tipa.
	Postoji zapušenje u poklopcu rezervoara za gorivo.	Očistite poklopac rezervoara za gorivo.
	Voda ili prljavština se nalaze u sistemu za gorivo.	Ispraznite rezervoar za gorivo. Napunite rezervoar za gorivo novim gorivom odgovarajućeg tipa.
	Filter za vazduh je zaprljan.	Očistite filter za vazduh.
	Potrebno je podesiti karburator.	Neka serviser podesi karburator.

Problem	Mogući uzrok	Rešenje
Motor se prekomerno zagreva.	Nivo motornog ulja je prenizak.	Napunite motornim uljem.
	Protok vazduha nije dovoljan.	Očistite filter za vazduh i kućište filtera za vazduh.
	Potrebno je podesiti karburator.	Neka serviser podesi karburator.
Pojavljuje se zastoj u motoru kada radi pri velikoj brzini.	Zazor elektroda u svećici je premali.	Podesite zazor elektroda.
Neobična buka motora tokom normalnog opterećenja.	Pogrešan tip benzina.	Ispraznite rezervoar za gorivo i karburator. Sipajte nov benzin. Pogledajte <i>Dostupanje goriva na stranici 367</i> Ako se problem zadrži, obratite se lokalnom serviseru.
Motor ne radi mirno u brzini praznog hoda.	Svećica je zaprljana, oštećena ili je zazor elektroda prevelik.	Podesite zazor elektroda ili zamenite svećicu.
	Potrebno je podesiti karburator.	Podesite karburator.
	Filter za vazduh je zaprljan.	Očistite filter za vazduh.

Transport, skladištenje i odlaganje

Transport i skladištenje

- Uverite se da pri skladištenju i transportu proizvoda i goriva nema isparavanja i curenja iz proizvoda. Varnice i otvoren plamen, na primer iz električnih uređaja i bojlera, može da zapali požar.
- Uvek koristite odobrene kanistere za čuvanje i transport goriva.
- Ispraznite rezervoar za gorivo pre dužeg skladištenja proizvoda. Gorivo odbacujte na odgovarajućoj lokaciji za odbacivanje
- Da biste sprečili nezgode i oštećenja, dobro fiksirajte proizvod prilikom transporta.
- Čuvajte proizvod u zaključanoj prostoriji da biste sprečili neodobren pristup deci i drugim osobama.
- Čuvajte proizvod na suvom mestu bez mraza.

Odlaganje

- Pratite lokalne zakone i propise o reciklaži.
- Sve hemikalije, kao što su motorno ulje i gorivo, odbacujte u servisnom centru ili na odgovarajućem mestu za odbacivanje.
- Kad rashodujete proizvod, pošaljite ga Husqvarna prodavcu ili ga odnesite na odgovarajuće mesto za reciklažu.

Tehnički podaci

Tehnički podaci

	LC 151	LC 151S	LB 251S	LB 256SP
Motor				
Marka	Husqvarna	Husqvarna	Husqvarna	Husqvarna
Tip motora	Jedan cilindar, 4-taktni, aktivno vazdušno hlađenje, OHV	Jedan cilindar, 4-taktni, aktivno vazdušno hlađenje, OHV	Jedan cilindar, 4-taktni, aktivno vazdušno hlađenje, OHV	Jedan cilindar, 4-taktni, aktivno vazdušno hlađenje, OHV
Zapremina cilindra, cm ³	166	166	166	166
Brzina, o/min	2800	2800	2800	2800
Nominalna izlazna snaga motora, kW ¹⁷¹	2,7	2,7	2,7	2,7
Sistem paljenja				
Svećica	Husqvarna HQT-7	Husqvarna HQT-7	Husqvarna HQT-7	Husqvarna HQT-7
Zazor elektroda, mm	0,7–0,8	0,7–0,8	0,7–0,8	0,7–0,8
Sistem za gorivo i podmazivanje				
Tip podmazivanja motora	Prskanje	Prskanje	Prskanje	Prskanje
Kapacitet rezervoara za gorivo, litri	1,0	1,0	1,0	1,0
Kapacitet rezervoara za ulje, litara	0,5	0,5	0,5	0,5
Motorno ulje ¹⁷²	Husqvarna SAE 30	Husqvarna SAE 30	Husqvarna SAE 30	HusqvarnaSAE 30
Težina				
Sa praznim rezervoarima, kg	31,1	32,6	32,0	33,1
Emisija buke¹⁷³				
Nivo zvučne snage, mereno, dB (A)	96	96	95	97
Nivo zvučne snage, garantovano L _{WA} dB(A)	98	98	96	98
Nivoi zvuka¹⁷⁴				

¹⁷¹ Naznačena snaga motora je prosečna neto izlazna snaga (pri navedenim obrtajima u minutu) tipičnog proizvodnog motora za model motora izmerena prema SAE standardu J1349/ISO1585. Vrednost motora iz masovne proizvodnje može da se razlikuje. Stvarna izlazna snaga postavljenog motora na proizvodu će zavistiti od radne brzine, uslova u okruženju i drugih vrednosti.

¹⁷² Ako se ulje SAE-30 koristi na temperaturama nižim od +5 °C, postoji opasnost da se motor ne podmazuje dovoljno. Tako može da dođe do oštećenja motora. Pogledajte *Zamena motornog ulja na stranici 371* za odgovarajući tip ulja za niske temperature.

¹⁷³ Emisije buke u životnoj sredini merene kao zvučna snaga (L_{WA}) u skladu sa direktivom 2000/14/EZ.

¹⁷⁴ Prijavljeni podaci za nivo zvučnog pritiska imaju tipičnu statističku disperziju (standardna devijacija) od 1,2 dB (A).

	LC 151	LC 151S	LB 251S	LB 256SP
Nivo zvučnog pritiska na uho ruko-vaoca, dB(A)	86	86	82	86
Nivoi vibracije ¹⁷⁵				
Nivo vibracija na ručici, m/s ²	8,5	8,5	4,7	7,5
Oprema za košenje				
Visina košenja, mm	25–75	25–75	25–75	25–75
Širina košenja, mm	510	510	510	560
Rezni sistem	Skupljanje / Bio-Clip® / bočno izbacivanje	Skupljanje / Bio-Clip® / bočno izbacivanje	BioClip® / bočno izbacivanje	BioClip® / bočno izbacivanje
Sečivo – standardno	Prikupljanje 598562601	Prikupljanje 598562601	Usitnjavanje 597683901	Usitnjavanje 598563601
Sečivo – dodatak	Usitnjavanje 597683901	Usitnjavanje 597683901	–	–
Kapacitet hvatača trave, litara	65	65	–	–
Pogon				
Brzina samostalnog hoda, km/h		3,6	4,0	3,6

¹⁷⁵ Podaci o nivou vibracije imaju tipičnu statističku disperziju (standardnu devijaciju) od 0,2 m/s².

EZ deklaracija o usaglašenosti

EZ deklaracija o usaglašenosti

Husqvarna AB, SE-561 82 Huskvarna, Švedska, tel:
+46-36-146500, izjavljuje da je **kosačica Husqvarna LC
151, LC 151S, LB 251S, LB 256SP** od godine 2020 i
nadalje, usaglašena sa zahtevima DIREKTIVE VEČA:

- od 8. juna 2011, o „ograničenju upotrebe određenih opasnih supstanci“ **2011/65/EU**
- od 17. maja 2006., „u vezi sa mašinerijom“ **2006/42/EZ**
- od 26. februara 2014, „koja se odnosi na elektromagnetnu kompatibilnost“ **2014/30/EU**
- od 8. maja 2000, „koja se odnosi na emisije buke u okruženju“ **2000/14/EZ**

Za informacije o emisiji buke, pogledajte odeljak Tehnički podaci.

Primenjeni su sledeći standardi:

EN ISO 5395-1:2013, EN ISO 5395-1:2013/A1, EN ISO 5395-2:2013, EN ISO 5395-2:2013/A1:2016, EN ISO 5395-2:2013/A2:2017, EN ISO 14982:2009

Ako nije drugačije navedeno, gore navedeni standardi su najnovije objavljene verzije.

Ovlašćeno telo (LC 151, LC 151S, LB 256SP): **0036, TÜV SÜD Industrie Service GmbH, Westendstrasse 199, 80686 München, Germany** je obavilo ocenjivanje usaglašenosti u skladu sa Aneksom VI direktive 2000/14/EC.

Ovlašćeno telo (LB 251S): **0404, RISE SMP Svensk Maskinprovning AB, Box 7035, SE-750 07 Uppsala, Sweden** je obavilo ocenjivanje usaglašenosti u skladu sa Aneksom VI direktive 2000/14/EC.

Huskvarna, 2020-10-20



Claes Losdal, menadžer razvoja/baštenski proizvodi
(ovlašćeni predstavnik kompanije Husqvarna AB i
odgovorna osoba za tehničku dokumentaciju)

Innehåll

Introduktion.....	377	Felsökning av motorn.....	386
Säkerhet.....	378	Transport, förvaring och kassering.....	387
Montering.....	380	Tekniska data.....	388
Drift.....	381	EG-försäkran om överensstämmelse.....	390
Underhåll.....	383		

Introduktion

Produktbeskrivning

Produkten är en rotorgräsklippare som styrs av en gående person. För LC 151, LC 151S monterar du gräsuppsamlaren om du vill samla upp gräs. Om du vill kasta ut gräset på sidan monterar du sidoutkastdeflektorn. För LC 151, LC 151S monterar du ett mulchingkit om du vill klippa ner gräset till gödning.

Produktöversikt

(Fig. 1)

1. Handtag
2. Motorbromsbygel
3. Drivbygel (LC 151S, LB 256SP)
4. Körspak (LB 251S)
5. Bakre kåpa (LC 151, LC 151S)
6. Gräsuppsamlare (LC 151, LC 151S)
7. Höjdjusteringsvred
8. Klipphöjdsspak
9. Oljelock och mätsticka
10. Sidoutkastets kåpa
11. Ljuddämpare
12. Tändstift
13. Förgasare
14. Bränsletankslock
15. Symboler
16. Klippkåpa
17. Luftfilter
18. Sidodeflektor
19. Mulchingkit (tillbehör för LC 151, LC 151S)
20. Startsnörets handtag
21. Bruksanvisning

Symboler på produkten

- (Fig. 2) **WARNING!** Var försiktig och använd produkten på rätt sätt. Den här produkten kan orsaka allvarlig eller livshotande skada för användaren och andra.
- (Fig. 3) Läs igenom bruksanvisningen noggrant och se till att du förstår instruktionerna innan användning.

Avsedd användning

Använd produkten för att klippa gräs. Använd inte produkten till andra uppgifter.

- (Fig. 4) Akta dig för utslungade föremål och rikoschetter.
- (Fig. 5) Håll alltid människor och djur på säkert avstånd från arbetsområdet.
- (Fig. 6) Varning! Håll händer och fötter borta från den roterande kniven.
- (Fig. 7) Varning! Håll händer och fötter borta från roterande delar.
- (Fig. 8) Stäng av motorn och ta av tändkabeln före reparation eller underhåll.
- (Fig. 9) Produkten överensstämmer med gällande EG-direktiv.
- (Fig. 10) Bulleremissioner till omgivningen enligt Europeiska Gemenskapens direktiv. Produktens emission anges i avsnittet Tekniska data och på etiketten.
- (Fig. 11) Brandfara.
- (Fig. 12) Undvik att andas in avgaser. Motorerna avgaser innehåller kolmonoxid, en luktlös, giftig och mycket farlig gas. Starta inte motorn inomhus eller i slutna utrymmen.
- (Fig. 13) Het yta.
- (Fig. 14) Fyll motorn med olja innan du startar produkten.

Notera: Övriga symboler/dekaler på produkten avser specifika krav för certifieringar på vissa kommersiella marknader.

Produktansvar

Enligt lagstiftningen för produktansvar ansvarar vi inte för skador som vår produkt orsakar om:

- produkten repareras felaktigt
- produkten repareras med delar som inte kommer från tillverkaren eller inte har godkänts av tillverkaren

- produkten har ett tillbehör som inte kommer från tillverkaren eller inte har godkänts av tillverkaren
- produkten inte repareras vid ett godkänt servicecenter eller av en godkänd person.

Euro V-utsläpp



WARNING: Manipulering av motorn upphäver EG-typgodkännandet för den här produkten.

Säkerhet

Säkerhetsdefinitioner

Varningar, försiktighetsåtgärder och anmärkningar används för att betona speciellt viktiga delar i bruksanvisningen.



WARNING: Används om det finns risk för skador eller dödsfall för användaren eller kringstående om anvisningarna i bruksanvisningen inte följs.



OBSERVERA: Används om det finns risk för skada på produkten, annat material eller det angrepsområde som anvisningarna i bruksanvisningen inte följs.

Notera: Används för att ge mer information som är nödvändig i en viss situation.

Allmänna säkerhetsanvisningar



WARNING: Läs varningsinstruktionerna nedan innan du använder produkten.

- Denna produkt är farlig om den används på fel sätt, och om du inte är försiktig. Skada eller dödsfall kan inträffa om du inte följer säkerhetsinstruktionerna.
- Denna produkt alstrar ett elektromagnetiskt fält under drift. Detta fält kan under vissa omständigheter ge påverkan på aktiva eller passiva medicinska implantat. För att reducera risken för omständigheter som kan leda till allvarliga eller livshotande skador rekommenderar vi därför personer med implantat att rådgöra med läkare samt tillverkaren av det medicinska implantatet innan denna produkt används.
- Var alltid försiktig och använd sunt förnuft. Om du inte vet hur du ska använda produkten i en särskild situation ska du stanna den och tala med en Husqvarna-återförsäljare innan du fortsätter.
- Tänk på att användaren kommer att hållas ansvarig för olyckor som involverar andra människor eller deras egendom.

- Håll produkten ren. Se till att du kan läsa skyltar och dekaler tydligt.
- Låt inte någon använda produkten om du inte är säker på att personen har läst och förstår innehållet i bruksanvisningen.
- Låt inte barn använda produkten.
- Håll barn borta från klippområdet. En vuxen person måste vara närvarande hela tiden.
- Låt inte en person utan kännedom om instruktionerna använda produkten.
- Övervaka alltid en person med nedsatt fysisk eller mental kapacitet som använder produkten. En vuxen person måste vara närvarande hela tiden.
- Använd aldrig produkten om du är trött, sjuk eller om du är påverkad av alkohol, droger eller läkemedel. Detta har en negativ inverkan på din syn, ditt omdöme och din kroppskontroll.
- Använd inte produkten om den är trasig.
- Modifiera aldrig den här produkten och använd den inte om det är möjligt att den har blivit modifierad av andra.
- Ändra inte inställningen för motorns varvtalsreglering.

Säkerhet i arbetsområdet



WARNING: Läs varningsinstruktionerna nedan innan du använder produkten.

- Ta bort föremål som grenar, kvistar och stenar från arbetsområdet innan du använder produkten.
- Objekt som slår mot skärutrustningen kan slungas ut och orsaka skador på personer och föremål. Håll alltid människor och djur på säkert avstånd från produkten.
- Använd aldrig produkten i dåligt väder, som dimma, regn, hård vind, extrem kyla och risk för blixtnedslag. Det är ansträngande att använda produkten i dåligt väder eller på fuktiga eller våta platser. Dåligt väder kan leda till farliga förhållanden, t.ex. hala ytor.
- Håll utkik efter personer, föremål och situationer som kan förhindra säker användning av produkten.

- Håll utkik efter hinder, som rötter, stenar, grenar, gropar och diken. Långt gräs kan dölja hinder.
- Det kan vara farligt att klippa gräs i sluttningar. Använd inte produkten i terräng som lutar mer än 15°.
- Klipp tvärs över sluttningar. Inte upp och ned.
- Var uppmärksam när du närmar dig dolda hörn och föremål som skymmer sikten.

Arbetssäkerhet



VARNING: Läs varningsinstruktionerna nedan innan du använder produkten.

- Använd enbart den här produkten för att klippa gräsmattor. Det är inte tillåtet att använda den för andra uppgifter.
- Använd personlig skyddsutrustning. Se *Personlig skyddsutrustning på sida 379*.
- Se till att du vet hur man snabbt stoppar motorn i en nödsituation.
- Starta aldrig motorn i ett stängt utrymme eller nära brandfarliga material. Motoravgaserna är heta och kan medföra gnistor som kan orsaka brand.
- Använd inte produkten utan att kniven och alla kåpor är korrekt monterade. En felaktigt monterad kniv kan lossna och orsaka personskador.
- Se till att kniven inte slår emot föremål som stenar och rötter. Detta kan göra att kniven skadas och böja motoraxeln. En böjd axel orsakar kraftiga vibrationer och risken för att kniven lossnar blir mycket hög.
- Om kniven träffar ett föremål eller om det uppstår vibrationer ska du omedelbart stanna produkten. Koppla bort tändkabeln från tändstiftet. Kontrollera om det finns några skador på produkten. Reparera skadorna eller låt en behörig serviceverkstad utföra reparationen.
- Fäst aldrig motorbromsbygeln permanent på handtaget när motorn är igång.
- Ställ produkten på ett stabilt plant underlag och starta den. Se till att kniven inte vidrör marken eller andra föremål.
- Håll dig alltid bakom produkten när du använder den.
- Låt alla hjul stå på marken och håll båda händerna på handtaget när du använder produkten. Håll händer och fötter borta från de roterande knivarna.
- Luta inte produkten när motorn är igång.
- Var försiktig när du drar produkten bakåt.
- Lyft aldrig upp produkten när motorn är igång. Om du måste lyfta produkten ska du först stanna motorn och koppla bort tändkabeln från tändstiftet.
- Gå inte baklänges när du använder produkten.
- Stäng av motorn när du rör dig över områden utan gräs, t.ex. gångar av grus, sten och asfalt.
- Spring inte med produkten när motorn är igång. Gå alltid när du använder produkten.

- Stäng av motorn innan du ändrar klipphöjden. Gör aldrig justeringar med motorn igång.
- Lämna aldrig produkten utanför ditt synfält med motorn igång. Stäng av motorn och se till att skärutrustningen inte roterar.

Säkerhetsinstruktioner för drift

Personlig skyddsutrustning



VARNING: Läs varningsinstruktionerna nedan innan du använder produkten.

- Personlig skyddsutrustning kan inte eliminera skaderisken helt, men den reducerar effekten av en skada vid ett eventuellt olyckstillbud. Be din återförsäljare om hjälp med att välja rätt utrustning.
- Använd hörselskydd om ljudnivån är högre än 85 dB.
- Använd kraftiga halksäkra kängor eller skor. Använd inte öppna skor och var inte barfota.
- Använd tjockare långbyxor.
- Använd skyddshandskar vid behov, till exempel när du ansluter, undersöker eller rengör skärutrustningen.

Säkerhetsanordningar på produkten



VARNING: Läs varningsinstruktionerna nedan innan du använder produkten.

- Använd inte en produkt med defekta säkerhetsanordningar.
- Kontrollera säkerhetsanordningarna regelbundet. Om säkerhetsanordningarna är defekta ska du prata med din Husqvarna serviceverkstad.

Kontrollera klippkåpan

Klippkåpan dämpar vibrationerna och minskar risken för skador orsakade av kniven.

- Undersök klippkåpan för att se till att där inte finns några skador, t.ex. sprickor.

Kontrollera motorbromsbygeln

Motorbromsbygeln stänger av motorn. När motorbromsbygeln släpps stannar motorn.

- Starta motorn och släpp sedan motorbromsbygeln. Om motorn inte stannar inom tre sekunder ska du låta en godkänd Husqvarna-serviceverkstad justera motorbromsen. (Fig. 15)

Kontrollera den bakre kåpan

Den bakre deflektorn minskar risken för att föremål slungas ut i förarens riktning.

- Se till att den bakre kåpan inte är skadad.

- Se till att fjädrarna som stänger den bakre kåpan inte är trasiga.
- Om fjädrarna eller några andra delar är skadade byter du dem.
- Se till att den bakre kåpan kan röra sig utan problem på gångjärnen.

Ljuddämpare

Ljuddämparen håller ljudnivån till ett minimum och leder bort motorns avgaser från föraren.

Använd inte produkten utan eller med defekt ljuddämpare. En defekt ljuddämpare ökar ljudnivån och brandrisken.



WARNING: Ljuddämparen blir mycket varm under och efter användning samt när motorn går på tomgång. Var försiktig nära brandfarliga material och/eller ångor för att förhindra brand.

Kontrollera ljuddämparen

- Undersök ljuddämparen regelbundet för att se till att den är korrekt monterad och inte skadad.

Bränslesäkerhet



WARNING: Läs varningsinstruktionerna nedan innan du använder produkten.

- Starta inte produkten om det finns bränsle eller motorolja på produkten. Ta bort det oönskade bränslet/oljan och låt produkten torka.
- Om du spillt bränsle på kläderna skall dessa bytas omedelbart.
- Se till att inte få bränsle på kroppen, det kan orsaka personskador. Om du får bränsle på kroppen ska du använda tvål och vatten för att ta bort bränslet.
- Starta inte produkten om motorn har en läcka. Undersök regelbundet om motorn läcker.
- Var försiktig med bränsle. Bränsle är brandfarligt och ångorna är explosiva och kan orsaka skador eller dödsfall.
- Undvik att andas in bränsleångor då det kan orsaka personskador. Se till att det finns tillräckligt luftflöde.
- Rök inte i närheten av bränslet eller motorn.

- Placera inga varma föremål i närheten av bränslet eller motorn.
- Fyll inte på bränsle när motorn är på.
- Se till att motorn har svalnat innan du fyller på bränsle.
- Innan du fyller på bränsle bör du öppna bränsletanklocket långsamt och försiktigt släppa på trycket.
- Fyll inte på bränsle i motorn inomhus. Otillräckligt luftflöde kan orsaka skador eller dödsfall på grund av kvävning eller kolmonoxidförgiftning.
- Dra åt bränsletanklocket ordentligt. Om bränsletanklocket inte dras åt ordentligt finns det en risk för brand.
- Flytta produkten minst 3 m från den plats där du fyllde på tanken innan du startar den.
- Fyll inte upp tanken helt. Värme gör att bränslet expanderar. Lämna lite plats längst upp på tanken.

Säkerhetsinstruktioner för underhåll



WARNING: Läs varningsinstruktionerna nedan innan du använder produkten.

- Motorns avgaser innehåller kolmonoxid, en luktlös, giftig och mycket farlig gas. Starta inte motorn inomhus eller i slutna utrymmen.
- Innan du utför underhåll på produkten ska du stänga av motorn och ta bort tändkabeln från tändstiftet.
- Använd skyddshandskar när du utför underhåll på skärutrustningen. Kniven är mycket vass och skärskador uppstår lätt.
- Tillbehör och ändringar av produkten som inte godkänts av tillverkaren kan orsaka allvarliga skador eller dödsfall. Modifiera inte produkten. Använd endast tillbehör som godkänts av tillverkaren.
- Om underhåll inte utförs korrekt och regelbundet ökar risken för personskador och skador på produkten.
- Utför endast underhåll enligt anvisningarna i den här bruksanvisningen. All annan service måste utföras av en godkänd Husqvarna-serviceverkstad.
- Låt en godkänd Husqvarna-serviceverkstad utföra service på produkten regelbundet.
- Byt ut skadade, slitna och trasiga delar.

Montering

Introduktion



WARNING: Innan du monterar produkten måste du läsa igenom och förstå kapitlet om säkerhet.



WARNING: Avlägsna tändstiftskabeln från tändstiftet innan du monterar produkten.

Montera handtaget

1. För skruven (A) genom handtaget (B), plastbrickan (C) och handtagets stödfäste (D). (Fig. 16)

2. Dra åt muttern (E) helt.
3. För skruven (F) genom brickan (G) och handtagets stödfäste. (Fig. 17)
4. Dra åt vredet (H) helt.

Justera handtaget

1. Lossa de nedre vreden.
2. Flytta vreden till den nedre delen av spåren på produktens vänstra och högra sida. (Fig. 18)
3. Ställ in handtagshöjden till ett av två tillgängliga lägen.
4. Skjut vreden uppåt mot handtaget tills det tar stopp och du hör ett klick. (Fig. 19)
5. Dra åt vreden helt.

Ställa in produkten i transportläge

1. Lossa de nedre vreden.

2. Flytta vreden till den nedre delen av spåren på produktens vänstra och högra sida. (Fig. 18)
3. Vik handtaget framåt. (Fig. 20)

Ställa in produkten i arbetsläge

1. Vik handtaget till upprätt läge. (Fig. 21)
2. Skjut vreden uppåt mot handtaget tills det tar stopp och du hör ett klick. (Fig. 19)
3. Dra åt vreden helt.

Montera gräsuppsamlaren (LC 151, LC 151S)

1. Fäst gräsuppsamlarens ram i gräsbehållaren, med behållarens stela del nedåt. Se till att handtaget på ramen är utanför ovsidan av behållaren. (Fig. 22)
2. Sätt fast gräsuppsamlaren på ramen med klämmorna. (Fig. 23)

Drift

Introduktion



VARNING: Innan du använder produkten måste du läsa igenom och förstå kapitlet om säkerhet.

Husqvarna Connect

Husqvarna Connect är en kostnadsfri app för mobila enheter. Husqvarna Connect-appen utökar funktionerna för Husqvarna-produkten:

- Mer produktinformation.
- Information om, och hjälp med, produktdelar och service.

Börja använda Husqvarna Connect

1. Hämta Husqvarna Connect-appen på din mobila enhet.
2. Utför registreringen i Husqvarna Connect-appen.
3. Följ instruktionerna i Husqvarna Connect-appen för att ansluta och registrera produkten.

Innan du använder produkten

1. Läs igenom bruksanvisningen noggrant och se till att du förstår instruktionerna.
2. Undersök skärutrustningen för att se till att den är korrekt monterad och justerad. Se *Kontrollera skärutrustningen på sida 384*.
3. Fyll bränsletanken. Se *Fylla på bränsle på sida 381*.
4. Fyll oljetanken och kontrollera oljenivån. Se *Kontrollera oljenivån på sida 384*.

Fylla på bränsle

Använd miljöanpassad bensin/alkylatbensin om det finns. Om miljöanpassad bensin/alkylatbensin inte finns tillgänglig ska du använda blyfri bensin eller blyad bensin av hög kvalitet med ett oktantal på minst 90.



OBSERVERA: Använd inte bensin med ett oktantal lägre än 90 RON (87 AKI). Det kan orsaka skador på produkten.

1. Öppna tanklocket långsamt för att släppa på trycket.
2. Fyll på långsamt med en bränsledunk. Om du spiller bränsle ska du ta bort det med en trasa och låta bensinresterna avdunsta. (Fig. 24)
3. Torka rent runt bränsletanklocket.
4. Dra åt bränsletanklocket ordentligt. Om bränsletanklocket inte dras åt ordentligt finns det en risk för brand.
5. Flytta produkten minst tre meter från den plats där du fyllde på tanken innan du startar den.

Ställa in klipphöjden

1. Flytta klipphöjdsspaken bakåt för att höja klipphöjden.
2. Flytta klipphöjdsspaken framåt för att sänka klipphöjden. (Fig. 25)



OBSERVERA: Ställ inte in för låg klipphöjd. Knivarna kan träffa marken om gräsmattans yta inte är plan.

Starta produkten

1. Se till att tändkabeln är ansluten till tändstiftet.

2. Stå bakom produkten.
3. Håll motorbromsbygeln mot handtaget. (Fig. 26)
4. Håll i startsnörets handtag med höger hand.
5. Dra långsamt i startsnöret tills du känner ett motstånd.
6. Dra kraftigt för att starta motorn.



VARNING: Vira inte startsnöret runt handen.

Använda drivningen på hjulen LC 151S & LB 256SP

- Tryck drivbygeln mot styret. (Fig. 27)
- Släpp drivbygeln för att koppla ur drivningen, t.ex. när du går nära ett hinder.
- Innan du drar produkten bakåt, stäng av drivenheten och putta fram den ca 10 cm.

Använda drivningen på hjulen (LB 251S)

- Dra körspaken i styrets riktning. (Fig. 28)
- Tryck körspaken bort från styret för att koppla ur drivningen, t.ex. när du är nära ett hinder.

Notera: Körspaken kopplas automatiskt ur när du släpper motorbromsbygeln.

- Innan du drar produkten bakåt trycker du körspaken bort från styret och skjuter produkten framåt cirka 10 cm för att koppla ur drivningen helt.

Stoppa produkten

- Om du endast vill stoppa drivningen släpper du drivbygeln (LC 151S, LB 256SP) eller körspaken (LB 251S).
- För att stänga av motorn ska du släppa motorbromsbygeln.

Använda produkten med gräsupsamlaren ((LC 151, LC 151S))



VARNING: Använd inte produkten utan monterad gräsupsamlare eller stängd bakre kåpa. Föremål kan slungas ut och orsaka skador på användaren.

1. Lyft upp den bakre kåpan och ta bort mulchingpluggen, om den är monterad. (Fig. 29)
2. Montera gräsupsamlaren, se *Montera gräsupsamlaren (LC 151, LC 151S) på sida 381*.
3. Placera gräsupsamlaren i hållaren.
4. Frigör den bakre kåpan och placera den på ramen till gräsupsamlaren. (Fig. 30)

Ändra produkten till mulchingläge ((LC 151, LC 151S))

Se till att motorn är avstängd innan du ändrar produkten till mulchingläge.

1. Lyft upp den bakre kåpan och ta bort gräsbehållaren, om den är monterad.
2. För in mulchingpluggen i utkastkanalen. (Fig. 31)
3. Stäng den bakre kåpan och se till att den sitter tätt emot mulchingpluggen.
4. Byt ut kniven mot mulchingkniven som tillhandahålls i mulchingsatsen. Se *Byta knivar på sida 384*.

Ändra produkten till sidoutkastläge

1. Lyft upp den bakre kåpan och ta bort gräsupsamlaren, om den är monterad.
2. Stäng den bakre kåpan och se till att den sitter tätt emot produkten.
3. Lyft utkastsläset. (Fig. 32)
4. Öppna sidoutkastkåpan och montera sidoutkastdeflektorn på stödtapparna. (Fig. 33)
5. Se till att sidoutkastkåpan ligger mot sidoutkastdeflektorn. Se till att sidoutkastdeflektorn sitter ordentligt fast innan du använder produkten.

Tömma gräsupsamlaren



OBSERVERA: För att förhindra slitage ska du lyfta gräsupsamlaren när du flyttar den.

1. Lyft gräsupsamlaren med hjälp av ramens handtag.
2. Använd ramhandtaget och påshandtaget när du tömmer gräsupsamlaren. (Fig. 34)

Få ett bra resultat

- Använd alltid en vass kniv. En slö kniv ger ett ojämnt resultat och gräsets snittyta blir gul. En vass kniv förbrukar mindre energi än en slö kniv.
- Klipp inte mer än en tredjedel av gräsets längd. Använd den högsta klipphöjden när du börjar klippa gräset. Undersök resultatet och sänk klipphöjden till en lämplig nivå. Om gräset är väldigt långt kör du sakta och klipper två gånger, om det behövs.
- Klipp i olika riktningar varje gång för att undvika ränder i gräsmattan.
- Lyft upp den bakre kåpan och ta loss gräsupsamlaren.
- Om en mulchingplugg och en mulchingkniv är monterade tar du bort dem.
- Stäng den bakre kåpan innan du använder produkten. När du använder produkten kastas gräsklippen ut under den bakre kåpan.

Underhåll

Introduktion



VARNING: Innan du utför underhåll måste du läsa och förstå kapitlet om säkerhet.

För allt service- och reparationsarbete på produkten krävs särskild utbildning. Vi garanterar att du kan få en fackmannamässig reparation och service utförd. Om din återförsäljare inte är en serviceverkstad kan du tala med dem för information om närmaste serviceverkstad.

Underhållsschema



OBSERVERA: Se till att luftfiltret är uppåt och inte mot marken när du lutar produkten. Risk för motorskador.

Underhållsintervallen beräknas utifrån daglig användning av produkten. Intervallen ändras om produkten inte används dagligen.

För underhåll som markeras med *, se anvisningarna i *Säkerhetsanordningar på produkten på sida 379*.

Underhåll	Dagligen	Varje månad	Varje säsong
Utför en allmän inspektion	X		
Kontrollera oljenivån	X		
Byt ut oljan (första gången efter fem timmars användning, sedan efter var 50:e timmes användning) ¹⁷⁶			X
Rengör produkten	X		
Kontrollera skärutrustningen	X		
Kontrollera klippkåpan*	X		
Kontrollera motorbromsbygeln *	X		
Kontrollera ljuddämparen *		X	
Undersök tändstiftet. Rengör eller byt ut tändstiftet vid behov			X
Kontrollera luftfiltret	X		
Rengör luftfiltret ¹⁷⁷		X	
Byt luftfilter			X
Kontrollera bränslesystemet			X
Rengör kylflänsarna på cylindern.		X	
Kontrollera och justera kopplingsvajern (LC 151S, LB 251S, LB 256SP)			X
Rengör under transmissionskåpan (LB 251S)			X

Allmän inspektion

- Se till att alla skruvar och muttrar på produkten är korrekt åtdragna.

Rengöra produkten utvändigt

- Använd en borste för att ta bort löv, gräs och smuts.

- Kontrollera att luftintaget på motorns ovansida inte är igentäppt.
- Undvik att använda högtrycksvätt när du rengör maskinen.
- Om du använder vatten för att rengöra produkten ska du inte spola vatten direkt på motorn.

¹⁷⁶ Om produkten används med hög belastning eller vid höga omgivningstemperaturer ska motoroljan bytas var 25:e timme.

¹⁷⁷ Rengör oftare vid dammiga förhållanden eller när luftburet skräp förekommer. Byt ut luftfiltret om det är mycket smutsigt.

Rengöra insidan av klippkåpan

1. Töm bensintanken.
2. Luta produkten. Se till att tändstiftet pekar uppåt.



OBSERVERA: Om produkten placeras med luftfiltret nedåt kan motorn skadas.

3. Spola av klippkåpens insida med vatten.

Rengöra under transmissionskåpan (LB 251S)

1. Töm bensintanken.
2. Luta produkten. Se till att tändstiftet pekar uppåt.



OBSERVERA: Om produkten placeras med luftfiltret nedåt kan motorn skadas.

3. Ta bort de sju skruvarna. (Fig. 35)
4. Ta bort transmissionskåpan.
5. Rengör ytan med en borste.



OBSERVERA: Vatten eller smuts under transmissionskåpan kan skada transmissionen.

6. Installera transmissionskåpan och de sju skruvarna.

Kontrollera skärutrustningen



VARNING: För att förhindra oavsiktlig start ska du ta bort tändkabeln från tändstiftet.



VARNING: Använd skyddshandskar när du utför underhåll på skärutrustningen. Kniven är mycket vass och skärskador uppstår lätt.

1. Kontrollera så att skärutrustningen inte är skadad eller har sprickor. Byt alltid ut skadad skärutrustning.
2. Titta på kniven för att se om den är skadad eller slö.

Notera: Kniven måste balanseras när den har slipats. Låt en serviceverkstad slipa, byta och balansera kniven. Om du träffar ett hinder som gör att produkten stannar ska du byta ut den skadade kniven. Låt serviceverkstaden bedöma om kniven kan slipas eller måste ersättas.

Byta knivar

1. Lås kniven med en träbit. (Fig. 36)
2. Ta bort knivbulten.
3. Tag bort kniven.
4. Kontrollera knivstödet och knivbulten för att se om det finns skador.

5. Kontrollera motoraxeln för att se till att den inte är böjd.
6. När du monterar en ny kniv ska du rikta knivens vinklade ändrar mot klippkåpan. (Fig. 37)
7. Se till att kniven är i linje med motoraxelns mitt.
8. Lås kniven med en träbit. Montera fjäderbrickan och dra åt bulten och brickan med ett vridmoment på 43 – 47 Nm. (Fig. 38)
9. Dra runt kniven för hand och se till att den roterar fritt.



VARNING: Använd kraftiga arbetshandskar. Kniven är mycket vass och skärskador uppstår lätt.

10. Starta produkten för att testa kniven. Om kniven inte är korrekt monterad känner du vibrationer i produkten eller så är klipresultat otillfredsställande.

Kontrollera oljenivån



OBSERVERA: För låg oljenivå kan orsaka allvarliga motorskador. Kontrollera oljenivån innan du startar produkten.

1. Ställ produkten på plan mark.
2. Ta bort oljetanklocket med mätstickan.
3. Torka av oljan från mätstickan.
4. Sätt tillbaka mätstickan helt i oljetanken för att få en korrekt bild av oljenivån.
5. Ta bort mätstickan.
6. Kontrollera oljenivån på mätstickan.
7. Om oljenivån är låg ska du fylla på med motorolja och kontrollera oljenivån igen.

Byta motorolja



VARNING: Motorolja är mycket het direkt efter att motorn stoppats. Låt motorn svalna innan du tappar ur motoroljan. Om du spiller olja på huden ska du rengöra med tvål och vatten.

(Fig. 39)

1. Använd produkten tills bränsletanken är tom.
2. Ta bort tändkabeln från tändstiftet.
3. Ta bort oljetanklocket.
4. Ställ en behållare under produkten att samla upp motoroljan i.
5. Luta enheten för att tappa ur motoroljan från oljetanken.
6. Fyll på ny motorolja av den typ som rekommenderas i *Tekniska data på sida 388*.
7. Kontrollera oljenivån. Se *Kontrollera oljenivån på sida 384*.

Så undersöker du tändstiftet



OBSERVERA: Använd alltid rekommenderad tändstiftstyp. Fel typ av tändstift kan orsaka skador på produkten.

- Undersök tändstiftet om motorn har låg effekt, är svår att starta eller inte fungerar korrekt vid tomgångsvarvtal.
- Följ dessa instruktioner om du vill minska risken för oönskat material på tändstiftets elektroder:
 - a) Se till att tomgångsvarvtalet är korrekt justerat.
 - b) Se till att bränsleblandningen är korrekt.
 - c) Se till att luftfiltret är rent.
- Om tändstiftet är smutsigt rengör du det och ser till att elektrodavståndet är korrekt, se *Tekniska data på sida 388*. (Fig. 40)
- Byt ut tändstiftet vid behov.

Luftfilter

Om luftfiltret är smutsigt kan det medföra att motorn skadas eller inte fungerar på rätt sätt. Utför underhåll på luftfiltret oftare vid dammiga förhållanden. Mer information om när du ska byta luftfilter finns i *Underhåll på sida 383*.

Notera: Byt alltid ut ett skadat luftfilter.

Ta bort och installera luftfiltret



VARNING: Använd skyddshandskar.

1. Tryck på klämmorna på luftfilterkåpan.
2. Ta försiktigt bort luftfilterkåpan (A) från motorn.
3. Lyft bort luftfiltret (B). (Fig. 41)
4. Undersök om luftfiltret är skadat. Byt luftfiltret om det är skadat.
5. Rengör och undersök luftfiltret. Se *Rengöra luftfiltret på sida 385*.
6. Installera i omvänd ordningsföljd.

Rengöra luftfiltret

Om luftfiltret är smutsigt kan det medföra att motorn skadas eller inte fungerar på rätt sätt. Utför underhåll på luftfiltret oftare vid dammiga förhållanden.

Mer information om när du ska byta luftfilter finns i *Underhåll på sida 383*.

1. Ta bort luftfilterkåpan och filtret.

2. Gör rent filtret genom att slå det mot en plan yta. Använd aldrig lösningsmedel med petroleum eller fotogen eller tryckluft till att rengöra filtret.

Notera: Det går inte att rengöra luftfilter som har använts under lång tid helt. Byt luftfiltret regelbundet. Om luftfiltret är skadat måste du byta det.

3. När du monterar luftfiltret måste du se till att det sitter tätt mot filterhållaren.

Kontrollera sidoutkastsdeflektorn

Sidoutkastsdeflektorn sitter fast i sidoutkastsöppningen på produkten. Den minskar risken för att föremål slungas ut mot dig.

1. Se till att den sidoutkastsdeflektorn inte är skadad.
2. Kontrollera sidoutkastsdeflektorn. Se till att det inte finns några skador, som sprickor eller trasiga fjädrar, som medför att det inte går att stänga dörren.
3. Byt sidoutkastsdeflektorn eller fjädrarna om de är skadade.

Kontrollera bränslesystemet

- Kontrollera bränsletanklocket och tätningen till bränsletanklocket för att se till att det inte finns några skador.
- Kontrollera bränsleslangen för att se till att inget läckage förekommer. Om bränsleslangen är skadad ska du låta en serviceverkstad byta ut den.

Justera kopplingsvajern ((LC 151S, LB 251S, LB 256SP))

Du måste minska längden på kopplingsvajern under följande förhållanden:

- Hjuldrivningen kopplas inte in när du drar i drivbygeln eller hastighetsreglaget.
- Produkten rör sig långsamt när du har kopplat in hjuldrivningen.

Du måste öka längden på kopplingsvajern under följande förhållanden:

- Produkten rör sig när hjuldrivningen inte är inkopplad.
- Justera kopplingsvajern
 - a) Om du vill minska längden på kopplingsvajerns vrider du justerskraven moturs.
 - b) Om du vill öka längden på kopplingsvajern vrider du justerskraven medurs. (Fig. 42)

Om produkten inte fungerar på rätt sätt efter justeringen kontaktar du en serviceverkstad.

Felsökning av motorn

Problem	Möjlig orsak	Lösning
Maskinen startar inte.	Tändkabeln är felaktigt ansluten.	Anslut tändkabeln till tändstiftet.
	Bränsletanken är tom.	Fyll bränsletanken med korrekt bränsle- typ.
	Bränslet är gammalt.	Töm bränsletanken och förgasaren. Fyll på med ny bensin.
	Det finns smuts i förgasare eller bränsle- ledning.	Rengör förgasaren och/eller bränslele- ningen.
	Tändstiftet är defekt.	Justera elektrodavståndet, rengör eller byt ut tändstiftet.
	Det finns bränsle på tändstiftet.	Rengör tändstiftet.
Motorn startar inte.	Stoppmekanismen är defekt.	Koppla bort tändkabeln från tändstiftet. Låt en godkänd serviceverkstad reparera produkten.
Motorn går ojämnt.	Tändkabeln är felaktigt ansluten.	Anslut tändkabeln till tändstiftet.
	Det finns smuts i bränsleledningen eller så är bränslet slut.	Rengör bränsleledningen. Fyll bränsle- tanken med nytt bränsle av rätt typ.
	Det är stopp i bränsletanklocket.	Rensa bränsletanklocket.
	Det finns vatten eller smuts i bränslesys- temet.	Tappa ur bränsletanken. Fyll bränsle- tanken med nytt bränsle av rätt typ.
	Lufffiltret är smutsigt.	Rengör lufffiltret.
	Förgasaren måste justeras.	Låt en serviceverkstad justera förgasa- ren.
Motorn blir för varm.	Motoroljenivån är för låg.	Fyll på motorolja.
	Luffflödet är inte tillräckligt.	Rengör lufffiltret och lufffilterkåpan.
	Förgasaren måste justeras.	Låt en serviceverkstad justera förgasa- ren.
Motorn feltänder när den ar- betar på höga varvtal.	Elektrodavståndet i tändstiftet är för litet.	Justera elektrodavståndet.
Ovanliga ljud från motorn vid normal belastning.	Fel typ av bensin.	Töm bränsletanken och förgasaren. Fyll på med ny bensin. Se <i>Fylla på bränsle</i> <i>på sida 381</i> . Kontakta din lokala service- verkstad om problemet kvarstår.
Motorn fungerar inte korrekt på tomgång.	Tändstiftet är smutsigt, defekt eller elek- trodavståndet är för stort.	Justera elektrodavståndet eller byt ut tändstiftet.
	Förgasaren måste justeras.	Justera förgasaren.
	Lufffiltret är smutsigt.	Rengör lufffiltret.

Transport och förvaring

- Vid förvaring och transport av produkten och bränslet ska du se till att det inte förekommer något läckage eller avgaser. Gnistor eller öppen eld, t.ex. från elektriska apparater eller pannor, kan orsaka brand.
- Använd alltid godkända behållare för transport och förvaring av bränsle.
- Töm bränsletanken innan du placerar produkten för förvaring under en längre tid. Kassera bränslet på lämplig anvisad plats
- Fäst produkten ordentligt under transport för att förhindra skador och olyckor.
- Förvara produkten i ett låst utrymme för att förhindra åtkomst för barn eller personer som inte är behöriga.
- Förvara produkten på en torr och frostfri plats.

Kassering

- Följ lokala återvinningsbestämmelser och tillämpliga förordningar.
- Kassera alla kemikalier, som olja och bränsle, vid en serviceverkstad eller på lämplig anvisad plats.
- När produkten inte längre används ska du skicka den till en Husqvarna-återförsäljare eller lämna den till en återvinningsstation.

Tekniska data

Tekniska data

	LC 151	LC 151S	LB 251S	LB 256SP
Motor				
Varumärke	Husqvarna	Husqvarna	Husqvarna	Husqvarna
Motortyp	Encylindrig, fyr-takt, forcerad luftkylning, OHV	Encylindrig, fyr-takt, forcerad luftkylning, OHV	Encylindrig, fyr-takt, forcerad luftkylning, OHV	Encylindrig, fyr-takt, forcerad luftkylning, OHV
Slagvolym, cm ³	166	166	166	166
Varvtal, varv/min	2 800	2 800	2 800	2 800
Nominell motoreffekt, kW ¹⁷⁸	2,7	2,7	2,7	2,7
Tändsystem				
Tändstift	Husqvarna HQT-7	Husqvarna HQT-7	Husqvarna HQT-7	Husqvarna HQT-7
Elektroddgap, mm	0,7–0,8	0,7–0,8	0,7–0,8	0,7–0,8
Bränsle-/smörjsystem				
Typ av motorsmörjning	Splash	Splash	Splash	Splash
Volym bensintank, liter	1,0	1,0	1,0	1,0
Volym oljetank, liter	0,5	0,5	0,5	0,5
Motorolja ¹⁷⁹	Husqvarna SAE 30	Husqvarna SAE 30	Husqvarna SAE 30	Husqvarna SAE 30
Vikt				
Med tomma tankar, kg	31,1	32,6	32,0	33,1
Bulleremissioner¹⁸⁰				
Ljudeffektnivå, uppmätt, dB(A)	96	96	95	97
Ljudeffektnivå, garanterad, L _{WA} dB(A)	98	98	96	98
Ljudnivåer¹⁸¹				
Ljudtrycksnivå vid användarens öra, dB(A)	86	86	82	86

¹⁷⁸ Motorns angivna märkeffekt är medelvärde för nettoeffekten (vid det specificerade varvtalet) hos en typisk produktionsmotor för den motormodell som mätts enligt SAE-standard J1349/ISO1585. Massproducerade motorer kan avvika från detta värde. Den faktiska effekten hos den motor som är installerad i slutprodukten kommer att bero på driftshastigheten, omgivningens egenskaper och andra faktorer.

¹⁷⁹ Om SAE-30-olja används vid lägre temperaturer än 5 °C är det risk att motorn inte smörjs tillräckligt. Detta kan skada motorn. Information om rätt olja vid låga temperaturer finns i *Byta motorolja på sida 384*.

¹⁸⁰ Emission av buller till omgivningen uppmätt som ljudeffekt (L_{WA}) enligt EG-direktiv 2000/14/EG.

¹⁸¹ Redovisade data för ljudtrycksnivå har ett typiskt spridningsmått (standardavvikelse) på 1,2 dB(A).

	LC 151	LC 151S	LB 251S	LB 256SP
Vibrationsnivåer¹⁸²				
Vibrationer i styre, m/s ²	8,5	8,5	4,7	7,5
Skärutrustning				
Klipphöjd, mm	25–75	25–75	25–75	25–75
Klippbredd, mm	510	510	510	560
Klippsystem	Uppsamling/Bio-Clip®/sidoutkast	Uppsamling/Bio-Clip®/sidoutkast	BioClip®/sidoutkast	BioClip®/sidoutkast
Kniv – standard	Uppsamling: 598562601	Uppsamling: 598562601	Mulching: 597683901	Mulching: 598563601
Kniv – tillbehör	Mulching: 597683901	Mulching: 597683901	–	–
Gräsuppsamlarens kapacitet, liter	65	65	–	–
Drivning				
Självgående hastighet, km/h	–	3,6	4,0	3,6

¹⁸² Rapporterade data för vibrationsnivå har en typisk statistisk spridning (standardavvikelse) på 0,2 m/s².

EG-försäkran om överensstämmelse

EG-försäkran om överensstämmelse

Husqvarna AB, 561 82 Huskvarna, Sverige, tel:

+46-36-146500, försäkrar härmed att **gräsklipparen**

Husqvarna LC 151, LC 151S, LB 251S, LB 256SP från

år 2020 och framåt uppfyller kraven i RÅDETS

DIREKTIV:

- av den 8 juni 2011 angående "begränsning av användning av vissa farliga ämnen" **2011/65/EU**
- av den 17 maj 2006 "angående maskiner" **2006/42/EG**
- av den 26 februari 2014 "angående elektromagnetisk kompatibilitet" **2014/30/EU**
- av den 8 maj 2000 "angående emission av buller i miljön" **2000/14/EG**

Information om bulleremissioner finns i avsnittet

Tekniska data.

Följande standarder har tillämpats:

EN ISO 5395-1:2013, EN ISO 5395-1:2013/A1, EN ISO 5395-2:2013, EN ISO 5395-2:2013/A1:2016, EN ISO 5395-2:2013/A2:2017, EN ISO 14982:2009

Om inte annat anges är ovan angivna standarder de senast offentliggjorda versionerna.

Anmält organ (LC 151, LC 151S, LB 256SP): **0036, TÜV SÜD Industrie Service GmbH, Westendstrasse 199, 80686 München, Germany** har utfört en utvärdering av överensstämmelse i enlighet med bilaga VI till direktiv 2000/14/EG.

Anmält organ (LB 251S): **0404, RISE SMP Svensk Maskinprovning AB, Box 7035, SE-750 07 Uppsala, Sweden** har utfört en utvärdering av överensstämmelse i enlighet med bilaga VI till direktiv 2000/14/EG.

Huskvarna, 2020-10-20



Claes Losdal, utvecklingschef/trädgårdsprodukter
(auktoriserad representant för Husqvarna AB samt ansvarig för tekniskt underlag)

İçindekiler

Giriş.....	391	Motor sorunlarını giderme.....	400
Güvenlik.....	392	Taşıma, depolama ve atma.....	401
Montaj.....	394	Teknik veriler.....	402
Çalışma.....	395	AT Uyumluluk Bildirimi.....	404
Bakım.....	397		

Giriş

Ürün açıklaması

Ürün, yaya kumandalı bir döner çim biçme makinesidir. LC 151, LC 151S için çimleri toplamak amacıyla çim toplama sepetini takın. Yandan çim boşaltımı için yandan boşaltma sapırtıcısını takın. LC 151, LC 151S için çimi gübre haline getirmek amacıyla bir malç kiti takın.

Ürüne genel bakış

(Şek. 1)

1. Gidon
2. Motor fren kolu
3. Tahrik kolu (LC 151S, LB 256SP)
4. Tahrik kolu (LB 251S)
5. Arka kapak (LC 151, LC 151S)
6. Çim toplama sepeti (LC 151, LC 151S)
7. Tutma yeri yükseklik topuzları
8. Kesme yüksekliği kolu
9. Yağ kapağı ve yağ ölçme çubuğu
10. Yandan boşaltma kapağı
11. Susturucu
12. Buji
13. Karbüratör
14. Yakıt tankı kapağı
15. Semboller
16. Kesme kapağı
17. Hava filtresi
18. Yan sapırtıcı
19. Malç kiti (LC 151, LC 151S için aksesuar)
20. Çalıştırma ipi kolu
21. Kullanım kılavuzu

Ürün üzerindeki semboller

(Şek. 2) UYARI! Dikkatli olun ve ürünü doğru kullanın. Bu ürün, operatör ya da başkaları açısından ciddi yaralanmalara veya ölüme neden olabilir.

(Şek. 3) Lütfen kullanım kılavuzunu dikkatle okuyun ve kullanımdan önce talimatları anladığınızdan emin olun.

Kullanım amacı

Ürünü çim biçmek için kullanın. Ürünü başka işler için kullanmayın.

(Şek. 4) Atılan nesnelere ve seken cisimlere dikkat edin.

(Şek. 5) İnsanları ve hayvanları çalışma alanından güvenli bir uzaklıkta tutun.

(Şek. 6) Uyarı: El ve ayaklarınızı döner bıçaktan uzak tutun.

(Şek. 7) Uyarı: El ve ayaklarınızı döner parçalardan uzak tutun.

(Şek. 8) Onarım veya bakım işlemlerinden önce motoru durdurun ve ateşleme kablosunu çıkarın.

(Şek. 9) Bu ürün geçerli AT direktiflerine uygundur.

(Şek. 10) Avrupa Topluluğu Direktifi uyarınca çevreye yayılan gürültü emisyonu. Ürünün emisyonu Teknik veriler bölümünde ve etiketin üstünde belirtilmektedir.

(Şek. 11) Yangın tehlikesi.

(Şek. 12) Egzoz dumanlarını solumayın. Motordan gelen egzoz dumanı kokusuz, zehirli ve son derece tehlikeli bir gaz olan karbon monoksit içerir. Motoru iç mekanlarda veya kapalı alanlarda çalıştırmayın.

(Şek. 13) Sıcak yüzey.

(Şek. 14) Ürünü çalıştırmadan önce motora yağ doldurun.

Not: Ürünün üzerindeki diğer semboller/etiketler, bazı ticari alanların sertifikalandırma gereklilikleri ile ilgilidir.

Ürün sorumluluğu

Ürün sorumluluğu yasalarında belirtildiği üzere;

- ürünün hatalı bir şekilde onarılması,
- ürünün, üretici tarafından onaylanmayan veya üreticiden alınmayan parçalarla tamir edilmesi,
- üründe, üreticiden alınmayan veya üretici tarafından onaylanmayan bir aksesuar bulunması,

- ve ürünün, onaylı bir servis merkezinde veya yetkili bir kurum tarafından tamir edilmemesi durumunda oluşabilecek hasarlardan sorumlu değildir.

Avrupa V Emisyonları



UYARI: Motorun kurcalanması bu ürünün AB tip onayını geçersiz kılar.

Güvenlik

Güvenlik tanımları

Kılavuzdaki önemli kısımları vurgulamak için uyarılar ve notlar kullanılmıştır.



UYARI: Kılavuzdaki talimatlara uyulmadığı takdirde operatör veya çevredeki kişiler için ciddi yaralanma veya ölüm tehlikesi varsa kullanılır.



DİKKAT: Kılavuzdaki talimatlara uyulmadığı takdirde ürünün, diğer malzemelerin veya çevrenin zarar görme riski olduğunda kullanılır.

Not: Belirli bir durumda bilgi verilmesi gerektiğinde kullanılır.

Genel güvenlik talimatları



UYARI: Ürünü kullanmadan önce aşağıdaki uyarı talimatlarını okuyun.

- Bu ürün yanlış kullanıldığında veya dikkatli olmazsanız tehlikelidir. Güvenlik talimatlarına uyulmaması yaralanmalara veya ölüme yol açabilir.
- Bu ürün, çalışırken elektromanyetik bir alan oluşturur. Bu alan, bazı koşullarda aktif veya pasif tıbbi implantlarda girişime neden edebilir. Ciddi veya ölümcül yaralanma riskini azaltmak için tıbbi implant olan kişilerin, bu ürünü kullanmadan önce doktorlarına ve tıbbi implant üreticilerine danışmalarını öneririz.
- Her zaman dikkatli olun ve sağduyunuzu kullanın. Özel bir durumda aracı nasıl kullanacağınızdan emin değilseniz durun ve devam etmeden önce Husqvarna yetkili satıcınızla görüşün.
- Diğer insanları veya bu insanlara ait mülkleri içeren kazalardan operatörün sorumlu tutulacağını unutmayın.
- Ürünü temiz tutun. İşaretleri ve etiketleri net bir şekilde okuyabildiğinizden emin olun.

- Kullanım kılavuzunun içindekileri okuyup anladığından emin olmadan kimsenin ürünü kullanmasına izin vermeyin.
- Ürünü, bir çocuğun kullanmasına izin vermeyin.
- Çocukları çalışma alanından uzakta tutun. Sorumluluk sahibi bir yetişkin her zaman orada olmalıdır.
- Talimatlar hakkında bilgisi olmayan birinin ürünü kullanmasına izin vermeyin.
- Fiziksel veya zihinsel kapasitesi düşük olan bir kişi ürünü kullanırken bu kişiyi daima gözetim altında tutun. Sorumluluk sahibi bir yetişkin her zaman orada olmalıdır.
- Ürünü yorgun, hasta veya alkol ya da ilaç etkisi altındayken kullanmayın. Bu durum görüş, dikkat, koordinasyon ve doğru bir şekilde düşünmenizi olumsuz yönde etkiler.
- Arızalıysa ürünü kullanmayın.
- Başkaları tarafından değiştirilmiş olma olasılığı varsa bu ürünü değiştirmeyin veya kullanmayın.
- Motor devir kontrolü ayarını değiştirmeyin.

Çalışma alanı güvenliği



UYARI: Ürünü kullanmadan önce aşağıdaki uyarı talimatlarını okuyun.

- Ürünü kullanmadan önce çalışma alanındaki dal, çalı çırpı ve taş gibi nesnelere alın.
- Kesme donanımına çarpan nesnelere fırlatılarak kişi ve nesnelere zarar görmesine neden olabilir. Etraftaki insanları ve hayvanları üründen güvenli bir uzaklıkta tutun.
- Ürünü sis, yağmur, kuvvetli rüzgar, şiddetli soğuk ve yıldırım düşmesi riski gibi olumsuz hava koşullarında hiçbir zaman kullanmayın. Ürünü olumsuz hava koşullarında veya nemli ya da ıslak yerlerde kullanmak yorucudur. Kötü hava, kaygan yüzeyler gibi tehlikeli koşullara neden olabilir.
- Ürünün güvenli bir şekilde çalışmasını önleyebilecek kişi, nesne ve durumlara dikkat edin.
- Kök, taş, çalı çırpı, çukur, hendek gibi engellere dikkat edin. Uzun çim nesnelere saklayabilir.

- Eğimli yerlerde çim kesmek tehlikeli olabilir. Ürünü 15°'den daha eğimli zeminlerde kullanmayın.
- Yokuşlarda ürünü yatay olarak kullanın. Yukarı ve aşağı hareket ettirmeyin.
- Gizli köşelere ve açık görüşü engelleyen nesnelere yanına giderken dikkatli olun.

Çalışma güvenliği



UYARI: Ürünü kullanmadan önce aşağıdaki uyarı talimatlarını okuyun.

- Bu ürünü yalnızca çimenlik alanlarda çim kesmek için kullanın. Ürünün başka işler için kullanılması yasaktır.
- Kişisel koruyucu araçlar kullanın. Bkz. *Kişisel koruyucu ekipman sayfa: 393*.
- Acil bir durumda motoru hızlı bir şekilde nasıl kapatacağınızı öğrenin.
- Ürünü hiçbir zaman kapalı yerlerde veya yanıcı maddelerin yakınında çalıştırmayın. Motordan çıkan egzoz dumanları sıcaklık ve yangın çıkmasına neden olabilecek kıvılcımlar içerebilir.
- Bıçağı ve tüm kapakları doğru bir şekilde takmadan ürünü çalıştırmayın. Yanlış bir şekilde takılan bıçak gevşeyerek yaralanmanıza neden olabilir.
- Bıçağın taş veya kök gibi nesnelere çarpmamasına dikkat edin. Bu, bıçağa zarar verebilir ve motor milini bükebilir. Bükülmüş aks, ağır titreşime ve çok yüksek bir bıçak gevşemesi riskine neden olabilir.
- Bıçak bir cisme çarpar veya titreşim olursa ürünü hemen durdurun. Ateşleme kablosunu bujiden ayırın. Üründe hasar olup olmadığını kontrol edin. Hasarları onarın veya yetkili bir servis noktasının onarım yapmasını sağlayın.
- Motor çalıştırıldığında motor fren kolunu hiçbir zaman sürekli olarak kola takmayın.
- Ürünü sabit ve düz bir yüzeye koyup çalıştırın. Bıçağın yere veya diğer cisimlere çarpmadığından emin olun.
- Ürünü çalıştırırken her zaman arkasında durun.
- Ürünü kullanırken tüm tekerleklerin yere basmasını sağlayın ve 2 elinizi kolun üzerinde tutun. Ellerinizi ve ayaklarınızı döner bıçaklardan uzakta tutun.
- Motor çalışırken ürünü yatırmayın.
- Ürünü arkaya doğru çekerken dikkatli olun.
- Motor çalışırken ürünü hiçbir zaman yukarı kaldırmayın. Ürünü kaldırmamız gerekirse önce motoru durdurun ve ateşleme kablosunu bujiden ayırın.
- Ürünü kullanırken arkaya doğru yürümeyin.
- Çakıl, taş ve asfalt gibi malzemelerden yapılmış, çim olmayan alanlardan geçerken motoru durdurun.
- Motor çalışırken ürünle birlikte koşmayın. Ürünü kullanırken her zaman yürüyün.
- Kesme yüksekliğini değiştirmeden önce motoru durdurun. Motor çalışırken asla ayarlama yapmayın.

- Motor çalışırken ürünün hiçbir zaman görüş alanından çıkmasına izin vermeyin. Motoru durdurun ve kesme donanımının dönmediğinden emin olun.

Kullanım için güvenlik talimatları

Kişisel koruyucu ekipman



UYARI: Ürünü kullanmadan önce aşağıdaki uyarı talimatlarını okuyun.

- Kişisel koruyucu ekipmanlar yaralanma riskini tamamen engelleyemez ancak bir kaza durumunda yaralanmanın derecesini azaltır. Bayinizin doğru ekipmanı seçmenize yardımcı olmasını sağlayın.
- Gürültü düzeyi 85 dB'den fazlaysa kulaklık koruma ekipmanı kullanın.
- Ağır hizmet tipi kaymayan botlar veya ayakkabılar kullanın. Açık ayakkabılar giymeyin veya çıplak ayakla yürümeyin.
- Kalın, uzun pantolonlar giyin.
- Kesme donanımını takma, kontrol etme veya temizleme gibi gerekli durumlarda koruyucu eldivenler kullanın.

Ürünün üzerindeki güvenlik aletleri



UYARI: Ürünü kullanmadan önce aşağıdaki uyarı talimatlarını okuyun.

- Güvenlik araçları arızalı olan bir ürünü kullanmayın.
- Güvenlik araçlarını düzenli olarak kontrol edin. Güvenlik araçları arızalıysa Husqvarna servis noktanızla görüşün.

Kesme kapağını kontrol etme

Kesme kapağı, üründeki titreşimleri ve bıçakla yaralanma riskini azaltır.

- Çatlak gibi hasarlar olmadığından emin olmak için kesme kapağını inceleyin.

Motor fren kolunu kontrol etme

Motor fren kolu, motoru durdurur. Motor fren kolu bırakıldığında motor durur.

- Motoru çalıştırın ve ardından motor fren kolunu serbest bırakın. Motor 3 saniye içinde durmazsa motor frenini onaylı Husqvarna servis noktasına ayarlatın. (Şek. 15)

Arka kapağı kontrol etme

Arka sapırtıcı, objelerin operatöre doğru fırlama riskini azaltır.

- Arka kapağın zarar görmemiş olduğundan emin olun.

- Arka kapağı kapatan yayların zarar görmemiş olduğundan emin olun.
- Hasarlı yayları ve parçaları değiştirin.
- Arka kapağın menteşeler üzerinde sorunsuz şekilde hareket edebildiğinden emin olun.

Susturucu

Susturucu, gürültü düzeyini minimum seviyede tutar ve egzoz dumanlarını operatörden uzağa gönderir.

Susturucu yoksa veya arızalıysa ürünü kullanmayın. Arızalı bir susturucu, gürültü düzeyini ve yangın riskini artırır.



UYARI: Susturucu kullanım sırasında, kullanım sonrasında ve motor rölantide çalışırken çok sıcak olur. Yangını önlemek için yanıcı malzemelerin ve/veya dumanların yakınında dikkatli olun.

Susturucuyu kontrol etme

- Düzgün takıldığından ve hasarlı olmadığından emin olmak için susturucuyu düzenli olarak kontrol edin.

Yakıt güvenliği



UYARI: Ürünü kullanmadan önce aşağıdaki uyarı talimatlarını okuyun.

- Ürünün üzerinde yakıt veya motor yağı varsa ürünü çalıştırmayın. İstenmeyen yakıtı/yağı temizleyin ve ürünün kurumasını bekleyin.
- Kıyafetlerinize yakıt bulaşırsa kıyafetlerinizi hemen değiştirin.
- Vücudunuza yakıt bulaştırmayın; bu, yaralanmaya sebep olabilir. Vücudunuza yakıt bulaşırsa yakıtı temizlemek için su ve sabun kullanın.
- Motorda sızıntı varsa ürünü çalıştırmayın. Motorda sızıntı olup olmadığını düzenli olarak kontrol edin.
- Yakıtla uğraşırken dikkatli olun. Yakıt yanıcı ve dumanlar patlayıcıdır; yaralanmalara veya ölüme sebep olabilir.
- Yaralanmaya sebep olabileceğinden yakıt dumanını solumayın. Yeterli hava akışı olduğundan emin olun.
- Yakıtın veya motorun yakınında sigara içmeyin.
- Yakıtın veya motorun yakınına sıcak nesnelere koymayın.

- Motor açıkken yakıt eklemeyin.
- Yakıtı yenilemeden önce motorun soğuduğundan emin olun.
- Yakıtı yenilemeden önce yakıt tankı kapağını yavaşça açın ve basıncı dikkatlice tahliye edin.
- Kapalı bir alanda motora yakıt eklemeyin. Nefessiz kalma veya karbon monoksit nedeniyle yeterli hava akışının olmaması yaralanmaya veya ölüme sebep olabilir.
- Yakıt tankı kapağını tamamen sıkın. Yakıt tankı kapağı sıkılmamışsa yangın riski vardır.
- Çalıştırmadan önce ürünü, yakıt tankını doldurduğunuz konumdan en az 3 m/10 ft uzağa taşıyın.
- Yakıt tankını tamamen doldurmayın. Isı yakıtın genişlemesine neden olur. Yakıt tankının üst kısmında boşluk bırakın.

Bakım için güvenlik talimatları



UYARI: Ürünü kullanmadan önce aşağıdaki uyarı talimatlarını okuyun.

- Motordan gelen egzoz dumanı kokusuz, zehirli ve son derece tehlikeli bir gaz olan karbon monoksit içerir. Motoru iç mekanlarda veya kapalı alanlarda çalıştırmayın.
- Ürün üzerinde bakım yapmadan önce motoru durdurup ateşleme kablosunu bujiden çıkarın.
- Kesme donanımı üzerinde bakım yaparken koruyucu eldiven kullanın. Bıçak çok keskindir ve kolaylıkla kesiklere yol açabilir.
- Üretici tarafından onaylanmamış aksesuarlar ve ürün değişiklikleri, ciddi yaralanmalara veya ölüme neden olabilir. Ürünü değiştirmeyin. Her zaman üretici tarafından onaylanmış aksesuarları kullanın.
- Bakım işlemi doğru ve düzenli şekilde yapılmadığı takdirde yaralanma ve ürün hasarı riski artar.
- Bakım işlemi yalnızca kullanıcı kılavuzunda belirtildiği şekilde gerçekleştirin. Diğer tüm servis ve bakım işlemleri, onaylı Husqvarna servis noktası tarafından yapılmalıdır.
- Ürün üzerindeki servis işlemlerini düzenli olarak Husqvarna servis noktasına yaptırın.
- Hasarlı, aşınmış ya da kırık parçaları değiştirin.

Montaj

Giriş



UYARI: Ürünü monte etmeden önce güvenlik bölümünü okuyup anlamalısınız.



UYARI: Ürünün montajını yapmadan önce buji kablosunu bujiden çıkarın.

Tutma yerinin takılması

1. Vidayı (A) iterek tutma yerinin (B), plastik pulun (C) ve tutma yeri destek braketinin (D) içinden geçirin. (Şek. 16)
2. Somunu (E) tamamen sıkın.
3. Vidayı (F) iterek pulun (G) ve tutma yeri destek braketinin içinden geçirin. (Şek. 17)
4. Topuzu (H) tamamen sıkın.

Tutma yerinin ayarlanması

1. Alt düğmeleri gevşetin.
2. Düğmeleri ürünün sol ve sağ tarafındaki girintilerin alttaki ucuna getirin. (Şek. 18)
3. Kol yüksekliğini mevcut 2 konumdan birine ayarlayın.
4. Düğmeleri durana ve tık sesi duyulana kadar kol yönünde yukarı hareket ettirin. (Şek. 19)
5. Düğmeleri tamamen sıkın.

Ürünü taşıma konumuna getirme

1. Alt düğmeleri gevşetin.

2. Düğmeleri ürünün sol ve sağ tarafındaki girintilerin alttaki ucuna getirin. (Şek. 18)
3. Kolu öne doğru katlayın. (Şek. 20)

Ürünü çalıştırma konumuna getirme

1. Kolu dik konuma gelecek şekilde katlayın. (Şek. 21)
2. Düğmeleri durana ve tık sesi duyulana kadar kol yönünde yukarı hareket ettirin. (Şek. 19)
3. Düğmeleri tamamen sıkın.

Çim toplama sepetinin takılması (LC 151, LC 151S)

1. Çim toplama sepeti çerçevesini, torbanın sert kısmı aşağı gelecek şekilde çim torbasına takın. Çerçeve tutma yerini torbanın üstünde olacak şekilde dışarıda tutun. (Şek. 22)
2. Çim torbasını kiplerle çerçeveye tutturun. (Şek. 23)

Çalışma

Giriş



UYARI: Ürünü kullanmadan önce güvenlik bölümünü okuyup anlamalısınız.

Husqvarna Connect

Husqvarna Connect, mobil cihazınız için ücretsiz bir uygulamadır. Husqvarna Connect uygulaması, Husqvarna ürününüz için ayrıntılı işlevler sunar:

- Ayrıntılı ürün bilgileri.
- Ürün parçaları ve servis hakkında bilgi ve yardım.

Husqvarna Connect uygulamasını kullanmaya başlamak için

1. Husqvarna Connect uygulamasını mobil cihazınıza indirin.
2. Husqvarna Connect uygulamasında kaydolun.
3. Ürünü bağlamak ve kaydetmek için Husqvarna Connect uygulamasındaki talimatları izleyin.

Ürünü çalıştırmadan önce

1. Kullanım kılavuzunu dikkatle okuyun ve talimatları anladığınızdan emin olun.
2. Doğru bir şekilde takılıp ayarlandığından emin olmak için kesme donanımını inceleyin. Bkz. *Kesme donanımını kontrol etme sayfada: 398.*
3. Yakıt tankını doldurun. Bkz. *Yakıt doldurma sayfada: 395.*

4. Yağ tankını doldurun ve yağ seviyesini kontrol edin. Bkz. *Yağ seviyesini kontrol etme sayfada: 398.*

Yakıt doldurma

Varsa düşük emisyonlu/alkilat benzin kullanın. Düşük emisyonlu/alkilat benzin yoksa kaliteli kurşunsuz benzin veya oktan numarası 90'ın altında olmayan kurşunlu benzin kullanın.



DİKKAT: Oktan numarası 90 RON (87 AKI) değerinin altında olan benzin kullanmayın. Bu, üründe hasara neden olabilir.

1. Basıncı tahliye etmek için yakıt tankı kapağını yavaşça açın.
2. Yakıt bidonuyla yavaşça doldurun. Yakıt dökerseniz bezle silin ve kalan yakıtı kurumaya bırakın. (Şek. 24)
3. Yakıt tankı kapağının çevresini temizleyin.
4. Yakıt tankı kapağını tamamen sıkın. Yakıt tankı kapağı sıkılmamışsa yangın riski vardır.
5. Çalıştırmadan önce ürünü, yakıt tankını doldurduğunuz konumdan en az 3 m (10 ft) uzağa taşıyın.

Kesme yüksekliğini ayarlama

1. Kesme yüksekliğini artırmak için kesme yüksekliği kolunu arkaya getirin.
2. Kesme yüksekliğini azaltmak için kesme yüksekliği kolunu öne getirin. (Şek. 25)



DİKKAT: Kesme yüksekliğini çok alçakta belirlemeyin. Çimenlik alanın yüzeyi düz değilse bıçaklar yere çarpabilir.

Ürünü çalıştırma

1. Ateşleme kablosunun bujiye bağlandığından emin olun.
2. Ürünün arkasında durun.
3. Motor fren kolunu tutma çubuğunun karşısında tutun. (Şek. 26)
4. Çalıştırma ipinin kolunu sağ elinizle tutun.
5. Çalıştırma ipini bir miktar direnç hissedene kadar yavaşça çekin.
6. Motoru çalıştırmak için kuvvetlice çekin.



UYARI: Çalıştırma ipini elinize dolamayın.

Tekerleklerde tahrikin kullanılması LC 151S & LB 256SP

- Tahrik kolunu gidonun yönünde itin. (Şek. 27)
- Örneğin bir engele yaklaştığınızda, tahriki devre dışı bırakmak için tahrik kolunu serbest bırakın.
- Ürünü geriye doğru çekmeden önce tahriki devre dışı bırakın ve ürünü yaklaşık 10 cm ileri itin.

Tekerleklerde tahrikin kullanılması (LB 251S)

- Tahrik kolunu gidonun yönünde çekin. (Şek. 28)
- Örneğin bir engele yaklaştığınızda, tahriki devre dışı bırakmak için tahrik kolunu, gidondan uzağa doğru itin.

Not: Motor freni kolunu bıraktığınızda tahrik kolu otomatik olarak devre dışı bırakılır.

- Ürünü geriye doğru çekmeden önce, tahriki tamamen devre dışı bırakmak için tahrik kolunu, gidondan uzağa doğru itin ve ürünü yaklaşık 10 cm ileri itin.

Ürünü durdurma

- Yalnızca tahriki durdurmak için tahrik kolunu ((LC 151S, LB 256SP) veya (LB 251S)) serbest bırakın.
- Motoru durdurmak için motor fren kolunu serbest bırakın.

Ürünü çim toplama sepetiyle kullanma (LC 151, LC 151S)



UYARI: Ürünü çim toplama sepeti takılı olmadan veya arka kapağı kapatmadan kullanmayın. Nesnelere fırlatabilir ve operatörün yaralanmasına neden olabilir.

1. Arka kapağı kaldırın ve takılıysa malç tapasını çıkarın. (Şek. 29)
2. Çim toplama sepetini takma, bkz. *Çim toplama sepetinin takılması (LC 151, LC 151S) sayfada: 395.*
3. Çim toplama sepetini brakete takın.
4. Arka kapağı serbest bırakın ve çim torbası çerçevesinin üzerine koyun. (Şek. 30)

Ürünü malç moduna getirme (LC 151, LC 151S)

Ürünü malç moduna almadan önce motorun kapalı olduğundan emin olun.

1. Arka kapağı kaldırın ve takılıysa çim toplama sepetini çıkarın.
2. Malç tapasını boşaltma kanalının içine yerleştirin. (Şek. 31)
3. Arka kapağı kapatın ve malç tapasına doğru sıkıca kapalı olduğundan emin olun.
4. Bıçağı, malç kitinde tedarik edilen malç bıçağı ile değiştirin. Bkz. *Bıçağı değiştirme sayfada: 398.*

Ürünü yandan boşaltma moduna getirme

1. Arka kapağı kaldırın ve takılıysa çim torbasını çıkarın.
2. Arka kapağı kapatın ve ürüne doğru sıkıca kapalı olduğundan emin olun.
3. Boşaltma kilidini kaldırın. (Şek. 32)
4. Yandan boşaltma kapağını açın ve yandan boşaltma sapırcısını destek pimlerine takın. (Şek. 33)
5. Yandan boşaltma kapağını yandan boşaltma sapırcısına doğru kapatın. Ürünü çalıştırmadan önce yandan boşaltma sapırcısının sıkıca yerine oturduğundan emin olun.

Çim toplama sepetini boşaltma



DİKKAT: Aşınmayı önlemek için çim toplama sepetini hareket ettirirken yukarı kaldırın.

1. Çim toplama sepetini çerçeve kolu ile kaldırın.
2. Çim toplama sepetini boşaltırken çerçeve tutma yerini ve torba tutma yerini kullanın. (Şek. 34)

İyi sonuç alma

- Her zaman keskin bıçak kullanın. Kör bıçak, düzensiz bir sonuç verir ve çimin kesme yüzeyi sarı olur. Ayrıca keskin bıçak kör bıçaktan daha az güç kullanır.
- Çim boyunun 1/3'ünden fazlasını kesmeyin. Çim kesmeye başlarken en yüksek kesme yüksekliğini kullanın. Sonucu inceleyin ve kesme yüksekliğini uygun seviyeye indirin. Çimler çok uzunsu makineyi yavaş kullanın ve gerekirse 2 kere kesin.

- Her seferinde farklı yönlerde keserek çimenlik alanda çizgi oluşmasını önleyin.
- Arka kapağı kaldırın ve çim toplama sepetini sökün.
- Malç tapası ve malç bıçağı takılıysa bunları çıkarın.

- Ürünü çalıştırmadan önce arka kapağı kapatın. Çalışma sırasında kesilen çim arka kapağın alt kısmından boşaltılır.

Bakım

Giriş



UYARI: Bakım yapmadan önce güvenlik bölümünü okuyup anlamanız gerekir.

Ürüne uygulanacak tüm servis ve onarım işlemleri için özel eğitim gereklidir. Profesyonel onarım ve servis hizmetlerinin mevcut bulunduğunu garanti etmekteyiz. Yetkili satıcınız servis noktası değilse kendisiyle görüşüp en yakınınızdaki servis noktası hakkında bilgi edinin.

Bakım takvimi



DİKKAT: Ürünü eğerken hava filtresinin yere dayalı değil, havada olduğundan emin olun. Motor hasarı riski.

Bakım aralıkları, ürünün günlük kullanımına göre hesaplanır. Ürün her gün kullanılmazsa aralıklar değişir.

* İşaretili bakım işlemleri için bkz. *Ürünün üzerindeki güvenlik aletleri sayfada: 393.*

Bakım	Günlük	Aylık olarak	Her mevsimde
Genel inceleme yapma	X		
Yağ seviyesini inceleme	X		
Yağ değişimi (ilk kullanımda 5 saatten sonra, daha sonra her 50 saatlik kullanımda bir) ¹⁸³			X
Ürünü temizleme	X		
Kesme donanımını inceleme	X		
Kesme kapağını inceleme *	X		
Motor fren kolunu inceleme *	X		
Susturucuyu inceleme *		X	
Bujiyi kontrol edin. Gerekirse bujii temizleyin veya değiştirin			X
Hava filtresini inceleyin	X		
Hava filtresini temizleyin ¹⁸⁴		X	
Hava filtresini değiştirin			X
Yakıt sistemini inceleme			X
Silindirin soğutma kanatlarını temizleme		X	
Kavrama kablosunu (LC 151S, LB 251S, LB 256SP) inceleme ve ayarlama			X
Şanzıman kapağının (LB 251S) alt kısmını temizleme			X

Genel denetim yapma

- Ürünün üzerindeki tüm somun ve vidaların doğru şekilde sıkıldığından emin olun.

Ürünün dış kısmını temizleme

- Yaprak, çim ve kirleri gidermek için fırça kullanın.

¹⁸³ Ürün ağır yükte veya yüksek ortam sıcaklıklarında kullanılıyorsa motor yağını her 25 saatte bir değiştirin.

¹⁸⁴ Tozlu koşullarda veya havada döküntü varsa daha sık temizleyin. Çok kirliyse hava filtresini değiştirin.

- Motorun üst kısmındaki hava girişinin kapanmadığından emin olun.
- Ürünü temizlemek için yüksek basınçlı yıkayıcı kullanmayın.
- Ürünü temizlemek için su kullanıyorsanız suyu doğrudan motorun üzerine akıtmayın.

Kesme kapağının iç yüzeyini temizleme

1. Yakıt tankını boşaltın.
2. Ürünü eğin. Bujinin yukarı doğru baktığından emin olun.



DİKKAT: Ürün hava filtresi alta gelecek şekilde yerleştirilirse motor hasar görebilir.

3. Kesme kapağının iç yüzeyini hortum kullanarak suyla yıkayın.

Şanzıman kapağının (LB 251S) alt kısmını temizleme

1. Yakıt tankını boşaltın.
2. Ürünü eğin. Bujinin yukarı doğru baktığından emin olun.



DİKKAT: Ürün hava filtresi alta gelecek şekilde yerleştirilirse motor hasar görebilir.

3. 7 vidayı çıkarın. (Şek. 35)
4. Şanzıman kapağını çıkarın.
5. Yüzeyi bir fırçayla temizleyin.



DİKKAT: Şanzıman kapağının altındaki su veya kir şanzımana zarar verebilir.

6. Şanzıman kapağını ve 7 vidayı takın.

Kesme donanımını kontrol etme



UYARI: Kazara çalışmayı önlemek için ateşleme kablosunu bujiden ayırın.



UYARI: Kesme donanımına bakım yaptığınızda koruyucu eldivenler kullanın. Bıçak çok keskindir ve kolaylıkla kesiklere yol açabilir.

1. Kesme donanımında hasar veya çatlak olup olmadığını inceleyin. Hasarlı bir kesme donanımını kesinlikle değiştirin.
2. Hasarlı veya kör olup olmadığını anlamak için bıçağa bakın.

Not: Bilendikten sonra bıçağı dengelemek gerekir. Bıçağın bir servis merkezinde bilenmesini,

değiştirilmesini ve dengelenmesini sağlayın. Ürünün durmasına neden olan bir engele çarparsanız hasarlı bıçağı değiştirin. Bıçağın bilenip bilenmeyeceğini veya değiştirmek gerekip gerekmediğine servis merkezinin karar vermesini sağlayın.

Bıçağı değiştirme

1. Bıçağı ahşap bir blokla kilitleyin. (Şek. 36)
2. Bıçak civatasını sökün.
3. Bıçağı sökün.
4. Bıçak desteğinde ve bıçak civatasında hasar olup olmadığını kontrol edin.
5. Bükülmediğinden emin olmak için motor milini inceleyin.
6. Yeni bıçak taktığınızda bıçağın açılı uçlarını kesme kapağı yönüne çevirin. (Şek. 37)
7. Bıçağın, motor milinin orta kısmıyla hizalandığından emin olun.
8. Bıçağı ahşap bir blokla kilitleyin. Yaylı rondela takıp civatayı ve rondelayı 43 – 47 Nm'lik torkla sıkın. (Şek. 38)
9. Bıçağı elinizle çekerek döndürün ve serbestçe döndüğünden emin olun.



UYARI: Ağır hizmet tipi eldiven kullanın. Bıçak çok keskindir ve kolaylıkla kesiklere yol açabilir.

10. Bıçağı test etmek için ürünü çalıştırın. Bıçak düzgün takılmazsa üründe titreşim olur veya kesme sonucu tatmin edici olmaz.

Yağ seviyesini kontrol etme



DİKKAT: Yağ seviyesinin çok düşük olması motora zarar verebilir. Ürünü çalıştırmadan önce yağ seviyesini kontrol edin.

1. Ürünü düz bir zemine koyun.
2. Takılı daldırma çubuk ölçekle yağ tankı kapağını çıkarın.
3. Yağ çubuğundaki yağı temizleyin.
4. Yağ seviyesini doğru bir şekilde belirtmesi için daldırma çubuk ölçeği tamamen yağ tankına sokun.
5. Daldırma çubuk ölçeği çıkarın.
6. Daldırma çubuk ölçekteki yağ seviyesini kontrol edin.
7. Yağ seviyesi düşükse motor yağı doldurun ve yağ seviyesini tekrar kontrol edin.

Motor yağının değiştirilmesi



UYARI: Motor yağı, motor durdurulduktan hemen sonra çok sıcaktır. Motor yağını boşaltmadan önce motorun soğumasını bekleyin. Cildinize motor yağı dökülürse sabun ve suyla temizleyin.

(Şek. 39)

1. Ürünü yakıt tankı boşalana kadar çalıştırın.
2. Ateşleme kablosunu bujiden çıkartın.
3. Yağ tankı kapağını çıkarın.
4. Ürünün altına motor yağını alacak bir kap yerleştirin.
5. Yağ tankındaki motor yağını akıtmak için ürünü eğin.
6. *Teknik veriler sayfa: 402* bölümünde tavsiye edilen tip yeni motor yağı doldurun.
7. Yağ seviyesini kontrol edin. Bkz. *Yağ seviyesini kontrol etme sayfa: 398*.

Bujinin kontrol edilmesi



DİKKAT: Daima önerilen tipte buji kullanın. Yanlış buji türü ürüne zarar verebilir.

- Motor gücü düşüğe, çalıştırılması kolay değilse veya rölantide düzgün bir şekilde çalışmıyorsa bujii kontrol edin.
- Bujii elektrotlarında istenmeyen nesne riskini azaltmak için şu talimatlara uyun:
 - a) Rölanti hızının doğru ayarlandığından emin olun.
 - b) Yakıt karışımının doğru olduğundan emin olun.
 - c) Hava filtresinin temiz olduğundan emin olun.
- Bujii kirliyse temizleyin ve elektrot boşluğunun doğru olduğundan emin olun, bkz. *Teknik veriler sayfa: 402*. (Şek. 40)
- Gerekirse bujii değiştirin.

Hava filtresi

Kirlenmiş hava filtresi, motorun zarar görmesine veya düzgün çalışmamasına neden olabilir. Tozlu ortamlarda hava filtresi üzerinde daha sık bakım yapın. Hava filtresinin ne zaman değiştirileceği hakkında bilgi için bkz. *Bakım sayfa: 397*.

Not: Hasar görmüş hava filtrelerini daima değiştirin.

Hava filtresini çıkarma ve takma



UYARI: Koruyucu eldivenler kullanın.

1. Hava filtresi kapağının üzerindeki klipslere bastırın.
2. Hava filtresi kapağını (A) motordan dikkatlice çıkarın.
3. Hava filtresini (B) çıkarın. (Şek. 41)
4. Hava filtresinde hasar olup olmadığını kontrol edin. Hasar görmüş hava filtrelerini değiştirin.
5. Hava filtresini temizleyin ve kontrol edin. Bkz. *Hava filtresinin temizlenmesi sayfa: 399*.
6. Ters sırayla takın.

Hava filtresinin temizlenmesi

Kirlenmiş hava filtresi, motorun zarar görmesine veya düzgün çalışmamasına neden olabilir. Tozlu ortamlarda hava temizleyici üzerinde daha sık bakım yapın.

Hava filtresinin ne zaman değiştirileceği hakkında bilgi için bkz. *Bakım sayfa: 397*.

1. Hava filtresi kapağını ve filtreyi çıkarın.
2. Düz bir zemine doğru vurarak filtreyi temizleyin. Filtreyi temizlemek için petrol kökenli solventler, gaz yağı veya basınçlı hava kullanmayın.

Not: Uzun süredir kullanılan hava filtreleri tam anlamıyla temizlenemez. Hava filtresini düzenli aralıklarla değiştirin. Hasarlı hava filtreleri mutlaka değiştirilmelidir.

3. Hava filtresini takarken filtrenin filtre tutucusuna tamamen sabitlendiğinden emin olun.

Yandan boşaltma sapıtıcısını kontrol etme

Yandan boşaltma sapıtıcısı, ürünün yandan boşaltma ağızına takılıdır. Sapıtıcı, nesnelere operatörün biçme konumuna doğru fırlama riskini azaltır.

1. Yandan boşaltma sapıtıcısının zarar görmemiş olduğundan emin olun.
2. Yandan boşaltma sapıtıcısını kontrol edin. Çatlak veya kapağı iterek kapatan yayların kırık olması gibi kusurlar bulunmadığından emin olun.
3. Hasarlıysa yandan boşaltma sapıtıcısını veya yayları değiştirin.

Yakıt sistemini kontrol etme

- Hasar olmadığından emin olmak için yakıt tankı kapağını ve yakıt tankı kapağının contasını inceleyin.
- Sızıntı olmadığından emin olmak için yakıt hortumunu inceleyin. Yakıt hortumu hasarlıysa bir servis noktasında değiştirilmesini sağlayın.

Kavrama kablosunu ayarlama (LC 151S, LB 251S, LB 256SP)

Aşağıdaki durumlarda kavrama kablosunun uzunluğunun azaltılması gerekir:

- Tahrik kolunu veya hız kontrol kolunu çektiğinizde tekerleklerin tahriki devreye girmese.
- Tekerleklerin tahriki devreye girince ürün yavaş hareket ederse.

Aşağıdaki durumlarda kavrama kablosu uzunluğunun artırılması gerekir:

- Tekerleklerin tahriki devrede değilken ürün hareket ederse.
- Kavrama kablosunu ayarlayın.
 - a) Kavrama kablosunun uzunluğunu azaltmak için ayar vidasını saat yönünün tersine çevirin.

b) Kavrama kablosunun uzunluğunu artırmak için ayar vidasını saat yönünde çevirin. (Şek. 42)

Üründeki tahrik, ayarlamadan sonra da yetersiz kalmaya devam ederse servis bayinizle görüşün

Motor sorunlarını giderme

Sorun	Olası neden	Çözüm
Motor çalışmıyor.	Ateşleme kablosu doğru bir şekilde bağlanmamıştır.	Ateşleme kablosunu bujiye bağlayın.
	Yakıt tankı boştur.	Yakıt tankını doğru tipte yakıtla doldurun.
	Yakıt eskidir.	Yakıt tankını ve karbüratörü boşaltın. Yeni benzin doldurun.
	Karbüratör veya yakıt hattında kir vardır.	Karbüratörü ve/veya yakıt hattını temizleyin.
	Buji arızalıdır.	Elektrot boşluğunu ayarlayın, bujiyi temizleyin veya değiştirin.
	Bujinin üstünde yakıt var.	Bujiyi temizleyin.
Motor durmuyor.	Durma mekanizması arızalı.	Ateşleme kablosunu bujiden ayırın. Yetkili bir servis noktasında ürünü tamir ettirin.
Motor sorunlu şekilde çalışıyor.	Ateşleme kablosu doğru bir şekilde bağlanmamıştır.	Ateşleme kablosunu bujiye bağlayın.
	Yakıt hattında kir vardır veya yakıt eskimiştir.	Yakıt hattını temizleyin. Yakıt tankını doğru türde yeni bir yakıtla doldurun.
	Yakıt tankı kapağı tıkanmıştır.	Yakıt tankı kapağını temizleyin.
	Yakıt sisteminde su veya kir vardır.	Yakıt tankını boşaltın. Yakıt tankını doğru türde yeni bir yakıtla doldurun.
	Hava filtresi kirlidir.	Hava filtresini temizleyin.
	Karbüratörün ayarlanması gerekir.	Servis bayisinde karbüratörü ayarlatın.
Motor çok ısınıyor.	Motor yağ seviyesi çok düşüktür.	Motor yağını doldurun.
	Hava akışı yeterli değil.	Hava filtresini ve hava filtresi yuvasını temizleyin.
	Karbüratörün ayarlanması gerekir.	Servis bayisinde karbüratörü ayarlatın.
Yüksek hızda çalışırken motordaki tekleme var.	Bujideki elektrot boşluğu çok küçüktür.	Elektrot boşluğunu ayarlayın.
Normal yük sırasında motordan olağan dışı sesler geliyor.	Yanlış benzin tipi.	Yakıt tankını ve karbüratörü boşaltın. Yeni benzin doldurun. Bkz. <i>Yakıt doldurma sayfası: 395</i> . Sorun devam ederse yerel servis bayinize başvurun.
Motor, rölantide düzgün çalışmıyor.	Buji kirlidir, arızalıdır veya elektrot boşluğu çok geniştir.	Elektrot boşluğunu ayarlayın veya bujiyi değiştirin.
	Karbüratörün ayarlanması gerekir.	Karbüratörü ayarlayın.
	Hava filtresi kirlidir.	Hava filtresini temizleyin.

Taşıma ve saklama

- Ürün ile yakıtı taşımak ve saklamak için sızıntı veya duman olmadığından emin olun. Örneğin, elektrikli cihazlardan veya kazanlardan kaynaklanan kıvılcım veya açık alevler yangın çıkarabilir.
- Yakıtı taşımak ve saklamak için her zaman onaylı kaplar kullanın.
- Ürünü uzun bir süre için saklama yerine koymadan önce yakıt tankını boşaltın. Yakıtı uygun bir çöp atma merkezinde bertaraf edin
- Hasar veya kaza olmasını önlemek için taşıma sırasında ürünü güvenli bir şekilde bağlayın.
- Çocukların veya yetkili olmayan kişilerin erişmesini önlemek için ürünü kilitli bir alanda tutun.
- Ürünü kuru ve donmayan bir yerde tutun.

Atma

- Yerel geri dönüşüm gerekliliklerine ve geçerli düzenlemelere uyun.
- Motor yağı veya yakıt gibi kimyasalları servis merkezinde veya uygun bir atık noktasında atın.
- Ürün artık kullanılmıyorsa ürünü Husqvarna bayisine gönderin veya geri dönüşüm noktasında atın.

Teknik veriler

Teknik veriler

	LC 151	LC 151S	LB 251S	LB 256SP
Motor				
Marka	Husqvarna	Husqvarna	Husqvarna	Husqvarna
Motor tipi	Tek silindirli, 4 Zamanlı, Basıncılı Havayla Soğutma, OHV	Tek silindirli, 4 Zamanlı, Basıncılı Havayla Soğutma, OHV	Tek silindirli, 4 Zamanlı, Basıncılı Havayla Soğutma, OHV	Tek silindirli, 4 Zamanlı, Basıncılı Havayla Soğutma, OHV
Hacim, cm ³	166	166	166	166
Hız, rpm	2800	2800	2800	2800
Nominal motor çıkışı gücü, kW ¹⁸⁵	2.7	2.7	2.7	2.7
Ateşleme sistemi				
Buji	Husqvarna HQT-7	Husqvarna HQT-7	Husqvarna HQT-7	Husqvarna HQT-7
Elektrot boşluğu, mm	0,7-0,8	0,7-0,8	0,7-0,8	0,7-0,8
Yakıt ve yağlama sistemi				
Motor yağlama türü	Sıçrama	Sıçrama	Sıçrama	Sıçrama
Yakıt tankı kapasitesi, litre	1,0	1,0	1,0	1,0
Yağ tankı kapasitesi, litre	0,5	0,5	0,5	0,5
Motor yağı ¹⁸⁶	Husqvarna SAE 30	Husqvarna SAE 30	Husqvarna SAE 30	HusqvarnaSAE 30
Ağırlık				
Boş tanklarla birlikte, kg	31,1	32,6	32,0	33,1
Gürültü yayma¹⁸⁷				
Ses gücü düzeyi, ölçülen, dB(A)	96	96	95	97
Ses gücü seviyesi, garantili, L _{WA} dB(A)	98	98	96	98
Ses seviyeleri¹⁸⁸				
Operatörün kulağındaki ses basıncı düzeyi, dB (A)	86	86	82	86

¹⁸⁵ Motor için gösterilen güç derecesi SAE J1349/ISO1585 standardına göre ölçülen motor modeli için tipik bir üretim motorunun (belirlenmiş dev/dk'da) ortalama net güç çıkışıdır. Seri üretim motorları bu değerden farklı olabilir. Ürünün son haline takılan motorun gerçek güç çıkışı çalışma hızına, çevre koşullarına ve diğer değerlere bağlıdır.

¹⁸⁶ SAE-30 yağ, 5°C'nin altındaki sıcaklıklarda kullanılırsa motoru yeterince yağlamama riski vardır. Bu, motora zarar verebilir. Düşük sıcaklıklara yönelik doğru yağ için bkz. *Motor yağının değiştirilmesi sayfa: 398*.

¹⁸⁷ 2000/14/AT sayılı AT direktifi uyarınca ses gücü (L_{WA}) olarak çevrede ölçülen gürültü yayma seviyesi.

¹⁸⁸ Ses basıncı düzeyi için bildirilen verilerdeki tipik istatistik dağılım (standart sapma) 1,2 dB (A) şeklindedir.

	LC 151	LC 151S	LB 251S	LB 256SP
Titreşim seviyeleri¹⁸⁹				
Gidondaki titreşim, m/sn ²	8,5	8,5	4,7	7,5
Kesme donanımı				
Kesme yüksekliği, mm	25-75	25-75	25-75	25-75
Kesme genişliği, mm	510	510	510	560
Kesim sistemi	Toplama / Bio-Clip® / Yandan boşaltma	Toplama / Bio-Clip® / Yandan boşaltma	BioClip® / Yandan boşaltma	BioClip® / Yandan boşaltma
Bıçak - standart	Toplama 598562601	Toplama 598562601	Malç 597683901	Malç 598563601
Bıçak - Aksesuar	Malç 597683901	Malç 597683901	–	–
Çim ayırıcı kapasitesi, litre	65	65	–	–
Tahrik				
Kendi kendine yürüme hızı, km/sa.	–	3,6	4,0	3,6

¹⁸⁹ Titreşim düzeyi için bildirilen verilerin tipik istatistik dağılımı (standart sapması) 0,2 m/sn² şeklindedir.

AT Uyumluluk Bildirimi

AT Uyumluluk Bildirimi

Husqvarna AB, SE-561 82 Huskvarna, İsveç, tel.:
+46-36-146500, 2020 ve sonrası seri numaralı

Husqvarna LC 151, LC 151S, LB 251S, LB 256SP
model çim biçme makinelerinin KONSEY DİREKTİFİ
gereksinimleriyle uyumlu olduğunu beyan eder:

- 8 Haziran 2011 tarihli ve **2011/65/AB** sayılı "belirli tehlikeli maddelerin kısıtlanmasına" ilişkin direktif
- 17 Mayıs 2006 tarihli ve **2006/42/AT** sayılı "makinelere ilgili" direktif
- 26 Şubat 2014 tarihli ve **2014/30/AB** sayılı "elektromanyetik uyumlulukla ilgili" direktif
- 8 Mayıs 2000 tarihli ve **2000/14/AT** sayılı "çevredeki gürültü emisyonları ile ilgili" direktif

Gürültü emisyonlarıyla ilgili bilgi için Teknik veriler bölümüne bakın.

Aşağıdaki standartlar uygulanmıştır:

EN ISO 5395-1:2013, EN ISO 5395-1:2013/A1, EN ISO 5395-2:2013, EN ISO 5395-2:2013/A1:2016, EN ISO 5395-2:2013/A2:2017, EN ISO 14982:2009

Başka şekilde belirtilmemişse yukarıda listelenen standartlar en son yayınlanan sürümlerdir.

Onaylanmış kuruluş (LC 151, LC 151S, LB 256SP):
0036, TÜV SÜD Industrie Service GmbH,
Westendstrasse 199, 80686 München, Germany
2000/14/AT direktifindeki Ek VI'ya göre uyumluluk değerlendirmesi gerçekleştirmiştir.

Onaylanmış kuruluş (LB 251S): **0404, RISE SMP**
Svensk Maskinprovning AB, Box 7035, SE-750 07
Uppsala, Sweden 2000/14/AT direktifindeki Ek VI'ya göre uyumluluk değerlendirmesi gerçekleştirmiştir.

Huskvarna, 2020-10-20



Claes Losdal, Geliştirme Müdürü/Bahçe Ürünleri
(Husqvarna AB yetkili temsilcisi ve teknik dokümantasyon sorumlusu)

Türk ithalat şirketi daha fazla bilgi için temas edilecek:
Çullas Orman Bahçe ve Tarım Mak. San. Tic. A.Ş.
Suadiye Mh. Bağdat Cd. No:455/4
Kadıköy – 34740 İstanbul / Türkiye
Telefon: +90 216 519 88 82
Faks: +90 216 519 88 78
info@cullas.com.tr



Зміст

Вступ.....	405	Усунення несправностей двигуна.....	415
Безпека.....	406	Транспортування, зберігання й утилізація.....	416
Збирання.....	409	Технічні дані.....	418
Експлуатація.....	410	Декларація відповідності ЄС.....	420
ТЕХНІЧНЕ ОБСЛУГОВУВАННЯ.....	412		

Вступ

Опис виробу

Цей виріб – обертальна газонокосарка, керована пішим оператором. Для моделей LC 151, LC 151S: під'єднайте травозбірник, щоб збирати траву. Під'єднайте викидний дефлектор для викидання трави вбік. Для моделей LC 151, LC 151S: під'єднайте комплект для мульчування, щоб перетворити траву на добриво.

Призначення

Користуйтеся виробом для зрізання трави. Забороняється використовувати виріб для інших завдань.

Огляд виробу

(Мал. 1)

1. Рукоятка
2. Ручка зупинення двигуна
3. Привідна скоба (LC 151S, LB 256SP)
4. Важіль приводу (LB 251S)
5. Задня кришка (LC 151, LC 151S)
6. Травозбірник (LC 151, LC 151S)
7. Головки регулювання висоти ручки
8. Важіль регулювання висоти різання
9. Кришка бака для оливи й вимірювальний стрижень
10. Кришка бічного викиду
11. Глушник
12. Свічка запалення
13. Карбюратор
14. Кришка паливного бака
15. Позначення
16. Кожух леза
17. Повітряний фільтр
18. Дефлектор для викидання трави вбік
19. Комплект для мульчування (насадка для LC 151, LC 151S)
20. Ручка стартера
21. Посібник користувача

(Мал. 3) Перед початком використання виробу уважно прочитайте посібник користувача й переконайтеся, що зрозуміли всі вказівки.

(Мал. 4) Остерігайтеся рикошету й об'єктів, які можуть вилітати з-під виробу.

(Мал. 5) Сторонні особи та тварини повинні перебувати на безпечній відстані від робочої зони.

(Мал. 6) Увага! Тримайте руки та ноги на відстані від леза, що обертається.

(Мал. 7) Увага! Тримайте руки та ноги на відстані від деталей, що обертаються.

(Мал. 8) Перед проведенням ремонтних робіт або обслуговування необхідно зупинити двигун та витягнути провід запалювання.

(Мал. 9) Цей виріб відповідає вимогам ЄС.

(Мал. 10) Рівень випромінювання шуму в середовище відповідає директиві Європейської Спільноти. Рівень випромінювання шуму виробу вказано в розділі «Технічні дані» і на паспортній таблиці.

(Мал. 11) Небезпека загоряння.

(Мал. 12) Не вдихайте вихлопні дими. Вихлопні гази з двигуна містять монооксид вуглецю, отруйний та дуже небезпечний газ без

Символи на виробі

(Мал. 2) **ПОПЕРЕДЖЕННЯ!** Будьте обережні й використовуйте виріб правильно. Цей виріб може призвести до отримання серйозних травм або смерті оператора чи сторонніх осіб.

запаху. Забороняється заводити виріб у приміщенні чи в замкненому просторі.

(Мал. 13) Гаряча поверхня.

(Мал. 14) Перш ніж запускати виріб, залийте оливу у двигун.

Зверніть увагу: Інші позначення/бирки на виробі стосуються сертифікаційних вимог для певних торгових зон.

Відповідальність за якість продукції

Згідно із законом про відповідальність за якість продукції ми не несемо відповідальності за будь-які пошкодження, спричинені роботою наших виробів, якщо:

- виріб було неправильно відремонтовано;
- виріб було відремонтовано із використанням деталей, виготовлених не виробником або не затверджених ним;
- виріб обладнано аксесуаром, виготовленим не виробником або не затвердженим ним;
- виріб було відремонтовано в неавторизованому сервісному центрі або неавторизованою компанією;

Відповідає вимогам європейського екологічного стандарту Євро-5



ПОПЕРЕДЖЕННЯ: Внесення змін у двигун позбавляє чинності сертифікацію ЄС для цього виробу.

Безпека

Визначення щодо безпеки

Попередження, застереження й примітки служать для наголошення на особливо важливих положеннях посібника.



ПОПЕРЕДЖЕННЯ: Вказує на те, що в разі порушення інструкцій, наведених у цьому посібнику, існує небезпека поранення або смерті оператора чи інших осіб, що знаходяться поруч.



УВАГА: Вказує на те, що в разі порушення інструкцій, наведених у цьому посібнику, існує небезпека пошкодження виробу, інших матеріалів або навколишніх об'єктів.

Зверніть увагу: Використовується для надання додаткової інформації щодо певної ситуації.

Загальні правила техніки безпеки



ПОПЕРЕДЖЕННЯ: Перш ніж розпочати використання виробу, уважно прочитайте наведені нижче попередження.

- Цей виріб може бути небезпечним у разі неправильного або недбалого використання. Порушення правил техніки безпеки може призвести до травм або смерті.
- Під час роботи цього виробу утворюється електромагнітне поле. Це поле може за деяких умов взаємодіяти з активними чи пасивними медичними імплантатами. Щоб зменшити ризик тяжких або смертельних травм, рекомендуємо особам із медичними імплантатами проконсультуватися зі своїм лікарем і виробником
- медичного імплантату перед початком експлуатації цього виробу.
- Завжди будьте обережні та керуйтеся здоровим глуздом. Якщо ви маєте сумніви щодо того, як користуватися виробом у конкретній ситуації, припиніть роботу та проконсультуйтеся з дилером Husqvarna.
- Пам'ятайте, що оператор несе відповідальність за нещасні випадки, в результаті яких постраждали інші особи або їхнє майно.
- Підтримуйте виріб чистим. Переконайтеся, що знаки та наклейки знаходяться в читабельному стані.
- Не дозволяйте використовувати виріб стороннім людям доки не переконаєтеся, що вони прочитали та зрозуміли весь зміст посібника користувача.
- Не давайте використовувати прилад дітям.
- Не підпускайте до робочої зони дітей. Біля виробу, що працює, має завжди перебувати відповідальна доросла особа.
- Не давайте використовувати прилад особам, що не ознайомилися з інструкціями.
- Завжди наглядуйте за особами з обмеженими фізичними чи розумовими можливостями, що використовують виріб. Біля виробу, що працює, повинна завжди знаходитися відповідальна доросла особа.
- Забороняється використовувати виріб, якщо ви втомлені, хворі, чи перебуваєте під впливом наркотиків, алкоголю або медикаментів. Ці фактори мають негативний вплив на ваш зір, зосередженість, свідомість та координацію рухів.
- Забороняється використовувати виріб у разі його несправності.
- Забороняється зміни в конструкцію виробу чи використовувати виріб, якщо є підозра, що його було змінено сторонніми особами.

- Не змінюйте налаштування керування частотою обертання двигуна.

Безпека в робочій зоні



ПОПЕРЕДЖЕННЯ: Перш ніж розпочати використання виробу, уважно прочитайте наведені нижче попередження.

- Перед використанням виробу приберіть з робочої зони всі гілки, лозу та каміння.
- Предмети, що потраплять на різальне обладнання, можуть відлетіти та поранити сторонніх осіб або пошкодити інші предмети. Сторонні особи та тварини повинні знаходитися на безпечній відстані від виробу.
- Забороняється використовувати виріб за поганої погоди на кшталт туману, дощу, сильного вітру, значного холоду або грози. Робота в погану погоду або на вологих ділянках виснажує. Погана погода може стати причиною небезпечних умов роботи, таких як слизькі поверхні.
- Бережіться осіб, предметів та ситуацій, які можуть зашкодити безпечній роботі виробу.
- Бережіться перешкод на кшталт коріння, каміння, гілок, ям або канав. Висока трава може приховувати перешкоди.
- Скошування трави на схилах може бути небезпечним. Не використовуйте виріб на ділянках із нахилом понад 15°.
- Використовуйте виріб на схилах у горизонтальному напрямку. Не рухайтесь вгору і вниз.
- Будьте обережні, наближаючись до прихованих кутів та предметів, які можуть закривати поле зору.

Техніка безпеки



ПОПЕРЕДЖЕННЯ: Перш ніж розпочати використання виробу, уважно прочитайте наведені нижче попередження.

- Використовуйте виріб лише для скошування трав'яних газонів. Заборонено використовувати виріб для інших цілей.
- Використовуйте засоби індивідуального захисту. Див. *Засоби індивідуального захисту на сторінці 407.*
- Дізнайтеся, як швидко зупинити двигун в екстреній ситуації.
- Забороняється запускати двигун у закритому приміщенні або поблизу легкозаймистих матеріалів. Вихлопні дими мають високу температуру й можуть містити іскри, що можуть призвести до пожежі.
- Забороняється використовувати виріб без правильно встановленого леза та всіх кожухів. Неправильно встановлене лезо може від'єднатися й призвести до травм.

- Слідкуйте, щоб лезо не зачіпляло сторонні предмети на кшталт каміння та коріння. Це може призвести до пошкодження леза та згинання вала двигуна. Зігнута вісь викликає значні вібрації та призводить до ризику від'єднання леза від виробу.
- У разі удару леза об будь-який сторонній предмет чи появи вібрації негайно зупиніть виріб. Від'єднайте провід запалювання від свічки запалювання. Перевіряйте виріб на наявність пошкоджень. Виправляйте пошкодження або здавайте виріб на ремонт в авторизований центр обслуговування.
- Забороняється закріплювати ручку зупинення двигуна на рукоятці, коли працює двигун.
- Поставте виріб на тверду рівну поверхню та ввімкніть його. При цьому лезо не повинно торкатися землі або інших предметів.
- Під час роботи з виробом завжди залишайтеся позаду нього.
- Під час роботи з виробом усі колеса мають залишатися на землі, а обидві руки треба тримати на ручці. Тримайте руки та ноги на відстані від лез, що обертаються.
- Не нахиляйте виріб, коли двигун увімкнений.
- Будьте обережні під час руху у зворотному напрямку.
- Забороняється піднімати виріб коли двигун увімкнений. Якщо виріб треба підняти, спочатку вимкніть двигун та від'єднайте провід запалювання від свічки запалювання.
- Не рухайтесь у зворотному напрямку під час роботи з виробом.
- Вимикайте двигун під час руху через ділянки без трави на кшталт доріжок із гравію, каменю або асфальту.
- Не бігайте з виробом, коли двигун увімкнений. Під час роботи з виробом необхідно ходити зі звичайною швидкістю.
- Вимикайте двигун, перш ніж змінювати висоту різання. Забороняється виконувати регулювання при увімкненому двигуні.
- Забороняється залишати виріб без нагляду коли двигун працює. Зупиніть двигун та переконайтеся, що ріжуче обладнання не обертається.

Правила техніки безпеки під час використання

Засоби індивідуального захисту



ПОПЕРЕДЖЕННЯ: Перш ніж розпочати використання виробу, уважно прочитайте наведені нижче попередження.

- Особисте захисне спорядження не може повністю усунути небезпеку травмування, але при нещасному випадку воно знизить ступінь важкості

травми. Дозвольте дилеру допомогти вам із вибором підходящого обладнання.

- Використовуйте засоби захисту органів слуху, якщо рівень шуму перевищує 85 дБ.
- Використовуйте взуття із захистом від ковзання для роботи у важких умовах. Забороняється використовувати відкрите взуття або працювати взагалі без нього.
- Використовуйте цупкі довгі штани.
- За потреби використовуйте рукавички, наприклад, якщо необхідно приєднати, оглянути або почистити різальне обладнання.

Механізми безпеки на пристрої



ПОПЕРЕДЖЕННЯ: Перш ніж розпочати використання виробу, уважно прочитайте наведені нижче попередження.

- Не використовуйте виріб із пошкодженими захисними пристроями.
- Регулярно перевіряйте захисні пристрої. У випадку пошкодження захисних пристроїв зверніться до центру обслуговування Husqvarna.

Перевірка кожуха леза

Кожух леза частково поглинає вібрацію виробу та знижує небезпеку травмування лезом.

- Огляньте кожух леза та переконайтеся, що він не має пошкоджень на кшталт тріщин.

Перевірка ручки зупинення двигуна

Ручка зупинення двигуна зупиняє двигун. За відпускання ручки зупинення двигуна він зупиняється.

- Запустіть двигун, а потім відпустіть ручку зупинення двигуна. Якщо двигун не зупиняється протягом 3 секунд, необхідно передати виріб в авторизований центр обслуговування Husqvarna для налаштування гальма двигуна. (Мал. 15)

Перевірка задньої кришки

Задній дефлектор знижує ризик потрапляння в оператора предметів, що відкидаються від виробу.

- Перевірте, чи не пошкоджено задню кришку.
- Переконайтеся, що пружини, які закривають задню кришку, не пошкоджені.
- Пошкоджені пружини або деталі необхідно замінити.
- Переконайтеся, що задня кришка плавно рухається на петлях.

Глушник

Глушник зменшує рівень шуму та відводить вихлопні гази подалі від оператора.

Не використовуйте виріб із пошкодженим глушником або взагалі без глушника. В разі пошкодження глушника збільшується рівень шуму та підвищується небезпека загоряння.



ПОПЕРЕДЖЕННЯ: Під час роботи виробу та відразу після роботи, а також під час роботи двигуна на холодних обертах глушник сильно нагрівається. Зважайте на легкозаймисті матеріали та/або випари, щоб не допустити пожежі.

Перевірка глушника

- Регулярно оглядайте глушник, стежте, щоб він був правильно під'єднаний та справний.

Заходи безпеки під час роботи з паливом



ПОПЕРЕДЖЕННЯ: Перш ніж розпочати використання виробу, уважно прочитайте наведені нижче попередження.

- Не запускайте виріб, якщо на ньому залишилося пальне або моторна олива. Приберіть непотрібне пальне/оливу та дайте виробу просохнути.
- Якщо ви пролили пальне на свій одяг, негайно переодягніться.
- Не допускайте потрапляння пального на тіло, адже це може призвести до травм. Для видалення пального, що потрапило на тіло, використовуйте мило та воду.
- Не запускайте виріб у разі наявності протікання у двигуні. Регулярно перевіряйте двигун на протікання.
- Будьте обережні при поводженні з паливом. Пальне є легкозаймистою речовиною, а його пари вибухонебезпечні та можуть призвести до травм або смерті.
- Не вдихайте вихлопні гази, це може призвести до травм. Забезпечте належне провітрювання.
- Не паліть біля пального або двигуна.
- Не кладіть біля пального або двигуна теплі предмети.
- Не доливайте пальне в працюючий виріб.
- Перед заправленням переконайтеся, що двигун охолонув.
- Перед заправленням повільно відкрийте кришку паливного бака, обережно зменшивши тиск.
- Не заправляйте виріб у приміщенні. Недостатнє провітрювання може призвести до травм або смерті внаслідок задухи чи отруєння монооксидом вуглецю.
- Затягуйте кришку паливного бака повністю. Якщо кришку паливного бака не затягнуто, існує ризик виникнення пожежі.
- Перед запуском пересуньте виріб щонайменше на 3 м від місця, де ви заправляли його.
- Не заповнюйте паливний бак повністю. Під впливом високої температури паливо

розширюється. Залиште трохи вільного місця вгорі бака.

Правила техніки безпеки під час обслуговування



ПОПЕРЕДЖЕННЯ: Перш ніж розпочати використання виробу, уважно прочитайте наведені нижче попередження.

- Вихлопні гази з двигуна містять монооксид вуглецю, отруйний та дуже небезпечний газ без запаху. Забороняється заводити виріб у приміщенні чи в замкнутому просторі.
- Перед тим, як почати технічне обслуговування виробу, вимкніть двигун та від'єднайте провід запалювання від свічки запалювання.
- Під час технічного обслуговування різального обладнання використовуйте захисні рукавиці. Лезо дуже гостре, ним можна легко порізатися.

- Встановлення аксесуарів, виготовлених не виробником, або внесення змін, не затверджених ним, може призвести до серйозної травми чи смерті. Вносити зміни в виріб забороняється. Використовуйте лише сертифіковані виробником аксесуари.
- Якщо не проводити правильне та регулярне технічне обслуговування, виникає небезпека травм та пошкодження виробу.
- Виконуйте технічне обслуговування лише так, як це наведено в цьому посібнику користувача. Будь-які інші види обслуговування повинні проводитися в авторизованому центрі обслуговування Husqvarna.
- Регулярне обслуговування виробу може проводити авторизований центр обслуговування Husqvarna.
- Замінійте пошкоджені, зношені або зламані деталі.

Збирання

Вступ



ПОПЕРЕДЖЕННЯ: Перед монтажем виробу обов'язково прочитайте й усвідомте зміст розділу про заходи безпеки.



ПОПЕРЕДЖЕННЯ: Перед збиранням виробу необхідно від'єднати кабель від свічки запалювання.

Монтаж ручки

1. Вставте гвинт (А) таким чином, щоб він пройшов крізь ручку (В), пластикову шайбу (С) й кріпильну скобу ручки (D). (Мал. 16)
2. Повністю затягніть гайку (Е).
3. Вставте гвинт (F) крізь шайбу (G) й кріпильну скобу ручки. (Мал. 17)
4. Повністю затягніть фіксуючу голівку (H).

Регулювання ручки

1. Відпустіть нижні фіксувальні голівки.
2. Пересуньте голівки у нижню частину прорізів зліва та справа виробу. (Мал. 18)
3. Встановіть висоту ручки в одне з двох доступних положень.
4. Пересуньте голівки вгору в напрямку ручки, доки вони не зупиняться та ви не почуєте клацання. (Мал. 19)

5. Надійно затягніть фіксуючі голівки.

Встановлення виробу в положення для транспортування

1. Відпустіть нижні фіксувальні голівки.
2. Пересуньте голівки у нижню частину прорізів зліва та справа виробу. (Мал. 18)
3. Складіть ручку вперед. (Мал. 20)

Встановлення виробу в положення для експлуатації

1. Розкладіть ручку у вертикальне положення. (Мал. 21)
2. Пересуньте голівки вгору в напрямку ручки, доки вони не зупиняться та ви не почуєте клацання. (Мал. 19)
3. Надійно затягніть фіксуючі голівки.

Монтаж травозбірника (LC 151, LC 151S)

1. Встановіть рамку травозбірника на мішок для трави. Твердий бік мішка має бути низу. Ручка рамки має перебувати поза межами мішка. (Мал. 22)
2. Установіть травозбірник на рамці та зафіксуйте затискачами. (Мал. 23)

Експлуатація

Вступ



ПОПЕРЕДЖЕННЯ: Перед експлуатацією виробу обов'язково прочитайте й усвідомте зміст розділу про заходи безпеки.

Husqvarna Connect

Husqvarna Connect є безкоштовною програмою для мобільного пристрою. У програмі Husqvarna Connect доступна ціла низка розширених функцій для користування Husqvarna:

- розширена інформація про виріб;
- відомості про деталі й обслуговування виробу, а також довідкова інформація.

Щоб почати користуватися Husqvarna Connect

1. Завантажте програму Husqvarna Connect на свій мобільний пристрій.
2. Зареєструйтеся в програмі Husqvarna Connect.
3. Виконайте кроки з реєстрації в програмі Husqvarna Connect, щоб під'єднати та зареєструвати виріб.

Перед початком роботи з виробом

1. Уважно прочитайте посібник користувача та переконайтеся, що ви зрозуміли всі вказівки.
2. Огляньте різальне обладнання та переконайтеся, що воно правильно встановлено та налаштовано. Див. *Перевірка різального обладнання на сторінці 413.*
3. Наповніть паливний бак. Див. *Заправлення паливом на сторінці 410.*
4. Наповніть паливний бак та перевірте рівень оливи. Див. *Перевірка рівня оливи на сторінці 413.*

Заправлення паливом

Якщо є можливість, використовуйте бензин з низьким рівнем викидів/бензин-алкїлат. Якщо можливості використовувати бензин з низьким рівнем викидів/бензин-алкїлат немає, використовуйте якісний неетилований бензин або етилований бензин із октановим числом не менше 90.



УВАГА: Не використовуйте бензин із октановим числом нижче 90 RON (87 AKI). Це може призвести до пошкодження виробу.

1. Повільно відкрутіть кришку паливного бака, щоб вивільнити тиск.

2. Повільно влийте пальне з канистри. У разі проливання пального витріть його ганчіркою або дайте йому висохнути. (Мал. 24)
3. Витріть поверхню біля кришки паливного бака.
4. Затягуйте кришку паливного бака повністю. Якщо кришку паливного бака не затягнуто, існує ризик виникнення пожежі.
5. Перед запуском пересуньте виріб на 3 м від місця, де ви заправляли його.

Налаштування висоти різання

1. Для збільшення висоти різання потягніть важіль регулювання висоти різання назад.
2. Для зменшення висоти різання потягніть важіль регулювання висоти різання вперед. (Мал. 25)



УВАГА: Не встановлюйте занадто низьку висоту різання. Леза можуть зачепити землю, якщо поверхня газону буде нерівною.

Запуск виробу

1. Переконайтеся, що дрїт запалювання під'єднаний до свічки запалювання.
2. Залишайтеся позаду виробу.
3. Утримуйте ручку зупинення двигуна біля рукоятки. (Мал. 26)
4. Утримуйте ручку троса стартера правою рукою.
5. Повільно потягніть ручку троса стартера доки не відчуєте деякий спротив.
6. Потягніть шнур сильно, щоб запустити двигун.



ПОПЕРЕДЖЕННЯ: Не намотуйте трос стартера на руку.

Підключення приводу до коліс LC 151S & LB 256SP

- Штовхніть привідну скобу в напрямку рукоятки. (Мал. 27)
- У разі наближенні до перешкоди відпустіть привідну скобу, щоб розчепити привід.
- Перш ніж рухати виріб у зворотному напрямку, розчепіть привід і штовхніть виріб уперед приблизно на 10 см.

Підключення приводу до коліс (LB 251S)

- Потягніть важіль приводу в напрямку рукоятки. (Мал. 28)

- Установіть важіль привода в положення, протилежне рукоятці, щоб вимкнути привод у разі наближення до перешкоди тощо.

Зверніть увагу: Важіль приводу автоматично переходить у положення вимкнення в разі відпускання ручки зупинення двигуна.

- Перш ніж рухати виріб у зворотному напрямку, установіть важіль привода в положення, протилежне рукоятці, і посуňte виріб уперед приблизно на 10 см, щоб повністю вимкнути привод.

Вимкнення виробу

- Щоб зупинити тільки привод, відпустіть приводну скобу (LC 151S, LB 256SP) або важіль привода (LB 251S).
- Щоб зупинити двигун, необхідно відпустити ручку зупинення двигуна.

Використання виробу з травозбірником (LC 151, LC 151S)



ПОПЕРЕДЖЕННЯ: Не використовуйте виріб без встановленого травозбірника або без закритої задньої кришки. З-під косарки можуть відлітати різноманітні предмети й травмувати оператора.

1. Підніміть задню кришку й видаліть заглушку для мульчування, якщо її встановлено. (Мал. 29)
2. Установіть травозбірник, див. *Монтаж травозбірника (LC 151, LC 151S) на сторінці 409.*
3. Установіть травозбірник на кріпильну скобу.
4. Відпустіть задню кришку, щоб вона опинилася зверху рамки мішка для трави. (Мал. 30)

Переналаштування виробу в режим мульчування (LC 151, LC 151S)

Перш ніж перевести виріб у режим мульчування, зупиніть двигун.

1. Підніміть задню кришку й видаліть травозбірник, якщо його встановлено.
2. Вставте заглушку для мульчування в канал викидання. (Мал. 31)
3. Закрийте задню кришку й переконайтеся, що вона щільно закриває заглушку для мульчування.
4. Замініть стандартне лезо на лезо для мульчування, що постачається в комплекті

приладдя для мульчування. Див. *Заміна ножа на сторінці 413.*

Переналаштування виробу в режим бічного викидання

1. Підніміть задню кришку й витягніть мішок для трави, якщо його встановлено.
2. Закрийте задню кришку та переконайтеся, що вона щільно закриває виріб.
3. Підніміть фіксатор викиду. (Мал. 32)
4. Відкрийте бокову кришку й установіть викидний дефлектор на опорні штифти. (Мал. 33)
5. Дайте боковій кришці зафіксуватися навпроти викидного дефлектора. Перед початком експлуатації виробу переконайтеся, що викидний дефлектор для викидання трави вбік надійно зафіксовано на місці.

Спорожнення травозбірника



УВАГА: Піднімайте травозбірник під час його переміщення для запобігання зносу.

1. Підніміть травозбірник за ручки на рамі.
2. Під час спорожнення травозбірника тримайтеся за ручки на рамі та ручки мішка. (Мал. 34)

Забезпечення ефективної роботи

- Завжди користуйтеся гострим лезом. Тупе лезо ріже нерівно, а трава на поверхні розрізу жовтіє. Крім того, гостре лезо споживає менше енергії за тупе.
- Не скошуйте більше 1/3 довжини трави. На початку зрізання трави встановіть найбільшу висоту зрізання. Оцініть результат і зменште висоту зрізання на потрібну вам. Якщо трава дуже довга, ведіть газонокосарку повільно та в разі необхідності виконайте скошування двічі.
- Косіть щоразу в різних напрямках, щоб на газоні не було смуг.
- Підніміть задню кришку й вийміть травозбірник.
- Зніміть заглушку та лезо для мульчування, якщо вони встановлені.
- Перед використанням виробу закрийте задню кришку. Під час експлуатації виробу зрізана трава викидається під задньою кришкою.

ТЕХНІЧНЕ ОБСЛУГОВУВАННЯ

Вступ



ПОПЕРЕДЖЕННЯ: Перед виконанням робіт із технічного обслуговування обов'язково прочитайте й усвідомте зміст розділу про заходи безпеки.

Для всіх робіт з обслуговування та ремонту необхідна спеціальна підготовка. Ми гарантуємо доступність послуг із професійного ремонту та обслуговування. Якщо ваш дилер не є одночасно центром обслуговування, зверніться до нього по інформацію щодо найближчого центру обслуговування.

Графік технічного обслуговування



УВАГА: У разі нахилання виробу переконайтеся, що повітряний фільтр розташований зверху й не направлений у бік землі. Ризик пошкодження двигуна.

Інтервали технічного обслуговування вказані з урахуванням щоденного використання виробу. Інтервали змінюються для іншої частоти використання виробу.

Вказівки щодо технічного обслуговування елементів, помічених знаком * див. у розділі *Механізми безпеки на пристрої на сторінці 408.*

Технічне обслуговування	Щодня	Щомісяця	Щокварталь но
Загальна перевірка	X		
Перевірка рівня оливи	X		
Заміна мастила (уперше через 5 годин експлуатації, далі – кожні 50 годин експлуатації) ¹⁹⁰			X
Очищення виробу	X		
Перевірка різального обладнання	X		
Перевірка кожуха леза*	X		
Перевірка ручки зупинення двигуна*	X		
Перевірка глушника*		X	
Перевірка свічки запалювання. У разі необхідності почистьте чи замініть свічку запалювання.			X
Перевірка повітряного фільтра	X		
Почистьте повітряний фільтр ¹⁹¹		X	
Замініть повітряний фільтр			X
Перевірка паливної системи			X
Почистьте ребра охолодження на циліндрі.		X	
Огляньте й відрегулюйте зчпний дрiт (LC 151S, LB 251S, LB 256SP).			X
Почистьте під кришкою коробки передач (LB 251S)			X

¹⁹⁰ Якщо вирiб працює за значного навантаження чи за високої температури навколишнього середовища, замінійте моторну оливу кожні 25 годин.

¹⁹¹ У разі експлуатації в умовах запиленості чи за наявності викидів у повітрі виконуйте чищення частіше. Якщо повітряний фільтр дуже брудний, замініть його.

Процедура загальної перевірки

- Переконайтеся, що всі гайки й гвинти на виробі затягнуто відповідним чином.

Чищення зовнішніх поверхонь виробу

- Прибирайте листя, траву та бруд за допомогою щітки.
- Переконайтеся, що всмоктувач повітря зверху двигуна не заблокований.
- Для чищення виробу не використовуйте миючий апарат високого тиску.
- У разі використання води для чищення виробу, забороняється лити її безпосередньо на двигун.

Чищення внутрішніх поверхонь кожуха леза

1. Вилийте паливо з паливного бака.
2. Нахиліть виріб. Упевніться, що свічка запалювання спрямована вгору.



УВАГА: Якщо покласти виріб повітряним фільтром донизу, може виникнути ризик пошкодження двигуна.

3. Промийте водою зі шлангу внутрішню поверхню кожуха леза.

Чищення під кришкою коробки передач (LB 251S)

1. Вилийте паливо з паливного бака.
2. Нахиліть виріб. Упевніться, що свічка запалювання спрямована вгору.



УВАГА: Якщо покласти виріб повітряним фільтром донизу, може виникнути ризик пошкодження двигуна.

3. Відкрутіть 7 гвинти. (Мал. 35)
4. Зніміть кришку коробки передач.
5. Почистьте поверхню щіткою.



УВАГА: Потрапання води чи сміття під кришку коробки передач може призвести до пошкодження коробки передач.

6. Установіть кришку коробки передач і зафіксуйте її за допомогою 7 гвинтів.

Перевірка різального обладнання



ПОПЕРЕДЖЕННЯ: Зніміть провід запалювання зі свічки запалювання, щоб попередити ненавмисний запуск.



ПОПЕРЕДЖЕННЯ: Під час технічного обслуговування різального обладнання використовуйте захисні рукавиці. Лезо дуже гостре, ним можна легко порізатися.

1. Перевірте різальне обладнання на наявність пошкоджень або тріщин. Обов'язково замінійте пошкоджене різальне обладнання.
2. Огляньте лезо на предмет пошкоджень або затуплення.

Зверніть увагу: Після гостріння леза необхідно відрегулювати його баланс. Гостріння, заміну та балансування леза необхідно проводити в центрі обслуговування. У разі потраплення на перешкоду, що призвела до зупинки двигуна, замініть пошкоджене лезо. Спеціалісти центру обслуговування мають провести оцінювання стану леза та надати консультацію щодо необхідності його гостріння або заміни.

Заміна ножа

1. Зафіксуйте лезо дерев'яним брусом. (Мал. 36)
2. Вийміть болт леза.
3. Зніміть лезо.
4. Перевірте опору леза та болт на предмет пошкоджень.
5. Перевірте вал леза на предмет згинань.
6. Під час встановлення нового леза направляйте розміщені під кутом кінці в напрямку кожуха леза. (Мал. 37)
7. Переконайтеся, що лезо знаходиться на одному рівні з центром вала двигуна.
8. Зафіксуйте лезо дерев'яним брусом. Встановіть пружинну шайбу та затягніть болт і шайбу з моментом 43 – 47 Н·м. (Мал. 38)
9. Прокрутіть лезо рукою та переконайтеся, що воно вільно обертається.



ПОПЕРЕДЖЕННЯ: Використовуйте міцні робочі рукавиці. Лезо дуже гостре, ним можна легко порізатися.

10. Запустіть виріб, щоб перевірити роботу леза. У разі неправильного встановлення леза у виробі буде спостерігатися вібрація або результат скошування буде незадовільний.

Перевірка рівня оливи



УВАГА: Занадто низький рівень оливи може спричинити пошкодження двигуна. Перед запуском виробу необхідно перевіряти рівень оливи.

1. Встановіть виріб на рівній поверхні.

2. Зніміть кришку бака для оливи за допомогою під'єднаного вимірювального стрижня.
3. Усуньте оливу з вимірювального стрижня.
4. Щоб дізнатися точний рівень оливи, повністю вставте вимірювальний стрижень в бак для оливи.
5. Вийміть вимірювальний стрижень.
6. Перевірте рівень оливи на вимірювальному стрижні.
7. У разі, якщо рівень оливи низький, залийте моторну оливу та перевірте рівень ще раз.

Заміна моторної оливи



ПОПЕРЕДЖЕННЯ: Відразу після зупинки двигуна моторна олива є дуже гарячою. Дайте двигуну охолонути, перш ніж зливати моторну оливу. Якщо моторна олива потрапить на вашу шкіру, промийте цю ділянку водою з милом.

(Мал. 39)

1. Запустіть виріб та дочекайтеся, доки запаси палива буде вичерпано.
2. Витягніть провід запалювання зі свічки запалювання.
3. Зніміть кришку бака для оливи.
4. Підставте під виріб резервуар для збору моторної оливи.
5. Нахиліть виріб, щоб злити моторну оливу з бака.
6. Залийте свіжу моторну оливу рекомендованого в *Технічні дані на сторінці 418* типу.
7. Перевірте рівень оливи. Див. *Перевірка рівня оливи на сторінці 413*.

Перевірка свічки запалювання



УВАГА: Завжди користуйтеся рекомендованими свічками запалення. Неправильний тип свічки запалювання може призвести до пошкодження виробу.

- У разі, якщо двигун втрачає потужність, його важко запустити або він погано працює на холостому ходу, необхідно перевірити свічку запалювання.
- Щоб зменшити ризик потрапляння зайвих предметів на електроди свічки запалювання, дотримуйтеся таких інструкцій:
 - a) переконайтеся, що швидкість холостого ходу встановлено правильно;
 - b) переконайтеся в правильності змішування паливної суміші;
 - c) переконайтеся, що повітряний фільтр чистий.
- Якщо свічка запалювання забруднена, її слід очистити й переконатися в тому, що між

електродами встановлено правильний проміжок (див. *Технічні дані на сторінці 418*). (Мал. 40)

- За необхідності замініть свічку запалювання.

Повітряний фільтр

Брудний повітряний фільтр може призвести до пошкодження двигуна або його неправильної роботи. У разі експлуатації в умовах запиленості виконуйте обслуговування повітряного фільтра частіше. Див. *ТЕХНІЧНЕ ОБСЛУГОВУВАННЯ на сторінці 412* для отримання інформації щодо порядку заміни повітряного фільтра.

Зверніть увагу: Пошкоджений повітряний фільтр обов'язково потрібно замінювати.

Установлення й виймання повітряного фільтра



ПОПЕРЕДЖЕННЯ: Використовуйте захисні рукавички.

1. Натисніть на затискачі кришки повітряного фільтра.
2. Обережно вийміть кришку повітряного фільтра (А) з двигуна.
3. Вийміть повітряний фільтр (В). (Мал. 41)
4. Перевірте повітряний фільтр на наявність пошкоджень. Пошкоджений повітряний фільтр необхідно замінювати.
5. Почистьте й перевірте повітряний фільтр. Див. *Очищення повітряного фільтра на сторінці 414*.
6. Для встановлення виконайте вказівки вище у зворотному порядку.

Очищення повітряного фільтра

Брудний повітряний фільтр може призвести до пошкодження двигуна або його неправильної роботи. В умовах запиленості виконуйте технічне обслуговування повітряного фільтра частіше.

Інформацію щодо інтервалів заміни повітряного фільтра див. у розділі *ТЕХНІЧНЕ ОБСЛУГОВУВАННЯ на сторінці 412*.

1. Зніміть кришку повітряного фільтра та витягніть його.
2. Для очищення фільтра постукайте ним по пласкій поверхні. Не використовуйте розчинник із вмістом нафти, газу або стиснене повітря для очищення фільтра.

Зверніть увагу: Повітряні фільтри, які працюють протягом тривалого часу, неможливо очистити повністю. Регулярно замінюйте повітряний фільтр. Пошкоджені повітряні фільтри необхідно замінювати.

3. Під час устанавлення повітряного фільтра переконайтеся, що він щільно прилягає до тримача фільтра.

Перевірка викидного дефлектора для викидання трави вбік

Викидний дефлектор для викидання трави вбік прикріплено до отвору виробу для викидання вбік. Він зменшує ризик потраплення в оператора предметів, що вилітають із виробу.

1. Переконайтеся, що дефлектор для викидання трави вбік не пошкоджено.
2. Перевірте дефлектор для викидання трави вбік. Переконайтеся у відсутності дефектів, наприклад тріщин або зламаних пружин, що призводять до закривання дверей.
3. Якщо пружини або дефлектор для викидання трави вбік пошкоджено, замініть їх.

Перевірка паливної системи

- Перевірте кришку паливного бака та її ущільнювач на предмет пошкоджень.
- Перевірте шланг подачі пального на предмет протікань. У разі пошкодження шланга подачі пального замініть його в центрі обслуговування.

Регулювання дроту зчеплення (LC 151S, LB 251S, LB 256SP)

У вказаних далі ситуаціях необхідно зменшити довжину дроту зчеплення.

- Привід коліс не вмикається, коли ви тягнете привідну скобу або важіль регулятора швидкості.
- Виріб рухається повільно, коли привід коліс увімкнено.

У вказаних далі ситуаціях необхідно збільшити довжину дроту зчеплення.

- Виріб рухається повільно, коли привід коліс не увімкнено.
- Налаштування дроту зчеплення.
 - а) Щоб зменшити довжину дроту зчеплення, поверніть регулювальний гвинт проти годинникової стрілки.
 - б) Щоб збільшити довжину дроту зчеплення, поверніть регулювальний гвинт за годинниковою стрілкою. (Мал. 42)

Якщо після налаштування виріб продовжує пересуватися незадовільно, зверніться до дилера з обслуговування

Усунення несправностей двигуна

Несправність	Можлива причина	Рішення
Двигун не запускається.	Дріт запалювання під'єднано неправильно.	Під'єднайте дріт запалювання до свічки запалювання.
	Паливний бак порожній.	Залийте до паливного бака паливо належного типу.
	Паливо занадто старе.	Спорожніть паливний бак і карбюратор. Заповніть їх бензином.
	Бруд у карбюраторі або паливній лінії.	Прочистьте карбюратор і / або паливопровід.
	Несправна свічка запалювання.	Відрегулюйте проміжок між електродами, прочистьте чи замініть свічку запалювання.
Двигун не зупиняється.	Паливо на свічці запалювання.	Чищення свічки запалювання.
	Механізм зупинки зламаний.	Від'єднайте дріт запалювання від свічки запалювання. Віддайте виріб у авторизований центр обслуговування для ремонту.

Несправність	Можлива причина	Рішення
Двигун працює не плавно.	Дріт запалювання під'єднано неправильно.	Під'єднайте дріт запалювання до свічки запалювання.
	У паливопроводі накопичився бруд, або пальне зіпсувалося.	Прочистьте паливопровід. Заповніть паливний бак новим пальним належного типу.
	Кришка паливного бака забилася.	Прочистьте кришку паливного бака.
	У паливній системі перебуває вода чи бруд.	Спорожніть паливний бак. Заповніть паливний бак новим пальним належного типу.
	Повітряний фільтр брудний.	Почистьте повітряний фільтр.
	Необхідно відрегулювати карбюратор.	Віддайте виріб у авторизований центр обслуговування для регулювання карбюратора.
Двигун перегрівається.	Занизький рівень моторної оливи.	Заправте двигун оливою.
	Недостатній потік повітря.	Прочистьте повітряний фільтр і корпус повітряного фільтра.
	Необхідно відрегулювати карбюратор.	Віддайте виріб у авторизований центр обслуговування для регулювання карбюратора.
На високій швидкості у двигуна починаються перебої із запалюванням.	Проміжок між електродами у свічці запалювання замалий.	Налаштуйте проміжок між електродами.
Незвичні шуми двигуна під час звичайного навантаження.	Неправильний тип бензину.	Спорожніть паливний бак і карбюратор. Заповніть їх бензином. Див. <i>Заправлення паливом на сторінці 410</i> . Якщо проблему не вдалося усунути, зверніться до місцевого дилера з обслуговування.
На холостому ходу двигун працює не плавно.	Свічка запалювання забруднилася чи зламалася, або проміжок між електродами завеликий.	Відрегулюйте проміжок чи замініть свічку запалювання.
	Необхідно відрегулювати карбюратор.	Відрегулюйте карбюратор.
	Повітряний фільтр брудний.	Почистьте повітряний фільтр.

Транспортування, зберігання й утилізація

Транспортування та зберігання

- У разі транспортування та зберігання виробу та пального необхідно переконатися у відсутності протікань та випарів. Іскри або відкритий вогонь, наприклад, від електричних пристроїв, можуть спричинити пожежу.
- Для зберігання та транспортування палива слід використовувати лише сертифіковані резервуари.
- Спорожніть паливний бак у разі, якщо виріб зберігатиметься протягом тривалого часу.

Утилізуйте паливо у відповідних місцях для утилізації

- Під час транспортування закріплюйте виріб безпечним чином, щоб уникнути пошкоджень та нещасних випадків.
- Зберігайте виріб у закритому приміщенні, куди не зможуть отримати доступ діти та особи без належної підготовки.
- Зберігайте виріб у сухому місці за температури нижче 0 градусів.

Утилізація

- Виконуйте місцеві вимоги та відповідні норми і правила щодо утилізації.
- Утилізуйте всі хімічні речовини на кшталт моторної оливи або палива в центрі обслуговування або у відповідних місцях для утилізації.
- Якщо виріб більше не використовується, відправте його дилеру Husqvarna або утилізуйте у відповідному місці для утилізації.

Технічні дані

Технічні характеристики

	LC 151	LC 151S	LB 251S	LB 256SP
Двигун				
Бренд	Husqvarna	Husqvarna	Husqvarna	Husqvarna
Тип двигуна	Одноциліндровий, 4-тактний, примусове повітряне охолодження, клапан розташований зверху	Одноциліндровий, 4-тактний, примусове повітряне охолодження, клапан розташований зверху	Одноциліндровий, 4-тактний, примусове повітряне охолодження, клапан розташований зверху	Одноциліндровий, 4-тактний, примусове повітряне охолодження, клапан розташований зверху
Об'єм, см ³	166	166	166	166
Частота обертання, об/хв	2800	2800	2800	2800
Номінальна потужність двигуна, кВт ¹⁹²	2,7	2,7	2,7	2,7
Система запалювання				
Свічка запалювання	Husqvarna HQT-7	Husqvarna HQT-7	Husqvarna HQT-7	Husqvarna HQT-7
Проміжок між електродами, мм	0,7-0,8	0,7-0,8	0,7-0,8	0,7-0,8
Паливна система й система змащування				
Тип змащування двигуна	Бризкання	Бризкання	Бризкання	Бризкання
Ємність паливного бака, л	1,0	1,0	1,0	1,0
Місткість бака для оливи, л	0,5	0,5	0,5	0,5
Моторна олива ¹⁹³	Husqvarna SAE 30	Husqvarna SAE 30	Husqvarna SAE 30	Husqvarna SAE 30
Вага				
Маса з порожніми баками, кг	31,1	32,6	32,0	33,1
Випромінювання шуму¹⁹⁴				

¹⁹² Вказана номінальна потужність двигуна є середньою кінцевою потужністю (за вказаного числа обертів на хвилину) типового серійного двигуна для цієї моделі, вимірююю згідно зі стандартом SAE J1349/ISO 1585. Потужність серійних двигунів може відрізнятися від цього значення. Фактична вихідна потужність двигуна, встановленого у виробі, залежить від робочої швидкості, умов навколишнього середовища та інших факторів.

¹⁹³ У разі використання оливи SAE-30 за температури нижче +5 °C існує ризик недостатнього змащування двигуна. Це може призвести до пошкодження двигуна. Див. *Заміна моторної оливи на сторінці 414* для отримання відомостей щодо оливи для низьких температур.

¹⁹⁴ Випромінювання шуму в середовище, виміряне як звукова потужність (L_{WA}), відповідає директиві ЄС 2000/14/ЄС.

	LC 151	LC 151S	LB 251S	LB 256SP
Вимірний рівень звукової потужності, дБ (А)	96	96	95	97
Гарантований рівень звукової потужності, L_{WA} , дБ(А)	98	98	96	98
Рівні звуку¹⁹⁵				
Рівень звукового тиску у вусі оператора, дБ(А)	86	86	82	86
Рівні вібрації¹⁹⁶				
Рівень вібрації в рукоятці, m/s^2	8,5	8,5	4,7	7,5
Різальне обладнання				
Висота різання, мм	25-75	25-75	25-75	25-75
Ширина зрізання, мм	510	510	510	560
Система скошування	Збирання / Bio-Clip® / викидання збоку	Збирання / Bio-Clip® / викидання збоку	BioClip® / викидання збоку	BioClip® / викидання збоку
Стандартне лезо	Збирання 598562601	Збирання 598562601	Мульчування 597683901	Мульчування 598563601
Додаткове лезо	Мульчування 597683901	Мульчування 597683901	–	–
Ємність травозбірника, літрів	65	65	–	–
Привід				
Швидкість самохідного руху, км/ч	–	3,6	4,0	3,6

¹⁹⁵ Заявлені дані про рівень шумового тиску мають стандартну статистичну розбіжність (стандартне відхилення) в 1,2 дБ(А).

¹⁹⁶ Заявлені дані щодо рівня вібрації мають стандартну статистичну розбіжність (стандартне відхилення) у 0,2 m/s^2 .

Декларація відповідності ЄС

Декларація відповідності ЄС

Ми, **Husqvarna AB**, SE-561 82 місто Хускварна, Швеція, телефон: +46-36-146500, заявляємо, що **газонокосарки Husqvarna LC 151, LC 151S, LB 251S, LB 256SP** із серійними номерами від 2020 року й наступні, відповідають вимогам ДИРЕКТИВИ РАДИ ЄС:

- від 8 червня 2011 р. «Про обмеження використання деяких небезпечних речовин» **2011/65/EU**
- від 17 травня 2006 р. «стосовно механічного обладнання» **2006/42/EC**
- від 26 лютого 2014 р. «Про електромагнітну сумісність» **2014/30/EU**
- від 8 травня 2000 р. «Про випромінювання шуму до навколишнього середовища» **2000/14/EC**

Відомості стосовно шумовипромінювання див. у розділі «Технічні дані».

Застосовано такі стандарти:

EN ISO 5395-1:2013, EN ISO 5395-1:2013/A1, EN ISO 5395-2:2013, EN ISO 5395-2:2013/A1:2016, EN ISO 5395-2:2013/A2:2017, EN ISO 14982:2009

Якщо інше не зазначено, маються на увазі останні опубліковані версії вищенаведених стандартів.

Уповноважений орган (LC 151, LC 151S, LB 256SP): **0036, TÜV SÜD Industrie Service GmbH, Westendstrasse 199, 80686 München, Germany** провів процедуру оцінки відповідності згідно з Додатком VI Директиви 2000/14/EC.

Уповноважений орган (LB 251S): **0404, RISE SMP Svensk Maskinprovning AB, Box 7035, SE-750 07 Uppsala, Sweden** провів процедуру оцінки відповідності згідно з Додатком VI Директиви 2000/14/EC.

Huskvarna, 2020-10-20



Клаес Лосдал (Claes Losdal), директор із питань розвитку / продукції для садівництва (уповноважений представник компанії Husqvarna AB, що відповідає за технічну документацію)

内容

引言.....	421	引擎故障排除.....	428
安全性.....	422	运输、存放和废弃处理.....	429
安装.....	424	技术参数.....	430
操作.....	424	欧盟一致性声明.....	432
维护.....	426		

引言

产品说明

本产品是一款步行控制式草坪机。对于 LC 151, LC 151S, 请安装集草袋, 以收集割下的草。安装侧向排草导向板, 以便侧向排草。对于 LC 151, LC 151S, 请安装地面覆盖套件, 以将草料切割成肥料。

产品概览

(图 1)

1. 手柄杆
2. 引擎制动手柄
3. 驱动杆 (LC 151S, LB 256SP)
4. 驱动拨杆 (LB 251S)
5. 后盖 (LC 151, LC 151S)
6. 集草袋 (LC 151, LC 151S)
7. 手柄高度旋钮
8. 修剪高度杆
9. 机油盖和油尺
10. 侧向排草盖
11. 消音器
12. 火花塞
13. 化油器
14. 燃油箱盖
15. 符号
16. 切割防护盖
17. 空气滤清器
18. 侧导向板
19. 地面覆盖套件 (LC 151, LC 151S 的附件)
20. 启动绳把手
21. 说明书

本产品上的符号

- (图 2) 警告！请多加小心，并正确使用本产品。这可能会对操作员或其他人造成严重伤害或死亡。
- (图 3) 请仔细阅读说明书，确保在充分理解各项说明之后再使用本产品。
- (图 4) 注意抛掷物和反弹物。
- (图 5) 确保人员和动物与工作区域保持安全距离。

预期用途

使用产品修剪草坪。切勿将产品用于其他任务。

- (图 6) 警告：使手和脚远离正在旋转的刀片。
- (图 7) 警告：使手和脚远离回转部件。
- (图 8) 执行维修或维护作业之前，务必将引擎熄火并拆下点火线。
- (图 9) 本产品符合适用的 EC 指令的要求。
- (图 10) 在环境中的噪音排放符合欧盟指令。本产品的噪音排放放在“技术资料”一章和产品标签上有详细说明。
- (图 11) 失火危险。
- (图 12) 切勿吸入废气浓烟。引擎排出的废气中含有一氧化碳，这是一种极危险的无味有毒气体。切勿在室内或密闭空间中启动引擎。
- (图 13) 高温表面。
- (图 14) 在启动产品之前，给引擎加注机油。

注意：产品上的其他符号/标识对应于某些商用领域的认证要求。

产品责任

如产品责任法律中所引用的，在以下情况下，我们对我们的产品所导致的损坏不承担责任：

- 未正确修理产品。
- 使用并非来自制造商或者未获得制造商批准的零部件修理产品。
- 产品具有并非来自制造商或者未获得制造商批准的附件。
- 未在获得批准的服务中心修理产品，或者并非由获得批准的机构修理产品。

欧五排放



警告：对发动机进行篡改将使本产品的 EU 型式检验失效。

安全性

安全定义

本手册使用了“警告”、“小心”和“注意”来指出特别重要的内容。



警告：当不遵守手册中的说明可能会给操作员或周围人员带来伤害或死亡风险时，会使用此标志。



小心：当不遵守手册中的说明可能会对产品、其他材料或附近区域造成损坏时，会使用此标志。

注意：用于提供特定状况下所需的更多信息。

一般安全须知



警告：请在使用本产品前阅读下面的警告说明。

- 如果使用不当，或者如果您不小心，则本产品非常危险。如果未遵守一般安全须知，可能会导致伤害或死亡。
- 本产品在生产期间会产生电磁场。电磁场在某些情况下会干扰有源或无源医疗植入体。为了减少严重或致命性伤害风险，我们建议使用医疗植入体的人员在操作本产品之前事先咨询其医生及医疗植入体制造商。
- 请务必多加小心，并运用常识来判断。如果您不确定在特殊情况下如何操作本产品，请停止操作并与您的 Husqvarna 经销商联系。
- 切记，操作员将对涉及他人或其财产的事故负责。
- 请保持产品清洁。确保您可以清楚地阅读标记和标签。
- 务必确保操作员已阅读并理解说明书的内容，否则不得使用本产品。
- 切勿让儿童操作本产品。
- 请让儿童远离工作区域。成人监督人必须始终在场。
- 切勿让不熟悉使用说明的人员操作产品。
- 若使用产品的人员身体能力或心智能力降低，务必对其进行监督。成人监督人必须始终在场。
- 当您感到疲倦、生病或受到酒精、麻药或药物的影响时，请勿使用本产品。这些因素会对您的视觉、警惕性、协调能力或判断力产生不良影响。
- 如果本产品有缺陷，切勿使用。
- 如果本产品可能被他人改动过，请勿再进行改动或使用。
- 不要更改引擎速度控制的设置。

工作区安全



警告：请在使用本产品前阅读下面的警告说明。

- 在使用本产品之前，请清除作业区域中的树枝、枝桠和石头等物体。
- 这些物体碰撞到切割设备会被弹出，导致人员受伤和物体损坏。确保附近人员和动物与本产品保持安全距离。
- 切勿在雾天、雨天、强风、严寒和闪电等恶劣天气下使用本产品。在恶劣天气下或潮湿地点使用本产品容易令人感到疲倦。恶劣天气会导致危险的情况，如湿滑的路面。
- 留意可能妨碍本产品安全运行的人员、物体和情况。
- 留意如树根、石头、枝桠、坑和沟渠等障碍。茂盛的草会隐藏障碍物。
- 在斜坡上割草可能非常危险。不要在坡度超过 15° 的地面上使用本产品。
- 面对斜坡操作本产品。切勿上下移动。
- 在接近隐藏的和物体时请小心谨慎，以免阻碍视线。

作业安全



警告：请在使用本产品前阅读下面的警告说明。

- 本产品仅用于切割草坪。不允许用于其他任务。
- 使用个人防护装备。请参阅 [个人防护装备在第 423 页上](#)。
- 确保您知道在紧急情况下如何快速让引擎停止工作。
- 切勿在封闭空间或易燃物品附近启动引擎。引擎排出的废气浓烟温度很高，并可能带有火花，能引发火灾。
- 除非已正确连接刀片和所有盖板，否则请勿操作本产品。未正确连接的刀片可能松动，导致人身伤害。
- 确保刀片不会碰到石头和树根等物体。这会损坏刀片，并折弯引擎轴。一旦引擎轴折弯，就会导致严重振动，同时刀片松动风险会变得极高。
- 如果刀片碰撞到任何异物或者发生振动，请立即关闭本产品。将点火线从火花塞上断开。检查本产品是否损坏。维修损坏的地方或让授权的保养厂执行维修。
- 启动引擎时，切勿将引擎制动手柄永久连接至手柄。
- 将本产品放置在稳定、平坦的地面上，然后将其启动。确保刀片不会碰撞到地面或其他物体。
- 当您操作本产品时，请始终站在本产品的后面。

- 在操作本产品时使所有车轮接触地面，并将双手放在手柄上。手和脚远离正在旋转的刀片。
- 引擎启动后，切勿倾斜本产品。
- 向后拉动本产品时请小心谨慎。
- 切勿在引擎运行时吊装本产品。如果必须吊装本产品，务必先将引擎熄火，并将点火线从火花塞上断开。
- 在操作本产品时切勿倒退行走。
- 当您在没有草的区域移动时，例如在石砾、石头和沥青道路上移动时，应将引擎熄火。
- 切勿在引擎运行时和本产品一起跑着移动。操作本产品时始终保持步行。
- 在更改修剪高度之前，请先将引擎熄火。切勿在引擎运行时进行调整。
- 切勿在引擎运行时将本产品置于视线以外的地方。将引擎熄火，确保切割设备不转动。

操作安全须知

个人防护装备



警告： 请在使用本产品前阅读下面的警告说明。

- 个人防护装备不能完全避免受伤，但当意外发生时，可降低伤害程度。请经销商协助您选择正确的防护装备。
- 如果噪声级高于 85 dB，请使用听觉保护设备。
- 穿上结实耐磨防滑靴或防滑鞋。请勿穿凉鞋或赤脚。
- 请穿上厚实长裤。
- 必要时戴上保护手套，例如在安装、检查或清洁切割设备时。

产品上的安全装置



警告： 请在使用本产品前阅读下面的警告说明。

- 切勿在安全装置有故障的情况下使用产品。
- 定期检查安全装置。如果安全装置有故障，请联系您的 Husqvarna 保养厂。

检查切割防护盖

切割防护盖可降低本产品产生的振动，并降低被刀片割伤的风险。

- 检查切割防护盖，确保没有损坏，如裂缝。

检查引擎制动手柄

引擎制动手柄可让引擎停止运行。当引擎制动手柄松开时，引擎会停止运行。

- 启动引擎，然后松开引擎制动手柄。如果引擎未能在 3 秒内停止运行，应请许可的 Husqvarna 保养厂调整引擎制动。(图 15)

检查后盖

后部导向板可降低物体被抛向操作员的危险。

- 确保后盖未损坏。
- 确保用于关闭后盖的弹簧未损坏。
- 更换损坏的弹簧和部件。
- 确保后盖能够在铰链上平稳移动。

消音器

消音器用于最大程度降低噪音并将引擎的废气浓烟导离操作人员。

如果消音器缺失或有缺陷，请勿使用本产品。消音器损坏时噪音会增大，并且有导致起火的风险。



警告： 消音器在使用期间和之后以及当引擎以怠速运转时会变得很烫。务必当心附近的易燃材料和/或烟雾，以防引起火灾。

检查消音器

- 定期检查消音器，确保其安装正确且无损坏。

燃油安全须知



警告： 请在使用本产品前阅读下面的警告说明。

- 如果产品上沾染燃油或引擎机油，切勿启动产品。去除多余的燃油/机油，使产品保持干燥。
- 如果燃油溅到衣物上，请立即更换衣物。
- 切勿使身体沾染上燃油，否则可能会导致伤害。如果燃油溅到身上，必须使用肥皂和水洗净。
- 如果引擎发生泄漏，切勿启动产品。定期检查引擎是否有泄漏。
- 请小心处理燃油。燃油易燃，油烟具有爆炸性，并且可能导致伤害或死亡。
- 切勿吸入油烟，它可能导致伤害。确保充分通风。
- 切勿在燃油或引擎附近吸烟。
- 切勿在燃油或引擎附近放置高温物体。
- 切勿在引擎运转期间添加燃油。
- 确保重新加注燃油之前，引擎处于冷却状态。
- 重新加注燃油之前，缓缓打开燃油箱盖，并小心释放压力。
- 切勿在室内为引擎添加燃油。通风不充分情况下，可能由于窒息性气体或一氧化碳的原因而导致伤害或死亡。
- 完全拧紧燃油箱盖。如果燃油箱盖没有拧紧，则有失火的风险。
- 启动之前，将产品从加油位置移开至少 3 米 / 10 英尺。
- 请勿将燃油箱完全加满油。热量会使燃油膨胀。为燃油箱顶部保留一定的空间。

维护安全须知



警告： 请在使用本产品前阅读下面的警告说明。

- 引擎排出的废气中含有一氧化碳，这是一种极危险的无味有毒气体。切勿在室内或密闭空间中启动引擎。
- 在对本产品进行任何维护之前，务必先将引擎熄火，并将点火线从火花塞拆下。
- 维护切割设备时，请戴上保护手套。刀片非常锋利，很容易造成割伤。

- 未经制造商批准加装附件或改动产品可能导致严重的伤害或死亡。切勿改动本产品。始终使用获得制造商批准的零件。
- 如未正确和定期地进行维护，导致伤害的风险和损坏产品的风险将会增加。
- 只能进行此用户手册所述的维护工作。所有其他保养操作必须由许可的 Husqvarna 保养厂完成。
- 由许可的 Husqvarna 保养厂定期对本产品进行保养。
- 更换已经损坏、磨损或破损的零件。

安装

简介



警告： 在安装本产品之前，您必须阅读并理解安全章节。



警告： 安装产品之前，先拆下火花塞中的火花塞电缆。

装配手柄

1. 按动螺钉 (A) 穿过手柄 (B)、塑料垫片 (C) 和手柄支撑架 (D)。 (图 16)
2. 完全拧紧螺母 (E)。
3. 按动螺钉 (F) 穿过垫片 (G) 和手柄支撑架。 (图 17)
4. 完全拧紧旋钮 (H)。

调节手柄

1. 松开下部旋钮。
2. 将旋钮转至本产品的左侧和右侧凹槽的下端。 (图 18)

3. 将手柄高度设置到 2 个可用位置中的其中一个。
4. 朝手柄方向向上转动旋钮，直至它们停止并且听到咔嚓声。 (图 19)
5. 完全上紧旋钮。

将产品设置在运输位置

1. 松开下部旋钮。
2. 将旋钮转至本产品的左侧和右侧凹槽的下端。 (图 18)
3. 向前折叠手柄。 (图 20)

将产品设置在工作位置

1. 将手柄折起到竖直位置。 (图 21)
2. 朝手柄方向向上转动旋钮，直至它们停止并且听到咔嚓声。 (图 19)
3. 完全上紧旋钮。

装配集草袋 (LC 151, LC 151S)

1. 将集草袋框架连接到草袋，使袋子的硬侧在下面。将框架手柄放在袋子顶部之外。 (图 22)
2. 用夹子将草袋连接至框架。 (图 23)

操作

引言



警告： 在使用本产品之前，您必须阅读并理解安全章节。

Husqvarna Connect

Husqvarna Connect 是一款可在移动设备上免费使用的应用程序。Husqvarna Connect 应用程序可为您的 Husqvarna 产品提供扩展功能：

- 扩展产品信息。
- 关于帮助、产品零件和保养的信息。

开始使用 Husqvarna Connect

1. 将 Husqvarna Connect 应用程序下载至您的移动设备。
2. 在 Husqvarna Connect 应用程序中注册。
3. 执行 Husqvarna Connect 应用程序中的说明步骤以连接并注册产品。

操作产品之前

1. 请认真阅读本说明书，确保您充分理解各项说明。
2. 检查切割设备，确保其连接正确且调整得当。请参阅 *润滑切割设备* 在第 427 页上。
3. 加注燃油箱。请参阅 *添加燃油* 在第 425 页上。
4. 加注机油箱并检查机油油位。请参阅 *检查机油油位* 在第 427 页上。

添加燃油

如果可行，请使用低排放/烷基化汽油。如果没有低排放/烷基化汽油，可使用优质无铅汽油或辛烷值不低于 90 的含铅汽油。



小心：切勿使用辛烷值低于 90 RON (87 AKI) 的汽油。这可能导致损坏产品。

1. 缓慢打开燃油箱盖以释放压力。
2. 用燃油罐慢慢加油。如果有燃油溅出，请用布擦拭，然后让剩余的燃油挥发掉。(图 24)
3. 将燃油箱盖四周清理干净。
4. 完全拧紧燃油箱盖。如果燃油箱盖没有拧紧，则有失火的风险。
5. 启动之前，将产品从加油位置移开至少 3 m (10 ft)。

设置修剪高度

1. 向后移动修剪高度调节杆，增加修剪高度。
2. 向前移动修剪高度调节杆，降低修剪高度。(图 25)



小心：切勿将修剪高度设置得太低。如果草坪表面不平，刀片可能会碰到地面。

启动产品

1. 确保将点火线连接至火花塞中。
2. 站在本产品后面。
3. 握住引擎制动手柄，使其紧靠手柄杆。(图 26)
4. 用右手握住启动绳把手。
5. 慢慢拉出启动绳，直到感觉到有阻力。
6. 用力拉启动绳，以启动引擎。



警告：切勿将启动器绳绕在手上。

使用车轮上的驱动装置 LC 151S & LB 256SP

- 朝手柄杆方向推动驱动杆。(图 27)
- 松开驱动杆以脱离驱动装置，例如，当您靠近障碍物时。
- 在向后拉动产品之前，松开驱动装置，然后将产品向前推动约 10 cm。

使用车轮上的驱动装置 (LB 251S)

- 朝手柄杆方向拉动驱动拨杆。(图 28)
- 将驱动拨杆从手柄杆推开，以分离驱动装置，例如当您靠近障碍物时。

注意：当您松开引擎制动手柄时，驱动拨杆会自动分离。

- 向后拉动产品之前，请将驱动拨杆从手柄杆推开，然后将产品向前推约 10 厘米，以完全分离驱动装置。

关闭产品

- 要仅停止驱动装置，请松开驱动杆 (LC 151S, LB 256SP) 或驱动拨杆 (LB 251S)。
- 要将引擎熄火，请松开引擎制动手柄。

将产品与集草袋配合使用 (LC 151, LC 151S)



警告：请勿在未安装集草袋或未关闭后盖的情况下操作产品。可能会抛出物体，导致操作员受伤。

1. 抬起后盖，然后拆下地面覆盖插件 (如已安装)。(图 29)
2. 组装集草袋，请参见 *装配集草袋 (LC 151, LC 151S)* 在第 424 页上。
3. 将集草袋放在支架上。
4. 松开后盖并将其放在草袋框架的顶部。(图 30)

将产品更改为地面覆盖模式 (LC 151, LC 151S)

在将产品更改为地面覆盖模式之前，确保引擎已关闭。

1. 抬起后盖，然后拆下集草袋 (如已安装)。
2. 将地面覆盖插件插入到卸草通道中。(图 31)
3. 关上后盖，确保其紧靠在地面覆盖插件上。
4. 使用地面覆盖套件中提供的覆盖刀片更换刀片。请参阅 *更换刀片* 在第 427 页上。

将产品更改为侧向排草模式

1. 抬起后盖，然后拆下草袋 (如已安装)。
2. 关上后盖，确保其紧靠在产品上。
3. 提起排草锁。(图 32)
4. 打开侧向排草盖，并将侧向排草导向板安装到支撑杆上。(图 33)
5. 让侧向排草盖紧靠在侧向排草导向板上。操作产品前，确保侧向排草导向板已牢固就位。

清空集草袋



小心：移动集草袋时请将它提起，以防磨损。

1. 使用框架手柄提起集草袋。
2. 清空集草袋时，请使用框架手柄和袋子手柄。(图 34)

为获得良好的作业效果

- 务必使用锐利的刀片。钝刀片会产生不规则的结果，且草的切割表面会变黄。此外，锐利的刀片比钝刀片更加节能。

- 修剪高度不得超过草长的 $\frac{1}{3}$ 。开始割草时，请使用最大修剪高度。检查结果，将修剪高度降低到合适的水平。如果草非常长，请缓慢操作，必要时割 2 次。
- 每次的修剪方向不应相同，以防止草坪上出现条纹。

- 抬起后盖，拆下集草袋。
- 如果已连接地面覆盖插件和覆盖刀片，请将其卸下。
- 在操作本产品之前，关闭后盖。在操作本产品时，割下的草将在后盖下方排出。

维护

引言



警告： 进行维护之前，您必须阅读并理解安全须知章节。

要对本产品执行任何保养和维修工作，都需要经过特殊培训。我们承诺提供专业的维修和保养。如果您的经销商不是保养代理商，请联系该经销商以获取离您最近的保养代理商的信息。

维护时间表



小心： 倾斜产品时，确保空气滤清器朝上，不要靠在地面上。存在损坏引擎的风险。

维护间隔在产品每天使用的情况下计算得出。如果产品并非每天使用，维护间隔会有所不同。

对于带有 * 标记的维护作业，请参阅 *产品上的安全装置* 在第 423 页上的说明。

维护	每天	每月	每个季节
执行一般性检查	X		
检查机油油位	X		
更换机油 (首次使用 5 小时后更换, 之后每使用 50 小时更换一次) 197			X
清洁本产品	X		
检查切割设备	X		
检查切割防护盖*	X		
检查引擎制动手柄*	X		
检查消音器*		X	
检查火花塞。必要时请清洁或更换火花塞			X
检查空气滤清器	X		
清洁空气滤清器 198		X	
更换空气滤清器			X
检查燃油系统			X
清洁汽缸上的散热片		X	
检查并调整离合器拉线 (LC 151S, LB 251S, LB 256SP)			X
清洁变速器盖板下方 (LB 251S)			X

进行一般性检查

- 确保产品上的所有螺母和螺丝都已正确上紧。

清洁本产品的外部

- 用刷子清除树叶、草和污垢。

- 确保引擎顶部的进气口畅通无阻
- 不要使用高压清洗机清洁产品。
- 如果用水清洁本产品，切勿用水直接冲洗引擎。

清洁切割防护盖的内表面

1. 排空燃油箱。

¹⁹⁷ 如果本产品在重载或高环境温度下操作，请每 25 小时更换一次发动机油。

¹⁹⁸ 在多尘环境或存在气载散落物的条件下使用时，请更频繁地进行清洁。如果空气滤清器非常脏，请予以更换。

2. 倾斜产品。确保火花塞朝上。



小心：如果以空气滤清器朝下的方式放置本产品，可能导致引擎损坏。

3. 用水冲洗切割防护盖的内表面。

清洁变速器盖下方 (LB 251S)

1. 排空燃油箱。
2. 倾斜产品。确保火花塞朝上。



小心：如果以空气滤清器朝下的方式放置本产品，可能导致引擎损坏。

3. 拆下 7 颗螺丝。(图 35)
4. 拆下变速器盖。
5. 用刷子清洁表面。



小心：变速器盖下方的水或污染物可能会损坏变速器。

6. 安装变速器盖和 7 颗螺丝。

润滑切割设备



警告：为防止意外启动，请将点火线从火花塞上拆下。



警告：维护切割设备时，请戴上保护手套。刀片非常锋利，很容易造成割伤。

1. 检查切割设备是否有损坏或裂痕。务必更换损坏的切割设备。
2. 检查刀片，查看是否损坏或变钝。

注意：每次磨利刀片后，必须对刀片进行平衡调整。让维修中心磨利、更换和平衡刀片。如果您撞到障碍物并导致本产品停止运行，请更换损坏的刀片。让维修中心评估刀片能否磨利还是必须更换。

更换刀片

1. 使用木块锁定刀片。(图 36)
2. 拆下刀片螺栓。
3. 拆下刀片。
4. 检查刀片支撑和刀片螺栓，查看是否有损坏。
5. 检查发动机轴，确保其未弯曲。
6. 安装新刀片时，请将刀片的倾斜端指向切割防护盖的方向。(图 37)
7. 确保刀片与发动机轴中心对准。
8. 使用木块锁定刀片。连接弹簧垫片，并用 43 – 47 Nm 扭矩拧紧螺丝和垫片。(图 38)

9. 用手拉住刀片旋转，确保刀片转动自如。



警告：请佩戴耐磨手套。刀片非常锋利，很容易割到手。

10. 启动本产品以测试刀片。如果刀片未正确安装，则本产品中存在振动，或切割结果令人不满意。

检查机油油位



小心：如果油位过低，可能导致引擎损坏。启动本产品之前，请先检查油位。

1. 将产品置于平坦地面上。
2. 拆下带有油尺的机油箱盖。
3. 清洁油尺上的机油。
4. 将油尺完全放入机油箱，以便获得正确的油位显示。
5. 拆下油尺。
6. 检查油尺上的油位。
7. 如果油位过低，加注引擎机油后再次检查油位。

更换引擎油



警告：引擎刚停止运行时，引擎油的温度会非常高。待引擎冷却后再排空发动机油。如果引擎油溅在皮肤上，请用肥皂和水清洗。

(图 39)

1. 操作产品，直至燃油箱无油。
2. 从火花塞上拆下点火线。
3. 拧下油箱盖。
4. 在产品下方放一个容器，以收集引擎油。
5. 倾斜产品，从油箱中排放引擎油。
6. 加注 *技术参数* 在第 430 页上中推荐的相应类型的新引擎油。
7. 检查油位。请参阅 *检查机油油位* 在第 427 页上。

检查火花塞



小心：务必使用建议的火花塞类型。火花塞类型不正确可能导致产品损坏。

- 如果引擎动力不足，请检查火花塞是否不容易启动或者怠速时是否运行不正确。
- 为降低在火花塞电极上出现多余物质的风险，请遵循这些说明：
 - a) 确保已正确调节怠速。
 - b) 确保混合燃油正确。
 - c) 确保空气滤清器清洁。
- 如果火花塞脏污，请进行清洁并确保电极间隙正确，请参阅 *技术参数* 在第 430 页上。(图 40)
- 必要时请更换火花塞。

空气滤清器

脏污的空气滤清器可能会导致引擎损坏或无法正常工作。在多尘条件下，要更频繁地维护空气滤清器。有关何时要更换空气滤清器的信息，请参阅 *维护* 在第 426 页上。

注意： 务必更换损坏的空气滤清器。

拆卸和安装空气滤清器



警告： 使用防护手套。

1. 将卡夹按压到空气滤清器外壳上。
2. 从引擎上小心地拆下空气滤清器外壳 (A)。
3. 拆下空气滤清器 (B)。(图 41)
4. 检查空气滤清器是否损坏。更换损坏的空气滤清器。
5. 清洁并检查空气滤清器。请参阅 *清洁空气滤清器* 在第 428 页上。
6. 按照相反的顺序安装。

清洁空气滤清器

脏污的空气滤清器可能会导致引擎损坏或无法正常工作。在多尘条件下，要更频繁地维护空气滤清器。

有关何时要更换空气滤清器的信息，请参阅 *维护* 在第 426 页上。

1. 拆下空气滤清器罩，然后拆下滤清器。
2. 通过在平整表面上轻叩的方式来清洁滤清器。请勿使用含石油、煤油的溶剂清洁滤清器，亦不要使用压缩空气清洁。

注意： 无法彻底清洁使用时间很长的空气滤清器。定期更换空气滤清器。损坏的空气滤清器一定要换新。

3. 装配空气滤清器时，确保其完全密封在滤清器支架上。

检查侧向排草导向板

侧向排草导向板连接至产品的侧向排草口。它可降低物体被抛向操作员割草位置的风险。

1. 确保侧向排草导向板未损坏。
2. 检查侧向排草导向板。确保在用于关闭门的弹簧上未发现裂纹或断裂等缺陷。
3. 如果侧向排草导向板或弹簧损坏，请予以更换。

检查燃油系统

- 检查燃油箱盖和燃油箱盖的密封，确保没有损坏。
- 检查油管，确保不漏油。如果油管损坏，请让保养厂进行更换。

调节离合器拉线 (LC 151S, LB 251S, LB 256SP)

对于以下情况，需要缩短离合器拉线的长度：

- 拉动驱动杆或速度控制杆时车轮的驱动装置无法接合。
- 车轮驱动装置接合时产品移动缓慢。

对于以下情况，需要增加离合器拉线的长度：

- 车轮驱动装置未接合时产品移动。
- 调节离合器拉线。
 - a) 要缩短离合器拉线的长度，请逆时针转动调节螺丝。
 - b) 要增加离合器拉线的长度，请顺时针转动调节螺丝。(图 42)

如果在调整后产品仍无法令人满意地行驶，请咨询保养代理商

引擎故障排除

问题	可能原因	解决方案
引擎不启动。	点火线未正确连接。	将点火线连接到火花塞。
	燃油箱无油。	向燃油箱中注入正确类型的燃油。
	燃油陈旧。	排空燃油箱和化油器。加入新的汽油。
	化油器或燃油管路中有污垢。	清洁化油器和/或燃油管路。
	火花塞有故障。	调整电极间隙，清洁或更换火花塞。
	火花塞上有燃油。	清洁火花塞。
引擎不熄火。	停止机构有故障。	将点火线从火花塞上断开。让许可保养厂维修本产品。

问题	可能原因	解决方案
引擎运行不平稳。	点火线未正确连接。	将点火线连接到火花塞。
	燃油管中有污垢或燃油已过期。	清洁燃油管路。向燃油箱中加注正确类型的新燃油。
	燃油箱盖内堵塞。	清洁燃油箱盖。
	燃油系统内有水或污垢。	排空燃油箱。向燃油箱中加注正确类型的新燃油。
	空气滤清器不干净。	清洁空气滤清器。
	必须调整化油器。	请保养代理商调整化油器。
引擎过热。	引擎机油的油位过低。	注入引擎机油。
	气流不足。	清洁空气滤清器和空气滤清器外壳。
	必须调整化油器。	请保养代理商调整化油器。
当引擎高速运转时，引擎失火。	火花塞中的电极间隙过小。	调整电极间隙。
正常负载期间引擎发出异常噪音。	汽油类型不正确。	排空燃油箱和化油器。加入新的汽油。请参阅添加燃油在第 425 页上。如果问题仍然存在，请联系您当地的保养代理商。
引擎在怠速下工作不平稳。	火花塞不干净、发生故障或电极间隙过宽。	调整电极间隙或更换火花塞。
	必须调整化油器。	调整化油器。
	空气滤清器不干净。	清洁空气滤清器。

运输、存放和废弃处理

运输及存放

- 存放和运输产品和燃油时，确保不存在泄漏或烟雾。火花或明火（例如来自电气设备或锅炉等）可能引发火灾。
- 务必使用获得批准的容器存放和运输燃油。
- 将产品长期存放前，先清空燃油箱。在适当的处置地点处理燃油
- 在运输过程中安全地固定产品，以防止损坏和发生事故。
- 将产品放在上锁的区域，以防止儿童或他人擅自触碰。
- 将本产品存放在干燥、防冻的区域。

废弃处理

- 遵守当地的回收要求和适用的法规。
- 在服务中心或适当的处置地点处理所有化学品，如机油或燃油。
- 当产品不再可用时，将其发送给 Husqvarna 经销商或送至回收点处理。

技术参数

技术参数

	LC 151	LC 151S	LB 251S	LB 256SP
引擎				
品牌	Husqvarna	Husqvarna	Husqvarna	Husqvarna
引擎类型	单汽缸, 4 冲程, 强制风冷, 顶置气门 (OHV)	单汽缸, 4 冲程, 强制风冷, 顶置气门 (OHV)	单汽缸, 4 冲程, 强制风冷, 顶置气门 (OHV)	单汽缸, 4 冲程, 强制风冷, 顶置气门 (OHV)
排量, cm ³	166	166	166	166
速度, rpm	2800	2800	2800	2800
标称引擎输出, kW ¹⁹⁹	2.7	2.7	2.7	2.7
点火系统				
火花塞	Husqvarna HQT-7	Husqvarna HQT-7	Husqvarna HQT-7	Husqvarna HQT-7
电极间隙 (mm)	0.7-0.8	0.7-0.8	0.7-0.8	0.7-0.8
燃油和润滑系统				
引擎润滑类型	飞溅	飞溅	飞溅	飞溅
燃油箱容量 (L)	1.0	1.0	1.0	1.0
机油箱容量 (L)	0.5	0.5	0.5	0.5
引擎油 ²⁰⁰	Husqvarna SAE 30	Husqvarna SAE 30	Husqvarna SAE 30	HusqvarnaSAE 30
重量				
(油箱均排空时), kg	31.1	32.6	32.0	33.1
噪音排放²⁰¹				
声功率级 (测量值), dB (A)	96	96	95	97
声功率级 (保证值), L _{WA} dB (A)	98	98	96	98
声级²⁰²				
操作员耳旁的声压级, dB (A)	86	86	82	86
振动水平²⁰³				
手柄杆振动, m/s ²	8.5	8.5	4.7	7.5

¹⁹⁹ 标注的引擎功率额定值为引擎型号对应的典型生产引擎在指定转速下的平均净输出功率, 根据 SAE 标准 J1349/ISO1585 测量。批量生产引擎的该数值可能有所不同。最终产品中所安装引擎的实际功率输出将取决于运行速度、环境条件及其他值。

²⁰⁰ 如果在低于 +5 °C 的温度下使用 SAE-30 机油, 存在无法充分润滑发动机的风险。这会损坏发动机。请参阅 [更换引擎油](#) 在 [第 427 页](#) 上以了解适合在低温下使用的正确机油。

²⁰¹ 环境噪音排放以声功率 (L_{WA}) 量测, 符合 EC 指导文件 2000/14/EC 的要求。

²⁰² 噪音音压级的上报数据中具有一个 1.2 dB(A) 的典型统计偏差 (标准偏差)。

²⁰³ 等效振动水平的报告数据中具有 0.2 m/s² 的典型统计偏差 (标准偏差)。

	LC 151	LC 151S	LB 251S	LB 256SP
切割设备				
修剪高度, mm	25-75	25-75	25-75	25-75
割幅, mm	510	510	510	560
割草系统	Collection / Bio-Clip® / 侧向排草	Collection / Bio-Clip® / 侧向排草	BioClip® / 侧向排草	BioClip® / 侧向排草
刀片 - 标准	Collection 598562601	Collection 598562601	Mulch 597683901	Mulch 598563601
刀片 - 附件	Mulch 597683901	Mulch 597683901	-	-
集草袋容量, 升	65	65	-	-
驱动				
自行移动速度, km/h	-	3.6	4.0	3.6

欧盟一致性声明

欧盟一致性声明

Husqvarna AB, SE-561 82 Huskvarna, Sweden, 电话 :
+46-36-146500 , 声明自 2020 年和以后的**草坪机**
Husqvarna LC 151, LC 151S, LB 251S, LB 256SP 符合
理事会指令的要求 :

- 2011 年 6 月 8 日“关于限制使用某些有害物质”的指令
2011/65/EU
- 2006 年 5 月 17 日“关于机械”的指令 **2006/42/EC**。
- 2014 年 2 月 26 日“关于电磁兼容性”的指令
2014/30/EU
- 2000 年 5 月 8 日“关于环境噪音释放”的指令
2000/14/EC

关于噪音释放信息 , 请参阅技术资料。

适用标准如下 :

**EN ISO 5395-1:2013, EN ISO 5395-1:2013/A1, EN ISO
5395-2:2013, EN ISO 5395-2:2013/A1:2016, EN ISO
5395-2:2013/A2:2017, EN ISO 14982:2009**

如果未做其他说明 , 那么以上所列各项标准皆为最新发布
的版本。

认证机构 (LC 151, LC 151S, LB 256SP) : **0036, TÜV
SÜD Industrie Service GmbH, Westendstrasse 199,
80686 München, Germany** 已按照 2000/14/EC 指令附录
VI 执行了合规性评估。

认证机构 (LB 251S) : **0404, RISE SMP Svensk
Maskinprovning AB, Box 7035, SE-750 07 Uppsala,
Sweden** 已按照 2000/14/EC 指令附录 VI 执行了合规性
评估。

Huskvarna, 2020-10-20



Claes Losdal, 开发经理/园林产品 (Husqvarna AB 授权
代表 , 负责技术文档编制事务)



www.husqvarna.com

Original instructions
Оригинални инструкции
Původní pokyny
Originale instruktioner
Originalanweisungen
Αρχικές οδηγίες
Instrucciones originales
Originaaljuhend
Alkuperäiset ohjeet
Instructions d'origine
Originalne upute
Eredeti útmutatás
Istruzioni originali
取扱説明書原本
Originalios instrukcijos

Lietošanas pamācība
Originale instructies
Originale instruksjoner
Oryginalne instrukcje
Instruções originais
Instruçiuni inițiale
Оригинальные инструкции
Põvodné pokyny
Izvirna navodila
Originalna uputstva
Bruksanvisning i original
Orijinal talimatlar
Оригинальні інструкції
原始说明

1142430-38



2021-01-08